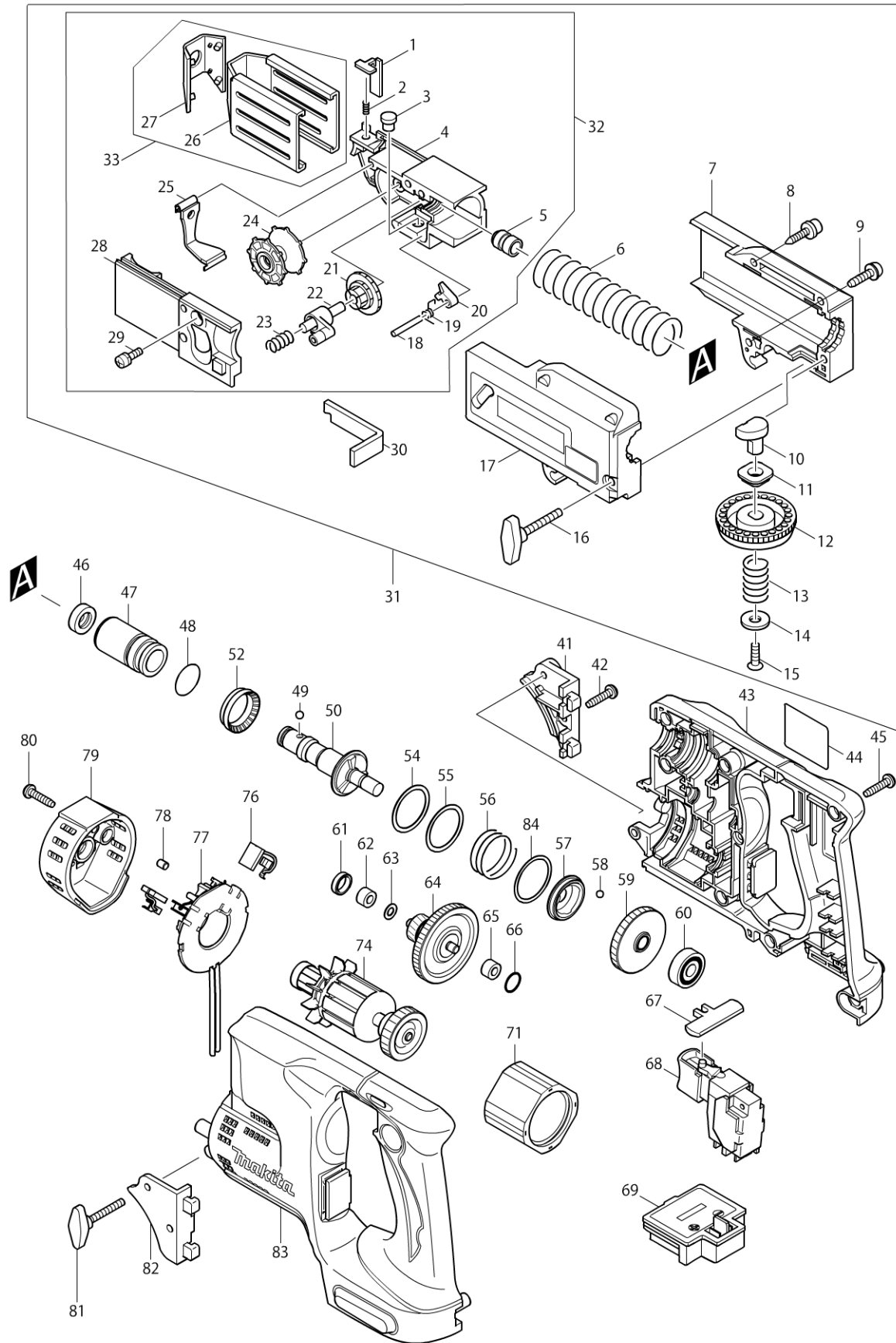


Model No. DFR450X CORDLESS AUTO FEED SCREWDRIVER



Model No. DFR450X CORDLESS AUTO FEED SCREWDRIVER

Item	Parts No.	Description	I/C	Qty	N/O	Opt. 1	Opt. 2	Note
001	344625-3	LEVER		1				
002	233211-4	COMPRESSION SPRING 2		1				
003	256451-7	PIN 6		1				
004	416500-4	FEEDER BOX		1				
005	257685-5	SLEEVE 5		1				
006	233209-1	COMPRESSION SPRING 21		1				
007	182994-2	CASING SET		1				
C10	818553-3	INDICATION LABEL		1				
C20	816282-2	INDICATION LABEL		1				
C30	818843-4	INDICATION LABEL		1				
D10		INC. 17						
008	266045-0	TAPPING SCREW 4X20		2				
009	266020-6	TAPPING SCREW 4X12		1				
010	310091-6	SHIFTER PIN		1				
011	257686-3	SLEEVE 8		1				
012	417056-0	DIAL 42		1				
013	213105-9	O RING 11		1				
014	267201-5	FLAT WASHER 6		1				
015	912117-6	COUNTERSUNK HEAD SCREW M4X1		1				
016	265779-2	THUMB SCREW M4X28		1				
017	182994-2	CASING SET		1				
C10	818553-3	INDICATION LABEL		1				
C20	816282-2	INDICATION LABEL		1				
C30	818843-4	INDICATION LABEL		1				
D10		INC. 7						
018	256158-5	PIN 3		1				
019	231636-6	TORSION SPRING 4		1				
020	310062-3	STOPPER		1				
021	226344-2	SPUR GEAR 16		1				
022	152580-3	RATCHET ARM COMPLETE		1				
023	233212-2	COMPRESSION SPRING 6		1				
024	416518-5	WHEEL		1				
025	162201-9	DUST COVER		1				
026	344628-7	STOPPER BASE		1				
027	421617-0	CAP		1				
028	152581-1	BOX COVER COMPLETE		1				
029	911133-5	PAN HEAD SCREW M4X18		1				
030	344626-1	PLATE		1				
031	193024-4	CASING ASS'Y		1				
D10		INC. 1-30						
032	192853-2	FEEDER BOX ASS'Y		1				
D10		INC. 1-5,18-29						
033	152676-0	STOPPER BASE COMPLETE		1				
D10		INC. 26,27						
041	188040-9	SCREW GUIDE SET		1				
D10		INC. 82						
042	265995-6	TAPPING SCREW 4X18		1				
043	187478-5	HOUSING SET		1				

Please order the parts with a part number.

Print Date 30/12/2014

Model No. DFR450X CORDLESS AUTO FEED SCREWDRIVER

Item	Parts No.	Description	I/C	Qty	N/O	Opt. 1	Opt. 2	Note
D10		INC. 83						
044	850D68-8	DFR450X NAME PLATE		1				
045	265995-6	TAPPING SCREW 4X18		9				
046	421467-3	DUST COVER		1				
047	214173-5	PLANE BEARING 14		1				
048	213262-3	O RING 18		1				
049	216001-0	STEEL BALL 3.5		1				
050	324808-1	SPINDLE B		1				
052	421927-5	SLEEVE 20		1				
054	267331-2	FLAT WASHER 25		1				
055	267331-2	FLAT WASHER 25		1				
056	234017-3	COMPRESSEION SPRING 25		1				
057	223169-5	CLUTCH CAM C		1				
058	216008-6	STEEL BALL 4		3				
059	226670-9	HELICAL GEAR 48		1				
060	211034-0	BALL BEARING 608		1				
061	165115-1	RUBBER SLEEVE 10		1				
062	214017-9	PLANE BEARING 5		1				
063	253811-4	FLAT WASHER 5		1				
064	154937-4	GEAR COMPLETE 18-44		1				
065	214017-9	PLANE BEARING 5		1				
066	213055-8	O RING 10		1				
067	419304-3	F/R CHANGE LEVER		1				
068	650670-1	SWITCH TG513SBA-2		1				
069	643860-3	TERMINAL		1				
071	638426-2	YOKE UNIT		1				
074	619216-2	ARMATURE		1				
076	194427-5	CARBON BRUSH CB-440		1				
077	638433-5	BRUSH HOLDER COMPLETE		1				
C10	231696-8	TORSION SPRING R		1				
C20	231697-6	TORSION SPRING L		1				
078	263032-0	RUBBER PIN 4		2				
079	419307-7	FRONT COVER		1				
080	265995-6	TAPPING SCREW 4X18		2				
081	265779-2	THUMB SCREW M4X28		1				
082	188040-9	SCREW GUIDE SET		1				
D10		INC. 41						
083	187478-5	HOUSING SET		1				
D10		INC. 43						
084	267332-0	FLAT WASHER 26		1				
A01	281217-6	HOOK		1				
A02	784247-1	+ BIT 2-127		3				
A03A	***DC18RC	DC18RC FAST CHARGER		1				
A04A	196399-0	BATTERY BL1840 SET		2	*			
A04-1A	196399-0	BATTERY BL1840 SET	O	2				
A05A	142077-0	CONNECTOR P.CASE(TYPE3) COMP.		1				
C10	453974-8	LATCH		4				
A06A	450128-8	BATTERY COVER		2				

Please order the parts with a part number.

Print Date 30/12/2014

