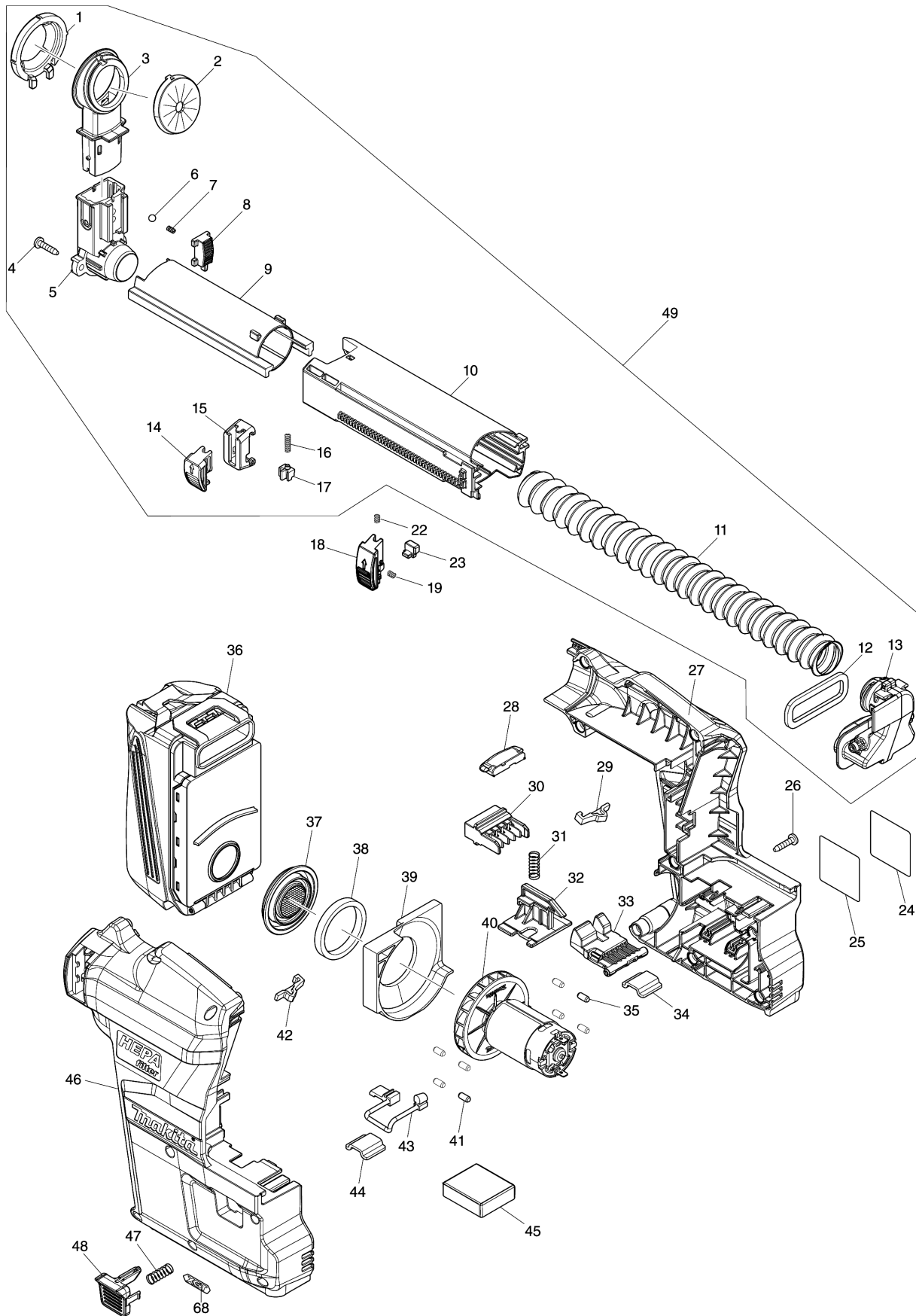
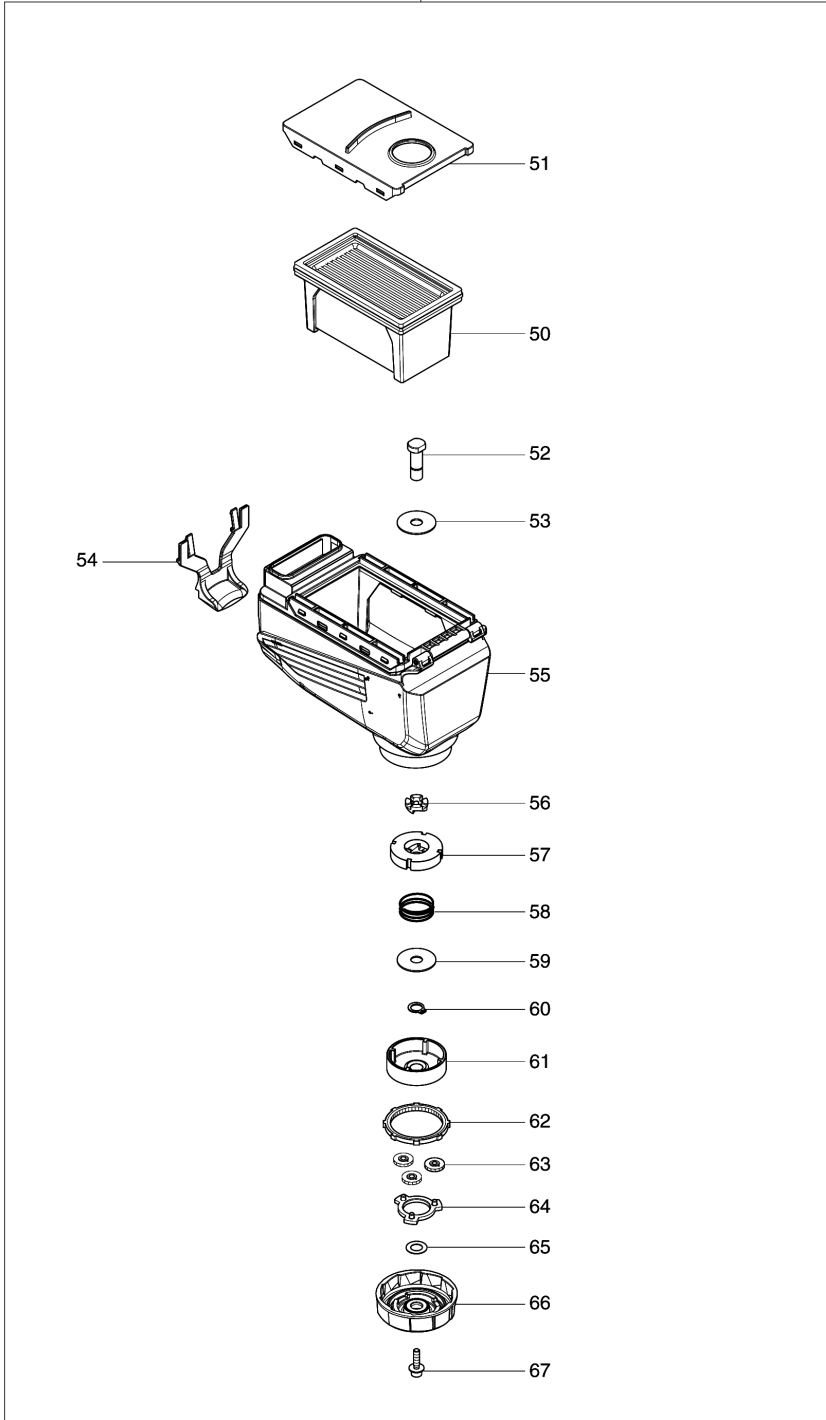


# Model No.DX14 DUST COLLECTION SYSTEM



Model No.DX14 DUST COLLECTION SYSTEM

36



Model No.DX14 DUST COLLECTION SYSTEM

Item	Parts No.	Description	I/C	Qty	New/Old	Opt. 1	Opt. 2	Note
001	424722-2	FITTING RUBBER		1				
002	424474-5	SEALING CAP		1				
003	458291-1	COLLECTOR		1				
004	266326-2	TAPPING SCREW 4X18		2				
005	458288-0	COLLECTOR BASE		1				
006	216002-8	STEEL BALL 4.8		1				
007	233314-4	COMPRESSION SPRING 4		1				
008	458292-9	LOCK LEVER B		1				
009	459597-0	SLIDE PIPE A		1				
010	459599-6	SLIDE PIPE C		1				
011	245045-3	HOSE 30		1				
012	423425-5	SPONGE SHEET B		1				
013	458285-6	INNER PIPE		1				
014	459776-0	SLIDE LEVER A		1				
015	459775-2	STOPPER BASE		1				
016	234227-2	COMPRESSION SPRING 3		1				
017	453702-1	RACK A		1				
018	136179-2	SLIDE LEVER B ASSY		1				
019	232427-8	COMPRESION SPRING 2		1				
022	232428-6	COMPRESION SPRING 3		1				
023	453139-2	RACK B		1				
024	890995-3	CLEAR LABEL		1				
026	266326-2	TAPPING SCREW 4X18		8				
027	183N51-3	HOUSING SET		1				
D10		INC. 46						
028	620283-2	LED CIRCUIT		1				
029	422248-8	CUSHION		1	*			
030	632L45-8	CONNECTOR		1				
031	234228-0	COMPRESSION SPRING 6		1				
032	459591-2	LIFT PLATE		1				
033	459592-0	HOOK		1				
034	346539-2	GUIDE PLATE		1				
035	263025-7	RUBBER PIN 4		4				
036	199555-1	DUST CASE SET		1				
D10		INC. 50-67						
037	453171-6	FILTER PLATE		1				
038	423427-1	SPONGE SHEET C		1				
039	453143-1	BAFFLE PLATE		1				
040	140M02-3	MOTOR COMPLETE		1				
041	263025-7	RUBBER PIN 4		4				
042	422248-8	CUSHION		1	*			
043	424486-8	EARTH RUBBER		1				

Please order the parts with part number.

Print Date 18/3/2020

Model No.DX14 DUST COLLECTION SYSTEM

Item	Parts No.	Description	I/C	Qty	New/Old	Opt. 1	Opt. 2	Note
044	346539-2	GUIDE PLATE		1				
045	620C36-7	CONTROLLER		1				
C10	654069-2	RECEPTACLE		2				
C20	654281-4	RECEPTACLE		4				
046	183N51-3	HOUSING SET		1				
D10		INC. 27						
047	234228-0	COMPRESSION SPRING 6		1				
048	459595-4	PUSH BUTTON		1				
049	136181-5	SLIDE PIPE ASSY		1				
D10		INC. 1-17						
050	199557-7	FILTER SET		1				
051	453150-4	FILTER COVER		1				
052	327221-2	SHAFT		1				
053	253431-4	FLAT WASHER 8		1				
054	453148-1	RELEASE LEVER		1				
055	140G89-9	DUST CASE COMPLETE		1				
C10	256533-5	ROD 2.5		1				
C20	423426-3	SPONGE SHEET A		1				
C30	453149-9	FILTER BASE		1				
056	310918-0	CAM		1				
057	310919-8	HAMMER		1				
058	232482-0	COMPRESSION SPRING 21		1				
059	253431-4	FLAT WASHER 8		1				
060	961004-6	RETAINING RING S-8		1				
061	226856-5	SUPER GEAR 17		1				
062	226857-3	INTERNAL GEAR 49		1				
063	226855-7	SUPER GEAR 15		3				
064	140F90-8	CARRIER COMPLETE		1				
065	253430-6	FLAT WASHER 8		1				
066	140H88-7	DIAL COMPLETE		1				
C10	422431-7	SPONGE SHEET		1				
067	922129-1	H.S.H.BOLT M4X16 WITH WG		1				
068	8005T5-8	XGT LOGO LABEL		1				
A01	424474-5	SEALING CAP		5				

Please order the parts with part number.

Print Date 18/3/2020