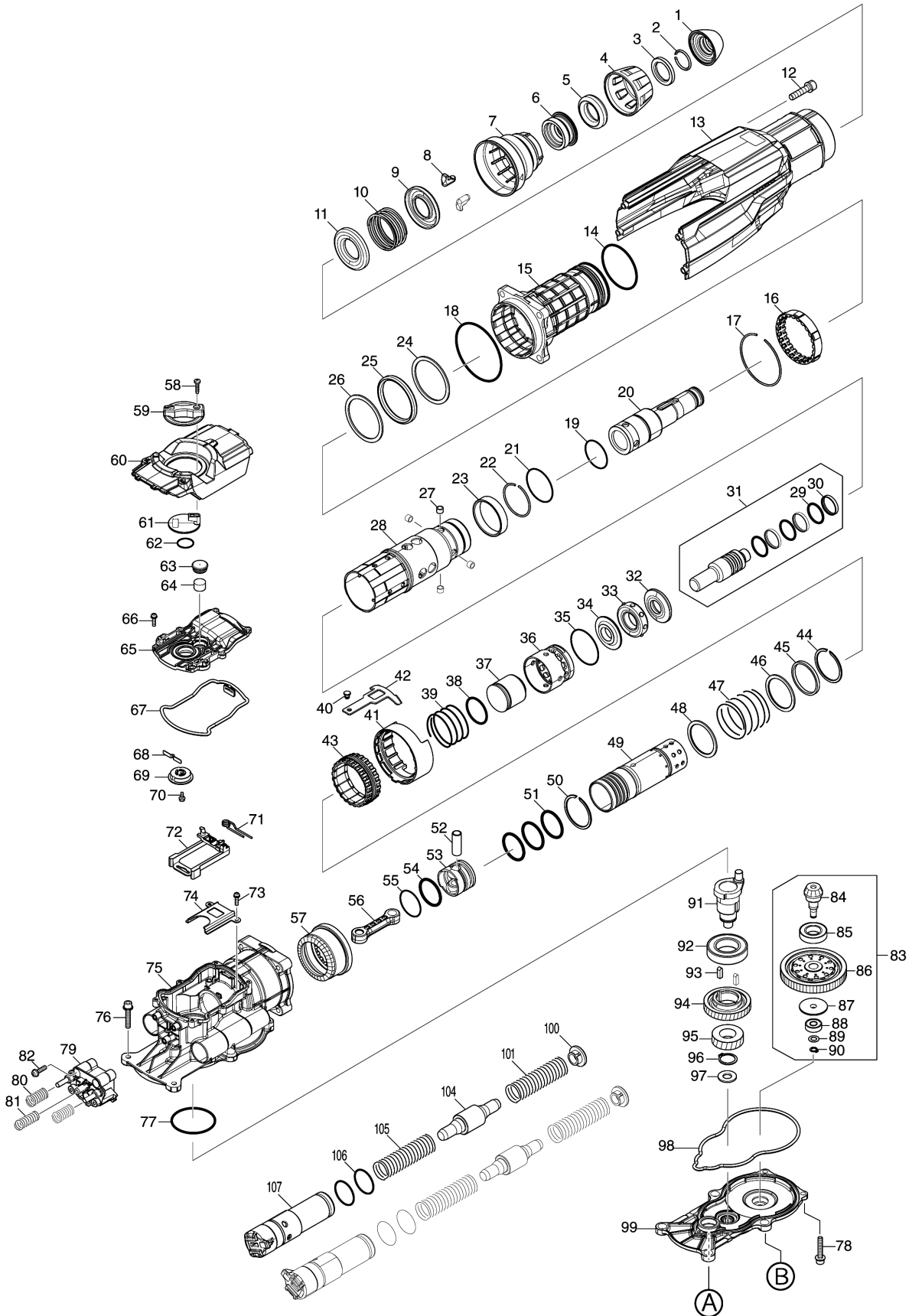
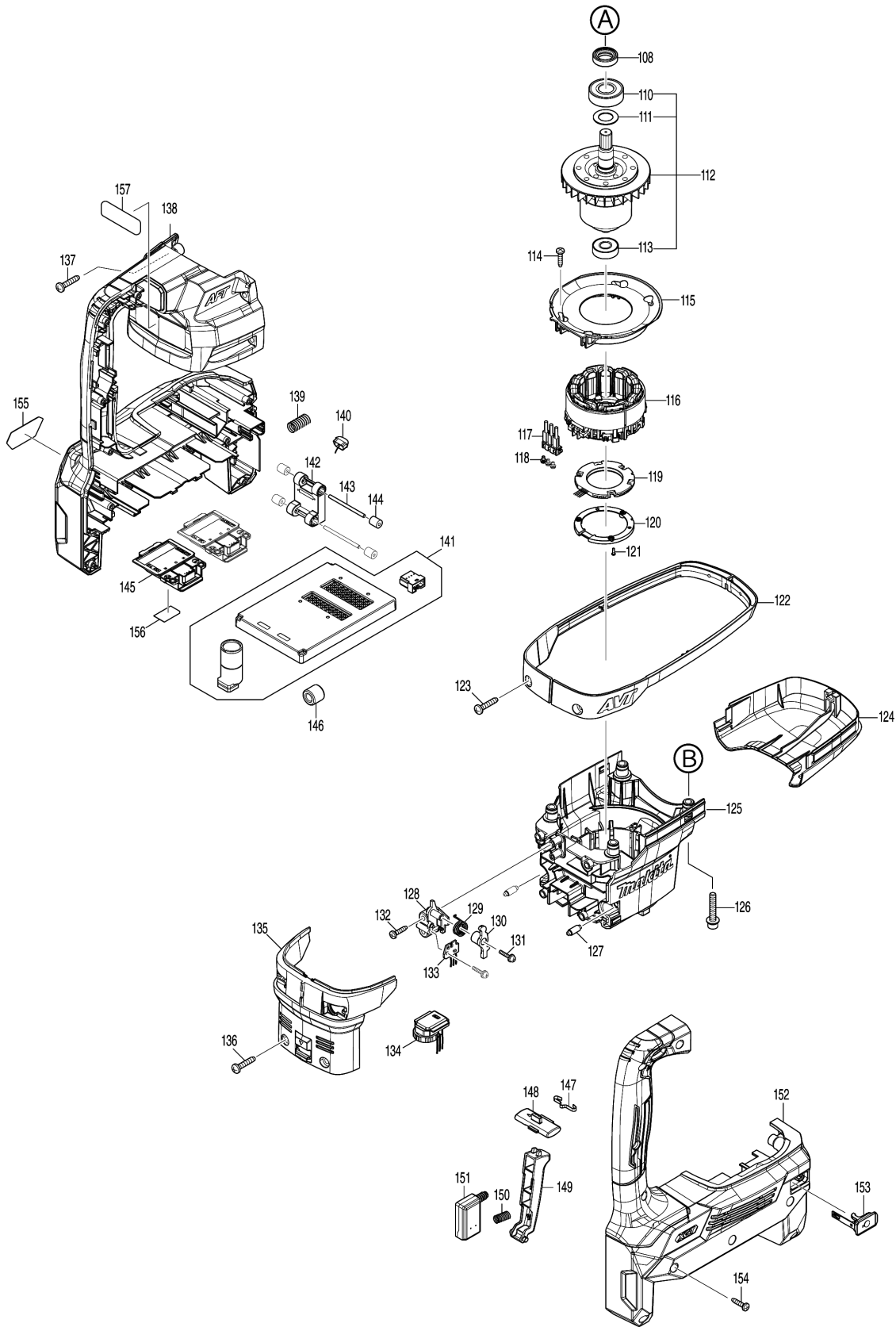


Model No.HR006G 52MM CORDLESS ROTARY HAMMER



Model No.HR006G 52MM CORDLESS ROTARY HAMMER



Model No.HR006G 52MM CORDLESS ROTARY HAMMER

| Item | Parts No. | Description                    | I/C | Qty | New/Old | Opt. 1 | Opt. 2 | Note |
|------|-----------|--------------------------------|-----|-----|---------|--------|--------|------|
| 001  | 286292-7  | TOOL HOLDER CAP                |     | 1   |         |        |        |      |
| 002  | 233948-3  | RING SPRING 25                 |     | 1   |         |        |        |      |
| 003  | 257367-9  | RING 28                        |     | 1   |         |        |        |      |
| 004  | 454767-6  | CHUCK COVER                    |     | 1   |         |        |        |      |
| 005  | 262172-1  | RUBBER RING 29                 |     | 1   |         |        |        |      |
| 006  | 327868-2  | CHUCK RING                     |     | 1   |         |        |        |      |
| 007  | 454768-4  | RELEASE COVER                  |     | 1   |         |        |        |      |
| 008  | 310178-4  | TOOL RETAINER                  |     | 2   |         |        |        |      |
| 009  | 346751-4  | SPRING GUIDE                   |     | 1   |         |        |        |      |
| 010  | 234317-1  | COMPRESSION SPRING 49          |     | 1   |         |        |        |      |
| 011  | 346751-4  | SPRING GUIDE                   |     | 1   |         |        |        |      |
| 012  | 922456-6  | HEX. SOCKET HEAD BOLT<br>M8X35 |     | 4   |         |        |        |      |
| 013  | 140Y01-7  | HOUSING COVER COMPLETE         |     | 1   |         |        |        |      |
| C10  | 810100-6  | CAUTION LABEL                  |     | 1   |         |        |        |      |
| 014  | 213664-3  | O RING 60                      |     | 1   |         |        |        |      |
| 015  | 142408-3  | BARREL COMPLETE                |     | 1   |         |        |        |      |
| C10  | 213663-5  | O RING 55                      |     | 1   |         |        |        |      |
| C20  | 213778-8  | OIL SEAL 42                    |     | 1   |         |        |        |      |
| C30  | 214603-6  | PLANE BEARING 49               |     | 1   |         |        |        |      |
| C40  | 259056-2  | RING SPRING 54                 |     | 1   |         |        |        |      |
| 016  | 454769-2  | LOCK SLEEVE                    |     | 1   |         |        |        |      |
| 017  | 259057-0  | RING SPRING 74                 |     | 1   |         |        |        |      |
| 018  | 213766-5  | O-RING 78                      |     | 1   |         |        |        |      |
| 019  | 213789-3  | O-RING 38                      |     | 1   |         |        |        |      |
| 020  | 327735-1  | TOOL HOLDER A                  |     | 1   |         |        |        |      |
| 021  | 213779-6  | O-RING 45                      |     | 1   |         |        |        |      |
| 022  | 231989-3  | RING SPRING 46                 |     | 1   |         |        |        |      |
| 023  | 257353-0  | RING 49                        |     | 1   |         |        |        |      |
| 024  | 267477-4  | FLAT WASHER 60                 |     | 1   |         |        |        |      |
| 025  | 262171-3  | RUBBER RING 60                 |     | 1   |         |        |        |      |
| 026  | 267477-4  | FLAT WASHER 60                 |     | 1   |         |        |        |      |
| 027  | 268308-0  | PIN 9                          |     | 4   |         |        |        |      |
| 028  | 326362-1  | TOOL HOLDER B                  |     | 1   |         |        |        |      |
| 029  | 213394-6  | O RING 23                      |     | 3   |         |        |        |      |
| 030  | 213431-6  | FLUORIDE RING 28               |     | 3   |         |        |        |      |
| 031  | 136413-0  | IMPACT BOLT ASSY               |     | 1   |         |        |        |      |
| D10  |           | INC. 29,30                     |     |     |         |        |        |      |
| 032  | 324756-4  | RING 20                        |     | 1   |         |        |        |      |
| 033  | 424000-0  | RUBBUR RING 24                 |     | 1   |         |        |        |      |
| 034  | 327734-3  | SHOULDER WASHER 20             |     | 1   |         |        |        |      |
| 035  | 213783-5  | O-RING 48                      |     | 1   |         |        |        |      |
| 036  | 413263-3  | SLIDE SLEEVE                   |     | 1   |         |        |        |      |

Please order the parts with part number.

Print Date 22/2/2021

Model No.HR006G 52MM CORDLESS ROTARY HAMMER

| Item  | Parts No. | Description               | I/C | Qty | New/Old | Opt. 1 | Opt. 2 | Note |
|-------|-----------|---------------------------|-----|-----|---------|--------|--------|------|
| 037   | 327731-9  | STRIKER                   |     | 1   |         |        |        |      |
| 038   | 213781-9  | O-RING 33                 |     | 1   |         |        |        |      |
| 039   | 234318-9  | COMPRESSION SPRING 45     |     | 1   |         |        |        |      |
| 040   | 256548-2  | FLAT FILLISTER HEAD PIN 6 |     | 1   |         |        |        |      |
| 041   | 454779-9  | GUIDE RING                |     | 1   |         |        |        |      |
| 042   | 346749-1  | LINK PLATE                |     | 1   |         |        |        |      |
| 043   | 313272-1  | DRIVING SLEEVE            |     | 1   |         |        |        |      |
| 044   | 257994-2  | RETAINING RING(EXT)WR-44  |     | 1   |         |        |        |      |
| 045   | 257355-6  | RING 44                   |     | 1   |         |        |        |      |
| 046   | 267478-2  | FLAT WASHER 44            |     | 1   |         |        |        |      |
| 047   | 234319-7  | COMPRESSION SPRING 46     |     | 1   |         |        |        |      |
| 048   | 267478-2  | FLAT WASHER 44            |     | 1   |         |        |        |      |
| 049   | 327730-1  | CYLINDER 40               |     | 1   |         |        |        |      |
| 050   | 257994-2  | RETAINING RING(EXT)WR-44  |     | 1   |         |        |        |      |
| 051   | 213460-9  | O RING 35                 |     | 3   |         |        |        |      |
| 052   | 257820-5  | SLEEVE 9                  |     | 1   |         |        |        |      |
| 053   | 312A68-3  | PISTON                    |     | 1   |         |        |        |      |
| 054   | 213782-7  | O-RING 30                 |     | 1   |         |        |        |      |
| 055   | 213460-9  | O RING 35                 |     | 1   |         |        |        |      |
| 056   | 413261-7  | CONNECTING ROD            |     | 1   |         |        |        |      |
| 057   | 227625-7  | SPIRAL BEVEL GEAR 33      |     | 1   |         |        |        |      |
| 058   | 265995-6  | TAPPING SCREW 4X18        |     | 1   |         |        |        |      |
| 059   | 454326-6  | CHANGE LEVER              |     | 1   |         |        |        |      |
| 060   | 312A70-6  | CRANK CAP COVER           |     | 1   |         |        |        |      |
| 061   | 454345-2  | CRANK LEVER               |     | 1   |         |        |        |      |
| 062   | 213262-3  | O RING 18                 |     | 1   |         |        |        |      |
| 063   | 424607-2  | FILTER CAP                |     | 1   |         |        |        |      |
| 064   | 443129-3  | FILTER                    |     | 1   |         |        |        |      |
| 065   | 454764-2  | CRANK CAP                 |     | 1   |         |        |        |      |
| 066   | 911128-8  | P.H.SCREW M4X16 WITH WR   |     | 6   |         |        |        |      |
| 067   | 424608-0  | SEAL RING B               |     | 1   | *       |        |        |      |
| 067-1 | 422787-8  | SEAL RING B               | <   | 1   |         |        |        |      |
| 068   | 232280-2  | LEAF SPRING               |     | 1   |         |        |        |      |
| 069   | 413827-3  | LINK LEVER                |     | 1   |         |        |        |      |
| 070   | 911511-9  | PAN HEAD SCREW M4X10      |     | 1   |         |        |        |      |
| 071   | 233611-8  | TORSION SPRING 7          |     | 1   |         |        |        |      |
| 072   | 454778-1  | LINK GUIDE                |     | 1   |         |        |        |      |
| 073   | 911128-8  | P.H.SCREW M4X16 WITH WR   |     | 2   |         |        |        |      |
| 074   | 346748-3  | GUIDE RAIL                |     | 1   |         |        |        |      |
| 075   | 140Y00-9  | CRANK HOUSING A COMPLETE  |     | 1   |         |        |        |      |
| 076   | 922359-4  | H.S.H.BOLT M6X35 WITH WG  |     | 2   |         |        |        |      |
| 077   | 213662-7  | O RING 55                 |     | 1   |         |        |        |      |

Please order the parts with part number.

Print Date 22/2/2021

Model No.HR006G 52MM CORDLESS ROTARY HAMMER

| Item  | Parts No. | Description              | I/C | Qty | New/Old | Opt. 1 | Opt. 2 | Note |
|-------|-----------|--------------------------|-----|-----|---------|--------|--------|------|
| 078   | 922359-4  | H.S.H.BOLT M6X35 WITH WG |     | 2   |         |        |        |      |
| 079   | 413264-1  | SPRING BASE              |     | 1   |         |        |        |      |
| 080   | 232662-8  | COMPRESSION SPRING 12    |     | 2   |         |        |        |      |
| 081   | 232664-4  | COMPRESSION SPRING 10    |     | 1   |         |        |        |      |
| 082   | 911233-1  | PAN HEAD SCREW M5X20     |     | 3   |         |        |        |      |
| 083   | 127823-2  | TORQUE LIMITER ASSEMBLY  |     | 1   |         |        |        |      |
| D10   |           | INC. 84-90               |     |     |         |        |        |      |
| 084   | 227628-1  | SPIRAL BEVEL GEAR 10     |     | 1   |         |        |        |      |
| 085   | 210256-9  | BALL BEARING 6904LLB     |     | 1   |         |        |        |      |
| 086   | 142410-6  | TORQUE LIMITER COMPLETE  |     | 1   |         |        |        |      |
| 087   | 324727-1  | SHOULDER WASHER 8        |     | 1   |         |        |        |      |
| 088   | 210005-4  | BALL BEARING 608DDW      |     | 1   |         |        |        |      |
| 089   | 253215-0  | FLAT WASHER 8            |     | 1   |         |        |        |      |
| 090   | 961004-6  | RETAINING RING S-8       |     | 1   |         |        |        |      |
| 091   | 327729-6  | CRANK SHAFT              |     | 1   |         |        |        |      |
| 092   | 210255-1  | BALL BEARING 6006LLB     |     | 1   |         |        |        |      |
| 093   | 254229-2  | KEY 5                    |     | 2   |         |        |        |      |
| 094   | 227788-9  | HELICAL GEAR 46          |     | 1   |         |        |        |      |
| 095   | 227336-4  | SPUR GEAR 26             |     | 1   |         |        |        |      |
| 096   | 961102-6  | RETAINING RING S-22      |     | 1   |         |        |        |      |
| 097   | 253843-1  | FLAT WASHER 12           |     | 1   |         |        |        |      |
| 098   | 424609-8  | SEAL RING A              |     | 1   | *       |        |        |      |
| 098-1 | 422786-0  | SEAL RING A              | <   | 1   |         |        |        |      |
| 099   | 142409-1  | GEAR HOUSING COMPLETE    |     | 1   |         |        |        |      |
| 100   | 454774-9  | SPRING PLATE             |     | 2   |         |        |        |      |
| 101   | 233497-0  | COMPRESSION SPRING 15    |     | 2   |         |        |        |      |
| 104   | 326375-2  | COUNTER WEIGHT           |     | 2   |         |        |        |      |
| 105   | 233497-0  | COMPRESSION SPRING 15    |     | 2   |         |        |        |      |
| 106   | 213953-6  | O RING 24                |     | 4   |         |        |        |      |
| 107   | 141E52-3  | HOLDER COMPLETE          |     | 2   |         |        |        |      |
| 108   | 213231-4  | OIL SEAL 15              |     | 1   |         |        |        |      |
| 110   | 211228-7  | BALL BEARING 6202DDW     |     | 1   |         |        |        |      |
| 111   | 267215-4  | FLAT WASHER 15           |     | 1   |         |        |        |      |
| 112   | 519652-1  | ROTOR ASSY               |     | 1   |         |        |        |      |
| D10   |           | INC. 110,111,113         |     |     |         |        |        |      |
| 113   | 210059-1  | BALL BEARING 6000DDW     |     | 1   |         |        |        |      |
| 114   | 265995-6  | TAPPING SCREW 4X18       |     | 4   |         |        |        |      |
| 115   | 413260-9  | BAFFLE PLATE             |     | 1   |         |        |        |      |
| 116   | 629A27-3  | STATOR                   |     | 1   |         |        |        |      |
| 117   | 632R89-4  | LEAD UNIT                |     | 1   |         |        |        |      |
| 118   | 652031-1  | PAN HEAD SCREW M3X6      |     | 3   |         |        |        |      |
| 119   | 620E26-2  | CONTROLLER B             |     | 1   |         |        |        |      |

Model No.HR006G 52MM CORDLESS ROTARY HAMMER

| Item | Parts No. | Description                  | I/C | Qty | New/Old | Opt. 1 | Opt. 2 | Note |
|------|-----------|------------------------------|-----|-----|---------|--------|--------|------|
| 120  | 687B69-9  | STOPPER                      |     | 1   |         |        |        |      |
| 121  | 266490-9  | TAPPING SCREW PT 2X6         |     | 3   |         |        |        |      |
| 122  | 454780-4  | GUARD 52                     |     | 1   |         |        |        |      |
| 123  | 266041-8  | TAPPING SCREW 5X25           |     | 2   |         |        |        |      |
| 124  | 454763-4  | GEAR HOUSING COVER           |     | 1   |         |        |        |      |
| 125  | 413256-0  | MOTOR HOUSING                |     | 1   |         |        |        |      |
| 126  | 922359-4  | H.S.H.BOLT M6X35 WITH WG     |     | 2   |         |        |        |      |
| 127  | 256380-4  | SHOULDER PIN 4-6             |     | 2   |         |        |        |      |
| 128  | 412985-2  | BASE                         |     | 1   |         |        |        |      |
| 129  | 232643-2  | TORSION SPRING 13            |     | 1   |         |        |        |      |
| 130  | 140W48-9  | LEVER COMPLETE               |     | 1   |         |        |        |      |
| 131  | 263046-9  | TAPPING SCREW 3X14           |     | 2   |         |        |        |      |
| 132  | 265995-6  | TAPPING SCREW 4X18           |     | 2   |         |        |        |      |
| 133  | 620E28-8  | SENSOR CIRCUIT               |     | 1   |         |        |        |      |
| 134  | 620E29-6  | DIAL CIRCUIT                 |     | 1   |         |        |        |      |
| 135  | 140X97-2  | MOTOR HOUSING COVER COMPLETE |     | 1   |         |        |        |      |
| C10  | 422660-2  | RUBBER SHEET                 |     | 1   |         |        |        |      |
| 136  | 266041-8  | TAPPING SCREW 5X25           |     | 2   |         |        |        |      |
| 137  | 266041-8  | TAPPING SCREW 5X25           |     | 4   |         |        |        |      |
| 138  | 183S32-7  | HOUSING SET                  |     | 1   |         |        |        |      |
| C10  | 263005-3  | RUBBER PIN 6                 |     | 8   |         |        |        |      |
| C20  | 347755-9  | GUARD RAIL                   |     | 2   |         |        |        |      |
| C30  | 422646-6  | CAP 10                       |     | 2   |         |        |        |      |
| C40  | 347782-6  | PLATE                        |     | 4   |         |        |        |      |
| D10  |           | INC. 152                     |     |     |         |        |        |      |
| 139  | 232663-6  | COMPRESSION SPRING 8         |     | 1   |         |        |        |      |
| 140  | 620E27-0  | LED CIRCUIT                  |     | 1   |         |        |        |      |
| 141  | 620E25-4  | CONTROLLER                   |     | 1   |         |        |        |      |
| 142  | 620E30-1  | ACCELEROMETER CIRCUIT        |     | 1   |         |        |        |      |
| 143  | 256886-2  | ROD 3                        |     | 2   |         |        |        |      |
| 144  | 422472-3  | SPONGE SLEEVE 3              |     | 4   |         |        |        |      |
| 145  | 632R98-3  | TERMINAL UNIT                |     | 2   |         |        |        |      |
| 146  | 688163-8  | LINE FILTER                  |     | 1   |         |        |        |      |
| 147  | 232152-1  | LEAF SPRING                  |     | 1   |         |        |        |      |
| 148  | 412953-5  | TRIGGER LOCK                 |     | 1   |         |        |        |      |
| 149  | 458097-7  | SWITCH LEVER                 |     | 1   |         |        |        |      |
| 150  | 232418-9  | COMPRESSION SPRING 5         |     | 1   |         |        |        |      |
| 151  | 651083-9  | SWITCH C3XA-1PSPM            |     | 1   |         |        |        |      |
| 152  | 183S32-7  | HOUSING SET                  |     | 1   |         |        |        |      |
| C10  | 263005-3  | RUBBER PIN 6                 |     | 8   |         |        |        |      |
| C20  | 347755-9  | GUARD RAIL                   |     | 2   |         |        |        |      |
| C30  | 422646-6  | CAP 10                       |     | 2   |         |        |        |      |

Please order the parts with part number.

Print Date 22/2/2021

Model No.HR006G 52MM CORDLESS ROTARY HAMMER

| Item | Parts No. | Description                   | I/C | Qty | New/Old | Opt. 1 | Opt. 2 | Note |
|------|-----------|-------------------------------|-----|-----|---------|--------|--------|------|
| C40  | 347782-6  | PLATE                         |     | 4   |         |        |        |      |
| D10  |           | INC. 138                      |     |     |         |        |        |      |
| 153  | 140F99-0  | CAP COMPLETE                  |     | 1   |         |        |        |      |
| C10  | 213218-6  | O RING 16                     |     | 1   |         |        |        |      |
| C20  | 818H07-8  | CAP LABEL                     |     | 1   |         |        |        |      |
| 154  | 265995-6  | TAPPING SCREW 4X18            |     | 10  |         |        |        |      |
| 155  | 8029M5-9  | XGT LOGO LABEL                |     | 1   |         |        |        |      |
| 156  | 811996-8  | HR006G SERIAL NO. LABEL       |     | 1   |         |        |        |      |
| 157  | 811990-0  | HR006G NAME PLATE             |     | 1   |         |        |        |      |
| A01  | 198993-4  | GREASE VESSEL SET             |     | 1   |         |        |        |      |
| A02  | 331955-1  | DEPTH GAUGE                   |     | 1   |         |        |        |      |
| A03  | 443122-7  | CLOTH                         |     | 1   |         |        |        |      |
| A04  | 135629-4  | SIDE GRIP ASSEMBLY            |     | 1   |         |        |        |      |
| C10  | 158131-0  | GRIP 36 COMPLETE              |     | 1   |         |        |        |      |
| C20  | 234226-4  | COMPRESSION SPRING 6          |     | 1   |         |        |        |      |
| C30  | 266163-4  | CUP SQUARE NECK BOLT<br>M8X80 |     | 1   |         |        |        |      |
| C40  | 313223-4  | RACK GUIDE                    |     | 1   |         |        |        |      |
| C50  | 344492-6  | PLATE                         |     | 1   |         |        |        |      |
| C60  | 346750-6  | GRIP SPRING 90                |     | 1   |         |        |        |      |
| C70  | 453114-8  | LOCK BUTTON                   |     | 1   |         |        |        |      |
| C80  | 454781-2  | SIDE GRIP BASE 90             |     | 1   |         |        |        |      |
| A05  | 135283-4  | SIDE HANDLE 90 ASSEMBLY       |     | 1   |         |        |        |      |
| C10  | 252640-2  | WING NUT M8                   |     | 1   |         |        |        |      |
| C20  | 265439-6  | HEX. BOLT M8X150              |     | 1   |         |        |        |      |
| C30  | 318430-4  | SIDE HANDLE BASE 90A          |     | 1   |         |        |        |      |
| C40  | 318431-2  | SIDE HANDLE BASE 90B          |     | 1   |         |        |        |      |
| C50  | 417002-3  | SIDE HANDLE CAM               |     | 2   |         |        |        |      |
| C60  | 417003-1  | SIDE HANDLE                   |     | 1   |         |        |        |      |
| C70  | 951166-8  | SPRING PIN 5-24               |     | 1   |         |        |        |      |
| A06  | 821848-5  | PLASTIC CASE                  |     | 1   |         |        |        |      |
| A07  | 8030B5-1  | HR006GZ PLASTIC CASE<br>LABEL |     | 2   |         |        |        |      |

Please order the parts with part number.

Print Date 22/2/2021