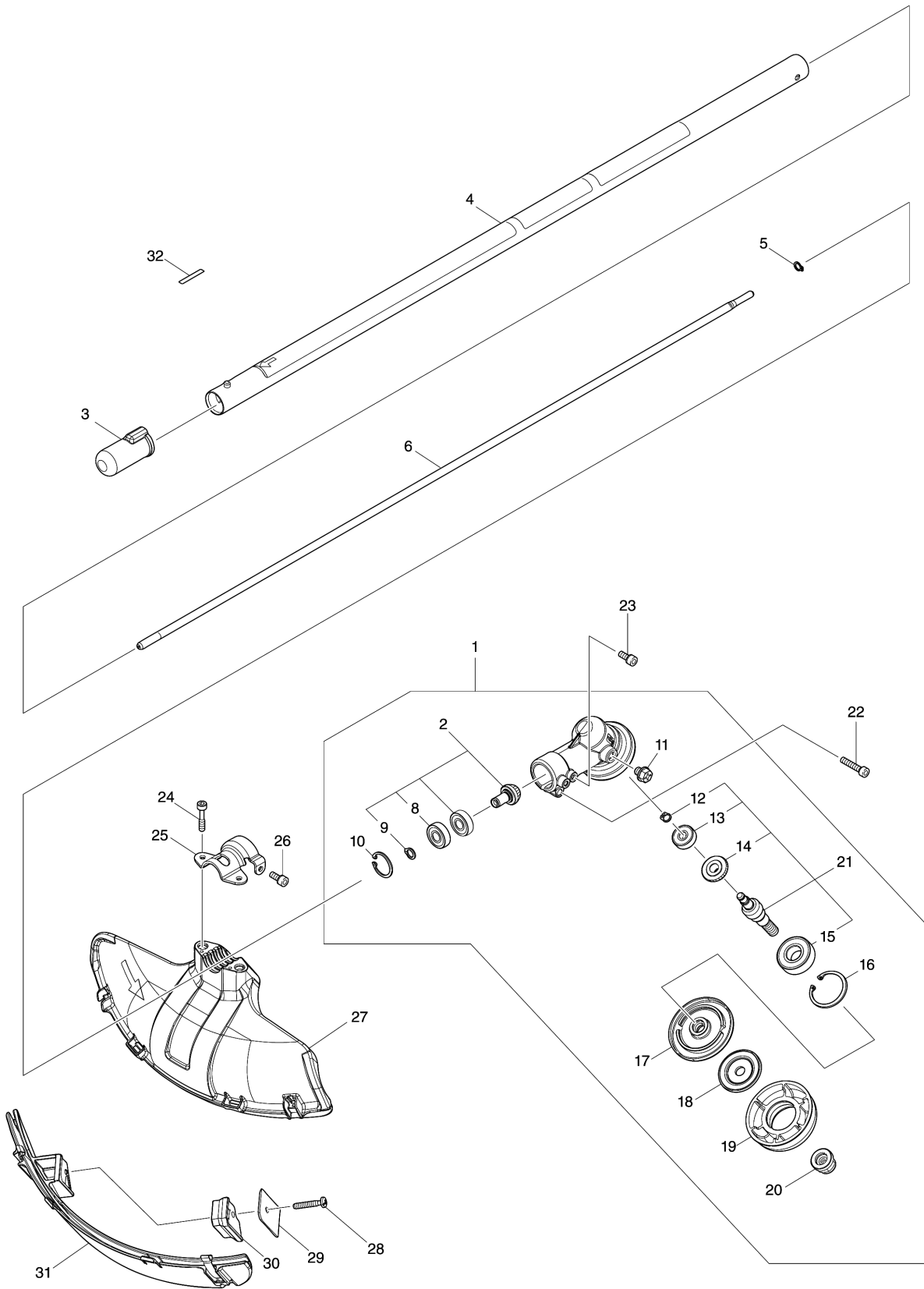


Model No.EM408MP GRASS TRIMMER ATTACHMENT



Model No.EM408MP GRASS TRIMMER ATTACHMENT

Item	Parts No.	Description	I/C	Qty	New/Old	Opt. 1	Opt. 2	Note
001	127711-3	GEAR CASE ASSEMBLY US		1				
D10		INC. 2,10,11,16-21						
002	136374-4	SPIRAL BEVEL GEAR ASS'Y		1				
D10		INC. 8,9						
003	424434-7	CAP 24		1				
004	140Y52-0	SHAFT PIPE A COMPLETE A		1				
C10	819312-8	MAKITA LOGO LABEL		1				
C20	8025E6-7	CAUTION LABEL		1				
C30	8025E7-5	SOUND 105DB93DB94DB LABEL		1				
005	961003-8	RETAINING RING S-7		1				
006	327723-8	SHAFT A		1				
008	210157-1	BALL BEARING 609ZZ		2				
009	259071-6	RETAINING RING (EXT) S-9		1				
010	259072-4	RETAINING RING (INT)R-24		1				
011	265590-2	+HEX.BOLT M8X10 WITH R		1				
012	259070-8	RETAINING RING (EXT) S-7		1				
013	210030-5	BALL BEARING 627ZZ		1				
014	226988-8	SPIRAL BEVEL GEAR 19		1				
015	211228-7	BALL BEARING 6202DDW		1				
016	259069-3	RETAINING RING (INT) R-35		1				
017	140N88-3	RECEIVE WASHER COMPLETE		1				
018	347766-4	CLAMP WASHER US		1				
019	413201-5	CUP US		1				
020	252236-9	HEX. LOCK NUT M10-17		1				
021	136375-2	CUTTER SHAFT ASS'Y		1				
D10		INC. 12-15						
022	922242-5	HEX. SOCKET HEAD BOLT M5X25		1				
023	922216-6	HEX. SOCKET HEAD BOLT M5X14		1				
024	251513-6	H.S.H.BOLT M5X25		2				
025	347107-4	PROTECTOR CLAMP 24		1				
026	922216-6	HEX. SOCKET HEAD BOLT M5X14		1				
027	412969-0	PROTECTOR U 330		1				
028	266553-1	TAPPING SCREW 5X30		1				
029	347115-5	CUTTER		1				
030	457794-2	CUTTER EXTENSION		1				
031	140X35-4	PROTECTOR U EXT. 300-330 COMP		1				
032	814A82-0	DATE CODE LABEL		1				
A01	782238-6	BOX WRENCH 17		1				
A02	191D89-4	TRIMMER HEAD 96-M10L SET		1				

Please order the parts with part number.

Print Date 14/9/2022