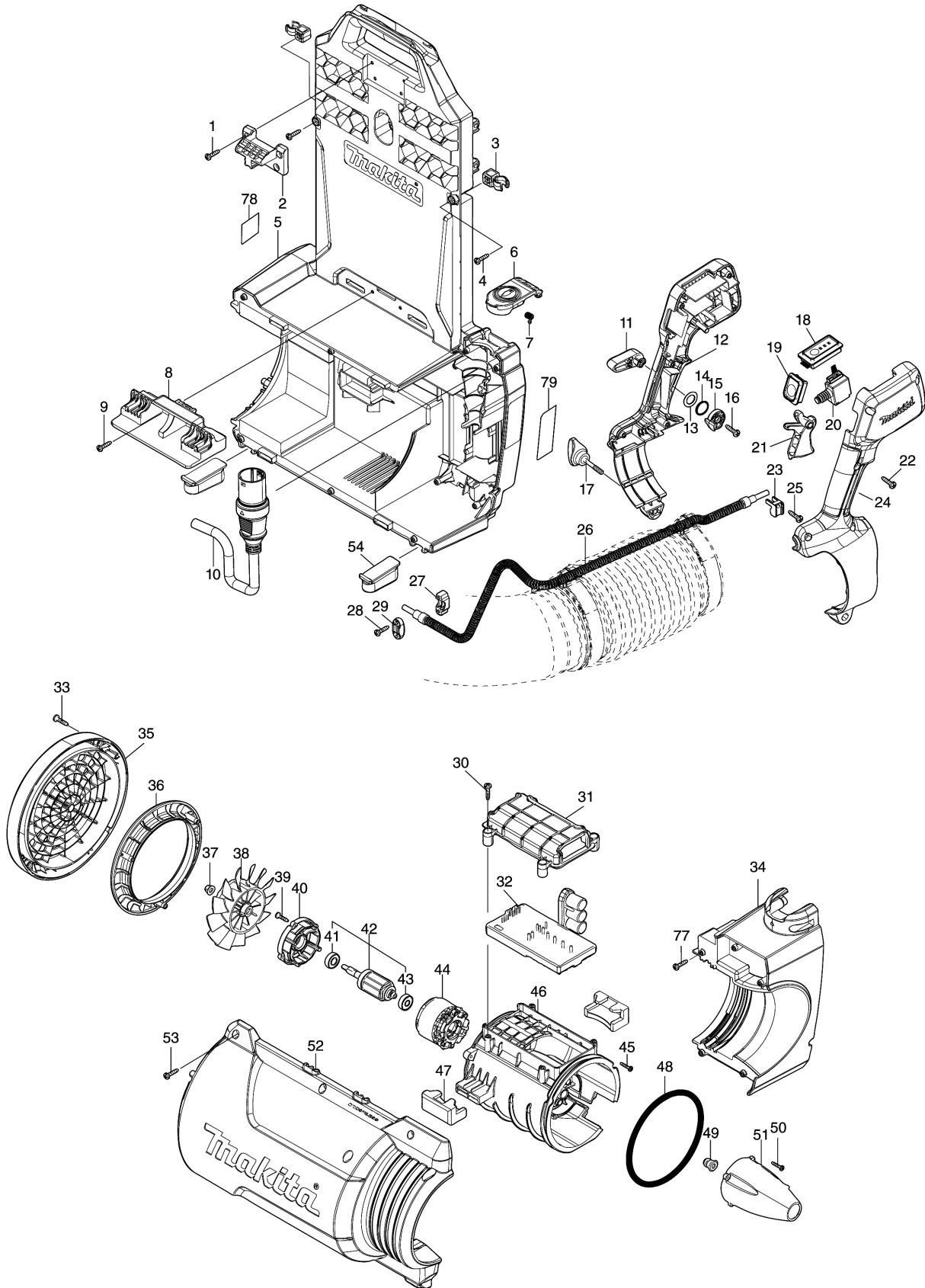
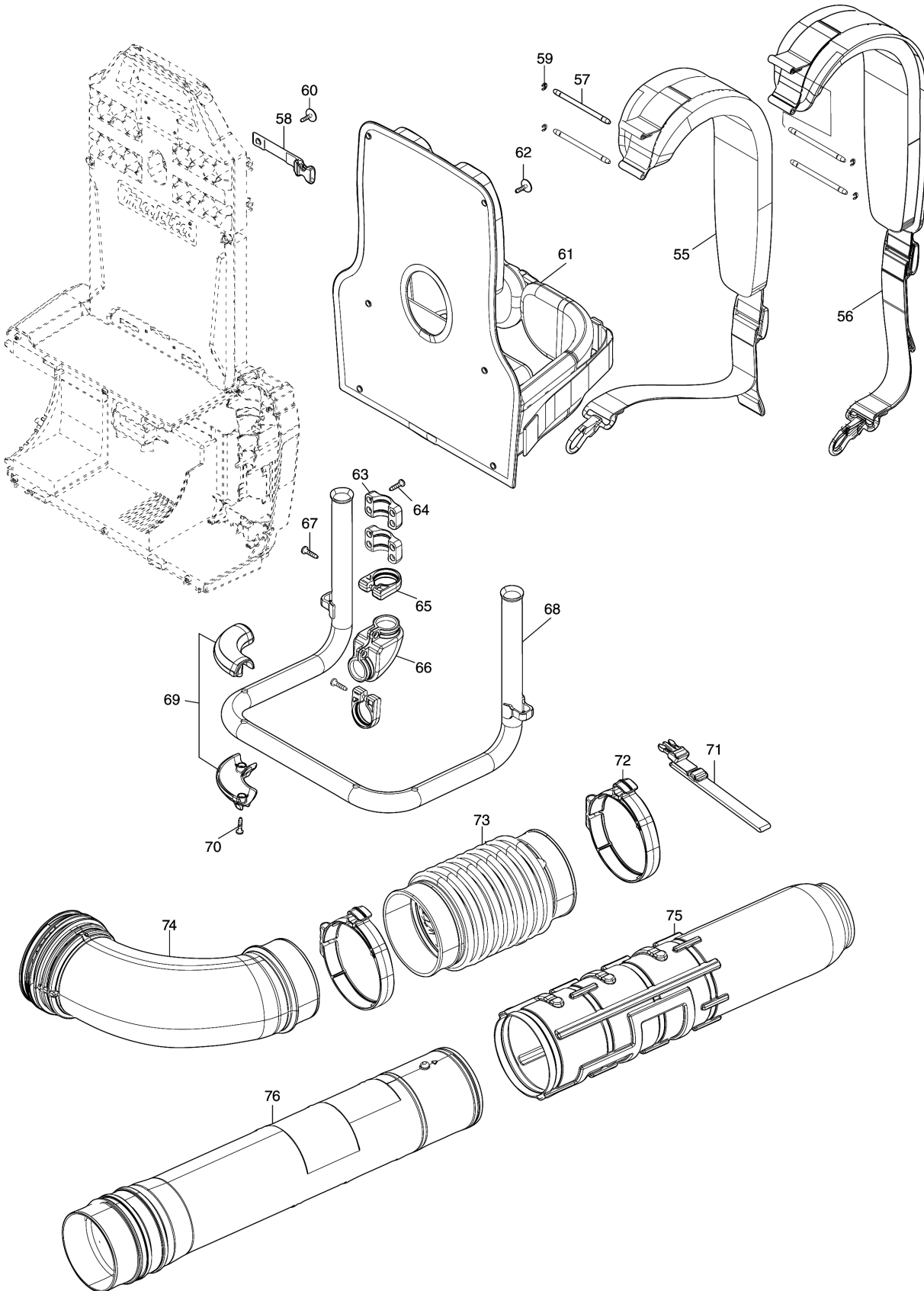


Model No.UB002C BATTERY POWERED BLOWER



Model No.UB002C BATTERY POWERED BLOWER



Model No.UB002C BATTERY POWERED BLOWER

| Item | Parts No. | Description             | I/C | Qty | New/Old | Opt. 1 | Opt. 2 | Note |
|------|-----------|-------------------------|-----|-----|---------|--------|--------|------|
| 001  | 266326-2  | TAPPING SCREW 4X18      |     | 4   |         |        |        |      |
| 002  | 413G75-6  | UPPER HOLDER            |     | 1   |         |        |        |      |
| 003  | 413613-2  | HOLDER                  |     | 2   |         |        |        |      |
| 004  | 266326-2  | TAPPING SCREW 4X18      |     | 2   |         |        |        |      |
| 005  | 141J75-1  | FRAME COMPLETE          |     | 1   |         |        |        |      |
| 006  | 413G74-8  | CONNECTOR COVER         |     | 1   |         |        |        |      |
| 007  | 232681-4  | TORSION SPRING 4        |     | 1   |         |        |        |      |
| 008  | 413G65-9  | BOTTOM HOLDER           |     | 1   |         |        |        |      |
| 009  | 266326-2  | TAPPING SCREW 4X18      |     | 2   |         |        |        |      |
| 010  | 699202-9  | POWER SUPPLY CORD UNIT  |     | 1   |         |        |        |      |
| 011  | 413G66-7  | CONTROL LEVER           |     | 1   |         |        |        |      |
| 012  | 183W35-5  | LEVER CASE SET          |     | 1   |         |        |        |      |
| C10  | 252103-8  | HEX. LOCK NUT M5-8      |     | 1   |         |        |        |      |
| D10  |           | INC. 24                 |     |     |         |        |        |      |
| 013  | 253798-0  | FLAT WASHER 13          |     | 1   |         |        |        |      |
| 014  | 213154-6  | O RING 14               |     | 1   |         |        |        |      |
| 015  | 412754-1  | LINK                    |     | 1   |         |        |        |      |
| 016  | 266326-2  | TAPPING SCREW 4X18      |     | 1   |         |        |        |      |
| 017  | 265C61-7  | THUMB SCREW M5X35       |     | 1   |         |        |        |      |
| 018  | 620J51-3  | SWITCH CIRCUIT COMPLETE |     | 1   |         |        |        |      |
| 019  | 140X08-7  | SWITCH CIRCUIT COMPLETE |     | 1   |         |        |        |      |
| C10  | 810D46-0  | SWITCH LABEL            |     | 1   |         |        |        |      |
| 020  | 651492-2  | SWITCH C3JR-1A-PAXD3    |     | 1   |         |        |        |      |
| 021  | 413G68-3  | SWITCH LEVER            |     | 1   |         |        |        |      |
| 022  | 266326-2  | TAPPING SCREW 4X18      |     | 6   |         |        |        |      |
| 023  | 687260-7  | STRAIN RELIEF           |     | 1   |         |        |        |      |
| 024  | 183W35-5  | LEVER CASE SET          |     | 1   |         |        |        |      |
| C10  | 252103-8  | HEX. LOCK NUT M5-8      |     | 1   |         |        |        |      |
| D10  |           | INC. 12                 |     |     |         |        |        |      |
| 025  | 266326-2  | TAPPING SCREW 4X18      |     | 1   |         |        |        |      |
| 026  | 699203-7  | POWER SUPPLY CORD UNIT  |     | 1   |         |        |        |      |
| 027  | 687051-6  | STRAIN RELIEF           |     | 1   |         |        |        |      |
| 028  | 266326-2  | TAPPING SCREW 4X18      |     | 2   |         |        |        |      |
| 029  | 687124-5  | STRAIN RELIEF           |     | 1   |         |        |        |      |
| 030  | 266326-2  | TAPPING SCREW 4X18      |     | 4   |         |        |        |      |
| 031  | 413G73-0  | CONTROLLER CASE COVER   |     | 1   |         |        |        |      |
| 032  | 620K47-0  | CONTROLLER COMPLETE     |     | 1   |         |        |        |      |
| 033  | 266326-2  | TAPPING SCREW 4X18      |     | 4   |         |        |        |      |
| 034  | 141J78-5  | CORD COVER COMPLETE     |     | 1   |         |        |        |      |
| C10  | 8011Y4-4  | CAUTION LABEL           |     | 1   |         |        |        |      |
| 035  | 413G61-7  | REAR COVER              |     | 1   |         |        |        |      |
| 036  | 413G72-2  | FAN GUIDE               |     | 1   |         |        |        |      |

Model No.UB002C BATTERY POWERED BLOWER

| Item | Parts No. | Description                | I/C | Qty | New/Old | Opt. 1 | Opt. 2 | Note |
|------|-----------|----------------------------|-----|-----|---------|--------|--------|------|
| 037  | 252286-4  | COLLARED HEX.LOCK NUT M5-8 |     | 1   |         |        |        |      |
| 038  | 240237-9  | FAN 110                    |     | 1   |         |        |        |      |
| 039  | 266130-9  | TAPPING SCREW BIND PT 3X16 |     | 4   |         |        |        |      |
| 040  | 413G67-5  | MOTOR HOUSING COVER        |     | 1   |         |        |        |      |
| 041  | 210040-2  | BALL BEARING 698LLU        |     | 1   |         |        |        |      |
| 042  | 519639-3  | ROTOR ASS'Y                |     | 1   |         |        |        |      |
| D10  |           | INC. 41,43                 |     |     |         |        |        |      |
| 043  | 210022-4  | BALL BEARING 626DDW        |     | 1   |         |        |        |      |
| 044  | 629B90-2  | STATOR COMPLETE            |     | 1   |         |        |        |      |
| 045  | 266130-9  | TAPPING SCREW BIND PT 3X16 |     | 3   |         |        |        |      |
| 046  | 413G60-9  | MOTOR HOUSING              |     | 1   |         |        |        |      |
| 047  | 422877-7  | RUBBER CUSHION             |     | 2   |         |        |        |      |
| 048  | 424721-4  | RUBBER RING 115            |     | 1   |         |        |        |      |
| 049  | 422879-3  | GROMMET                    |     | 1   |         |        |        |      |
| 050  | 266130-9  | TAPPING SCREW BIND PT 3X16 |     | 3   |         |        |        |      |
| 051  | 413G64-1  | CAP                        |     | 1   |         |        |        |      |
| 052  | 141J76-9  | HOUSING COMPLETE           |     | 1   |         |        |        |      |
| 053  | 266326-2  | TAPPING SCREW 4X18         |     | 10  |         |        |        |      |
| 054  | 422878-5  | RUBBER CUSHION             |     | 2   |         |        |        |      |
| 055  | 161509-8  | BAND L                     |     | 1   |         |        |        |      |
| 056  | 161510-3  | BAND R                     |     | 1   |         |        |        |      |
| 057  | 256A28-4  | ROD 5                      |     | 4   |         |        |        |      |
| 058  | 162B59-8  | BAND A COMPLETE            |     | 1   |         |        |        |      |
| 059  | 961011-9  | STOP RING E-4              |     | 4   |         |        |        |      |
| 060  | 252274-1  | TAPPING SCREW 4X18 WITH W  |     | 1   |         |        |        |      |
| 061  | 162B58-0  | CUSHION COMPLETE           |     | 1   |         |        |        |      |
| 062  | 252274-1  | TAPPING SCREW 4X18 WITH W  |     | 6   |         |        |        |      |
| 063  | 413G76-4  | PIPE FRAME COVER           |     | 4   |         |        |        |      |
| 064  | 266326-2  | TAPPING SCREW 4X18         |     | 8   |         |        |        |      |
| 065  | 413K11-6  | RUBBER CLAMP               |     | 4   |         |        |        |      |
| 066  | 422917-1  | FOOT HOUSING RUBBER        |     | 2   |         |        |        |      |
| 067  | 266326-2  | TAPPING SCREW 4X18         |     | 4   |         |        |        |      |
| 068  | 162B57-2  | PIPE FRAME COMPLETE        |     | 1   |         |        |        |      |
| 069  | 183W34-7  | FOOT HOUSING SET           |     | 2   |         |        |        |      |
| 070  | 266326-2  | TAPPING SCREW 4X18         |     | 4   |         |        |        |      |
| 071  | 162B60-3  | BAND B COMPLETE            |     | 1   |         |        |        |      |
| 072  | 122C31-8  | HOSE CLAMP 110 ASSEMBLY    |     | 2   |         |        |        |      |
| C10  | 252103-8  | HEX. LOCK NUT M5-8         |     | 1   |         |        |        |      |
| C20  | 911243-8  | PAN HEAD SCREW M5X25       |     | 1   | *       |        |        |      |
| C21  | 911253-5  | PAN HEAD SCREW M5X30       | O   | 1   |         |        |        |      |

Please order the parts with part number.

Print Date 26/7/2022

Model No.UB002C BATTERY POWERED BLOWER

| Item | Parts No. | Description          | I/C | Qty | New/Old | Opt. 1 | Opt. 2 | Note |
|------|-----------|----------------------|-----|-----|---------|--------|--------|------|
| 073  | 413G69-1  | FLEXIBLE PIPE 100    |     | 1   |         |        |        |      |
| 074  | 413G71-4  | ELBOW                |     | 1   |         |        |        |      |
| 075  | 413G70-6  | END NOZZLE 82        |     | 1   |         |        |        |      |
| 076  | 162B56-4  | SWIVEL PIPE COMPLETE |     | 1   |         |        |        |      |
| 077  | 266326-2  | TAPPING SCREW 4X18   |     | 5   |         |        |        |      |
| 078  | 801277-8  | SOUND 103DB LABEL    |     | 1   |         |        |        |      |
| 079  | 858T78-5  | UB002C NAME PLATE    |     | 1   |         |        |        |      |

Please order the parts with part number.

Print Date 26/7/2022