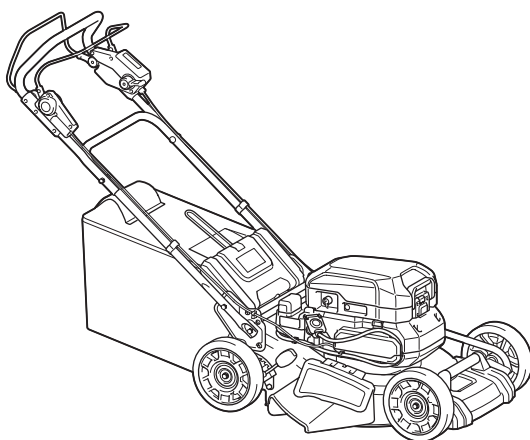
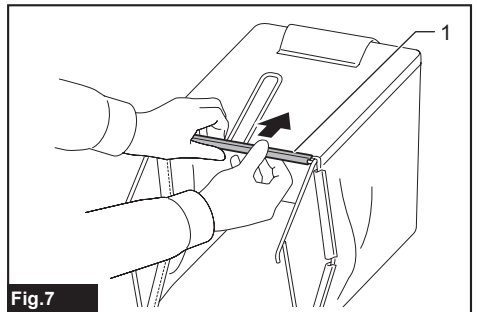
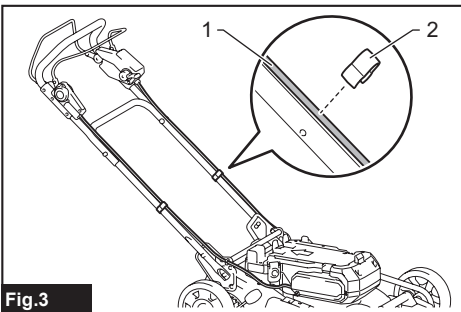
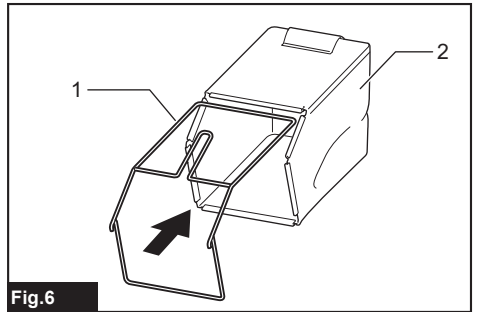
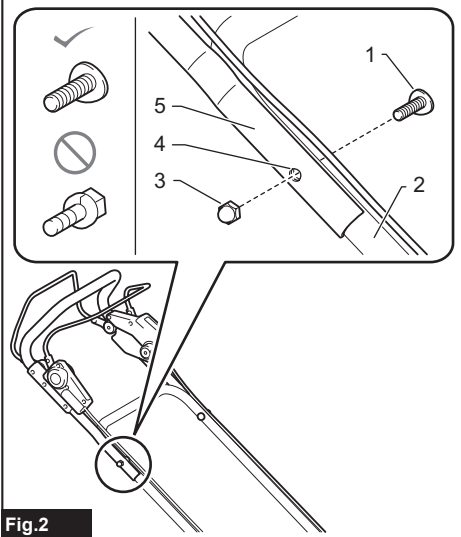
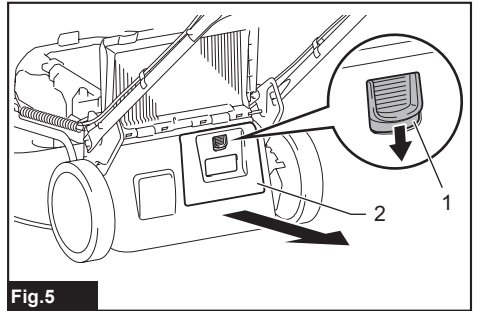
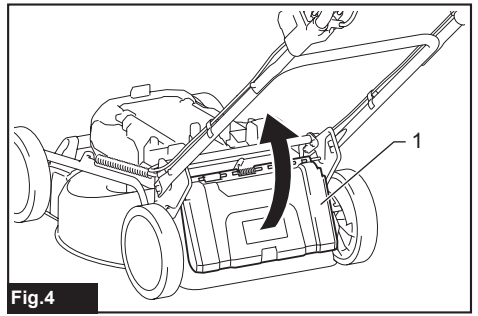
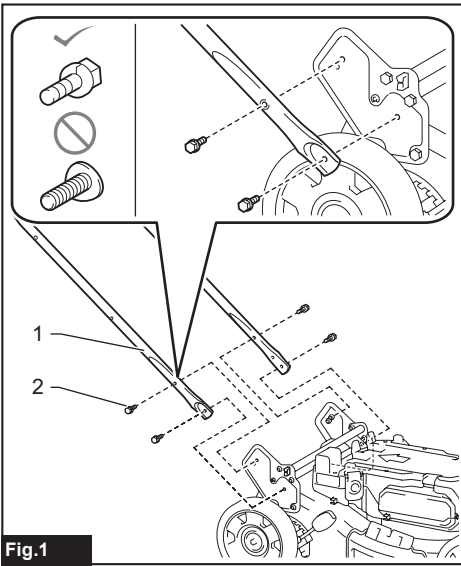




| | | | |
|-----------|--|------------------------------------|------------|
| EN | Battery Powered Lawn Mower | INSTRUCTION MANUAL | 10 |
| SV | Batteridreven gräsklippare | BRUKSANVISNING | 22 |
| NO | Batteridrevet gressklipper | BRUKSANVISNING | 34 |
| FI | Akkukäyttöinen ruohonleikkuri | KÄYTTÖOHJE | 46 |
| DA | Batteridreven plæneklipper | BRUGSANVISNING | 58 |
| LV | Ar akumulatoru darbināma zāles pļaujmašīna | LIETOŠANAS INSTRUKCIJA | 70 |
| LT | Akumuliatorinė vejapjovė | NAUDOJIMO INSTRUKCIJA | 82 |
| ET | Akutoitega muruniiduk | KASUTUSJUHEND | 94 |
| RU | Аккумуляторная газонокосилка | РУКОВОДСТВО ПО ЭКСПЛУАТАЦИИ | 106 |

LM001C





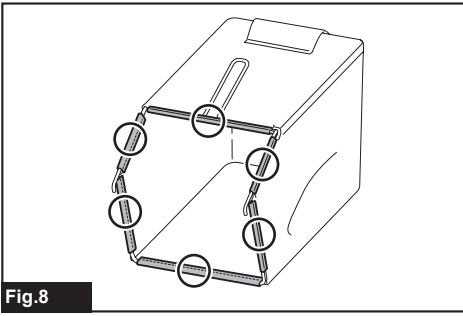


Fig.8

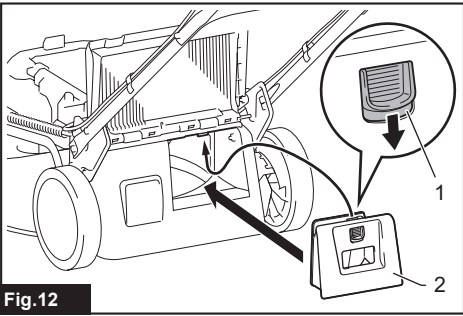


Fig.12

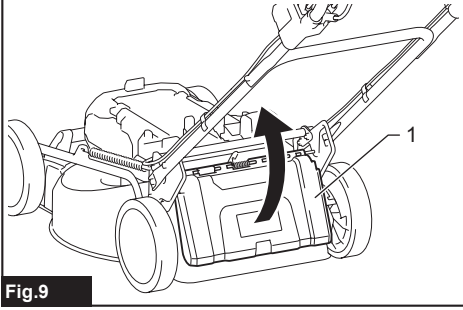


Fig.9

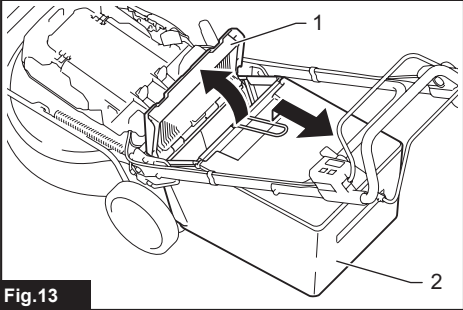


Fig.13

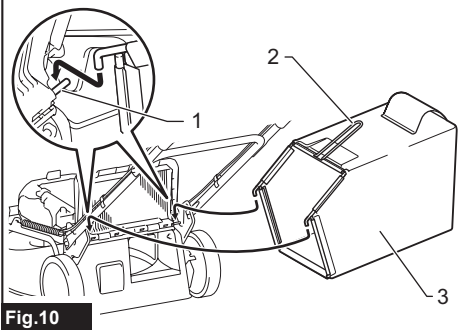


Fig.10

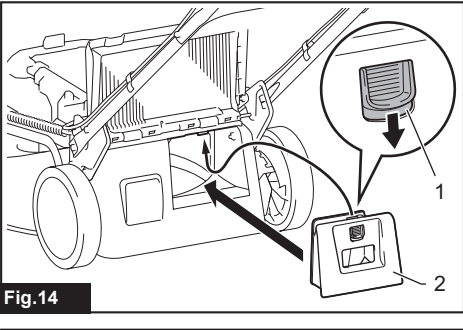


Fig.14

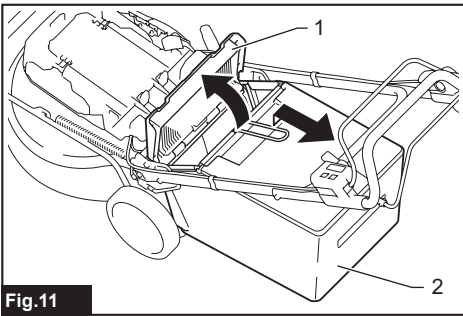


Fig.11

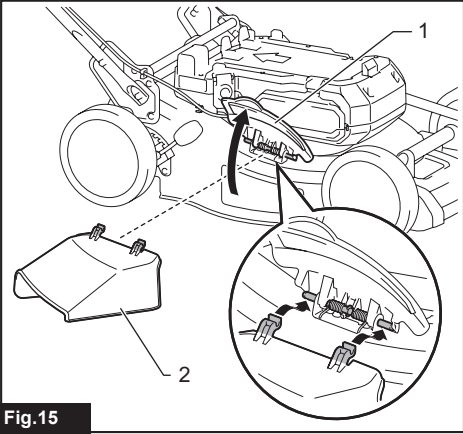
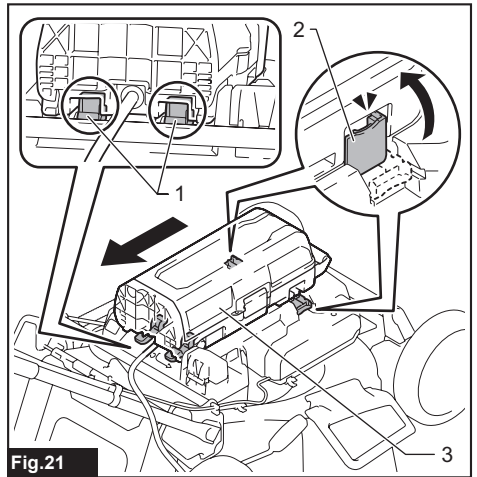
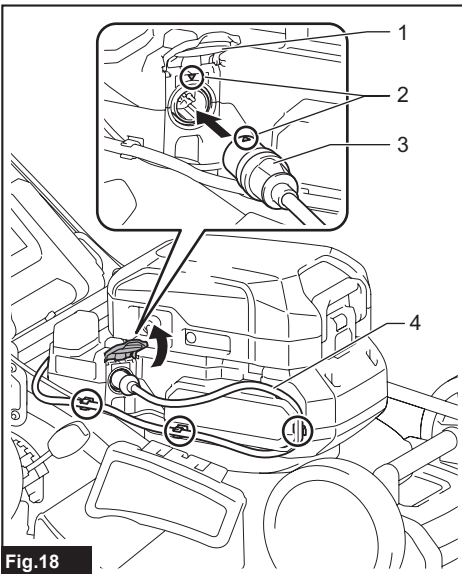
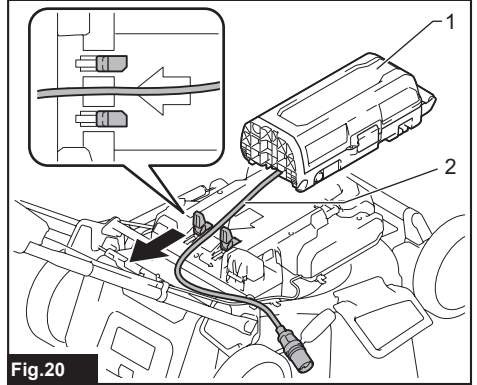
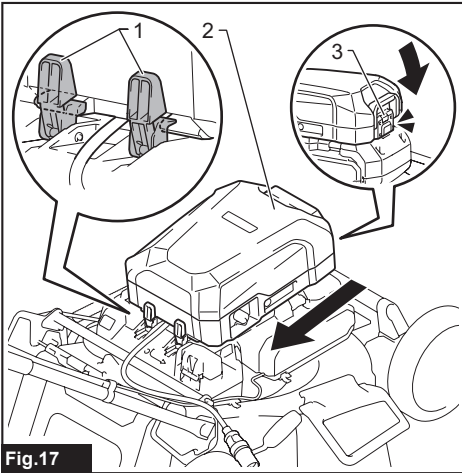
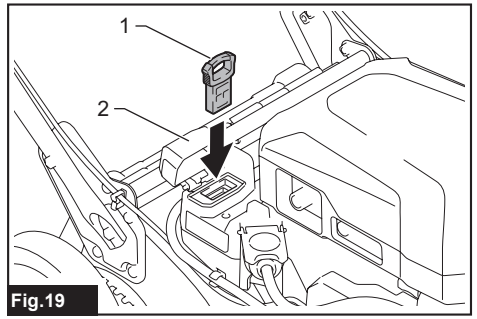
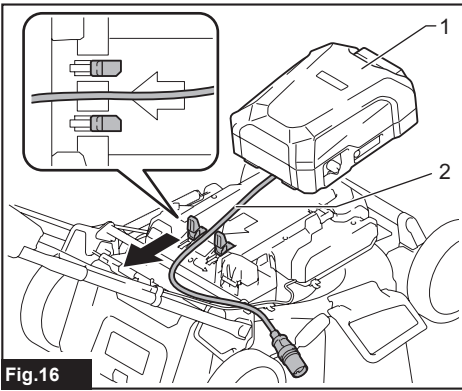
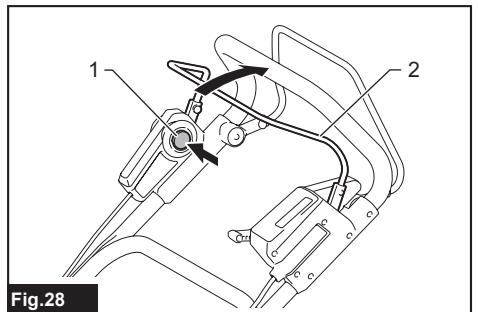
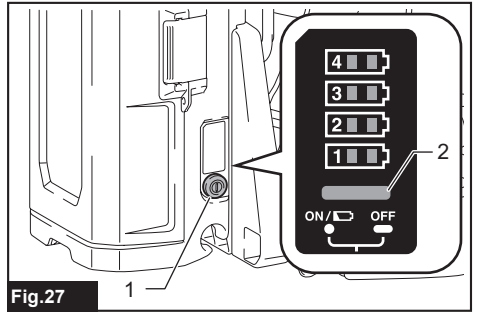
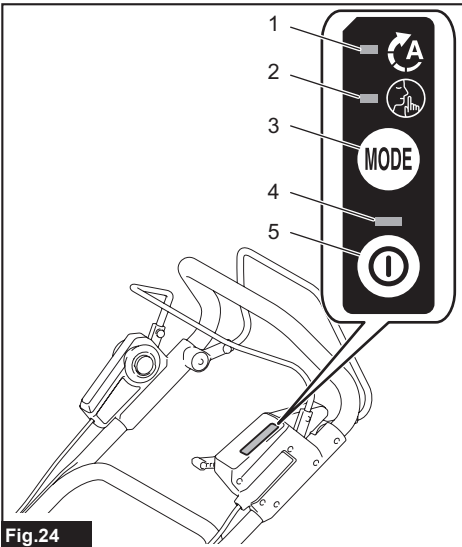
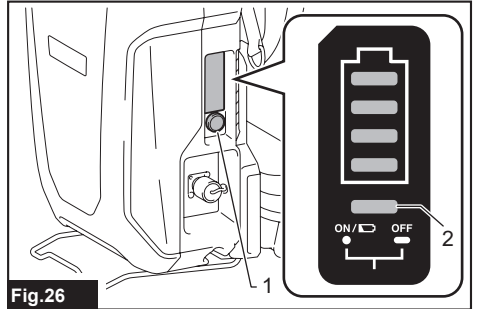
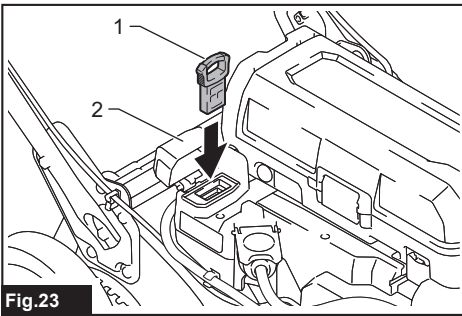
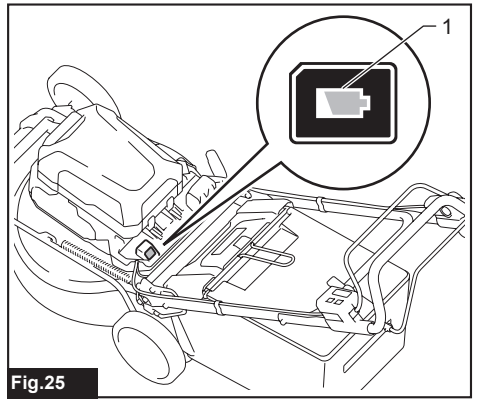
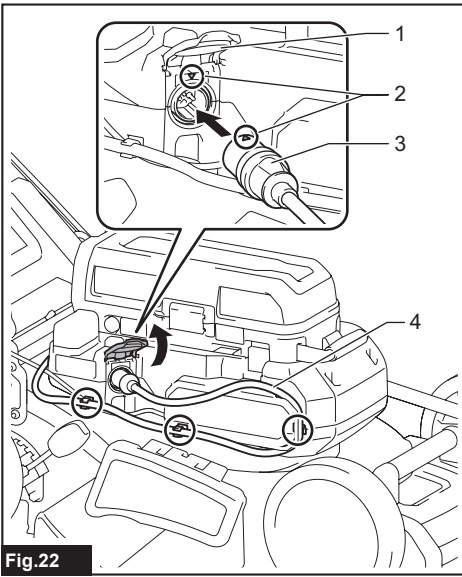


Fig.15





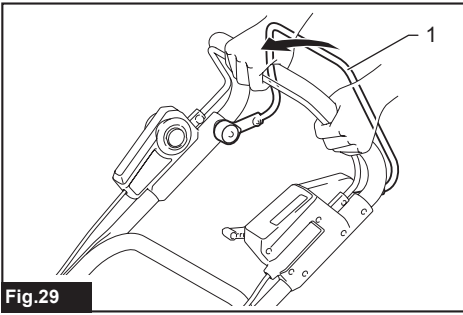


Fig.29

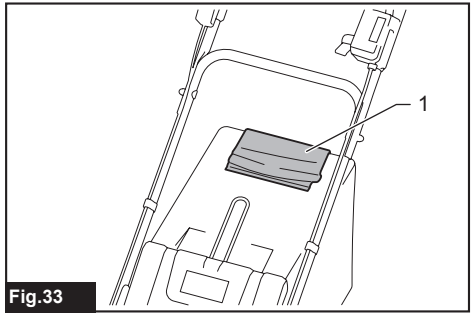


Fig.33

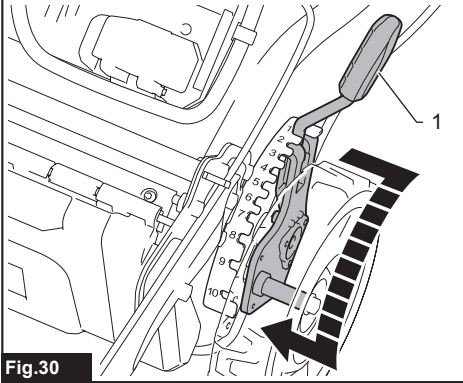


Fig.30

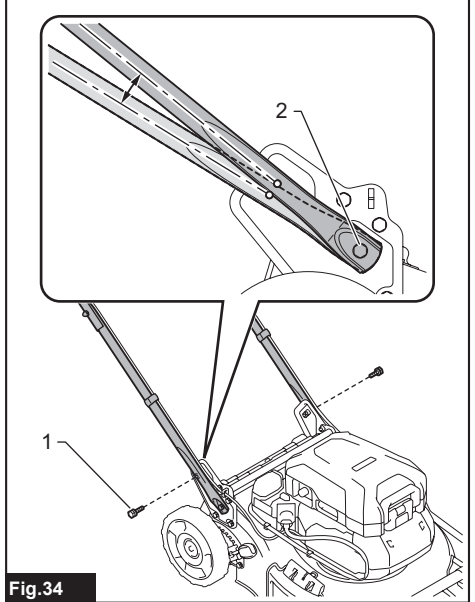


Fig.34

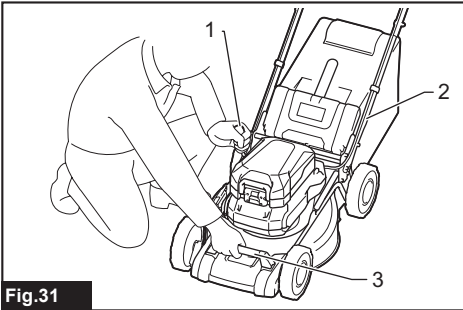


Fig.31

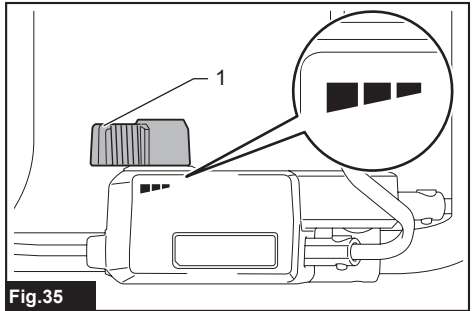


Fig.35

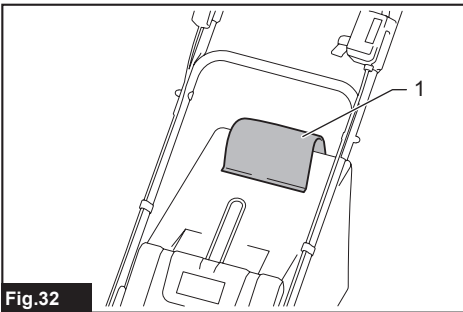


Fig.32

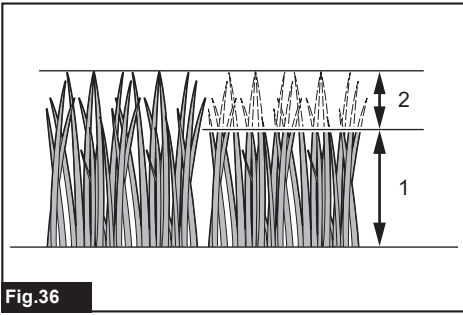


Fig.36

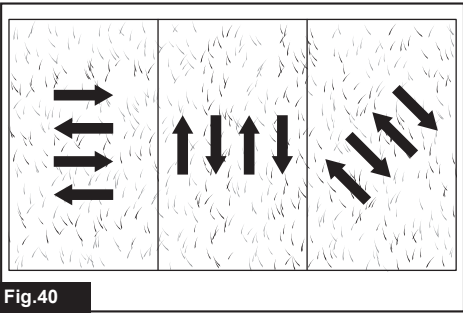


Fig.40



Fig.37

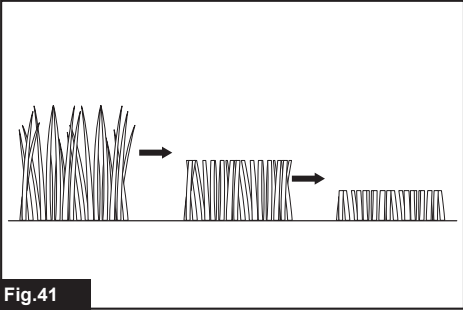


Fig.41

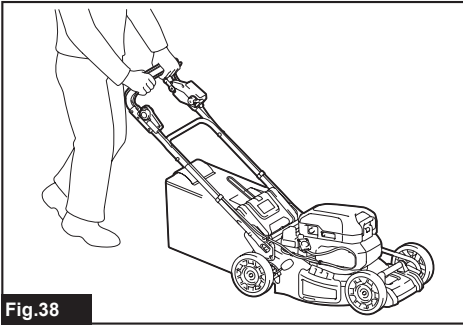


Fig.38

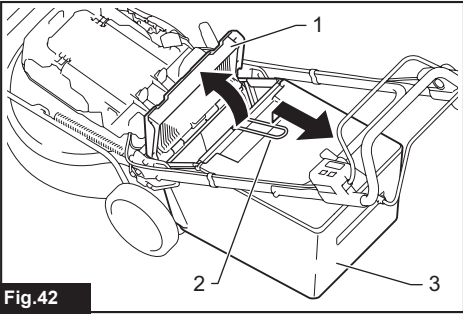


Fig.42

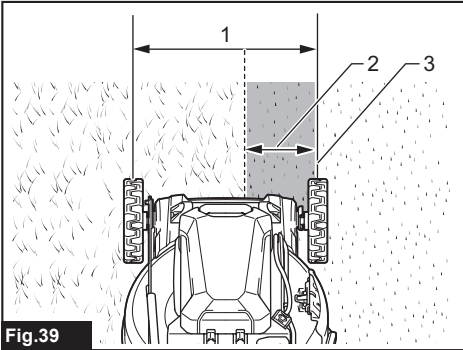


Fig.39

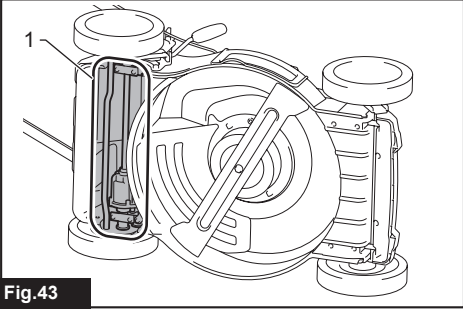


Fig.43

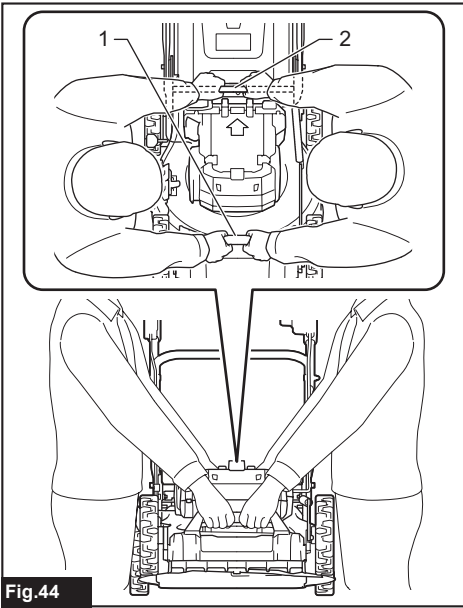


Fig.44

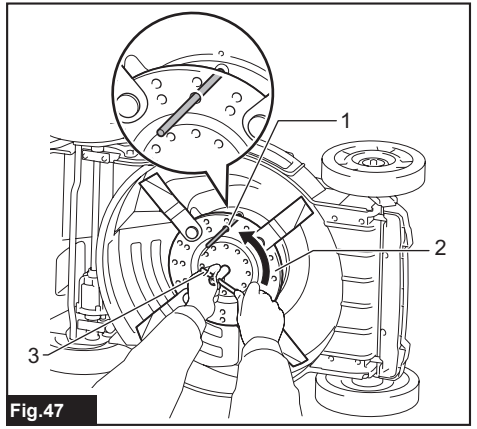


Fig.47

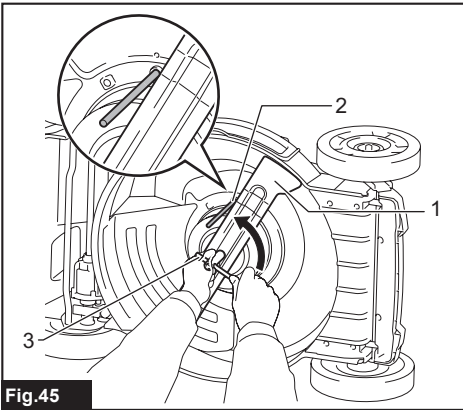


Fig.45

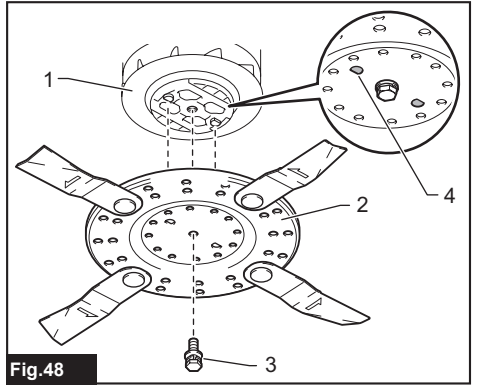


Fig.48

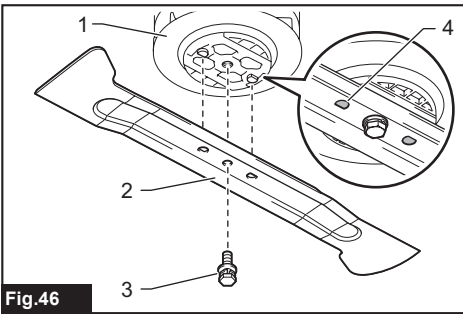


Fig.46

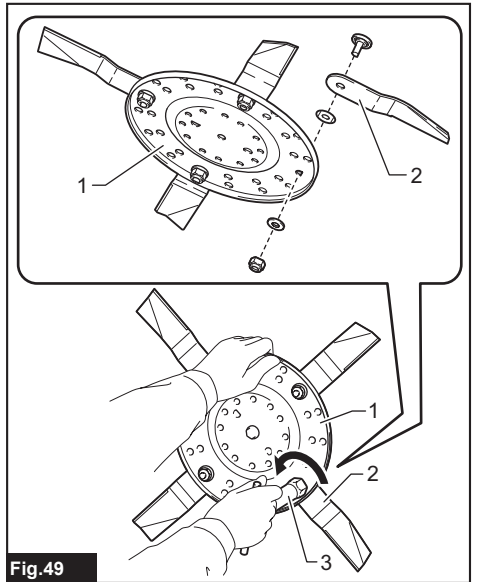


Fig.49

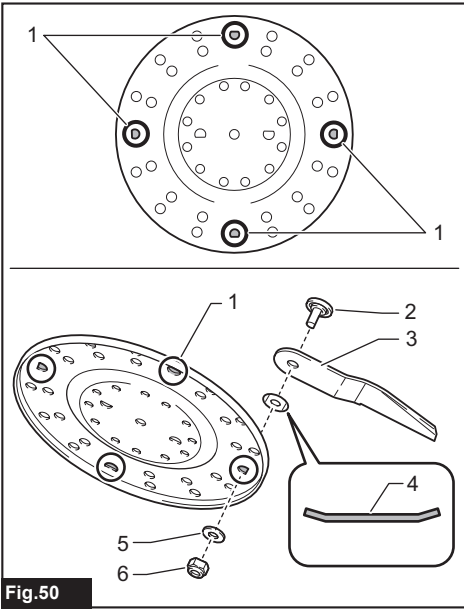


Fig.50

SPECIFICATIONS

| | | |
|--|---|---------------------------------|
| Model: | | LM001C |
| Mowing width (blade diameter) | | 534 mm |
| No load speed | Normal mode | 2,800 min ⁻¹ |
| | Soft no-load mode | 2,300 - 2,800 min ⁻¹ |
| | Noise reduction mode | 2,300 min ⁻¹ |
| Part number of replacement mower blade | Straight mower blade | 191D52-7 |
| | Swing back mower blades *1 | 191D50-1 |
| | Swing back mower blades *2 | 191D48-8 |
| Dimensions (L x W x H) | L: 1,630 mm to 1,715 mm W: 590 mm H: 990 mm to 1,095 mm | |
| Traveling speed | 2.5 - 5.0 km/h | |
| Rated voltage | D.C. 36 V - 40 V max | |
| Net weight | When straight mower blade is installed | 42.1 - 48.9 kg |
| | When swing back mower blades are installed | 42.8 - 49.5 kg |
| Protection degree | IPX4 | |

*1. Base plate and individual mower blades.

*2. Individual mower blades only.

- Due to our continuing program of research and development, the specifications herein are subject to change without notice.
- Specifications may differ from country to country.
- The weight may differ depending on the attachment(s), including the battery cartridge. The lightest and heaviest combination, according to EPTA-Procedure 01/2014, are shown in the table.







Applicable portable power pack

PDC1200 / PDC01

⚠ WARNING: Only use the portable power packs listed above. Use of any other portable power packs may cause injury and/or fire.

Symbols

The followings show the symbols which may be used for the equipment. Be sure that you understand their meaning before use.

| | |
|--|--|
|  | Take particular care and attention. |
|  | Read instruction manual. |
|  | Danger; be aware of thrown objects. |
|  | The distance between the tool and bystanders must be at least 15 m. |
|  | Never put your hands and feet near the blade under the mower. Blades continue to rotate after the motor is switched off. |
|  | Remove the lock key before inspecting, adjusting, cleaning, servicing, leaving and storing the mower. |



Electrical hazard. Contact with water can cause electric shock.



Do not pour water.



Attach the cord to the cord holders.



Only for EU countries
Due to the presence of hazardous components in the equipment, waste electrical and electronic equipment, accumulators and batteries may have a negative impact on the environment and human health. Do not dispose of electrical and electronic appliances or batteries with household waste!
In accordance with the European Directive on waste electrical and electronic equipment and on accumulators and batteries, as well as their adaptation to national law, waste electrical equipment, batteries and accumulators should be stored separately and delivered to a separate collection point for municipal waste, operating in accordance with the regulations on environmental protection.
This is indicated by the symbol of the crossed-out wheeled bin placed on the equipment.

Intended use

The machine is intended for lawn mowing.

About this instruction manual

The term "battery" or "battery cartridge" in this instruction manual refers to the followings:

- Portable power pack
- Portable power pack to which battery cartridges are installed
- Battery cartridge which is installed to portable power pack

Noise

The typical A-weighted noise level determined according to EN60335-2-77:

NOTE: The values have been measured with the mower equipped with the straight mower blade.

Sound pressure level (L_{pA}) : 80.0 dB(A)

Sound power level (L_{WA}) : 91.2 dB (A)

Uncertainty (K) : 3 dB(A)

The noise level under working may exceed 80 dB (A).

NOTE: The declared noise emission value(s) has been measured in accordance with a standard test method and may be used for comparing one tool with another.

NOTE: The declared noise emission value(s) may also be used in a preliminary assessment of exposure.

⚠WARNING: Wear ear protection.

⚠WARNING: The noise emission during actual use of the power tool can differ from the declared value(s) depending on the ways in which the tool is used especially what kind of workpiece is processed.

⚠WARNING: Be sure to identify safety measures to protect the operator that are based on an estimation of exposure in the actual conditions of use (taking account of all parts of the operating cycle such as the times when the tool is switched off and when it is running idle in addition to the trigger time).

Vibration

The vibration total value (tri-axial vector sum) determined according to EN60335-2-77:

NOTE: The values have been measured with the mower equipped with the straight mower blade.

Vibration emission (a_h) : 2.5 m/s² or less

Uncertainty (K) : 1.5 m/s²

NOTE: The declared vibration total value(s) has been measured in accordance with a standard test method and may be used for comparing one tool with another.

NOTE: The declared vibration total value(s) may also be used in a preliminary assessment of exposure.

⚠WARNING: The vibration emission during actual use of the power tool can differ from the declared value(s) depending on the ways in which the tool is used especially what kind of workpiece is processed.

⚠WARNING: Be sure to identify safety measures to protect the operator that are based on an estimation of exposure in the actual conditions of use (taking account of all parts of the operating cycle such as the times when the tool is switched off and when it is running idle in addition to the trigger time).

EC Declaration of Conformity

For European countries only

The EC declaration of conformity is included as Annex A to this instruction manual.

SAFETY WARNINGS

IMPORTANT SAFETY INSTRUCTIONS

⚠WARNING: Read all safety warnings and all instructions. Failure to follow the warnings and instructions may result in electric shock, fire and/or serious injury.

Save all warnings and instructions for future reference.

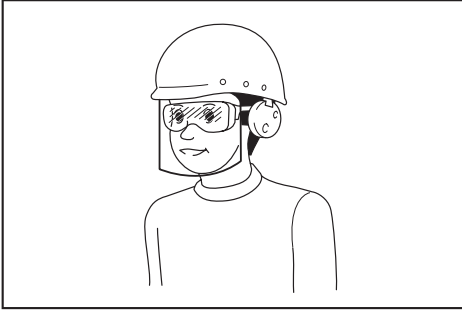
Training

1. Read the instructions carefully. Be familiar with the controls and the proper use of the mower.
2. Never allow children or people unfamiliar with these instructions to use the mower. Local regulations can restrict the age of the operator.
3. Never operate the mower while people, especially children, or pets are nearby.
4. Keep in mind that the operator or user is responsible for accidents or hazards occurring to other people or their property.
5. Children should be supervised to ensure that they do not play with the mower.
6. Physical condition - Do not operate mower while under the influence of drugs, alcohol, or any medication.

Preparation

1. While operating the mower, always wear substantial footwear and long trousers. Do not operate the mower when barefoot or wearing open sandals. Avoid wearing clothing or jewelry that is loose fitting or that has hanging cords or ties. They can be caught in moving parts.
2. Before use, always visually inspect the mower for damaged, missing or misplaced guards or shields.
3. Be sure the area is clear of other people before mowing. Stop mower if anyone enters the area.

4. Do not insert the lock key into mower until it is ready to be used.
5. Always wear protective goggles to protect your eyes from injury when using power tools. The goggles must comply with ANSI Z87.1 in the USA, EN 166 in Europe, or AS/NZS 1336 in Australia/New Zealand. In Australia/New Zealand, it is legally required to wear a face shield to protect your face, too.



It is an employer's responsibility to enforce the use of appropriate safety protective equipments by the tool operators and by other persons in the immediate working area.

6. Check the blades or blade bolts carefully for cracks or damage before operation. Replace cracked or damaged blades or blade bolts immediately.
7. Remove foreign matters such as rocks, wire, bottles, bones and large sticks from the work area before mowing to prevent personal injury or damage to the mower.
8. Objects struck by the mower blade can cause severe injuries to persons. The lawn should always be carefully examined and cleared of all objects prior to each mowing.
9. Watch for holes, ruts, bumps, rocks, or other hidden objects. Uneven terrain could cause a slip and fall accident. Tall grass can hide obstacles.
10. Do not insert or remove the lock key in the rain.
11. Use personal protective equipment. Always wear eye protection. Protective equipment such as a dust mask, non-skid safety shoes, hard hat or hearing protection used for appropriate conditions will reduce personal injuries.

Operation

1. Do not overreach. Keep the balance at all times. Always be sure of the footing on slopes. Walk, never run.
2. Stop the mower and remove the lock key, and make sure that all moving parts have come to a complete stop:
 - whenever you leave the mower,
 - before clearing blockages or unclogging chute,
 - before checking, cleaning or working on the mower,
 - after striking a foreign object. Inspect the mower for damage and make repairs before restarting and operating the mower,
 - whenever the mower starts vibrating abnormally.
3. Never operate the mower with defective guards or shields, or without safety devices, for example deflectors and/or grass basket, in place.
4. Avoid using the mower in bad weather conditions especially when there is a risk of lightning.
5. Wear eye protection and stout shoes at all times while operating the mower.
6. Operate the mower only in daylight or in good artificial light.
7. Switch on the mower carefully according to instructions and with feet well away from the blade(s).
8. Take care against injury to feet and hands from the mower blades.
9. Always ensure that the ventilation openings are kept clear of debris.
10. Mow across the face of slopes, never up and down. Exercise extreme caution when changing direction on slopes. Do not mow excessively steep slopes.
11. Use extreme caution when reversing or pulling the mower towards you.
12. Stop the blade(s) if the mower has to be tilted for transportation when crossing surfaces other than grass, and when transporting the mower to and from the area to be used.
13. Do not tilt the mower when switching on the motor, except if the mower has to be tilted for starting. In this case, do not tilt it more than absolutely necessary and lift only the part, which is away from the operator. Always ensure that both hands are in the operating position before returning the mower to the ground.
14. Do not put hands or feet near or under rotating parts. Keep clear of the discharge opening at all times.
15. Do not transport the mower while the mower is turned on.
16. Avoid operating the mower in wet grass.
17. Always keep a firm hold on the handle.
18. Don't grasp the exposed cutting blades or cutting edges when picking up or holding the mower.
19. Keep hands and feet away from rotating blades. Caution - Blades coast after the mower is switched off.
20. Stop operation immediately if you notice anything unusual. Switch off the mower and remove the lock key. Then inspect the mower.
21. Never attempt to make cutting height adjustments while mower is running if the mower has cutting height adjustment feature.
22. Release switch lever and wait for blade rotation to stop before crossing driveways, walks, roads, and any gravel-covered areas. Also remove the lock key if you leave the mower, reach to pick up or remove something out of your way, or for any other reason that may distract you from what you are doing.
23. If the mower strikes a foreign object, follow these steps:
 - Stop the mower, release the switch lever and wait until the blade comes to a complete stop.
 - Remove the lock key and the battery cartridge.
 - Thoroughly inspect the mower for any damage.
 - Replace the blade if it is damaged in any way. Repair any damage before restarting and continuing to operate the mower.

24. **Do not start the mower when standing in front of the discharge opening.**
25. **If the mower starts to vibrate abnormally (check immediately)**
 - inspect for damage,
 - replace or repair any damaged parts,
 - check for and tighten any loose parts.
26. **Never direct discharged material toward anyone. Avoid discharging material against a wall or obstruction.** Material may ricochet back toward the operator. Stop the blade when crossing gravel surfaces.
27. **Do not pull the mower backwards unless absolutely necessary.** When you are compelled to back the mower from a fence or other similar obstruction, look down and behind before and while moving backwards.
28. **Shut the motor off and wait until the blade comes to a complete stop before removing the grass catcher.** Beware that the blades coast after turn off.
29. **When you use the machine on muddy ground, wet slope, or slippery place, pay attention to your footing.**
30. **Avoid working in poor environment where increased user fatigue is expected.**
31. **Do not use the machine in bad weather where visibility is limited.** Failure to do so may cause fall or incorrect operation due to low visibility.
32. **Do not submerge the machine into a puddle.**
33. **When wet leaves or dirt adhere to the suction mouth (ventilation window) due to rain, remove them.**
34. **Do not use the machine in the snow.**
35. **If the cut-off grass is wet, it is likely to be clogged inside of the machine. Check the condition of the machine regularly, and remove the adhered grass as necessary.**
36. **When operating the machine, pay attention to piping and wiring.**

Maintenance and storage

1. **Replace worn or damaged parts for safety.** Use only genuine replacement parts and accessories.
2. **Inspect and maintain the mower regularly.**
3. **When not in use, store the mower out of the reach of children.**
4. **Keep all nuts, bolts, and screws tight to be sure the equipment is in safe working condition.**
5. **Check the grass basket frequently for wear or deterioration.** For storage, always make sure the grass basket is empty. Replace a worn grass basket with a new factory replacement for safety.
6. **Use only the manufacturer genuine blades specified in this manual.**
7. **Be careful during adjustment of the mower to prevent entrapment of the fingers between moving blades and fixed parts of the mower.**
8. **Check the blade mounting bolt at frequent intervals for proper tightness.**
9. **Always allow the mower to cool down before storing.**

10. **When servicing the blades be aware that, even though the power source is switched off, the blades can still be moved.**
11. **Never remove or tamper with safety devices. Check their proper operation regularly. Never do anything to interfere with the intended function of a safety device or to reduce the protection provided by a safety device.**
12. **Do not leave the machine unattended outdoors in the rain.**
13. **Do not wash the machine with high pressure water.**
14. **When washing the machine, be sure water to remove the battery and lock key, and pour water toward the bottom of the machine to which the blade is attached.**
15. **When storing the machine, avoid direct sunlight and rain, and store it in a place where it does not get hot or humid.**
16. **Perform inspection or maintenance in a place where rain can be avoided.**
17. **After using the machine, remove the adhered dirt and dry the machine completely before storing.** Depending on the season or the area, there is a risk of malfunction due to freezing.

Battery tool use and care

1. **Recharge only with the charger specified by the manufacturer.** A charger that is suitable for one type of battery pack may create a risk of fire when used with another battery pack.
2. **Use power tools only with specifically designed battery packs.** Use of any other battery packs may create a risk of injury and fire.
3. **When battery pack is not in use, keep it away from other metal objects, like paper clips, coins, keys, nails, screws or other small metal objects, that can make a connection from one terminal to another.** Shorting the battery terminals together may cause burns or a fire.
4. **Under abusive conditions, liquid may be ejected from the battery; avoid contact. If contact accidentally occurs, flush with water. If liquid contacts eyes, additionally seek medical help.** Liquid ejected from the battery may cause irritation or burns.
5. **Do not use a battery pack or tool that is damaged or modified.** Damaged or modified batteries may exhibit unpredictable behaviour resulting in fire, explosion or risk of injury.
6. **Do not expose a battery pack or tool to fire or excessive temperature.** Exposure to fire or temperature above 130 °C may cause explosion.
7. **Follow all charging instructions and do not charge the battery pack or tool outside the temperature range specified in the instructions.** Charging improperly or at temperatures outside the specified range may damage the battery and increase the risk of fire.

Electrical and battery safety

1. **Do not dispose of the battery(ies) in a fire.** The cell may explode. Check with local codes for possible special disposal instructions.
2. **Do not open or mutilate the battery(ies).** Released electrolyte is corrosive and may cause damage to the eyes or skin. It may be toxic if swallowed.

3. Do not charge battery in rain, or in wet locations.
4. Do not charge the battery outdoors.
5. Do not handle charger, including charger plug, and charger terminals with wet hands.
6. Do not replace the battery in the rain.
7. Do not wet the terminal of battery with liquid such as water, or submerge the battery. Do not leave the battery in the rain, nor charge, use, or store the battery in a damp or wet place. If the terminal gets wet or liquid enters inside of battery, the battery may be short circuited and there is a risk of overheat, fire, or explosion.
8. After removing the battery from the machine or charger, be sure to attach the battery cover to the battery and store it in a dry place.
9. Do not replace the battery with wet hands.
10. If the battery cartridge gets wet, drain the water inside and then wipe it with a dry cloth. Dry the battery cartridge completely in a dry place before use.
11. Avoid dangerous environment. Don't use the machine in dump or wet locations or expose it to rain. Water entering the machine will increase the risk of electric shock.

Service

1. Have your power tool serviced by a qualified repair person using only identical replacement parts. This will ensure that the safety of the power tool is maintained.
2. Never service damaged battery packs. Service of battery packs should only be performed by the manufacturer or authorized service providers.

SAVE THESE INSTRUCTIONS.

⚠WARNING: DO NOT let comfort or familiarity with product (gained from repeated use) replace strict adherence to safety rules for the subject product.

MISUSE or failure to follow the safety rules stated in this instruction manual may cause serious personal injury.

Important safety instructions for battery cartridge

1. Before using battery cartridge, read all instructions and cautionary markings on (1) battery charger, (2) battery, and (3) product using battery.
2. Do not disassemble or tamper with the battery cartridge. It may result in a fire, excessive heat, or explosion.
3. If operating time has become excessively shorter, stop operating immediately. It may result in a risk of overheating, possible burns and even an explosion.
4. If electrolyte gets into your eyes, rinse them out with clear water and seek medical attention right away. It may result in loss of your eyesight.

5. Do not short the battery cartridge:
 - (1) Do not touch the terminals with any conductive material.
 - (2) Avoid storing battery cartridge in a container with other metal objects such as nails, coins, etc.
 - (3) Do not expose battery cartridge to water or rain.

A battery short can cause a large current flow, overheating, possible burns and even a breakdown.

6. Do not store and use the tool and battery cartridge in locations where the temperature may reach or exceed 50 °C (122 °F).
7. Do not incinerate the battery cartridge even if it is severely damaged or is completely worn out. The battery cartridge can explode in a fire.
8. Do not nail, cut, crush, throw, drop the battery cartridge, or hit against a hard object to the battery cartridge. Such conduct may result in a fire, excessive heat, or explosion.
9. Do not use a damaged battery.
10. The contained lithium-ion batteries are subject to the Dangerous Goods Legislation requirements. For commercial transports e.g. by third parties, forwarding agents, special requirement on packaging and labeling must be observed. For preparation of the item being shipped, consulting an expert for hazardous material is required. Please also observe possibly more detailed national regulations. Tape or mask off open contacts and pack up the battery in such a manner that it cannot move around in the packaging.
11. When disposing the battery cartridge, remove it from the tool and dispose of it in a safe place. Follow your local regulations relating to disposal of battery.
12. Use the batteries only with the products specified by Makita. Installing the batteries to non-compliant products may result in a fire, excessive heat, explosion, or leak of electrolyte.
13. If the tool is not used for a long period of time, the battery must be removed from the tool.
14. During and after use, the battery cartridge may take on heat which can cause burns or low temperature burns. Pay attention to the handling of hot battery cartridges.
15. Do not touch the terminal of the tool immediately after use as it may get hot enough to cause burns.
16. Do not allow chips, dust, or soil stuck into the terminals, holes, and grooves of the battery cartridge. It may result in poor performance or breakdown of the tool or battery cartridge.
17. Unless the tool supports the use near high-voltage electrical power lines, do not use the battery cartridge near high-voltage electrical power lines. It may result in a malfunction or breakdown of the tool or battery cartridge.
18. Keep the battery away from children.

SAVE THESE INSTRUCTIONS.

⚠CAUTION: Only use genuine Makita batteries. Use of non-genuine Makita batteries, or batteries that have been altered, may result in the battery bursting causing fires, personal injury and damage. It will also void the Makita warranty for the Makita tool and charger.

Tips for maintaining maximum battery life

1. Charge the battery cartridge before completely discharged. Always stop tool operation and charge the battery cartridge when you notice less tool power.
2. Never recharge a fully charged battery cartridge. Overcharging shortens the battery service life.
3. Charge the battery cartridge with room temperature at 10 °C - 40 °C (50 °F - 104 °F). Let a hot battery cartridge cool down before charging it.
4. When not using the battery cartridge, remove it from the tool or the charger.
5. Charge the battery cartridge if you do not use it for a long period (more than six months).

ASSEMBLY

⚠ WARNING: Always be sure that the lock key and battery cartridge are removed before carrying out any work on the mower. Failure to remove the lock key and the battery cartridge may result in serious personal injury from accidental start-up.

⚠ WARNING: Never start the mower unless it is completely assembled. Operation of the machine in a partially assembled state may result in serious personal injury from accidental start-up.

Installing the handle

NOTICE: When installing handles, position the cords so that they are not caught by anything between the handles. If the cord is damaged, the mower switch may not work.

1. Align the holes in the lower handle with the holes in the mower body, and then tighten 4 bolts temporarily.
▶ Fig.1: 1. Lower handle 2. Bolt
2. Firmly tighten 4 bolts which were temporarily tightened in step 1 using box wrench 13.
3. Align the hole in the lower handle with the hole in the upper handle, then insert the bolt from inside, and then tighten the nut from outside with box wrench 13. Perform the same procedure on the other side.
▶ Fig.2: 1. Bolt 2. Lower handle 3. Nut 4. Hole 5. Upper handle

⚠ CAUTION: Hold the upper handle firmly so that it does not drop off your hand. Otherwise, the handle may fall and cause an injury.

4. Attach the holders to the handle.

Align the protrusions on the holder with the holes on the handle so that the protrusions fit in the holes. Position the cords as shown in the figure.

- ▶ Fig.3: 1. Cord 2. Holder

Removing the mulching plug

1. Open the rear cover.
▶ Fig.4: 1. Rear cover
2. Remove the mulching plug while holding down the lever.
▶ Fig.5: 1. Lever 2. Mulching plug

Assembling the grass basket

1. Insert the frame into the grass basket as far as it will go.
▶ Fig.6: 1. Frame 2. Grass basket
2. Attach the top clip to the frame as shown in the figure.
▶ Fig.7: 1. Clip
3. Attach all the clips to the frame as shown in the figure. Make sure that all the clips are securely attached to the frame.
▶ Fig.8

Installing or removing the grass basket

To install the grass basket, follow the steps below.

1. Open the rear cover.
▶ Fig.9: 1. Rear cover
2. Hold the handle of the grass basket, and then hook the grass basket on the rod of the mower body as shown in the figure.
▶ Fig.10: 1. Rod 2. Handle 3. Grass basket

To remove the grass basket, open the rear cover, and then remove the grass basket by holding the handle.

Attaching the mulching plug

1. Open the rear cover, and then remove the grass basket.
▶ Fig.11: 1. Rear cover 2. Grass basket
2. Attach the mulching plug while holding down the lever, and then release the lever to lock the mulching plug.
▶ Fig.12: 1. Lever 2. Mulching plug

Attaching the discharge attachment

1. Open the rear cover, and then remove the grass basket.
▶ Fig.13: 1. Rear cover 2. Grass basket
2. Attach the mulching plug while holding down the lever, and then release the lever to lock the mulching plug.
▶ Fig.14: 1. Lever 2. Mulching plug
3. Open the right side cover, and then attach the discharge attachment.

Insert the hooks of the discharge attachment under the rod of the right side cover.

- ▶ Fig.15: 1. Right side cover 2. Discharge attachment

FUNCTIONAL DESCRIPTION

Installing or removing portable power pack

⚠ CAUTION: Always switch off the machine before installing or removing the portable power pack.

⚠ CAUTION: Hold the machine and the portable power pack firmly when installing or removing portable power pack. Failure to hold them firmly may cause them to slip off your hands and result in damage to the machine and portable power pack and a personal injury.

⚠ CAUTION: Make sure that the portable power pack is securely installed to the machine. If not, it may accidentally fall out of the machine, causing injury to you or someone around you.

⚠ CAUTION: Before operation, make sure that the cord is securely attached to the cord holders and the socket is inserted into the plug all the way.

For PDC1200

1. Place the cord of the portable power pack as shown in the figure.
▶ **Fig.16:** 1. Portable power pack 2. Cord
2. Install the portable power pack to the machine as shown in the figure.
▶ **Fig.17:** 1. Battery support lever 2. Portable power pack 3. Lock button

⚠ CAUTION: Make sure that the portable power pack is securely locked to the battery support levers and the lock button is securely locked.

3. Attach the cord to the cord holders as shown in the figure. Open the plug cover, then align the arrow mark on the socket with that on the machine, and then insert the socket into the plug all the way.
▶ **Fig.18:** 1. Plug cover 2. Arrow mark 3. Socket 4. Cord

NOTICE: Do not insert the socket forcibly. If the socket cannot be inserted easily, it is not being inserted correctly.

NOTICE: When disconnecting the socket from the plug, do not hold the cord but hold the socket. Otherwise, the cord may be damaged and cause a malfunction of the machine.

4. Open the lock key cover, then insert the lock key in the place shown in the figure as far as it will go, and then close the lock key cover.
▶ **Fig.19:** 1. Lock key 2. Lock key cover

To remove the portable power pack, perform the installation procedure in reverse.

For PDC01

NOTE: Before installing the portable power pack to the machine, install at least one battery to battery port 1 or 2, and at least one battery to battery port 3 or 4.

1. Place the cord of the portable power pack as shown in the figure.
▶ **Fig.20:** 1. Portable power pack 2. Cord
2. Install the portable power pack to the machine as shown in the figure. Lock the locking levers on both sides of the portable power pack.
▶ **Fig.21:** 1. Battery support lever 2. Locking lever 3. Portable power pack

⚠ CAUTION: Make sure that the portable power pack is securely locked to the battery support levers and the locking levers are securely locked.

3. Attach the cord to the cord holders as shown in the figure. Open the plug cover, then align the arrow mark on the socket with that on the machine, and then insert the socket into the plug all the way.
▶ **Fig.22:** 1. Plug cover 2. Arrow mark 3. Socket 4. Cord

NOTICE: Do not insert the socket forcibly. If the socket cannot be inserted easily, it is not being inserted correctly.

NOTICE: When disconnecting the socket from the plug, do not hold the cord but hold the socket. Otherwise, the cord may be damaged and cause a malfunction of the machine.

4. Open the lock key cover, then insert the lock key in the place shown in the figure as far as it will go, and then close the lock key cover.
▶ **Fig.23:** 1. Lock key 2. Lock key cover

To remove the portable power pack, perform the installation procedure in reverse.

Machine / battery protection system

The machine is equipped with a machine/battery protection system. This system automatically cuts off power to the motor to extend machine and battery life. The machine will automatically stop during operation if the machine or battery is placed under one of the following conditions:

Overload protection

When the battery is operated in a manner that causes it to draw an abnormally high current, the machine automatically stops and the main power lamp blinks in green. In this situation, turn the machine off and stop the application that caused the machine to become overloaded. Then turn the machine on to restart.

Overheat protection

When the machine or battery is overheated, the machine stops automatically and the main power lamp lights up in red. In this case, let the machine and battery cool before turning the machine on again.

Overdischarge protection

When the battery capacity is not enough, the machine stops automatically, and the main power lamp blinks in red, and the indicator lamp lights up. In this case, remove the battery from the machine and charge the battery or change the battery to fully charged ones.

Control panel

The control panel has the main power switch and the mode switching button.

- **Fig.24:** 1. Soft no-load mode lamp 2. Noise reduction mode lamp 3. Mode switching button 4. Main power lamp 5. Main power switch

Main power switch

⚠ WARNING: Always turn off the main power switch when not in use.

To turn on the machine, press the main power switch. The main power lamp lights up in green. To turn off the machine, press the main power switch again.

NOTE: If the main power lamp lights up in red or blinks in red or green, refer to the instructions for machine/battery protection system.

NOTE: This machine employs the auto power-off function. To avoid unintentional start up, the main power switch will automatically shut down when the switch lever and drive lever (if equipped) are not pulled for a certain period after the main power switch is turned on.

Mode switching button

You can switch the operating mode by pressing the mode switching button. When the machine is turned on, the machine starts up in the normal mode.

When you press the mode switching button, the machine shifts to the soft no-load mode and the soft no-load mode lamp lights up in green. In the soft no-load mode, you can minimize start-up shock.

When you press the mode switching button again, the machine shifts to the noise reduction mode and the noise reduction mode lamp lights up in green. In the noise reduction mode, you can decrease the noise at mowing. When you press the mode switching button again, the machine returns to the normal mode.

Indicating the remaining battery capacity

When the remaining battery capacity becomes low, the indicator lamp blinks or lights up.

- **Fig.25:** 1. Indicator lamp

| Indicator lamp | | | Remaining capacity |
|----------------|----------|---------|---------------------|
| Off | Blinking | Lighted | |
| | | | 20% to 100% |
| | | | 0% to 20% |
| | | | Charge the battery. |

NOTE: The indicator lamp for remaining battery capacity is just for a reference. The actual battery capacity may differ depending on the usage conditions.

NOTE: The display of the indicator lamp is updated when the machine stops operation.

Switch action

⚠ WARNING: Before installing the portable power pack, always check to see that the switch lever actuates properly and returns to the original position when released. Operating the machine with a switch that does not actuate properly can lead to loss of control and serious personal injury.

NOTE: The mower does not start without pressing the switch button even the switch lever is pulled.

NOTE: Mower may not start due to the overload when you try to mow long or dense grass at a time. Increase the mowing height in this case.

This mower is equipped with the lock key and handle switch. If you notice anything unusual with either of the lock key or switch, stop the operation immediately and have them checked by your nearest Makita Authorized Service Center.

1. Install the portable power pack, and then insert the lock key.
2. Press the power button on the portable power pack. The main power lamp will light up.

For PDC1200

- **Fig.26:** 1. Power button 2. Main power lamp

For PDC01

- **Fig.27:** 1. Power button 2. Main power lamp

3. Press the main power switch.
4. Pull the switch lever toward you while holding down the switch button. Release the switch button as soon as the motor starts running.

- **Fig.28:** 1. Switch button 2. Switch lever

NOTE: If the lock key is not inserted, the power lamp blinks in green when you pull the switch lever.

5. While holding the switch lever, push the drive lever forward and hold it to drive the rear wheels.

- **Fig.29:** 1. Drive lever

NOTE: You can drive the rear wheels by pushing the drive lever forward and hold it without pulling the switch lever.

6. Release the drive lever and the switch lever to stop the machine.

Adjusting the mowing height

⚠ WARNING: Never put your hand or leg under the mower body when adjusting the mowing height.

⚠ WARNING: Always make sure that the lever fits in the groove properly before operation.

The mowing height can be adjusted in the range of between 20 mm and 100 mm.

Remove the lock key, and then pull the mowing height adjusting lever outward of the mower body and move it to your desired mowing height.

- **Fig.30:** 1. Mowing height adjusting lever

The table below shows the relationship between the number on the mower body and the approximate mowing height.

| Number | Mowing height |
|--------|---------------|
| 1 | 20 mm |
| 2 | 26 mm |
| 3 | 32 mm |
| 4 | 39 mm |
| 5 | 47 mm |
| 6 | 55 mm |
| 7 | 63 mm |
| 8 | 74 mm |
| 9 | 86 mm |
| 10 | 100 mm |

Hold the front grip or the lower handle with one hand, and then move the mowing height adjusting lever with the other hand.

► **Fig.31:** 1. Mowing height adjusting lever 2. Lower handle 3. Front grip

NOTE: The mowing height figures should be used just as a guideline. Depending on the conditions of the lawn or the ground, the actual lawn height may become slightly different from the set height.

NOTE: Try a test mowing of grass in a less conspicuous place to get your desired height.

Grass level indicator

Grass level indicator shows the volume of mowed grass. When the grass basket is not full, the indicator floats while the blades are running.

► **Fig.32:** 1. Grass level indicator

When the grass basket is almost full, the indicator does not float while the blades are running. In this case, stop the operation immediately and empty the basket.

► **Fig.33:** 1. Grass level indicator

NOTE: This indicator is a rough guide. Depending on the conditions of inside of the basket, this indicator may not work properly.

Adjusting the handle height

CAUTION: Before removing the bolts, hold the upper handle firmly. Otherwise, the handle may fall and cause an injury.

The handle height can be adjusted in two levels.

1. Remove the upper bolts of the lower handle using box wrench 13, and then loosen the lower bolts.

► **Fig.34:** 1. Upper bolt 2. Lower bolt

2. Adjust the handle height, and then tighten the upper and lower bolts firmly.

Adjusting the traveling speed

► **Fig.35:** 1. Speed lever

The traveling speed can be adjusted with the speed lever. To decrease the speed, pull the lever toward you, and to increase the speed, turn the lever forward.

Using mulching plug

The mulching plug allows you to return the cut grass to the ground without gathering the cut grass in the grass basket. When you operate the machine with the mulching plug, be sure to remove the grass basket.

NOTICE: When using the machine with the mulching plug, make sure that the total length of grass after cutting is 30 mm or more, and the cut length is 15 mm or less.

► **Fig.36:** (1) 30 mm or more (2) 15 mm or less

Using discharge attachment

The discharge attachment allows you to discharge the cut grass to the ground from the right side of the machine without gathering the cut grass in the grass basket. When you operate the machine with the discharge attachment, be sure to install the mulching plug and remove the grass basket.

Electronic function

The machine is equipped with the electronic functions for easy operation.

- Constant speed control of blade rotation
Electronic speed control for obtaining constant speed. Possible to get fine finish, because the rotating speed is kept constant even under load condition.
- Soft start at driving
The soft-start function minimizes start-up shock, and makes the machine start smoothly.
- Electric brake
This machine is equipped with an electric brake. If the machine consistently fails to quickly stop the mower blades after releasing the switch lever, have the machine serviced at Makita Authorized Service Center.

OPERATION

Mowing

WARNING: Before mowing, clear away sticks and stones from mowing area. Furthermore, clear away any weeds from mowing area in advance.

WARNING: Always wear the safety goggles or safety glasses with side shields when operating the mower.

CAUTION: If the cut grass or foreign object blocks up inside of the mower body, be sure to remove the lock key and battery cartridge and wear gloves before removing the grass or foreign object.

NOTICE: Use this machine for mowing lawn only. Do not mow weeds with this machine.

► Fig.37

Firmly hold the handle with both hands when mowing. The mowing speed guideline is approximately 7 to 14 meters per 10 seconds.

► Fig.38

The center lines of the front wheels are guidelines to mowing width. Using the center lines as guidelines, mow in strips. Overlap by one half to one third the previous strip to mow the lawn evenly.

- Fig.39: 1. Mowing width 2. Overlapping area 3. Center line

Change the mowing direction each time to prevent the grass grain pattern from forming in just one direction.

► Fig.40

Periodically check the grass basket for mowed grass. Empty the grass before it becomes full. Before every periodical check, be sure to stop the mower then remove the lock key and the socket of the portable power pack.

NOTICE: Using the mower with the grass basket full prevents smooth blade rotation and places an extra load on the motor, which may cause breakdown.

Mowing a long-grass lawn

Do not try to cut long grass all at once. Instead, mow the lawn in steps. Leave a day or two between mowings until the lawn becomes evenly short.

► Fig.41

NOTE: Mowing long grass to a short length all at once may cause the grass to die. The cut grass may also block up inside of the mower body.

Emptying the grass basket

WARNING: To reduce a risk of accident, regularly check the grass basket for any damage or weakened strength. Replace the grass basket if necessary.

1. Release the switch lever and drive lever.
2. Remove the lock key.
3. Open the rear cover and take out the grass basket by holding the handle.

► Fig.42: 1. Rear cover 2. Handle 3. Grass basket

4. Empty the grass basket.

MAINTENANCE

WARNING: Always be sure that the lock key and portable power pack are removed from the mower before storing or carrying the mower or attempting to perform inspection or maintenance.

WARNING: Always remove the lock key when the mower is not in use. Store the lock key in a safe place out of reach of children.

WARNING: Wear gloves when performing inspection or maintenance.

WARNING: Always wear the safety goggles or safety glasses with side shields when performing inspection or maintenance.

NOTICE: Never use gasoline, benzine, thinner, alcohol or the like. Discoloration, deformation or cracks may result.

To maintain product SAFETY and RELIABILITY, repairs, any other maintenance or adjustment should be performed by Makita Authorized or Factory Service Centers, always using Makita replacement parts.

Maintenance

1. Remove the lock key and portable power pack.
2. Put the mower on its side so that the mowing height adjusting lever comes to the upper side. Clean grass clippings accumulated on the underside of mower deck.
3. Pour water toward the bottom of the machine to which the blade is attached.

NOTICE: Do not wash the machine with high pressure water.

4. Check all nuts, bolts, screws, etc. for tightness.
5. Inspect moving parts for damage, breakage, and wear. Damaged or missing parts should be repaired or replaced.
6. Store the mower in a safe place out of the reach of children.

NOTICE: Do not pour water to the area shown in the figure. Pouring water to the motor unit may cause a malfunction of the machine.

► Fig.43: 1. Area where water should not be poured

Carrying the mower

When carrying the mower, hold the front grip and rear grip with two people as shown in the figure.

► Fig.44: 1. Front grip 2. Rear grip

Storing

Store mower indoors in a cool, dry and locked place. Don't store the mower and charger in locations where the temperature may reach or exceed 40 °C.

Removing or installing the mower blade

⚠ WARNING: The blade coasts for a few seconds after releasing the switch. Do not start any operation until the blade comes to a complete stop.

⚠ WARNING: Always remove the lock key and portable power pack when removing or installing the blade. Failure to remove the lock key and portable power pack may cause a serious injury.

⚠ WARNING: Always wear gloves when handling the blade.

Removing the mower blade

For models equipped with straight mower blade

1. Put the mower on its side so that the mowing height adjusting lever comes to the upper side.
2. To lock the blade, insert the pin into a hole on the mower body.
3. Turn the bolt counterclockwise with box wrench 17.
▶ **Fig.45:** 1. Mower blade 2. Pin 3. Box wrench
4. Remove the bolt, and then mower blade.
▶ **Fig.46:** 1. Blade support 2. Mower blade 3. Bolt 4. Protrusion

NOTICE: When installing the mower blade, make sure that the protrusions on the blade support fit in the holes in the mower blade.

For models equipped with swing back mower blades

1. Put the mower on its side so that the mowing height adjusting lever comes to the upper side.
2. To lock the base plate, insert the pin into a hole on the mower body through a hole on the base plate.
3. Turn the bolt counterclockwise with box wrench 17.
▶ **Fig.47:** 1. Pin 2. Base plate 3. Box wrench
4. Remove the bolt, and then base plate.
▶ **Fig.48:** 1. Blade support 2. Base plate 3. Bolt 4. Protrusion

NOTICE: When installing the mower blades, make sure that the protrusions on the blade support fit in the holes in the base plate.

5. To remove the individual mower blade, turn the bolt counterclockwise with box wrench 17 while holding the base plate.
▶ **Fig.49:** 1. Base plate 2. Mower blade 3. Box wrench
6. Remove the nut, washer, spring washer, mower blade, and bolt in order.
▶ **Fig.50:** 1. Bolt hole 2. Bolt 3. Mower blade 4. Spring washer 5. Washer 6. Nut

NOTICE: When tightening the nuts to install the individual mower blades, apply 30 N•m as tightening torque.

NOTICE: When installing the individual mower blade, be sure to attach the spring washer in the direction as shown in the figure.

NOTICE: When installing the individual mower blade, be sure to insert the bolts into the bolt holes shown in the figure.

Installing the mower blade

⚠ WARNING: Install the mower blade carefully. It has a top/bottom facing.

⚠ WARNING: Tighten the bolt clockwise firmly to secure the blade.

⚠ WARNING: Make sure that the mower blade and all the fixing parts are installed correctly and tightened securely.

⚠ WARNING: When you replace the blades, always follow the instructions provided in this manual.

NOTICE: After installing the mower blades, remove the pin from the mower body.

To install the mower blades, perform the removal procedure in reverse.

TROUBLESHOOTING

Before asking for repairs, conduct your own inspection first. If you find a problem that is not explained in the manual, do not attempt to disassemble the machine. Instead, ask Makita Authorized Service Centers, always using Makita replacement parts for repairs.

| State of abnormality | Probable cause (malfunction) | Remedy |
|---|---|--|
| Mower does not start. | Battery is not installed. | Install charged battery. |
| | Battery problem (under voltage) | Recharge the battery. If recharging is not effective, replace battery. |
| | The lock key is not inserted. | Insert the lock key. |
| Motor stops running after a little use. | Battery's charge level is low. | Recharge the battery. If recharging is not effective, replace battery. |
| | Cutting height is too low. | Increase the cutting height. |
| | Cut grass is clogged in the mower. | Remove the clogged grass from the mower. |
| Motor does not reach maximum RPM. | Battery is installed improperly. | Install the battery as described in this manual. |
| | Battery power is dropping. | Recharge the battery. If recharging is not effective, replace battery. |
| | The drive system does not work correctly. | Ask your local authorized service center for repair. |
| Mower blade does not rotate: ⇒ stop the mower immediately! | Foreign object such as a branch is jammed near the blade. | Remove the foreign object. |
| | The drive system does not work correctly. | Ask your local authorized service center for repair. |
| Abnormal vibration: ⇒ stop the mower immediately! | Blade is imbalanced, excessively or unevenly worn. | Replace the blade. |

OPTIONAL ACCESSORIES

⚠ CAUTION: These accessories or attachments are recommended for use with your Makita machine specified in this manual. The use of any other accessories or attachments might present a risk of injury to persons. Only use accessory or attachment for its stated purpose.

If you need any assistance for more details regarding these accessories, ask your local Makita Service Center.

- Mower blade
- Makita genuine battery and charger

NOTE: Some items in the list may be included in the product package as standard accessories. They may differ from country to country.

SPECIFIKATIONER

| | | |
|---|---|---------------------------------|
| Modell: | | LM001C |
| Klippbredd (knivdiameter) | | 534 mm |
| Hastighet utan belastning | Normalt läge | 2 800 min ⁻¹ |
| | Mjukt läge utan belastning | 2 300 - 2 800 min ⁻¹ |
| | Bullerdämpningsläge | 2 300 min ⁻¹ |
| Artikelnummer för byte av gräsklipparkniv | Rak gräsklipparkniv | 191D52-7 |
| | Svängande gräsklipparknivar *1 | 191D50-1 |
| | Svängande gräsklipparknivar *2 | 191D48-8 |
| Dimensioner (L x B x H) | L: 1 630 mm till 1 715 mm B: 590 mm H: 990 mm till 1 095 mm | |
| Rullhastighet | 2,5 - 5,0 km/h | |
| Märkspänning | 36 V - 40 V likström max | |
| Nettovikt | När rak gräsklipparkniv är installerad | 42,1 - 48,9 kg |
| | När svängande gräsklipparknivar är installerade | 42,8 - 49,5 kg |
| Skyddsgrad | IPX4 | |

*1. Bottenplatta och enskilda gräsklipparknivar.

- På grund av vårt pågående program för forskning och utveckling kan dessa specifikationer ändras utan föregående meddelande.
- Specifikationer kan variera mellan olika länder.
- Vikten kan variera beroende på tillbehören, inklusive batterikassett. Den lättaste och den tyngsta kombinationen enligt EPTA-procedur 01/2014 visas i tabellen.

*2. Endast enskilda gräsklipparknivar.







Tillämpligt bärbart strömpaket




PDC1200 / PDC01


⚠ VARNING: Använd endast bärbara strömpaket från listan ovan. Användning av andra bärbara strömpaket kan orsaka personskada och/eller brand.

Symboler

Följande visar symbolerna som kan användas för utrustningen. Se till att du förstår innebörden innan användning.

| | |
|--|--|
|  | Var extra försiktig och uppmärksam. |
|  | Läs igenom bruksanvisningen. |
|  | Fara! Se upp för flygande föremål. |
|  | Avståndet mellan maskinen och åskådare måste vara minst 15 m. |
|  | Placera aldrig dina händer eller fötter nära kniven under gräsklipparen. Knivarna fortsätter att rotera efter det att motorn stängts av. |
|  | Ta ut säkerhetsnyckeln före kontroll, justering, rengöring, service, förvaring eller om gräsklipparen lämnas obevakad. |

| | |
|---|--|
|  | Risk för elektrisk stöt. Kontakt med vatten kan orsaka elstöt. |
|  | Håll inte på vatten. |
|  | Fäst sladden vid sladdhållarna. |

 Gäller endast inom EU
P.g.a. förekomsten av farliga komponenter i utrustningen kan avfall innehållande elektrisk och elektronisk utrustning, ackumulatörer och batterier ha negativ inverkan på miljön och människors hälsa. Kassera inte elektriska och elektroniska apparater eller batterier ihop med hushållsavfall!
I enlighet med EU-direktiven om avfall som utgörs av eller innehåller elektrisk och elektronisk utrustning och om batterier och ackumulatörer och förbrukade batterier och ackumulatörer, och dess införlivande i nationell lagstiftning, bör förbrukad elektrisk och elektronisk utrustning, batterier och ackumulatörer förvaras separat och transporteras till en särskild uppsamlingsplats för kommunalt avfall, som drivs i enlighet med regelverket för miljöskydd. Detta anges av symbolen med den överkryssade soptunnan på hjul som sitter på utrustningen.

Avsedd användning

Maskinen är avsedd för gräsklippning.

Om denna bruksanvisning

Begreppet "batteri" eller "batterikasset" i denna bruksanvisning syftar på följande:

- Bärbart strömpaket
- Bärbart strömpaket som batterikassetterna installeras i
- Batterikasset som installeras i det bärbara strömpaketet

Buller

Den normala bullernivån för A-belastning är bestämd enligt EN60335-2-77:

OBS: Värdena har uppmätts med gräsklipparen utrustad med en rak gräsklipparkniv.

Ljudtrycksnivå (L_{pA}): 80,0 dB (A)

Ljudeffektnivå (L_{WA}): 91,2 dB (A)

Måttolerans (K): 3 dB (A)

Bullernivån vid arbete kan överstiga 80 dB (A).

OBS: Det deklarerade bullervärdet har uppmätts i enlighet med standardtestmetoden och kan användas för jämförandet av en maskin med en annan.

OBS: Det deklarerade bulleremissionsvärdet kan också användas i en preliminär bedömning av exponering för vibration.

⚠ VARNING: Använd hörselskydd.

⚠ VARNING: Bulleremissionen under faktisk användning av maskinen kan skilja sig från det deklarerade värdet, beroende på hur maskinen används och särskilt vilken typ av arbetsstycke som behandlas.

⚠ VARNING: Var noga med att identifiera säkerhetsåtgärder för att skydda användaren, vilka är grundade på en uppskattning av graden av exponering för vibrationer under de faktiska användningsförhållandena, (ta, förutom avtryckartiden, med alla delar av användarcykeln i beräkningen, som till exempel tiden då maskinen är avstängd och när den går på tomgång).

Vibration

Det totala vibrationsvärdet (treaxlad vektorsumma) bestämt enligt EN60335-2-77:

OBS: Värdena har uppmätts med gräsklipparen utrustad med en rak gräsklipparkniv.

Vibrationsemission (a_h): 2,5 m/s² eller lägre

Måttolerans (K): 1,5 m/s²

OBS: Det deklarerade totala vibrationsvärdet har uppmätts i enlighet med standardtestmetoden och kan användas för jämförandet av en maskin med en annan.

OBS: Det deklarerade totala vibrationsvärdet kan också användas i en preliminär bedömning av exponering för vibration.

⚠ VARNING: Vibrationsemissionen under faktisk användning av maskinen kan skilja sig från det deklarerade värdet, beroende på hur maskinen används och särskilt vilken typ av arbetsstycke som behandlas.

⚠ VARNING: Var noga med att identifiera säkerhetsåtgärder för att skydda användaren, vilka är grundade på en uppskattning av graden av exponering för vibrationer under de faktiska användningsförhållandena, (ta, förutom avtryckartiden, med alla delar av användarcykeln i beräkningen, som till exempel tiden då maskinen är avstängd och när den går på tomgång).

EG-försäkringen om överensstämmelse

Gäller endast inom EU

EG-försäkringen om överensstämmelse inkluderas som bilaga A till denna bruksanvisning.

SÄKERHETSVARNINGAR

VIKTIGA SÄKERHETSANVISNINGAR

⚠ VARNING: Läs igenom alla säkerhetsvarningar och anvisningar. Underlåtenhet att följa varningar och instruktioner kan leda till elstöt, brand och/eller allvarliga personskador.

Spara alla varningar och instruktioner för framtida referens.

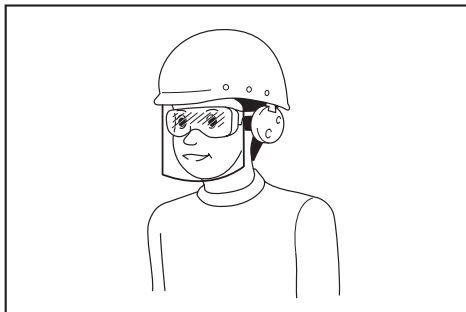
Utbildning

1. Läs anvisningarna noggrant. Var förtrogen med styrreglagen och korrekt användning av gräsklipparen.
2. Låt aldrig gräsklipparen användas av barn eller av personer som inte känner till dessa anvisningar. Lokala bestämmelser kan ange en åldersgräns för användaren.
3. Använd aldrig gräsklipparen när personer (särskilt barn) eller djur finns i närheten.
4. Slöm inte att användaren är ansvarig för olyckor eller eventuell fara gentemot andra personer och deras egendom.
5. Barn ska övervakas så att de inte leker med gräsklipparen.
6. Fysiskt tillstånd – Använd inte gräsklipparen under påverkan av droger, alkohol eller mediciner.

Förberedelse

1. Bär alltid kraftiga skor och långbyxor när du använder gräsklipparen. Använd inte gräsklipparen barfota eller med öppna skor. Undvik att bära kläder eller smycken som sitter löst eller som har hängande snoddar eller band. De kan fångas upp av rörliga delar.
2. Inspektera alltid gräsklipparen visuellt innan användning avseende skada, saknade eller felplacerade skydd.

3. Kontrollera att det inte finns några personer i området före gräsklippningen. Stäng av gräsklipparen om någon närmar sig.
4. Sätt inte i säkerhetsnyckeln i gräsklipparen förrän den är klar att användas.
5. Bär alltid skyddsglasögon för att skydda dina ögon från skada när du använder e-verktyg. Skyddsglasögonen måste uppfylla ANSI Z87.1 i USA, EN 166 i Europa, eller AS/NZS 1336 i Australien/Nya Zeeland. I Australien/ Nya Zeeland måste man enligt lag även bära ansiktsskydd för att skydda ansiktet.



Det är arbetsgivarens ansvar att se till att användare och övriga personer i det omedelbara arbetsområdet använder lämplig skyddsutrustning.

6. Kontrollera före användning att knivarna eller knivbultarna inte är spruckna eller skadade. Byt omedelbart ut skadade knivar eller knivbultar.
7. Ta bort främmande föremål såsom stenar, kablar, flaskor, ben och långa pinnar från arbetsområdet innan gräsklippningen för att undvika personsador eller skada på gräsklipparen.
8. Föremål som träffas av gräsklipparens kniv kan orsaka allvarliga personsador. Gräsmattan ska alltid undersökas väl och röjas från föremål före varje klippning.
9. Se upp för hål, rötter, knölar, stenar eller andra dolda föremål. Ojämn terräng kan vara en halkrisk. Högt gräs kan dölja föremål.
10. Sätt inte i eller ta ut säkerhetsnyckeln i regn.
11. Använd personlig säkerhetsutrustning. Använd alltid skyddsglasögon. Användning av skyddsutrustning, som till exempel dammask, halkfria skor, skyddshjälm och hörselskydd, under lämpliga förhållanden minskar risken för personsador.

Användning

1. Översträck inte. Ha god balans hela tiden. Se alltid till att ha balans på sluttningar. Gå, spring aldrig.
2. Stäng av gräsklipparen och ta ut säkerhetsnyckeln och se till att alla rörliga delar har slutat rotera:
 - när du lämnar gräsklipparen,
 - innan du tar bort något som fastnat eller rensar utkastningsrännan,
 - före kontroll, rengöring eller arbete på gräsklipparen,

- om du stött emot ett främmande föremål med maskinen. Inspektera gräsklipparen efter skador och utför reparationer innan maskinen startas om och används på nytt,
 - om gräsklipparen börjar vibrera på ett onormalt sätt.

3. Använd aldrig gräsklipparen med skadade skydd eller utan säkerhetsutrustning, t. ex. stenskydd och/eller gräsuppsamlare, på plats.
4. Undvik att använda gräsklipparen vid dåliga väderförhållanden, speciellt vid risk för åska.
5. Bär alltid skyddsglasögon och kraftiga skor när du arbetar med gräsklipparen.
6. Använd endast gräsklipparen i dagsljus eller i god belysning.
7. Starta gräsklipparen omsorgsfullt enligt anvisningarna och med fötterna på säkert avstånd från knivarna.
8. Var försiktig så att du inte skadar händer och fötter på gräsklipparkniven.
9. Försäkra dig alltid om att lufthälen är fria från smuts.
10. Klipp längs med sluttningar, aldrig uppåt och nedåt. Var särskilt försiktig vid byte av riktning i sluttande terräng. Klipp inte mycket branta sluttningar.
11. Var mycket försiktig när du vänder gräsklipparen eller drar den mot dig.
12. Stoppa knivarna om gräsklipparen måste lutas för att transporteras över gräsfria ytor och när maskinen transporteras till och från området som ska klippas.
13. Luta inte gräsklipparen när du startar motorn, såvida den inte måste lutas för att startas. I så fall ska den inte lutas mer än vad som är absolut nödvändigt och lyft endast den delen som är längst bort från användaren. Se alltid till att båda händerna är i arbetsläge innan du ställer ner gräsklipparen på marken.
14. Placera inte händer och fötter i närheten av eller under roterande delar. Stå alltid långt ifrån utkastöppningen.
15. Transportera inte gräsklipparen medan den är igång.
16. Undvik att använda gräsklipparen i vått gräs.
17. Håll alltid stadigt i handtaget.
18. Greppa inte de oskyddade knivbladen eller kniveggarna när du tar upp eller håller i gräsklipparen.
19. Håll händer och fötter borta från rörliga knivar. Försiktighet – Knivarna stannar inte omedelbart när gräsklipparen stängs av.
20. Stanna maskinen omedelbart om du lägger märke till något onormalt. Stäng av gräsklipparen och ta ut säkerhetsnyckeln. Kontrollera sedan gräsklipparen.
21. Försök aldrig göra justeringar av klipphöjden medan gräsklipparen är igång, om den har funktionen klipphöjdsinställning.
22. Släpp säkerhetsgreppet och vänta tills kniven har stannat innan du korsar en uppfart, gångväg, väg eller annat grustäckt område. Ta också ut säkerhetsnyckeln om du lämnar gräsklipparen, sträcker dig för att plocka upp eller ta bort något som ligger i vägen, eller om du på något annat sätt distraheras från arbetet.

23. Följ dessa steg om gräsklipparen slår emot ett främmande föremål:
 - Stanna gräsklipparen, släpp säkerhetsgreppet och vänta tills kniven stannat helt.
 - Ta bort säkerhetsnyckeln och batterikassetten.
 - Kontrollera gräsklipparen grundligt så att inte några skador har uppstått.
 - Byt ut kniven om den är skadad på något sätt. Reparera eventuella skador innan du startar om och återupptar användningen av gräsklipparen.
24. Starta inte gräsklipparen när du står framför utkastöppningen.
25. Om gräsklipparen börjar vibrera på ett onormalt sätt (kontrollera omedelbart)
 - kontrollera om skada har uppstått,
 - byt ut eller reparera skadade delar,
 - kontrollera och dra åt lösa delar.
26. Rikta aldrig utloppsmaterial mot någon. Undvik att rikta utloppsmaterial mot en vägg eller hinder. Material kan studsas tillbaka på användaren. Stanna bladet när du korsar grusvägar.
27. Dra inte gräsklipparen baklänges såvida det inte är absolut nödvändigt. När du är tvungna att backa gräsklipparen från ett staket eller liknande hinder måste du titta ner och bakom dig innan och medan du backar.
28. Stäng av motorn och vänta tills bladen har stannat innan du tar bort gräsupsamlaren. Tänk på att klingan inte stannar omedelbart när maskinen stängs av.
29. Var uppmärksam på var du har fötterna när du använder maskinen på lerig mark, i våta sluttningar eller hala ställen.
30. Undvik att arbeta i dåliga miljöer där ökad trötthet kan förväntas.
31. Använd inte maskinen under dåliga väderförhållanden där sikten är begränsad. Att inte följa detta kan leda till fall eller felaktig funktion p.g.a. dålig sikt.
32. Låt inte maskinen åka ner i någon pöl.
33. När våta löv eller smuts fastnar på sugöppningen (ventilationsfönstret) på grund av regnet, ska det tas bort.
34. Använd inte maskinen i snö.
35. Om det avklippta gräset är vått är det troligt att det fastnar inuti maskinen. Kontrollera regelbundet maskinens skick och ta bort gräs som fastnat där det behövs.
36. Var uppmärksam på rör och kablar när maskinen används.

Underhåll och förvaring

1. Byt ut slitna eller skadade delar för säker användning. Använd endast originaldelar och tillbehör.
2. Inspektera och underhåll gräsklipparen regelbundet.
3. När gräsklipparen inte används ska den förvaras utom räckhåll för barn.
4. Se till att alla muttrar, bultar och skruvar är åtdragna för att alltid bibehålla utrustningen i säkert arbetsskick.
5. Kontrollera gräsupsamlaren regelbundet efter slitage eller försämring. Se alltid till att gräsupsamlaren är tom när maskinen förvaras. Byt ut gräsupsamlaren om den är slitna mot en ny från fabriken för säker användning.

6. Använd endast tillverkarens originalknivar som specificerats i denna bruksanvisning.
7. Var försiktig vid justering av gräsklipparen för att undvika att fastna med fingrarna mellan knivar i rörelse och fasta maskindelar.
8. Kontrollera knivens monteringsbult regelbundet så att den är ordentligt åtdragen.
9. Låt alltid gräsklipparen svalna innan du ställer in den för förvaring.
10. Vid underhåll av knivarna bör du vara uppmärksam på att de fortfarande kan snurra även om strömkällan är avstängd.
11. Ta aldrig bort eller mixtra med säkerhetsanordningar. Kontrollera regelbundet korrekt funktion. Gör aldrig något som stör säkerhetsanordningarnas avsedda funktion eller minskar det skydd som säkerhetsanordningarna ger.
12. Lämna inte maskinen obebakt utomhus i regn.
13. Tvätta inte av maskinen med högtrycksvattenstråle.
14. När du tvättar av maskinen, se då till att ta bort batteriet och säkerhetsnyckeln, och håll vatten mot botten av maskinen som kniven sitter fast på.
15. När maskinen tas i förvar, undvik då direkt solljus och regn, och förvara den på en plats där det inte blir varmt eller fuktigt.
16. Utför inspektion eller underhåll någonstans där regn kan undvikas.
17. Ta efter användning bort smuts och torka maskinen fullständigt innan lagring. Beroende på årstid eller område finns det risk för funktionsfel p.g.a. frystemperatur.

Användning och underhåll av batteri

1. Ladda endast med den batteriladdare som angetts av tillverkaren. En laddare som passar en viss typ av batterier kan skapa risk för brand när den används tillsammans med annat batteri.
2. Använd endast maskiner tillsammans med tillhörande batterier. Om andra batterier används kan risken för personskada och brand öka.
3. När batteriet inte används bör det hållas borta från andra metallföremål som till exempel gem, mynt, nycklar, spik, skruv eller andra små metallföremål som kan skapa anslutning från en terminal till en annan. Kortslutning av batteripolerna kan orsaka brännskador eller brand.
4. Under hårda förhållanden kan det komma vätska ur batteriet. Undvik kontakt. Spola med vatten om kontakt ändrar riktning uppstått. Om vätska kommer i kontakt med ögonen bör läkare uppsökas. Vätska från batteriet kan orsaka irritation på huden eller ge brännskador.
5. Använd inte ett batteripaket eller maskin som är skadat eller ändrat. Skadade eller ändrade batterier kan uppföra sig opålitligt, vilket kan leda till brand, explosion eller skaderisk.
6. Utsätt inte batteripaket eller maskiner för brand eller höga temperaturer. Exponering för brand eller temperaturer över 130 °C kan leda till explosion.
7. Följ alla laddningsinstruktioner och ladda inte batteripaketet eller maskinen utanför det temperaturintervall som anges i instruktionerna. Felaktig laddning, eller vid temperaturer utanför det angivna intervall, kan skada batteriet och öka risken för brand.

El- och batterisäkerhet

1. **Släng inte batteriet/batterierna i öppen eld.** Cellen kan explodera. Kontrollera de lokala reglerna för att se eventuell särskild avfallshantering.
2. **Öppna inte eller förstör batteriet/batterierna.** Elektrolyt som kommer ut är frätande och kan ge ögon- eller hudskador. Det kan vara giftigt vid förtäring.
3. **Ladda inte batteriet i regn eller i fuktiga eller våta utrymmen.**
4. **Ladda inte batteriet utomhus.**
5. **Hantera inte laddaren, däribland laddarstickproppen, och laddarens kopplingar med våta händer.**
6. **Byt inte ut batteriet i regn.**
7. **Låt inte batteripolen bli blöt av vätska som t.ex. vatten, och ha inte batteriet i vätska.** Batteriet får inte lämnas i regn, och inte heller laddas, användas eller lagras på ett fuktigt eller vått ställe. Om polen blir våt eller vätska kommer in i batteriet, kan det kortslutas och det finns risk för överhettning, brand eller explosion.
8. **När batteriet tagits bort från maskinen eller laddaren ska du se till att fästa batterikåpan vid batteriet och förvara det torrt.**
9. **Byt inte ut batteriet med våta händer.**
10. **Om batterikassetten blir våt, töm ut vattnet inuti den och torka sedan av den med en torr trasa. Torka batterikassetten helt och hållet på en torr plats före användning.**
11. **Undvik farliga miljöer. Använd inte maskinen på fuktiga eller blöta områden och utsätt den inte för regn.** Vatten som kommer in i maskinen ökar risken för elektrisk stöt.

Service

1. **Lämna maskinen till en auktoriserad verkstad för service och underhåll med originalreservdelar.** Detta garanterar fortsatt säker användning av maskinen.
2. **Utför aldrig service av skadade batteripaket.** Service av skadade batteripaket får endast utföras av tillverkaren eller auktoriserade serviceleverantörer.

SPARA DESSA ANVISNINGAR.

⚠ VARNING: GLÖM INTE att också fortsättningsvis strikt följa säkerhetsanvisningarna för maskinen även efter att du blivit van att använda den.

Vid **FELAKTIG HANTERING** av maskinen eller om inte säkerhetsanvisningarna i denna bruksanvisning följs kan följden bli allvarliga personskador.

Viktiga säkerhetsanvisningar för batterikassetten

1. **Innan batterikassetten används ska alla instruktioner och varningsmärken på (1) batteriladdaren, (2) batteriet och (3) produkten läsas.**
2. **Montera inte isär eller mixtra med batterikassetten.** Det kan leda till brand, överdriven värme eller explosion.
3. **Om drifttiden blivit avsevärt kortare ska användningen avbrytas omedelbart.** Det kan uppstå överhettning, brännskador och t o m en explosion.

4. **Om du får elektrolyt i ögonen ska de sköljas med rent vatten och läkare uppsökas omedelbart.** Det finns risk för att synen förloras.
5. **Kortslut inte batterikassetten.**
 - (1) **Rör inte vid polerna med något strömförande material.**
 - (2) **Undvik att förvara batterikassetten tillsammans med andra metallobjekt som t.ex. spikar, mynt o.s.v.**
 - (3) **Skydda batteriet mot vatten och regn.** En batterikortslutning kan orsaka ett stort strömflöde, överhettning, brand och maskin haveri.
6. **Förvara och använd inte verktyget och batterikassetten på platser där temperaturen kan nå eller överstiga 50 °C.**
7. **Bränn inte upp batterikassetten även om den är svårt skadad eller helt utsliten.** Batterikassetten kan explodera i öppen eld.
8. **Spika inte i, krossa, kasta, tappa eller slå batterikassetten mot hårda föremål.** Dylåka handlingar kan leda till brand, överdriven värme eller explosion.
9. **Använd inte ett skadat batteri.**
10. **De medföljande litiumjonbatterierna är föremål för kraven i gällande lagstiftning för farligt gods.** För kommersiella transporter (av t.ex. tredje parter som speditönsfirmor) måste de särskilda transportkrav som anges på emballaget och etiketter iakttas. För att förbereda den produkt som ska avsändas krävs att du konsulterar en expert på riskmaterial. Var också uppmärksam på att det i ditt land kan finnas ytterligare föreskrifter att följa. Tejpa över eller maskera blottade kontakter och packa batteriet på sådant sätt att det inte kan röra sig fritt i förpackningen.
11. **När batterikassetten ska kasseras måste den tas bort från maskinen och kasseras på ett säkert sätt.** Följ lokala föreskrifter beträffande avfallshantering av batteriet.
12. **Använd endast batterierna med de produkter som specificerats av Makita.** Att använda batterierna med ej godkända produkter kan leda till brand, överdriven värme, explosion eller utläckande elektrolyt.
13. **Om maskinen inte används under en lång tid måste batteriet tas bort från maskinen.**
14. **Under och efter användning kan batterikassetten bli het vilket kan orsaka brännskador eller lättare brännskador.** Var uppmärksam på hur du hanterar varma batterikassetter.
15. **Vidrör inte verktygets kontakter direkt efter användning eftersom de kan bli heta och orsaka brännskador.**
16. **Låt inte flisor, damm eller smuts fastna i kontakterna, i hål eller spår i batterikassetten.** Det kan leda till dålig prestanda eller till att verktyget eller batterikassetten går sönder.
17. **Såvida inte verktyget stöder arbeten i närheten av högspänningsledning får batterikassetten inte användas i närheten av en högspänningsledning.** Det kan leda till att verktyget eller batterikassetten går sönder eller inte fungerar korrekt.
18. **Förvara batteriet utom räckhåll för barn.**

SPARA DESSA ANVISNINGAR.

⚠ FÖRSIKTIGT: Använda endast äkta Makita-batterier. Användning av oäkta Makita-batterier eller batterier som har manipulerats kan leda till person- och utrustningsskador eller till att batteriet fattar eld. Det upphäver också Makitas garanti för verktyget och laddaren.

Tips för att uppnå batteriets maximala livslängd

1. Ladda batterikassetten innan den är helt urladdad. Stanna alltid maskinen och ladda batterikassetten när du märker att maskinen blir svagare.
2. Ladda aldrig en fulladdad batterikasset. Överladdning förkortar batteriets livslängd.
3. Ladda batterikassetten vid en rumstemperatur på 10 °C - 40 °C. Låt en varm batterikasset svalna innan den laddas.
4. När batterikassetten inte används ska den tas bort från verktyget eller laddaren.
5. Ladda batterikassetten om du inte har använt den på länge (mer än sex månader).

MONTERING

⚠ VARNING: Se alltid till att ta ut säkerhetsnyckeln och batterikassetten innan du utför något arbete på gräsklipparen. Underlåtenhet att ta ut säkerhetsnyckeln och batterikassetten kan leda till allvarig personskada på grund av oavsiktlig start.

⚠ VARNING: Starta aldrig gräsklipparen om den inte är komplett monterad. Användning av en delvis monterad gräsklippare kan leda till allvarig personskada på grund av oavsiktlig start.

Montera handtaget

OBSERVERA: Vid montering av handtagen ska kablarna placeras så att de inte fångas in av någonting mellan handtagen. Om kablarna är skadade kanske inte gräsklipparens startknapp fungerar.

1. Rikta in hålen i det nedre handtaget med hålen i gräsklipparstommen, och spänn sedan åt 4 bultar tillfälligt.
► **Fig.1:** 1. Nedre handtaget 2. Bult
2. Spänn ordentligt åt de 4 bultar som tillfälligt drogs åt i steg 1, med fast nyckel 13.
3. Passa in hålet i det nedre handtaget med hålet i det övre handtaget, sätt sedan i bulten inifrån, och dra åt muttern utifrån med fast nyckel 13. Utför samma procedur på andra sidan.
► **Fig.2:** 1. Bult 2. Nedre handtaget 3. Mutter 4. Hål 5. Övre handtaget

⚠ FÖRSIKTIGT: Håll det övre handtaget i ett fast grepp så att det inte glider ur handen. I annat fall kan handtaget falla och orsaka skador.

4. Fäst hållarna till handtaget.
Passa in utsprången på hållaren med hålen på handtaget så att utsprången hamnar i hålen. Placera kablarna enligt bilden.
► **Fig.3:** 1. Kabel 2. Hållare

Ta bort mulchingpluggen

1. Öppna den bakre luckan.
► **Fig.4:** 1. Bakre hölje
2. Ta bort mulchingpluggen samtidigt som du håller ner spaken.
► **Fig.5:** 1. Spak 2. Mulchingplugg

Montera gräsuppsamlaren

1. Skjut in ramen i gräsuppsamlaren så långt det går.
► **Fig.6:** 1. Ram 2. Gräsuppsamlare
2. Sätt fast den övre klämman på ramen enligt figuren.
► **Fig.7:** 1. Klämman
3. Sätt fast alla klämmor på ramen enligt figuren. Se till att alla klämmor sitter ordentligt på ramen.
► **Fig.8**

Installera eller ta bort gräsuppsamlaren

Följ stegen nedan för att installera gräsuppsamlaren.

1. Öppna den bakre luckan.
► **Fig.9:** 1. Bakre hölje
2. Håll i gräsuppsamlarens handtag och haka sedan fast gräsuppsamlaren på stängan på gräsklipparen enligt figuren.
► **Fig.10:** 1. Stång 2. Handtag 3. Gräsuppsamlare

Ta bort gräsuppsamlaren genom att öppna det bakre höljet och sedan ta ut gräsuppsamlaren med hjälp av handtaget.

Montera mulchingpluggen

1. Öppna den bakre luckan och ta sedan bort gräsuppsamlaren.
► **Fig.11:** 1. Bakre hölje 2. Gräsuppsamlare
2. Fäst mulchingpluggen medan du håller ner spaken och släpp sedan spaken för att låsa fast mulchingpluggen.
► **Fig.12:** 1. Spak 2. Mulchingplugg

Fastsättning av utkastillbehöret

1. Öppna den bakre luckan och ta sedan bort gräsuppsamlaren.
► **Fig.13:** 1. Bakre hölje 2. Gräsuppsamlare
2. Fäst mulchingpluggen medan du håller ner spaken och släpp sedan spaken för att låsa fast mulchingpluggen.
► **Fig.14:** 1. Spak 2. Mulchingplugg
3. Öppna den högra luckan och fäst sedan utkastillbehöret.

Sätt in utkastillbehörets krokarna under den högra luckans stång.

- **Fig.15:** 1. Höger lucka 2. Utkastillbehör

FUNKTIONSBESKRIVNING

Installera eller ta bort det bärbara strömpaketet

⚠ FÖRSIKTIGT: Stäng alltid av maskinen innan du installerar eller tar bort det bärbara strömpaketet.

⚠ FÖRSIKTIGT: Håll stadigt i maskinen och det bärbara strömpaketet när du installerar eller tar bort det bärbara strömpaketet. I annat fall kan de halka ur händerna på dig så att maskinen och det bärbara strömpaketet tar skada och det uppkommer personskada.

⚠ FÖRSIKTIGT: Se till att det bärbara strömpaketet sitter ordentligt fast på maskinen. I annat fall kan den plötsligt lossna från maskinen och skada dig eller någon annan.

⚠ FÖRSIKTIGT: Se till före användning att sladden sitter säkert i sladdhållaren och att kontakten är insatt hela vägen i uttaget.

För PDC1200

1. Placera det bärbara strömpaketets sladd enligt figuren.

► **Fig.16:** 1. Bärbart strömpaket 2. Sladd

2. Installera det bärbara strömpaketet på maskinen enligt figuren.

► **Fig.17:** 1. Stödspak för batteri 2. Bärbart strömpaket 3. Låsknapp

⚠ FÖRSIKTIGT: Se till att det bärbara strömpaketet är säkert låst av batteriets stödspakar och låsknappen är ordentligt låst.

3. Fäst sladden på sladdhållarna enligt figuren. Öppna kontaktskyddet, passa sedan in pilmärkningen på uttaget med det på maskinen, och för in kontakten hela vägen i uttaget.

► **Fig.18:** 1. Kontaktskydd 2. Pål 3. Kontakt 4. Sladd

OBSERVERA: Sätt inte i kontakten med våld. Om kontakten inte kan sättas in lätt är den inte korrekt placerad.

OBSERVERA: När du kopplar bort kontakten från uttaget ska du inte hålla i sladden utan i kontakten. I annat fall kan sladden skadas och orsaka funktionsfel på maskinen.

4. Öppna säkerhetsnyckelskyddet, sätt sedan säkerhetsnyckeln på platsen som visas i figuren, så långt det går, och stäng sedan säkerhetsnyckelskyddet.

► **Fig.19:** 1. Säkerhetsnyckel
2. Säkerhetsnyckelskydd

Ta bort det bärbara strömpaketet genom att utföra installationsproceduren i omvänd ordning.

För PDC01

OBS: Innan du installerar det bärbara strömpaketet på maskinen ska du installera minst ett batteri i batteriport 1 eller 2, och minst ett batteri i batteriport 3 eller 4.

1. Placera det bärbara strömpaketets sladd enligt figuren.
► **Fig.20:** 1. Bärbart strömpaket 2. Sladd

2. Installera det bärbara strömpaketet på maskinen enligt figuren. Stäng låsspakarna på båda sidor om det bärbara strömpaketet.

► **Fig.21:** 1. Stödspak för batteri 2. Säkerhetsspär 3. Bärbart strömpaket

⚠ FÖRSIKTIGT: Se till att det bärbara strömpaketet är säkert låst av batteriets stödspakar och att låsspakarna är ordentligt låsta.

3. Fäst sladden på sladdhållarna enligt figuren. Öppna kontaktskyddet, passa sedan in pilmärkningen på uttaget med det på maskinen, och för in kontakten hela vägen i uttaget.

► **Fig.22:** 1. Kontaktskydd 2. Pål 3. Kontakt 4. Sladd

OBSERVERA: Sätt inte i kontakten med våld. Om kontakten inte kan sättas in lätt är den inte korrekt placerad.

OBSERVERA: När du kopplar bort kontakten från uttaget ska du inte hålla i sladden utan i kontakten. I annat fall kan sladden skadas och orsaka funktionsfel på maskinen.

4. Öppna säkerhetsnyckelskyddet, sätt sedan säkerhetsnyckeln på platsen som visas i figuren, så långt det går, och stäng sedan säkerhetsnyckelskyddet.

► **Fig.23:** 1. Säkerhetsnyckel
2. Säkerhetsnyckelskydd

Ta bort det bärbara strömpaketet genom att utföra installationsproceduren i omvänd ordning.

Skyddssystem för maskinen/batteriet

Maskinen är utrustad med ett batteriskyddssystem. Detta system bryter automatiskt strömmen till motorn för att förlänga maskinens och batteriets livslängd. Maskinen stannar automatiskt under användningen om maskinen eller batteriet hamnar i en av följande situationer:

Överbelastningskydd

När batteriet används på ett sätt som gör att den drar onormalt mycket ström, stannar maskinen automatiskt och lampan för nätspänning blinkar grönt. När detta sker stänger du av maskinen och upphör med arbetet som gjorde att den överbelastades. Starta därefter upp maskinen igen.

Överhettningsskydd

När maskinen eller batteriet överhettas stannar maskinen automatiskt och lampan börjar blinka. I sådant fall ska du låta maskinen och batteriet svalna innan maskinen sätts på igen.

Överurladdningskydd

När batterikapaciteten inte är tillräcklig stannar maskinen automatiskt och lampan för nätspänning blinkar rött, och indikatorlampan tänds. Ta i så fall bort batteriet från maskinen och ladda batteriet eller byt ut batteriet mot ett fulladdat.

Kontrollpanel

Kontrollpanelen har en lampa för nätspänning och en knapp för lägesbyte.

- **Fig.24:** 1. Lampa för mjukt läge utan belastning
2. Lampa för bullerdämpningsläge 3. Knapp för lägesbyte 4. Lampa för nätspänning
5. Strömbrytare

Strömbrytare

⚠ VARNING: Stäng alltid av strömbrytaren när verktyget inte används.

Tryck på strömbrytaren för att sätta på maskinen. Strömbrytarlampan tänds grön. För att stänga av maskinen trycker du på strömbrytaren igen.

OBS: Om lampan för nätspänning börjar lysa rött eller blinkar i rött eller grönt, se instruktionerna för skyddssystemet för maskinen/batteriet.

OBS: Denna maskin har en automatisk avstängningsfunktion. För att undvika oavsiktlig start kommer strömbrytaren automatiskt att stänga ner när avtryckaren eller körspärren (om sådan finns) inte aktiveras under en viss tid efter att strömbrytaren aktiverats.

Knapp för lägesbyte

Du kan ändra driftsläge genom att trycka på knappen för lägesbyte. När maskinen sätts på startar den i normalläge. När du trycker på knappen för lägesbyte slår maskinen över till mjukt läge utan belastning och lampan för det läget tänds grön. I mjukt läge utan belastning kan du minimera ryck vid uppstarten.







När du trycker på knappen för lägesbyte igen slår maskinen över till bullerdämpningsläge och lampan för det läget tänds grön. I bullerdämpningsläget kan du minska bullret vid gräsklippning.

När du trycker på knappen för lägesbyte igen återgår maskinen till normalläge.

Indikerar kvarvarande batterikapacitet

När den kvarvarande batterikapaciteten blir låg blinkar eller tänds indikatorlampan.

- **Fig.25:** 1. Indikatorlampan

| Indikatorlampan | | | Kvarvarande kapacitet |
|---|---|---|-----------------------|
| Av | Blinkar | Upplyst | |
|  |  |  | |
| |  | | 20 % till 100 % |
| |  | | 0 % till 20 % |
| |  | | Ladda batteriet. |

OBS: Indikatorlamporna för återstående batterikapacitet är bara som referens. Den faktiska batterikapaciteten kan skilja sig beroende på användningsförhållandena.

OBS: Displayen för indikatorlampan uppdateras när maskinen slutar arbeta.

Avtryckarens funktion

⚠ VARNING: Innan du monterar det bärbara strömpaketet ska du alltid kontrollera att säkerhetsgreppet fungerar korrekt och går tillbaka till ursprungsläget när det släpps. Att använda maskinen med ett felaktigt säkerhetsgrepp kan leda till förlorad kontroll och allvarlig personskada.

OBS: Gräsklipparen startar inte utan att startknappen trycks in även om du drar in säkerhetsgreppet.

OBS: Det kan hända att gräsklipparen inte startar på grund av överbelastning när du försöker klippa långt eller tätt gräs. Öka i sådant fall klipphöjden.

Denna gräsklippare är utrustad med en säkerhetsnyckel och handtagsbrytare. Om du lägger märke till något onormalt med antingen säkerhetsnyckeln eller brytaren, ska du genast sluta använda maskinen och låta ditt närmaste auktoriserade servicecenter för Makita kontrollera dem.

1. Installera det bärbara strömpaketet och sätt sedan i säkerhetsnyckeln.
2. Tryck på strömbrytaren på det bärbara strömpaketet. Lampan för nätspänning tänds.

För PDC1200

- **Fig.26:** 1. Strömbrytare 2. Lampa för nätspänning

För PDC01

- **Fig.27:** 1. Strömbrytare 2. Lampa för nätspänning

3. Tryck på strömbrytaren.
 4. Dra säkerhetsgreppet mot dig medan du håller ner startknappen. Släpp startknappen så fort motorn startar.
- **Fig.28:** 1. Startknapp 2. Säkerhetsgrepp

OBS: Om säkerhetsnyckeln inte är isatt blinkar strömbrytarlampan grönt när du drar i avtryckaren.

5. Håll in säkerhetsgreppet och tryck körspärren framåt och håll den så att bakhjulen körs.

- **Fig.29:** 1. Körspärr

OBS: Du kan driva bakhjulen genom att trycka körspärren framåt och hålla den utan att dra i säkerhetsgreppet.

6. Stanna maskinen genom att släppa körspärren och säkerhetsgreppet.

Justering av klipphöjden

⚠ VARNING: Placera aldrig handen eller foten under gräsklipparen när du justerar klipphöjden.

⚠ VARNING: Kontrollera alltid att spaken sitter ordentligt i spåret före användning.

Klipphöjden kan justeras mellan 20 mm och 100 mm.

Ta bort säkerhetsnyckeln och dra sedan justeringsspaken för klipphöjd ut från gräsklipparen och flytta den till önskad klipphöjd.

- **Fig.30:** 1. Justeringsspak för klipphöjd

I tabellen nedan visas förhållandet mellan numret på gräsklipparstommen och uppskattad klipphöjd.

| Nummer | Klipphöjd |
|--------|-----------|
| 1 | 20 mm |
| 2 | 26 mm |
| 3 | 32 mm |
| 4 | 39 mm |
| 5 | 47 mm |
| 6 | 55 mm |
| 7 | 63 mm |
| 8 | 74 mm |
| 9 | 86 mm |
| 10 | 100 mm |

Håll det främre handtaget eller det nedre handtaget med ena handen och flytta sedan justeringsspaken för klipphöjd med den andra handen.

► **Fig.31:** 1. Justeringsspak för klipphöjd 2. Nedre handtaget 3. Främre handtaget

OBS: Klipphöjdsiffrorna bör endast användas som en riktlinje. Beroende på gräsmattans eller underlagets förhållanden kan den verkliga klipphöjden skilja sig något från den inställda höjden.

OBS: Gör en testklippning i ett mindre synligt område för att få önskad höjd.

Indikator för gräsnivå

Indikatorn för gräsnivå visar mängden gräs som har klippts. Om gräsuppsamlaren inte är full flyter indikatorn medan knivarna är igång.

► **Fig.32:** 1. Indikator för gräsnivå

När gräsuppsamlaren är nästan full flyter inte indikatorn medan knivarna är igång. Stoppa i så fall klippningen omedelbart och töm uppsamlaren.

► **Fig.33:** 1. Indikator för gräsnivå

OBS: Denna indikator ger en grov uppskattning. Beroende på förhållandena inuti uppsamlaren fungerar eventuellt inte denna indikator på rätt sätt.

Justera handtagens höjd

⚠ FÖRSIKTIGT: Innan du tar bort bultarna, håll stadigt i det övre handtaget. I annat fall kan handtaget falla och orsaka skador.

Handtagshöjden kan justeras i två steg.

1. Ta bort de övre bultarna på det nedre handtaget med hjälp av fast nyckel 13 och lossa sedan de nedre bultarna.

► **Fig.34:** 1. Övre bult 2. Nedre bult

2. Justera handtagshöjden och spänn sedan åt de övre och nedre bultarna ordentligt.

Justera rullhastigheten

► **Fig.35:** 1. Hastighetsspak

Rullhastigheten kan ställas in med hastighetsspaken. Minska hastigheten genom att dra spaken mot dig och öka den genom att trycka den framåt.

Använda mulchingpluggen

Med mulchingpluggen kan du lämna det klippta gräset på marken utan att samla upp gräset i gräsuppsamlaren. När du använder maskinen med mulchingpluggen måste du se till att ta bort gräsuppsamlaren.

OBSERVERA: När maskinen används med mulchingpluggen måste du se till att gräsets totala längd efter klippning är 30 mm eller mer, och att den kapade längden är 15 mm eller mindre.

► **Fig.36:** (1) 30 mm eller mer (2) 15 mm eller mindre

Använda utkaststillbehör

Med utkaststillbehöret kan du kasta ut det klippta gräset på marken från maskinens högra sida utan att samla upp gräset i gräsuppsamlaren. När du använder maskinen med utkaststillbehöret, se till att installera mulchingpluggen och ta bort gräsuppsamlaren.

Elektronisk funktion

Maskinen är utrustad med elektroniska funktioner för enkel användning.

- Konstant hastighetskontroll för knivrotationen
Elektronisk hastighetskontroll för att erhålla en konstant hastighet. Detta alternativ ger dig möjlighet att få en fin finish eftersom den roterande hastigheten hålls konstant även vid hög belastning.
- Mjukstart vid körning
Mjukstartsfunktionen minimerar ryck vid uppstarten och gör att maskinen får en mjuk start.
- Elektronisk broms
Denna maskin är försedd med en elektronisk broms. Om maskinen hela tiden misslyckas med att snabbt stoppa gräsklipparbladen efter att säkerhetsgreppet släppts, ska maskinen servas på Makita- auktoriserat servicecenter.

ANVÄNDNING

Gräsklippning

⚠ VARNING: Före gräsklippningen ska alla pinnar och stenar i klippområdet tas bort. Ta också bort ogräs i förväg.

⚠ VARNING: Bär alltid korgglasögon eller skyddsglasögon med sidoskydd när du använder gräsklipparen.

⚠ FÖRSIKTIGT: Om avklippt gräs eller främmande föremål täpper till inuti gräsklipparen, se då till att ta bort säkerhetsnyckeln och batterikassetten och ha handskar på innan du tar bort gräset eller det främmande föremålet.

OBSERVERA: Använd endast denna maskin för att klippa gräsmattor. Klipp inte ogräs med denna maskin.

► Fig.37

Håll stadigt i handtaget med båda händerna vid gräsklippningen. Riktlinjen för gräsklippning är ca 7 till 14 meter per 10 sekunder.

► Fig.38

Framhjulens centrumlinjer är klippbreddens riktlinje. Använd centrumlinjerna som riktlinjer, klipp i rader. Överlappa med en halv till en tredjedel på tidigare rad för att klippa gräsmattan jämnt.

- Fig.39: 1. Klippbredd 2. Överlappande område 3. Centrumlinje

Ändra klippriktning varje gång för att förhindra mönster i gräsmattan i bara en riktning.

► Fig.40

Kontrollera då och då att gräsupsamlaren inte är full. Töm gräsupsamlaren innan den är full. Före varje regelbunden kontroll ska gräsklipparen stängas av och säkerhetsnyckeln och kontakten till det bärbara strömpaketet tas bort.

OBSERVERA: Användning av gräsklipparen med en full gräsupsamlare förhindrar smidig knivrotation och lägger en extra belastning på motorn, vilket kan orsaka motorstopp.

Klippning av högt gräs

Försök inte att klippa av högt gräs på en och samma gång. Klipp istället gräset i omgångar. Klipp med en eller två dagars mellanrum tills gräsmattan är jämnt klippt.

► Fig.41

OBS: Att klippa högt gräs kort på en och samma gång kan leda till att gräset dör. Det klippta gräset kan också täppa igen undersidan av gräsklipparen.

Tömma gräsupsamlaren

⚠ VARNING: För att undvika risken för olyckor ska gräsupsamlaren kontrolleras regelbundet så att skada eller försvagning inte har uppstått. Byt ut gräsupsamlaren om så krävs.

1. Släpp säkerhetsgreppet och körspärren.
2. Ta ut säkerhetsnyckeln.
3. Öppna det bakre höljet och ta ut gräsupsamlaren med hjälp av handtaget.
► Fig.42: 1. Bakre hölje 2. Handtag 3. Gräsupsamlare
4. Töm gräsupsamlaren.

UNDERHÅLL

⚠ VARNING: Se alltid till att säkerhetsnyckeln och det bärbara strömpaketet tas ut från gräsklipparen innan du tar den i förvar, bär den eller försöker utföra kontroll eller underhåll på den.

⚠ VARNING: Ta alltid ut säkerhetsnyckeln när gräsklipparen inte används. Förvara säkerhetsnyckeln på en säker plats utom räckhåll för barn.

⚠ VARNING: Bär handskar vid kontroll eller underhåll.

⚠ VARNING: Bär alltid korgglasögon eller skyddsglasögon med sidoskydd när du utför kontroll eller underhåll.

OBSERVERA: Använd inte bensin, förtunningsmedel, alkohol eller liknande. Missfärgning, deformation eller sprickor kan uppstå.

För att upprätthålla produktens SÄKERHET och TILLFÖRLITLIGHET bör allt underhålls- och justeringsarbete utföras av ett auktoriserat Makita servicecenter och med reservdelar från Makita.

Underhåll

1. Ta bort säkerhetsnyckeln och det bärbara strömpaketet.
2. Placera gräsklipparen på sidan så att justeringsspaken för klipphöjd är vänd uppåt. Rensa bort gräsklipp som samlats på undersidan av gräsdäcket.
3. Håll vatten mot botten av maskinen som kniven sitter fast på.

OBSERVERA: Tvätta inte av maskinen med högtrycksvattenstråle.

4. Kontrollera åtdragningen av alla muttrar, bultar, skruvar osv.
5. Kontrollera om klippdelar är skadade, trasiga eller utslitna. Skadade eller saknade delar bör repareras eller bytas ut.
6. Förvara gräsklipparen på en säker plats utom räckhåll för barn.

OBSERVERA: Håll inte vatten på området som visas på bilden. Vatten i motorn kan orsaka funktionsfel på maskinen.

► Fig.43: 1. Område där vatten inte ska hällas

Bära gräsklipparen

När gräsklipparen ska bäras ska man vara två personer, som håller i det främre och bakre handtaget enligt bilden.

► Fig.44: 1. Främre handtaget 2. Bakre handtaget

Förvaring

Förvara gräsklippare inomhus på en kall, torr och låst plats. Förvara inte gräsklipparen och laddaren på platser där temperaturen kan nå eller överstiga 40 °C.

Ta bort eller montera gräsklipparkniven

⚠ VARNING: Kniven snurrar i några sekunder efter att säkerhetsgreppet har släppts. Påbörja inget arbete med kniven förrän den har stannat helt.

⚠ VARNING: Ta alltid bort säkerhetsnyckeln och det bärbara strömpaketet när du tar bort eller monterar kniven. Att inte ta ut säkerhetsnyckeln och det bärbara strömpaketet kan leda till allvarlig skada.

⚠ VARNING: Bär alltid handskar när du hanterar kniven.

Ta bort gräsklipparkniven

För modeller försedda med rak gräsklipparkniv

1. Placera gräsklipparen på sidan så att justerings-spaken för klipphöjd är vänd uppåt.
2. Lås kniven genom att sätta stiftet i ett hål på gräsklipparstommen.
3. Vrid bulten moturs med fast nyckel 17.
► **Fig.45:** 1. Gräsklipparkniv 2. Stift 3. Fast nyckel
4. Ta bort bulten och sedan gräsklipparkniven.
► **Fig.46:** 1. Knivstöd 2. Gräsklipparkniv 3. Bult 4. Utsprång

OBSERVERA: När gräsklipparkniven installeras, se då till att utsprången på knivstödet passar in i hålen på gräsklipparkniven.

För modeller försedda med svängande gräsklipparknivar

1. Placera gräsklipparen på sidan så att justerings-spaken för klipphöjd är vänd uppåt.
2. Lås bottenplattan genom att sätta in stiftet i ett hål på gräsklipparstommen genom ett hål på bottenplattan.
3. Vrid bulten moturs med fast nyckel 17.
► **Fig.47:** 1. Stift 2. Bottenplatta 3. Fast nyckel
4. Ta bort bulten och sedan bottenplattan.
► **Fig.48:** 1. Knivstöd 2. Bottenplatta 3. Bult 4. Utsprång

OBSERVERA: När gräsklipparknivarna installeras, se då till att utsprången på knivstödet passar in i hålen på bottenplattan.

5. Ta bort själva gräsklipparkniven genom att vrida bulten moturs med fast nyckel 17 samtidigt som du håller i bottenplattan.
► **Fig.49:** 1. Bottenplatta 2. Gräsklipparkniv 3. Fast nyckel
6. Ta bort muttern, brickan, fjäderbrickan, gräsklipparkniven och bulten i den ordningen.
► **Fig.50:** 1. Bulthål 2. Bult 3. Gräsklipparkniv 4. Fjäderbricka 5. Bricka 6. Mutter

OBSERVERA: När muttrarna dras åt för att installera de enskilda gräsklipparknivarna, använd då 30 N·m som vridmoment.

OBSERVERA: När den enskilda gräsklipparkniven installeras, se då till att fästa fjäderbrickan i den riktning som visas på bilden.

OBSERVERA: När den enskilda gräsklipparkniven installeras, se då till att sätta in bultarna i de bulthål som visas på bilden.

Installera gräsklipparkniven

⚠ VARNING: Montera gräsklipparkniven försiktigt. Den har en sida som ska vara uppåt och en som ska vara nedåt.

⚠ VARNING: Dra åt bulten medurs ordentligt för att fästa kniven.

⚠ VARNING: Se till att gräsklipparkniven och alla fixeringsdelarna monteras korrekt och dras åt ordentligt.

⚠ VARNING: När du byter ut knivarna ska du alltid följa anvisningarna i denna bruksanvisning.

OBSERVERA: Efter att gräsklipparknivarna installerats tar du bort stiftet från gräsklipparstommen.

Installera gräsklipparknivarna genom att utföra borttagningsproceduren i omvänd ordning.

FELSÖKNING

Innan du ber om reparation ska du först utföra en egen kontroll. Om du hittar ett problem som inte finns förklarat i bruksanvisningen ska du inte försöka att montera isär maskinen. Fråga istället ett auktoriserad servicecenter för Makita, och använd alltid reservdelar från Makita för reparationer.

| Feltillstånd | Trolig orsak (felfunktion) | Atgärd |
|---|--|---|
| Gräsklipparen startar inte. | Batteriet är inte installerat. | Installera ett laddat batteri. |
| | Batteriproblem (underspänning) | Ladda om batteriet. Om laddning inte hjälper byter du ut batteriet. |
| | Säkerhetsnyckeln är inte i. | Sätt i säkerhetsnyckeln. |
| Motorn stannar efter en kort stunds användning. | Batterinivån är låg. | Ladda om batteriet. Om laddning inte hjälper byter du ut batteriet. |
| | Klipphöjden är för låg. | Öka klipphöjden. |
| | Gräsklipp har fastnat i klipparen. | Ta bort gräset som fastnat. |
| Motorn når inte det maximala varvtalet. | Batteriet är felaktigt insatt. | Installera batteriet enligt beskrivningen i denna bruksanvisning. |
| | Batterinivån sjunker. | Ladda om batteriet. Om laddning inte hjälper byter du ut batteriet. |
| | Drivsystemet fungerar inte som det ska. | Lämna in till ditt lokala auktoriserade servicecenter för reparation. |
| Gräsklipparkniven roterar inte: ⇒ stoppa gräsklipparen omedelbart! | Ett främmande föremål som t.ex. en gren har fastnat nära kniven. | Ta bort det främmande föremålet. |
| | Drivsystemet fungerar inte som det ska. | Lämna in till ditt lokala auktoriserade servicecenter för reparation. |
| Onormal vibration: ⇒ stoppa gräsklipparen omedelbart! | Kniven är obalanserad, överdrivet eller ojämnt utsliten. | Byt ut kniven. |

VALFRIA TILLBEHÖR

⚠ FÖRSIKTIGT: Följande tillbehör eller tillsatser rekommenderas för användning med den Makita-maskin som denna bruksanvisning avser. Om andra tillbehör eller tillsatser används kan det uppstå risk för personskador. Använd endast tillbehören eller tillsatserna för de syften de är avsedda för.

Kontakta ditt lokala Makita servicecenter om du behöver ytterligare information om dessa tillbehör.

- Gräsklipparkniv
- Makitas originalbatteri och laddare

OBS: Några av tillbehören i listan kan vara inkluderade i produktpaketet som standardtillbehör. De kan variera mellan olika länder.

TEKNISKE DATA

| | | |
|---|--|---|
| Modell: | | LM001C |
| Kuttebredde (knivdiameter) | | 534 mm |
| Hastighet uten belastning | Normal modus | 2 800 min ⁻¹ |
| | Myk modus uten belastning | 2 300 - 2 800 min ⁻¹ |
| | Modus for støyreduksjon | 2 300 min ⁻¹ |
| Delenummer for reserve gressklipperkniv | Rett gressklipperkniv | 191D52-7 |
| | Tilbakeklappbare gressklipperkniver *1 | 191D50-1 |
| | Tilbakeklappbare gressklipperkniver *2 | 191D48-8 |
| Mål (L x B x H) | | L: 1 630 mm til 1 715 mm B: 590 mm H: 990 mm til 1 095 mm |
| Kjørehastighet | | 2,5 – 5,0 km/h |
| Merkespenning | | DC 36 V – 40 V maks. |
| Nettovekt | Når rett gressklipperkniv er montert | 42,1 - 48,9 kg |
| | Når tilbakeklappbare gressklipperkniver er montert | 42,8 – 49,5 kg |
| Beskyttelsesgrad | | IPX4 |

*1. Bunnplate og enkeltstående gressklipperkniver.

- På grunn av vårt kontinuerlige forsknings- og utviklingsprogram kan spesifikasjonene som oppgis i dette dokumentet endres uten varsel.
- Spesifikasjonene kan variere fra land til land.
- Vekten kan variere avhengig av tilbehøret/tilbehørene, inkludert batteriet. Den letteste og tyngste kombinasjonen, i henhold til EPTA-prosedyre 01/2014, vises i tabellen.

*2. Kun enkeltstående gressklipperkniver.







Aktuell bærbar lader

PDC1200 / PDC01

⚠ ADVARSEL: Bruk kun de bærbare laderne som er oppgitt over. Bruk av andre bærbare ladere kan føre til personskade og/eller brann.

Symboler

Nedenfor ser du symbolene som kan brukes for dette utstyret. Forviss deg om at du forstår hva de betyr, før du begynner å bruke maskinen.

| | |
|--|--|
|  | Vær spesielt forsiktig og oppmerksom. |
|  | Les bruksanvisningen. |
|  | Vær oppmerksom på at objekter kan bli kastet ut. |
|  | Avstanden mellom maskinen og andre personer enn operatøren må være minst 15 m. |
|  | Plasser aldri hender og føtter nær bladene under gressklipperen. Knivene fortsetter å rotere etter at motoren er slått av. |
|  | Fjern låsenøkkel før gressklipperen inspiseres, justeres, rengjøres, mottar service, forlates og oppbevares. |



Elektrisk fare. Kontakt med vann kan føre til elektrisk støt.



Ikke tøm på vann.



Fest ledningen til ledningholderne.



Kun for EU-land

På grunn av forekomst av farlige komponenter i utstyret, kan avfall fra elektrisk og elektronisk utstyr, akkumulatører og batterier ha en negativ innvirkning på miljøet og menneskers helse.

Ikke kast elektriske og elektroniske apparater eller batterier sammen med husholdningsavfall!
I samsvar med det europeiske direktivet om avfall fra elektrisk og elektronisk utstyr og om akkumulatører og batterier samt akkumulatører og batterier som skal kastes, samt deres tilpasning til nasjonal lovgivning, skal brukt elektrisk utstyr samt brukte batterier og akkumulatører samles inn separat og leveres til et eget innsamlingssted for kommunalt avfall, som driver virksomhet i samsvar med miljøvernforordningene.
Dette er angitt av symbolet med den overkryssede avfallsbeholderen som er plassert på utstyret.

Riktig bruk

Denne maskinen er kun laget for gressklipping.

Om denne bruksanvisningen

Uttrykket "batteri" i denne bruksanvisningen gjelder følgende:

- Bærbar lader
- Bærbar lader som batterier settes inn i
- Batterier som settes inn i bærbar lader

Støy

Typisk A-vektet lydtryknivå er bestemt i henhold til EN60335-2-77:

MERK: Verdiene er målt mens gressklipperen er utstyrt med den rette gressklipperkniven.

Lydtryknivå (L_{pA}): 80,0 dB (A)

Lydeffektnivå (L_{WA}): 91,2 dB (A)

Usikkerhet (K): 3 dB (A)

Støynivået under arbeid kan overskride 80 dB (A).

MERK: Den/de oppgitte verdien(e) for genererte vibrasjoner har blitt målt i henhold til standard testmetoder, og kan bli brukt til å sammenligne ett verktøy med et annet.

MERK: Den/de angitte verdien(e) for de genererte vibrasjonene kan også brukes til en foreløpig vurdering av eksponeringen.

⚠ADVARSEL: Bruk hørselsvern.

⚠ADVARSEL: De genererte vibrasjonene ved faktisk bruk av elektroverktøyet kan avvike fra den/de angitte vibrasjonsverdien(e), avhengig av hvordan verktøyet brukes.

⚠ADVARSEL: Sørg for å identifisere vernetiltak for å beskytte operatøren, som er basert på et estimat av eksponeringen under de faktiske bruksforholdene (idet det tas hensyn til alle deler av driftssyklusen, dvs. hvor lenge verktøyet er slått av, hvor lenge det går på tomgang og hvor lenge startbryteren faktisk holdes trykket).

Vibrasjoner

Den totale vibrasjonsverdien (triaksial vektorsum) bestemt i henhold EN60335-2-77:

MERK: Verdiene er målt mens gressklipperen er utstyrt med den rette gressklipperkniven.

Genererte vibrasjoner (a_h): 2,5 m/s² eller mindre
Usikkerhet (K): 1,5 m/s²

MERK: Den/de oppgitte verdien(e) for totalt genererte vibrasjoner har blitt målt i henhold til standard testmetoder, og kan bli brukt til å sammenligne ett verktøy med et annet.

MERK: Den/de angitte verdien(e) for totalt genererte vibrasjoner kan også brukes til en foreløpig vurdering av eksponeringen.

⚠ADVARSEL: De genererte vibrasjonene ved faktisk bruk av elektroverktøyet kan avvike fra den/de angitte vibrasjonsverdien(e), avhengig av hvordan verktøyet brukes og spesielt i forhold til arbeidsstykket som blir behandlet.

⚠ADVARSEL: Sørg for å identifisere vernetiltak for å beskytte operatøren, som er basert på et estimat av eksponeringen under de faktiske bruksforholdene (idet det tas hensyn til alle deler av driftssyklusen, dvs. hvor lenge verktøyet er slått av, hvor lenge det går på tomgang og hvor lenge startbryteren faktisk holdes trykket).

EFs samsvarserklæring

Gjelder kun for land i Europa

EFs samsvarserklæring er lagt til som vedlegg A i denne bruksanvisningen.

SIKKERHETSADVARSEL

VIKTIGE SIKKERHETSINSTRUKSJONER

⚠ADVARSEL: Les alle sikkerhetsadvarslene og alle instruksjonene. Hvis du ikke følger alle advarslene og instruksjonene som er oppført nedenfor, kan det føre til elektriske støt, brann og/eller alvorlige helseskader.

Oppbevar alle advarsler og instruksjoner for senere bruk.

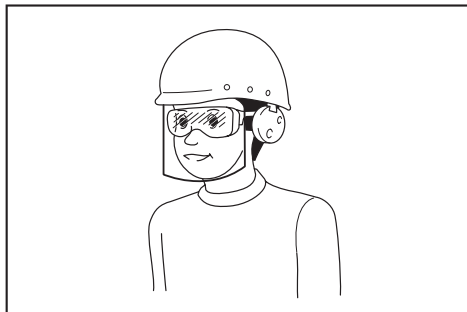
Opplæring

1. Les nøye gjennom bruksanvisningen. Gjør deg kjent med kontrollene, og sett deg inn i hvordan gressklipperen fungerer.
2. La aldri barn eller personer som ikke er kjent med denne bruksanvisningen bruke gressklipperen. Lokale bestemmelser kan omfatte aldersgrenser for bruk av utstyret.
3. Aldri bruk gressklipperen mens uvedkommende (særlig barn og kjæledyr) er tilstede.
4. Vær oppmerksom på at operatøren eller brukeren er ansvarlig for ulykker eller skader som berører andre personer eller deres eiendom.
5. Barn skal holdes under tilsyn for å sikre at de ikke leker med gressklipperen.
6. Fysisk form - Bruk ikke gressklipperen under påvirkning av narkotika, alkohol eller noen medikamenter.

Klargjøring

1. Bruk alltid solid føttøy og lange benklær når gressklipperen brukes. Ikke bruk gressklipperen barbeint eller med åpne sandaler. Unngå klær og smykker som er løse eller har hengende snorer eller bånd. De kan sette seg fast i bevegelige deler.
2. Før bruk skal gressklipperen alltid kontrolleres visuelt med tanke på skade, manglende eller feilplasserte vern eller skjermer.

3. Sørg for at ingen andre personer befinner seg på området før du begynner å klippe. Stans gressklipperen hvis noen kommer inn på området.
4. Ikke sett låsenøkkelen i gressklipperen før den er klar til bruk.
5. Bruk alltid vernebriller for å beskytte øynene mot skade når du bruker elektroverktøy. Brillene må oppfylle kravene i ANSI Z87.1 i USA, EN 166 i Europa eller AS/NZS 1336 i Australia/New Zealand. I Australia/New Zealand er det dessuten lovpålagt å bruke et ansiktsvern for å beskytte ansiktet.



Det er arbeidsgivers ansvar å påse at verktøyoperatørene og alle andre personer i arbeidsområdets umiddelbare nærhet bruker riktig verneutstyr.

6. Før bruk må du kontrollere nøye at knivene eller knivboltene ikke har sprekker eller andre skader. Skift ut sprukne eller ødelagte kniver eller knivbolter omgående.
7. Før bruk av gressklipperen, fjern fremmedlegemer fra arbeidsområdet, som for eksempel steiner, ledninger, flasker, bein og store pinner, for å hindre helseskade eller skade på gressklipperen.
8. Gjenstander som slår mot gressklipperen, kan forårsake alvorlig helseskade. Plønen bør alltid undersøkes nøye og alle objekter fjernes før hver klipping.
9. Se opp for hull, furer, dumper, steiner eller andre skjulte gjenstander. Ujevnt terreng kan forårsake en skli- og fallulykke. Høyt gress kan skjule gjenstander.
10. Ikke sett inn eller ta ut låsenøkkelen når det regner.
11. Bruk personlig verneutstyr. Bruk alltid beskyttelsesbriller. Verneutstyr som for eksempel støvmaske, sklisikre vernesko, hjelm og hørselsvern reduserer faren for personskader når det brukes riktig.

Bruk

1. Ikke strekk deg for langt. Pass alltid på at du holder balansen. Sørg alltid for å ha godt fotfeste i skråninger. Gå, løp aldri.
2. Stopp gressklipperen og ta ut låsenøkkelen, og kontroller at alle bevegelige deler har stoppet helt opp:
 - alltid når du forlater gressklipperen,
 - før du fjerner ting som har satt seg fast eller renser rennen,

- før kontroll, rengjøring eller arbeid på gressklipperen,
- etter at du har slått borti et fremmedlegeme. Kontroller gressklipperen med tanke på skade, og reparer før ny oppstart og bruk av gressklipperen,
- når utstyret begynner å vibrere unormalt kraftig.

3. Aldri bruk en gressklipper som har defekte vern eller beskyttelse, eller som ikke har sikkerhetsutstyr som for eksempel deflektorer og eller gresskurv på plass.
4. Unngå å bruke gressklipperen under dårlige værforhold, spesielt hvis det er fare for lyn.
5. Du må alltid ha på deg vernebriller og solide sko når du bruker gressklipperen.
6. Gressklipperen skal kun brukes i dagslys eller ved god kunstig belysning.
7. Start gressklipperen forsiktig i henhold til instruksjonene og hold føttene på god avstand fra bladene.
8. Ta nødvendige forholdsregler for å unngå at gressklipperknivene skader føtter eller hender.
9. Pass på at ventilasjonsåpningene alltid holdes fri for rusk og rask.
10. Klipp på tvers av skråninger, aldri oppover og nedover. Vær svært forsiktig under endring av retning i skråninger. Ikke klipp altfor bratte skråninger.
11. Vær svært forsiktig når du rygger eller trekker gressklipperen mot deg.
12. Stans bladene hvis gressklipperen må skråstilles for transportering, ved kryssing av overflater som ikke er gress og under transportering av gressklipperen til og fra området der den skal brukes.
13. Ikke skråstille gressklipperen når motoren slås på, unntatt når gressklipperen må skråstilles for oppstart. I så fall må den ikke skråstilles mer enn absolutt nødvendig, og det er bare delen som er vendt bort fra brukeren som skal løftes. Forsikre deg alltid om at begge hendene er i arbeidsstilling før du setter gressklipperen tilbake på bakken.
14. Ikke plasser hender og føtter nær eller under roterende deler. Hold avstand fra avløpsåpningen til enhver tid.
15. Ikke transporter gressklipperen mens den er påslått.
16. Unngå å bruke gressklipperen på vått gress.
17. Hold alltid godt fast i håndtaket.
18. Ikke grip tak i skjæreblader eller skjærekanten når du plukker opp eller holder i gressklipperen.
19. Hold hender og føtter i god avstand fra de roterende bladene. Forsiktig - knivene fortsetter å rotere etter at gressklipperen er slått av.
20. Stans arbeidet umiddelbart dersom du noterer noe uvanlig. Slå av gressklipperen, og ta ut låsenøkkelen. Undersøk så gressklipperen.
21. Du må aldri justere kutteøyden mens gressklipperen svinger hvis gressklipperen er utstyrt med funksjonen for justering av kutteøyde.

22. **Slipp startbryteren og vent til knivene slutter å rotere før du krysser oppkjørsler, stier, veier og alle grusbelagte områder.** I tillegg må du ta ut låsenøkkelen hvis du forlater gressklipperen, skal plukke opp noe eller fjerne noe som ligger i veien, eller hvis noe av en eller annen grunn avleder deg fra det du holder på med.
23. **Hvis gressklipperen slår mot et fremmedlegeme, følger du disse trinnene:**
 - Stans gressklipperen, slipp startbryteren og vent til bladene stanses helt.
 - Ta ut låsenøkkelen og batteriet.
 - Undersøk gressklipperen nøye for skader.
 - Erstatt bladet om det på noen måte skulle være skadet. Reparer alle skader før ny oppstart og fortsatt bruk av gressklipperen.
24. **Ikke start gressklipperen mens du står foran avløpsåpningen.**
25. **Hvis gressklipperen begynner å vibrere uvanlig mye (undersøk umiddelbart)**
 - inspiser for skader,
 - skift ut eller reparer enhver skadet del,
 - kontroller og stram enhver løs del.
26. **Du må aldri rette materiale som kommer ut mot andre personer. Unngå å rette materiale som kommer ut mot en vegg eller hindring.** Materiale kan bli slynget tilbake mot operatøren. Stopp kniven når du krysser grusunderlag.
27. **Ikke dra gressklipperen bakover med mindre det er helt nødvendig.** Når du er nødt til å rygge gressklipperen bort fra et gjerde eller lignende, ser du ned og bak deg før og mens du beveger deg bakover.
28. **Slå av motoren, og vent til kniven stopper helt opp før du tar av gressfangeren.** Vær oppmerksom på at knivene beveger seg selv om gressklipperen er slått av.
29. **Når du bruker maskinen på gjørmete underlag, i våte bakker eller på glatte steder, må du passe på at du ikke mister fotfestet.**
30. **Unngå å arbeide under dårlige forhold som kan føre til utslitthet.**
31. **Ikke bruk maskinen i dårlig vær med begrenset sikt.** Det kan føre til feil bruk eller at du faller på grunn av dårlig sikt.
32. **Ikke senk maskinen ned i en vannpytt.**
33. **Når vått løv eller jord kleber seg til sugeåpningen (ventilasjonsvinduet) på grunn av regn, må det fjernes.**
34. **Ikke bruk maskinen i snøen.**
35. **Hvis det klippede gresset er vått, vil det sannsynligvis sette seg fast inni maskinen.** Kontroller maskinens tilstand regelmessig, og fjern gresset som har klebet seg fast ved behov.
36. **Når du bruker maskinen, må du være oppmerksom på rør og ledninger.**

Vedlikehold og oppbevaring

1. **Erstatt slitte og skadete deler for å trygge sikkerheten.** Bruk kun originale reservedeler og tilbehør.
2. **Kontroller og vedlikehold gressklipperen regelmessig.**
3. **Når gressklipperen ikke er i bruk, må den holdes utenfor barns rekkevidde.**
4. **Pass på at alle muttere, bolter og skruer sitter fast for å sikre at utstyret er i god stand.**
5. **Sjekk gresskurven ofte for slitasje eller skader.** For oppbevaring må du alltid sørge for at gresskurven er tom. Av hensyn til sikkerhet må en slitt gresskurv alltid skiftes ut med en ny fabrikkprodusert gresskurv.
6. **Bruk kun produsentens originale blader som spesifisert i denne bruksanvisningen.**
7. **Vær forsiktig under justering av gressklipperen slik at fingrene ikke befinner seg mellom roterende blader og gressklipperens faste deler.**
8. **Kontroller hyppig at bladets festebolt sitter ordentlig fast.**
9. **La alltid gressklipperen avkjøles før den settes til oppbevaring.**
10. **Under service på bladene, vær oppmerksom på at selv om strømkilden er avslått, kan bladene fremdeles bevege seg.**
11. **Du må aldri fjerne eller klusse med sikkerhetsutstyr.** Kontroller regelmessig at det fungerer som det skal. Du må aldri gjøre noe for å hindre den tiltenkte funksjonen til sikkerhetsutstyr eller for å redusere beskyttelsen som sikkerhetsutstyr gir.
12. **Ikke etterlat maskinen uten tilsyn utendørs når det regner.**
13. **Ikke vask maskinen med høytrykksvann.**
14. **Når du skal vaske maskinen, må du ta ut batteriet og låsenøkkelen.** Tøm vann mot bunnen av maskinen der bladet er festet.
15. **Ved oppbevaring av maskinen skal du unngå direkte sollys og regn, og den skal oppbevares på et sted som ikke blir varmt eller fuktig.**
16. **Inspeksjon og vedlikehold skal unngås på et sted som er beskyttet mot regn.**
17. **Før du setter bort maskinen etter bruk må du fjerne all skitt som har satt seg fast og tørke maskinen godt.** Avhengig av sesong eller område er det fare for funksjonssvikt på grunn av frost.

Bruk og vedlikehold av batteridrevne maskiner

1. **Batteriet må kun lades opp igjen med en lader spesifisert av produsenten.** En lader som passer til én batteritype, kan være brennfarlig når den brukes med en annen batteritype.
2. **Bruk elektroverktøy kun med spesifikt angitte batterier.** Hvis det brukes et hvilket som helst annet batteri, kan dette utgjøre en fare for helse-skader og brann.
3. **Når batteriet ikke er i bruk, må du holde verktøyet unna metallgjenstander som f.eks. binders, mynter, nøkler, spiker, skruer og andre små metallgjenstander som kan skape forbindelse mellom de to polene.** Hvis batteripolene kortsluttes, kan du få brannår, eller det kan begynne å brenne.
4. **Hvis batteriet utsettes for hardhendt bruk, kan det lekke væske fra batteriet.** Unngå kontakt med væsken. Hvis du kommer i kontakt med batterivæsken, må du skylle med vann. Hvis du får batterivæske i øynene, må du i tillegg oppsøke lege. Væske som kommer ut av batteriet, kan forårsake irritasjon eller forbrenninger.

- Ikke bruk et batteri eller verktøy som er skadet eller endret på. Batterier som er skadet eller endret på kan oppføre seg upålitelig og medføre brann, eksplosjon eller fare for personskader.
- Et batteri eller verktøy må ikke utsettes for brann eller for høy temperatur. Brann eller en temperatur over 130 °C kan forårsake eksplosjon.
- Følg alle ladeinstruksjoner, og ikke lad batteriet eller verktøyet utenfor temperaturområdet som er angitt i instruksjonene. Feil lading eller ved temperaturer utenfor det angitte området, kan skadet batteriet og øke faren for brann.

Elektrisk sikkerhet og batterisikkerhet

- Ikke kast batteriet (batteriene) på åpen ild. Cellen kan eksplodere. Batterier skal leveres til en forhandler av elektroutstyr eller til et kommunalt avfallsmottak.
- Ikke åpne eller ødelegg batteriet (batteriene). Elektrolytt som lekker ut er korroderende, og kan forårsake skader på øyne og hud. Den kan være giftig hvis den svelges.
- Ikke skift batteri når det regner, eller i fuktige omgivelser.
- Ikke lad batteriet utendørs.
- Ikke håndter laderen, inkludert laderstøpset og laderterminalene, med våte hender.
- Ikke skift ut batteriet når det regner.
- Ikke la batteriklemmen komme i kontakt med væske som f.eks. vann, og batteriet må heller ikke senkes ned i vann. Ikke la batteriet stå ute i regnet, og du må heller ikke lade, bruke eller oppbevare batteriet på et fuktig eller vått sted. Hvis klemmen blir våt, eller hvis væske trenger inn i batteriet, kan batteriet kortslutte, og det er fare for overoppheting, brann eller eksplosjon.
- Når du har tatt batteriet ut av maskinen eller laderen, må du feste batteridekselet på batteriet og oppbevare det på et tørt sted.
- Ikke skift ut batteriet med våte hender.
- Hvis batteriinnsetningen blir våt, tøm ut vannet på innsiden og tørk av med en tørr klut. Tørk batteriinnsetningen helt på et tørt sted før bruk.
- Unngå farlige miljøer. Ikke bruk maskinen i fuktige eller våte omgivelser, og ikke utsett den for regn. Hvis det kommer vann inn i maskinen, vil risikoen for elektriske støt øke.

Service

- La en kvalifisert reparatør utføre service på det elektriske verktøyet ditt, og se til at vedkommende kun bruker originale reservedeler. Dette vil opprettholde sikkerheten til det elektriske verktøyet.
- Aldri foreta service på skadde batterier. Service på batterier skal kun utføres av produsenten eller godkjente serviceleverandører.

TA VARE PÅ DISSE INSTRUKSENE.

⚠ ADVARSEL: IKKE LA hensynet til hva som er "behagelig" eller det faktum at du kjenner produktet godt (etter mange gangers bruk) gjøre deg mindre oppmerksom på sikkerhetsreglene for bruken av det aktuelle produktet.

Ved MISBRUK eller hvis ikke sikkerhetsreglene i denne bruksanvisningen følges, kan det oppstå alvorlig personskade.

Viktige sikkerhetsanvisninger for batteriinnsetning

- Før du begynner å bruke batteriet, må du lese alle anvisninger og forsiktighetsregler på (1) batteriladeren, (2) batteriet og (3) det produktet batteriet skal brukes i.
- Ikke demonter eller tukle batteriet. Det kan føre til brann, overoppheting eller eksplosjon.
- Hvis driftstiden er blitt vesentlig kortere, må du omgående slutte å bruke maskinen. Hvis ikke kan resultatet bli overoppheting, mulige forbrenninger eller til og med en eksplosjon.
- Hvis du får elektrolytt i øynene, må du skylle dem med store mengder rennende vann og oppsøke lege med én gang. Denne typen uhell kan føre til varig blindhet.
- Ikke kortslutt batteriet:
 - De kan være ekstremt varme og du kan brenne deg.
 - Ikke lagre batteriet i samme beholder som andre metallgjenstander, som for eksempel spiker, mynter osv.
 - Ikke la batteriet komme i kontakt med vann eller regn.

En kortslutning av batteriet kan føre til et kraftig strømstøt, overoppvarming, mulige forbrenninger og til og med til at batteriet går i stykker.

- Ikke oppbevar og bruk verktøyet og batteriet på steder hvor temperaturen kan komme opp i eller overskride 50 °C.
- Ikke sett fyr på batteriet, ikke engang om det er sterkt skadet eller helt utslitt. Batteriet kan eksplodere hvis det begynner å brenne.
- Du må ikke spikre, skjære, klemme, kaste eller miste batteriet, og heller ikke slå en hard gjenstand mot batteriet. En slik oppførsel kan føre til brann, overoppheting eller eksplosjon.
- Ikke bruk batterier som er skadet.
- Lithium-ion-batteriene som medfølger er gjenstand for krav om spesialavfall.

For kommersiell transport, f.eks. av tredjeparter eller spedtørere, må spesielle krav om pakking og merking følges. For varen blir sendt, må du forhøre deg med en ekspert på farlig materiale. Ta også hensyn til muligheten for mer detaljerte nasjonale bestemmelser. Bruk teip eller maskeringsteip for å skjule åpne kontakter og pakk inn batteriet på en slik måte at den ikke kan bevege seg rundt i emballasjen.

- Når du kasserer batteriinnsetningen, må du ta den ut av verktøyet og avhende den på et sikkert sted. Følg lokale bestemmelser for avhending av batterier.
- Bruk batteriene kun med produkter spesifisert av Makita. Montere batteriene i produkter som ikke er konform kan føre til brann, overheting eller elektrolyttlekkasje.
- Hvis verktøyet ikke skal brukes over en lengre periode, må batteriet tas ut av verktøyet.
- Under og etter bruk kan batteriet bli varmt og før til brannskader. Vær forsiktig med håndteringen av varme batterier.
- Ikke berører terminalen på verktøyet rett etter bruk, da den kan bli varm og forårsake brannskader.
- Ikke la spon, støv eller jord sette seg fast i terminalene, hullene og sporene i batteriet. Det kan føre til dårlig ytelse eller at verktøyet eller batteriet slutter å fungere.

- Med mindre verktøyet støtter bruk nær en høyspent strømlinje, skal ikke batteriet brukes nær en høyspent strømlinje. Det kan føre til en funksjonsfeil eller at verktøyet eller batteriet slutter å fungere.
- Oppbevar batteriet utilgjengelig for barn.

TA VARE PÅ DISSE INSTRUKSENE.

⚠️FORSIKTIG: Bruk kun originale Makita-batterier.

Bruk av batterier som har endret seg, eller som ikke er originale Makita-batterier, kan føre til at batteriet sprekker og forårsaker brann, personskader og andre skader. Det vil også ugyldiggjøre garantien for Makita-verktøyet og -laderen.

Tips for å opprettholde maksimal batterilevetid

- Lad batteriinnsetningen før den er helt utladet. Stopp alltid driften av verktøyet og lad batteriinnsetningen når du merker at effekten reduseres.
- Lad aldri en batteriinnsetning som er fulladet. Overopplading forkorter batteriets levetid.
- Lad batteriet i romtemperatur ved 10 °C - 40 °C. Et varmt batteri må kjøles ned før lading.
- Når batteriet ikke er bruk, skal det tas ut av verktøyet eller laderen.
- Lad batteriet hvis det ikke har vært brukt på en lang stund (over seks måneder).

MONTERING

⚠️ADVARSEL: Sørg alltid for at låsenøkkelen og batteriet er fjernet før det utføres noe arbeid på gressklipperen. Hvis ikke låsenøkkelen og batteriet fjernes, kan dette forårsake alvorlig personskade ved tilfeldig oppstart.

⚠️ADVARSEL: Start aldri opp gressklipperen før det er fullstendig montert. Bruk av maskinen i en delvis montert tilstand, kan føre til alvorlig personskade som følge av utilsiktet oppstart.

Montering av håndtaket

OBS: Ved montering av håndtak, plasser ledningene slik at de ikke blir sittende fast i noe mellom håndtakene. Hvis ledningen er skadet kan det hende at gressklipperbryteren ikke virker.

- Rett inn hullene i det nedre håndtaket med hullene i gressklipperen, og deretter strammer du 4 bolter midlertidig.
► **Fig.1:** 1. Nedre håndtak 2. Bolt
- Stram de 4 boltene som ble midlertidig strammet i trinn 1, ved hjelp av stjernenøkkel 13.
- Rett inn hullet i det nedre håndtaket med hullet i det øvre håndtaket, og sett deretter i boltene fra innsiden, før du strammer mutteren fra utsiden med stjernenøkkel 13. Gjør det samme på den andre siden.
► **Fig.2:** 1. Bolt 2. Nedre håndtak 3. Mutter 4. Hull 5. Øvre håndtak

⚠️FORSIKTIG: Hold det øvre håndtaket godt, slik at du ikke mister grepet. Ellers kan håndtaket falle ned og føre til personskader.

- Fest holderne til håndtaket.

Rett inn fremspringet på holderen med hullene i håndtaket slik at fremspringene passer inn i hullene. Plasser ledningene som vist i figuren.

► **Fig.3:** 1. Ledning 2. Holder

Ta av utstyret for bioklipping

- Åpne bakdekselet.
► **Fig.4:** 1. Bakdeksel
- Ta av utstyret for bioklipping mens du holder spaken nede.
► **Fig.5:** 1. Spak 2. Utstyr for bioklipping

Sette sammen gresskurven

- Sett rammen så langt inn i gresskurven som den går.
► **Fig.6:** 1. Ramme 2. Gresskurv
- Fest den øverste klemmen til rammen som vist i figuren.
► **Fig.7:** 1. Klemme
- Fest alle klemmene til rammen som vist i figuren. Sørg for at alle klemmene festes godt til rammen.
► **Fig.8**

Montere eller ta av gresskurven

Følg trinnene nedenfor for å montere gresskurven.

- Åpne bakdekselet.
► **Fig.9:** 1. Bakdeksel
- Hold i håndtaket på gresskurven, og hekt deretter gresskurven på stangen på gressklipperen som vist i figuren.
► **Fig.10:** 1. Stang 2. Håndtak 3. Gresskurv

Når du skal ta av gresskurven, åpner du bakdekselet, og deretter tar du av gresskurven ved å holde i håndtaket.

Feste utstyret for bioklipping

- Åpne bakdekselet og fjern gresskurven.
► **Fig.11:** 1. Bakdeksel 2. Gresskurv
- Fest utstyret for bioklipping mens du holder ned spaken, og slipp deretter spaken for å låse utstyret for bioklipping.
► **Fig.12:** 1. Spak 2. Utstyr for bioklipping

Feste utkastertilbehøret

- Åpne bakdekselet og fjern gresskurven.
► **Fig.13:** 1. Bakdeksel 2. Gresskurv
- Fest utstyret for bioklipping mens du holder ned spaken, og slipp deretter spaken for å låse utstyret for bioklipping.
► **Fig.14:** 1. Spak 2. Utstyr for bioklipping
- Åpne dekslet på høyre side og fest så utkastertilbehøret.
Sett inn krokene på utkastertilbehøret under stangen på dekslet på høyre side.
► **Fig.15:** 1. Deksel på høyre side 2. Utkastertilbehør

FUNKSJONSBSKRIVELSE

Montere eller fjerne bærbar lader

⚠FORSIKTIG: Stå alltid av maskinen før du monterer eller fjerner den bærbare laderen.

⚠FORSIKTIG: Hold maskinen og den bærbare laderen i et fast grep når du monterer eller fjerner den bærbare laderen. Hvis du ikke holder dem godt fast, kan de gli ut av hendene dine og forårsake skade på maskinen og den bærbare laderen samt personskader.

⚠FORSIKTIG: Sørg for at den bærbare laderen monteres godt fast på maskinen. Hvis dette ikke gjøres, kan batteriet falle ut av maskinen og skade deg eller andre som oppholder seg i nærheten.

⚠FORSIKTIG: Før bruk må du kontrollere at ledningen er godt festet til ledningsholderne, og at stikkkontakten er satt helt inn i støpselet.

For PDC1200

1. Plasser den bærbare laderens ledning som vist i figuren.

► **Fig.16:** 1. Bærbar lader 2. Ledning

2. Monter den bærbare laderen på maskinen som vist i figuren.

► **Fig.17:** 1. Batteriholderspak 2. Bærbar lader 3. Spærreknapp

⚠FORSIKTIG: Sørg for at den bærbare laderen er låst fast til batteriholderspakene, og at spærreknapp er låst fast.

3. Fest ledningen til ledningsholderen som vist i figuren. Åpne støpseledekselet, innrett pilmerket på stikkkontakten med det på maskinen, og sett deretter stikkkontakten helt inn i støpselet.

► **Fig.18:** 1. Støpseledekselet 2. Pilmerke 3. Stikkontakt 4. Ledning

OBS: Ikke sett stikkkontakten inn med makt. Hvis det er vanskelig å sette stikkkontakten inn, er det fordi den ikke settes inn på riktig måte.

OBS: Når du skal koble stikkkontakten fra støpselet, må du ikke holde i ledningen, men holde i stikkkontakten. Ellers kan ledningen bli skadet og gjøre at maskinen ikke virker.

4. Åpne låsenøkkeldekselet, sett låsenøkkel inn på stedet som vises i figuren, så langt den vil gå, og lukk deretter låsenøkkeldekselet.

► **Fig.19:** 1. Låsenøkkel 2. Låsenøkkeldekselet

Når du skal fjerne den bærbare laderen, utfører du monteringsprosedyren i motsatt rekkefølge.

For PDC01

MERK: Før du monterer den bærbare laderen på maskinen, setter du minst ett batteri i batteriport 1 eller 2, og minst ett batteri i port 3 eller 4.

1. Plasser den bærbare laderens ledning som vist i figuren.
► **Fig.20:** 1. Bærbar lader 2. Ledning

2. Monter den bærbare laderen på maskinen som vist i figuren. Lås låsehendene på begge sider av den bærbare laderen.

► **Fig.21:** 1. Batteriholderspak 2. Låsehendel 3. Bærbar lader

⚠FORSIKTIG: Sørg for at den bærbare laderen er låst fast til batteriholderspakene, og at låsehendene er låst fast.

3. Fest ledningen til ledningsholderen som vist i figuren. Åpne støpseledekselet, innrett pilmerket på stikkkontakten med det på maskinen, og sett deretter stikkkontakten helt inn i støpselet.

► **Fig.22:** 1. Støpseledekselet 2. Pilmerke 3. Stikkontakt 4. Ledning

OBS: Ikke sett stikkkontakten inn med makt. Hvis det er vanskelig å sette stikkkontakten inn, er det fordi den ikke settes inn på riktig måte.

OBS: Når du skal koble stikkkontakten fra støpselet, må du ikke holde i ledningen, men holde i stikkkontakten. Ellers kan ledningen bli skadet og gjøre at maskinen ikke virker.

4. Åpne låsenøkkeldekselet, sett låsenøkkel inn på stedet som vises i figuren, så langt den vil gå, og lukk deretter låsenøkkeldekselet.

► **Fig.23:** 1. Låsenøkkel 2. Låsenøkkeldekselet

Når du skal fjerne den bærbare laderen, utfører du monteringsprosedyren i motsatt rekkefølge.

Vernesystem for maskin/batteri

Maskinen er utstyrt med et vernesystem for maskin/batteri. Dette systemet slår automatisk av strømmen til motoren for å forlenge maskinens og batteriets levetid. Maskinen stopper automatisk under drift hvis maskinen eller batteriet utsettes for en av følgende tilstander:

Overlastsikring

Når batteriet brukes på en måte som gjør at det bruker unormalt mye strøm, vil maskinen stanse automatisk, og strømlampen blinker grønt. I denne situasjonen må du skru av maskinen og stanse bruken som forårsaket at maskinen ble overopphetet. Slå deretter maskinen på for å starte den igjen.

Overopphetingsvern

Når maskinen eller batteriet er overopphetet, stanser maskinen automatisk, og strømlampen lyser rødt. I dette tilfellet lar du maskinen og batteriet avkjøles før du starter maskinen på nytt.

Overutladingsvern

Når batterikapasiteten blir utilstrekkelig, stopper maskinen automatisk, strømlampen blinker rødt og indikatorlampen tennes. I dette tilfellet tar du batteriet ut av maskinen og lader batteriet, eller skift ut batteriet med et fulladet batteri.

Kontrollpanel

På kontrollpanelet finner du strømbryteren og knappen for modusskifte.

- **Fig.24:** 1. Lampe for myk modus uten belastning
2. Lampe for modus for støyreduksjon 3. Knapp for modusskifte 4. Strømlampe 5. Strømbryter

Strømbryter

⚠ ADVARSEL: Pass på å slå av strømbryteren når den ikke er i bruk.

Slå på maskinen ved å trykke på strømbryteren. Strømlampen lyser grønt. Slå av maskinen ved å trykke på strømbryteren på nytt.

MERK: Hvis strømlampen lyser rødt eller blinker grønt, se i instruksjonene for beskyttelsessystemet for maskin/batteri.

MERK: Denne maskinen bruker automatisk utkobling. For å unngå utilsiktet oppstart, vil strømbryteren slås av automatisk når du ikke drar i startbryteren og kjørespaken (hvis dette finnes) i løpet av en viss tidsperiode etter at strømbryteren er slått på.

Knapp for modusskifte

Du kan bytte driftsmodus ved å trykke på knappen for modusskifte. Når maskinen er slått av, starter maskinen opp i normal modus.







Når du trykker på knappen for modusskifte, bytter maskinen til myk modus uten belastning, og lampen for myk modus uten belastning lyser grønt. I myk modus uten belastning kan du minimere oppstartssjokk.

Når du trykker på knappen for modusskifte igjen, bytter maskinen til modus for støyreduksjon, og lampen for modus for støyreduksjon lyser grønt. I modus for støyreduksjon kan du redusere støyen under gressklipping. Når du trykker på knappen for modusskifte på nytt, går maskinen tilbake til normal modus.

Indikere gjenværende batterikapasitet

Når gjenværende batterikapasitet blir lav, vil indikatorlampen blinke eller lyse.

- **Fig.25:** 1. Indikatorlampe

| Indikatorlampe | | | Gjenværende batterinivå |
|---|---|---|-------------------------|
|  |  |  | |
| |  | | 20 % til 100 % |
| |  | | 0 % til 20 % |
| |  | | Lad batteriet. |

MERK: Indikatorlampene for gjenværende batterikapasitet gjelder bare som referanse. Den virkelige batterikapasiteten kan variere avhengig av bruksforholdene.

MERK: Indikatorlampens visning oppdateres når maskinen stopper.

Bryterfunksjon

⚠ ADVARSEL: Før du monterer den bærbare laderen, må du alltid kontrollere at bryterspaken fungerer som den skal, og at den går tilbake til sin opprinnelige posisjon når du slipper den. Hvis du bruker maskinen med en bryter som ikke fungerer som den skal, kan du komme til å miste kontrollen, og det kan føre til alvorlig personskade.

MERK: Gressklipperen starter ikke uten at bryterknappen trykkes på, selv hvis du trekker i bryterspaken.

MERK: Gressklipperen starter kanskje ikke på grunn av overlasten når du prøver å klippe langt eller tett gress i én økt. I slike tilfeller må du øke klippehøyden.

Denne gressklipperen er utstyrt med låsenøkkel og håndtaksbryter. Hvis du merker noe uvanlig med låsenøkkelen eller bryteren, stanser du bruken umiddelbart og får dem kontrollert hos nærmeste autoriserte Makita-servicesenter.

1. Montert den bærbare laderen, og sett deretter inn låsenøkkelen.
2. Trykk på strømknappen på den bærbare laderen. Strømlampen lyser.

For PDC1200

- **Fig.26:** 1. Strømknapp 2. Strømlampe

For PDC01

- **Fig.27:** 1. Strømknapp 2. Strømlampe

3. Trykk på strømknappen.
4. Trekk bryterspaken mot deg mens du holder bryterknappen nede. Slipp bryterknappen så snart motoren begynner å kjøre.

- **Fig.28:** 1. Startknapp 2. Startspak

MERK: Hvis låsenøkkelen ikke er satt i, blinker strømlampen grønt når du drar i startbryteren.

5. Mens du holder bryterknappen, skyver du kjørespaken forover og holder den for å drive bakhjulene.
- **Fig.29:** 1. Kjørespak

MERK: Du kan drive bakhjulene ved å skyve kjørespaken forover og holde den uten å trekke i bryterspaken.

6. Slipp kjørespaken og bryterspaken for å stanse maskinen.

Tilpasse klippehøyden

⚠ ADVARSEL: Plasser aldri hånd eller ben under gressklipperens hoveddel når du justerer klippehøyden.

⚠ ADVARSEL: Sørg alltid for at spaken passer ordentlig inn i fordypningen før bruk.

Klippehøyden kan justeres i området mellom 20 mm og 100 mm.

Ta ut låsenøkkelen, dra justeringshendelen for klippehøyde utover fra gressklipperen, og beveg den til ønsket klippehøyde.

- **Fig.30:** 1. Justeringshendel for klippehøyde

Tabellen nedenfor viser forholdet mellom tallet på gressklipperen og den omtrentlige klippehøyden.

| Tall | Klippehøyde |
|------|-------------|
| 1 | 20 mm |
| 2 | 26 mm |
| 3 | 32 mm |
| 4 | 39 mm |
| 5 | 47 mm |
| 6 | 55 mm |
| 7 | 63 mm |
| 8 | 74 mm |
| 9 | 86 mm |
| 10 | 100 mm |

Hold frontgrepet eller det nedre håndtaket med én hånd, og beveg deretter justeringshendelen for klippehøyde med den andre hånden.

► **Fig.31:** 1. Justeringshendel for klippehøyde
2. Nedre håndtak 3. Frontgrep

MERK: Tallene for klippehøyde er kun ment å være veiledende. Avhengig av plenen eller bakken kan faktisk plen høyde varierer litt fra den angitte høyden.

MERK: Gjør en prøveklipping på et mindre løyrefalende sted for å oppnå den høyden du ønsker.

Indikator for gressnivå

Indikatoren for gressnivå viser hvor mye gress som er klippet. Så lenge gresskurven ikke er full, flyter indikatoren når knivene svinger.

► **Fig.32:** 1. Indikator for gressnivå

Når gresskurven er nesten full, flyter ikke indikatoren når knivene svinger. Når dette skjer, må du umiddelbart stanse og tømme kurven.

► **Fig.33:** 1. Indikator for gressnivå

MERK: Denne indikatoren er kun en veiledning. Avhengig av tilstanden inne i kurven, kan det hende at indikatoren ikke fungerer som den skal.

Justere håndtakhøyden

⚠FORSIKTIG: Før du tar ut boltene, må du holde godt fast i det øvre håndtaket. Ellers kan håndtaket falle ned og føre til personskader.

Håndtakhøyden kan justeres i to nivåer.

1. Ta bort de øvre boltene på det nedre håndtaket med stjernenøkkel 13, og deretter løsner du de nedre boltene.

► **Fig.34:** 1. Øvre bolt 2. Nedre bolt

2. Juster håndtakhøyden, og deretter strammer du de øvre og nedre boltene godt.

Justere kjørehastigheten

► **Fig.35:** 1. Gasshåndtak

Kjørehastigheten kan justeres ved å dreie på gasshåndtaket. Vil du senke hastigheten, drar du håndtaket mot deg, og vil du øke hastigheten, dreier du håndtaket forover.

Bruke utstyret for bioklipping

Utstyret for bioklipping lar deg sende det klippede gresset til bakken uten å samle opp det klippede gresset i gresskurven. Når du bruker maskinen med utstyret for bioklipping, må du passe på å fjerne gresskurven.

OBS: Når du bruker maskinen med pluggen for bioklipping, må du kontrollere at gressets totale lengde etter klipping er 30 mm eller mer, og at skjærelengden er 15 mm eller mindre.

► **Fig.36:** (1) 30 mm eller mer (2) 15 mm eller mindre

Bruke utkastertilbehøret

Utkastertilbehøret lar deg sende det klippede gresset til bakken fra den høyre siden på maskinen, uten å samle opp det klippede gresset i gresskurven. Når du bruker maskinen med utkastertilbehøret, må du passe på å montere utstyret for bioklipping og fjerne gresskurven.

Elektronisk funksjon

Maskinen er utstyrt med de elektroniske funksjonen for å gjøre den enklere å bruke.

- Konstant hastighetskontroll for knivrotasjon
Elektronisk hastighetskontroll for å oppnå konstant hastighet. Slik oppnår du god utførelse, fordi rotasjons-hastigheten holdes konstant selv under belastning.
- Mykstart ved kjøring
Myk start-funksjonen reduserer oppstartssjokket til et minimum, og gjør at maskinen starter mykt.
- Elektrisk brems
Denne maskinen er utstyrt med en elektrisk brems. Hvis maskinen konsekvent ikke stanser gressklipperknivene raskt når bryterspaken slippes, sendes maskinen til service hos et autorisert Makita-servicesenter.

BRUK

Klipping

⚠ADVARSEL: Før klipping, rydd vekk pinner og steiner fra klippeområdet. I tillegg, rensk vekk ugress fra området på forhånd.

⚠ADVARSEL: Bruk alltid vernebriller med sidevern under bruk av gressklipperen.

⚠FORSIKTIG: Hvis det klippede gresset eller fremmedlegemer hopper seg opp inni gressklipperen, må du ta ut låsenøkkelen og batteriet samt ta på deg hansker før du fjerner gresset eller fremmedlegemer.

OBS: Denne maskinen skal kun brukes til plenklipping. Ikke klipp ugress med denne maskinen.

► Fig.37

Hold håndtaket fast med begge hender under klippingen. Retningslinjen for klippehastighet er omtrent 7 til 14 meter per 10 sekunder.

► Fig.38

Senterlinjene på fronthjulene er veiledende for klippebredden. Klipp i striper ved hjelp av senterlinjene som veiledning. Overlapp med halvdelen til én tredel av den foregående stripen for å klippe plenen jevnt.

► Fig.39: 1. Klippebredde 2. Overlapping 3. Senterlinje

Skift klipperetning hver gang for å unngå at mønsteret for gressstråretningen dannes bare i én retning.

► Fig.40

Du må regelmessig kontrollere gressnivået i gresskurven. Tøm ut gresset før den blir helt full. Før hver regelmessige kontroll, må du sørge for at du stanser gressklipperen og tar ut låsenøkkelen og stikkkontakten på den bærbare laderen.

OBS: Bruk av gressklipperen med gresskurven full, hindrer jevn rotering av kniven og legger en ekstra belastning på motoren, hvilket kan føre til at den bryter sammen.

Klipping av plen med høyt gress

Ikke forsøk å kutte langt gress i én omgang. Det er bedre å klippe gresset trinnsvis. La det gå en dag eller to mellom hver klipping, inntil plenen blir jevnt kort.

► Fig.41

MERK: Dersom gresset klippes kort i én økt, kan det føre til at gresset dør. Oppkuttet gress kan også blokkere innsiden av gressklipperen.

Tømming av gresskurven

ADVARSEL: For å redusere faren for ulykker, kontroller regelmessig gresskurven for skade eller redusert styrke. Skift om nødvendig ut gresskurven.

1. Slipp startbryteren og kjørespaken.
2. Ta ut låsenøkkelen.
3. Åpne bakdekslet, og ta ut gresskurven ved å holde i håndtaket.

► Fig.42: 1. Bakdeksel 2. Håndtak 3. Gresskurv

4. Tøm gresskurven.

VEDLIKEHOLD

ADVARSEL: Sørg alltid for at låsenøkkelen og den bærbare laderen er tatt ut av gressklipperen før oppbevaring eller bæring av gressklipperen, eller forsøk på inspeksjon eller vedlikehold.

ADVARSEL: Du må alltid ta ut låsenøkkelen når gressklipperen ikke er i bruk. Oppbevar låsenøkkelen på et trygt sted, utilgjengelig for barn.

ADVARSEL: Bruk hansker når du utfører inspeksjon eller vedlikehold.

ADVARSEL: Bruk alltid sikkerhets- eller vernebriller med sidevern når du utfører inspeksjon eller vedlikehold.

OBS: Aldri bruk gasolin, bensin, tynner alkohol eller lignende. Det kan føre til misfarging, deformering eller sprekkdannelse.

For å opprettholde produktets SIKKERHET og PÅLITELIGHET, må reparasjoner, vedlikehold og justeringer utføres av autoriserte Makita servicesentre eller fabrikkservicesentre, og det må alltid brukes reservedeler fra Makita.

Vedlikehold

1. Ta ut låsenøkkelen og den bærbare laderen.
2. Legg gressklipperen over på siden slik at justeringsspaken for klippehøyde kommer opp til den øverste siden. Fjern gress som har samlet seg på undersiden av maskinen.
3. Tøm vann mot bunnen av maskinen der kniven er festet.

OBS: Ikke vask maskinen med høytrykksvann.

4. Kontroller at alle muttere, bolter, skruer, osv. er ordentlig festet.
5. Kontroller bevegelige deler for skade, brudd og slitasje. Skadede og manglende deler skal repareres eller skiftes ut.
6. Oppbevar gressklipperen på et trygt sted som er utilgjengelig for barn.

OBS: Ikke tøm vann i området som vises i figuren. Hvis du tømmer vann i motoren, kan det føre til at maskinen slutter å virke.

► Fig.43: 1. Område der vann ikke skal tømmes

Bære gressklipperen

Ved bæring av gressklipperen skal to personer holde i frontgrepet og bakgrepet som vist i figuren.

► Fig.44: 1. Frontgrep 2. Bakgrep

Oppbevaring

Oppbevar gressklipperen innendørs på et kjølig, tørt og låst sted. Ikke oppbevar gressklipperen og laderen på steder hvor temperaturen kan komme opp i eller overskride 40 °C.

Demontere eller montere gressklipperkniven

⚠ ADVARSEL: Bladet roterer i noen få sekunder etter at bryteren er sluppet. Ikke start noen form for arbeid før kniven har stanset helt.

⚠ ADVARSEL: Ta alltid ut låsenøkkelen og den bærbare laderen når bladet skal fjernes eller monteres. Hvis låsenøkkelen og den bærbare laderen ikke fjernes, kan dette forårsake alvorlig personskade.

⚠ ADVARSEL: Når du håndterer bladet, bruk alltid hansker.

Ta ut gressklipperkniven

For modeller som er utstyrt med rett gressklipperkniv

1. Legg gressklipperen over på siden slik at justerings-spaken for klippehøyde kommer opp til den øverste siden.
2. Lås kniven ved å sette splinten inn i et hull på gressklipperen.
3. Drei bolten mot klokken med stjernenøkkel 17.
▶ **Fig.45:** 1. Gressklipperkniv 2. Splint 3. Stjernenøkkel
4. Fjern bolten og deretter gressklipperkniven.
▶ **Fig.46:** 1. Knivholder 2. Gressklipperkniv 3. Bolt 4. Fremspring

OBS: Når du monterer gressklipperkniven, må du sørge for at fremspringene på knivholderen passer inn i hullene i gressklipperkniven.

For modeller som er utstyrt med tilbakeklappbare gressklipperkniver

1. Legg gressklipperen over på siden slik at justeringss-paken for klippehøyde kommer opp til den øverste siden.
2. Bunnplaten låses ved å sette splinten inn i et hull på gressklipperen gjennom et hull i bunnplaten.
3. Drei bolten mot klokken med stjernenøkkel 17.
▶ **Fig.47:** 1. Splint 2. Bunnplate 3. Stjernenøkkel
4. Fjern bolten og deretter bunnplaten.
▶ **Fig.48:** 1. Knivholder 2. Bunnplate 3. Bolt 4. Fremspring

OBS: Når du monterer gressklipperknivene, må du sørge for at fremspringene på knivholderen passer inn i hullene i bunnplaten.

5. Når du skal fjerne den enkeltstående gressklipperkniven, dreier du bolten mot klokken med stjernenøkkel 17 mens du holder bunnplaten.
▶ **Fig.49:** 1. Bunnplate 2. Gressklipperkniv 3. Stjernenøkkel
6. Fjern mutteren, skiven, fjærskiven, gressklipperkniven og bolten i denne rekkefølgen.
▶ **Fig.50:** 1. Bolthull 2. Bolt 3. Gressklipperkniv 4. Fjærskive 5. Skive 6. Mutter

OBS: Når du strammer mutrene for å montere de enkeltstående gressklipperknivene, bruker du et tiltrekkingsmoment på 30 N•m.

OBS: Når du monterer den enkeltstående gressklipperkniven, må du sørge for å feste fjærskiven i retningen som vises i figuren.

OBS: Når du monterer den enkeltstående gressklipperkniven, må du sørge for å sette boltene inn i bolthullene som vist i figuren.

Montere gressklipperkniven

⚠ ADVARSEL: Sett gressklipperkniven forsiktig inn. Den har en over- og underside.

⚠ ADVARSEL: Stram til bolten med klokken for å feste bladet.

⚠ ADVARSEL: Sørg for at gressklipperkniven og alle festedelene er riktig montert og godt strammet.

⚠ ADVARSEL: Når du skifter ut bladene, skal du alltid følge anvisningene i denne håndboken.

OBS: Når du har montert gressklipperknivene, fjerner du splinten fra gressklipperen.

Monter gressklipperknivene ved å følge fremgangsmåten for demontering i motsatt rekkefølge.

FEILSØKING

Inspiser utstyret selv før du bestiller reparasjon. Ikke prøv å demontere maskinen hvis du finner et problem som ikke er forklart i brukerveiledningen. I stedet skal du ta kontakt med et autorisert Makita-servicesenter, som alltid bruker reservedeler fra Makita til reparasjoner.

| Unormal tilstand | Sannsynlig årsak (feil) | Løsning |
|---|---|--|
| Gressklipperen starter ikke. | Det står ikke batteri i. | Sett i ladet batteri. |
| | Batteriproblem (med spenning) | Lad opp batteriet. Hvis ladingen ikke fungerer, skal batteriet skiftes. |
| | Låsenøkkelen er ikke satt inn. | Sett inn låsenøkkelen. |
| Motoren slutter å gå etter kort tids bruk. | Batteriets ladenivå er lavt. | Lad opp batteriet. Hvis ladingen ikke fungerer, skal batteriet skiftes. |
| | Klippehøyden er for lav. | Øk klippehøyden. |
| | Det sitter gress fast i gressklipperen. | Fjern gresset fra gressklipperen. |
| Motoren når ikke maksimalt antall omdreininger per minutt. | Batteriet er installert på feil måte. | Sett i batteriet som beskrevet i denne håndboken. |
| | Batterieffekten minsker. | Lad opp batteriet. Hvis ladingen ikke fungerer, skal batteriet skiftes. |
| | Drivsystemet virker ikke slik det skal. | Kontakt ditt nærmeste autoriserte servicesenter hvis det oppstår behov for reparasjon. |
| Gressklipperkniven roterer ikke: ⇒ stans gressklipperen umiddelbart! | Fremmedlegemer, for eksempel grener, har satt seg fast nære kniven. | Fjern fremmedlegemet. |
| | Drivsystemet virker ikke slik det skal. | Kontakt ditt nærmeste autoriserte servicesenter hvis det oppstår behov for reparasjon. |
| Unormale vibrasjoner: ⇒ stans gressklipperen umiddelbart! | Kniven er i ubalanse, for slitt eller ujevnt slitt. | Skift ut kniven. |

VALGFRITT TILBEHØR

⚠FORSIKTIG: Det anbefales at du bruker dette tilbehøret eller verktøyet sammen med Makita-maskinen som er spesifisert i denne håndboken. Bruk av annet tilbehør eller verktøy kan forårsake personskader. Tilbehør og verktøy må kun brukes til det formålet det er beregnet på.

Ta kontakt med ditt lokale Makita-servicesenter hvis du trenger mer informasjon om dette tilbehøret.

- Gressklipperkniv
- Makita originalbatteri og lader

MERK: Enkelte artikler på listen kan være inkludert som standardtilbehør i produktpakken. Artiklene kan variere fra land til land.

TEKNISET TIEDOT

| | | |
|---------------------------------------|---|-------------------------------|
| Malli: | | LM001C |
| Leikkuuleveys (terän halkaisija) | | 534 mm |
| Kuormittamaton kierrosnopeus | Normaali tila | 2 800 min ⁻¹ |
| | Pehmeä kuormittamaton tila | 2 300–2 800 min ⁻¹ |
| | Äänenvähennystila | 2 300 min ⁻¹ |
| Ruohonleikkurin vaihtoterän osanumero | Suora ruohonleikkurin terä | 191D52-7 |
| | Mukautuvat ruohonleikkurin terät *1 | 191D50-1 |
| | Mukautuvat ruohonleikkurin terät *2 | 191D48-8 |
| Mitat (P x L x K) | P: 1 630 mm – 1 715 mm L: 590 mm K: 990 mm – 1 095 mm | |
| Ajonopeus | 2,5–5,0 km/h | |
| Nimellisjännite | DC 36 V – 40 V maks. | |
| Nettopaino | Suora ruohonleikkurin terää käytettäessä | 42,1 – 48,9 kg |
| | Mukautuvia ruohonleikkurin teriä käytettäessä | 42,8–49,5 kg |
| Suojausluokka | IPX4 | |

*1. Pohjalevy ja yksittäiset ruohonleikkurin terät.

- Jatkuvasta tutkimus- ja kehitystyöstämme johtuen esitetyt tekniset tiedot saattavat muuttua ilman erillistä ilmoitusta.
- Tekniset tiedot voivat vaihdella maittain.
- Paino voi olla erilainen lisävarusteista sekä akusta johtuen. EPTA-menettelytavan 01/2014 mukaisesti, taulukossa on kuvattu kevyin ja painavin laiteyhdistelmä.

*2. Vain yksittäiset ruohonleikkurin terät.







Käytettävä kannettava tehoyksikkö

PDC1200/PDC01

VAROITUS: Käytä vain edellä eriteltyjä kannettavia tehoyksiköitä. Muiden kannettavien tehoyksiköiden käyttäminen voi aiheuttaa loukkaantumisen ja/tai tulipalon.

Symbolit

Laitteessa on mahdollisesti käytetty seuraavia symboleja. Opettele niiden merkitys ennen käyttöä.

| | |
|--|--|
|  | Noudata erityistä varovaisuutta ja kiinnitä huomiota. |
|  | Lue käyttöohje. |
|  | Vaara; varo sinkoutuvia kappaleita. |
|  | Sivullisten henkilöiden etäisyyden työkälystä on oltava vähintään 15 m. |
|  | Pidä kätesi ja jalkasi kaukana ruohonleikkurin alla olevasta terästä. Terät jatkavat pyörimistä moottorin sammuttamisen jälkeen. |
|  | Irrota lukitusavain ennen ruohonleikkurin tarkistamista, säätämistä, puhdistamista, huoltamista tai asettamista säilöön. |



Sähköiskuvaara. Kosketus veden kanssa voi johtaa sähköiskuun.



Älä kaada vettä tuotteen päälle.



Kytke johdot johtopidikkeisiin.



Koskee vain EU-maita
Käytetyillä sähkö- ja elektroniikkalaitteilla, paristoilla ja akuilla voi olla negatiivisia ympäristö- ja terveysvaikutuksia niissä käytettyjen haitallisten osien takia.
Älä hävitä sähkö- ja elektroniikkalaitteita tai akkuja kotitalousjätteen mukana!
Vanhoja sähkö- ja elektroniikkalaitteita, paristoja ja akkuja koskevan EU-direktiivin ja sen perusteella laadittujen kansallisten lakien mukaan käytetyt sähkö- ja elektroniikkalaitteet, paristot ja akut on kierrätettävä toimittamalla ne erilliseen, ympäristönsuojelusäädösten mukaisesti toimivaan kierrätyspisteeseen.
Tämä on ilmaistu laitteessa olevalla ylliviedetyn roska-astian symbolilla.

Käyttötarkoitus

Kone on tarkoitettu ruohonleikkuuseen.

Nämä käyttöohjeet

Näissä käyttöohjeissa termit "akku" tai "akkupaketti" tarkoittavat seuraavia:

- Kannettava tehoyksikkö
- Kannettava tehoyksikkö, johon asennetaan akkupaketiteja
- Kannettava tehoyksikköön asennettavaa akkupaketiteja

Melutaso

Tyypillinen A-painotettu melutaso määräytyy standardin EN60335-2-77 mukaan:

HUOMAA: Arvot on mitattu suorilla ruohonleikkurin terillä varustetusta ruohonleikkurista.

Äänenpainetaso (L_{pA}): 80,0 dB (A)

Äänen voiman taso (L_{WA}): 91,2 dB (A)

Virhemarginaali (K): 3 dB (A)

Työskentelyn aikana melutaso voi ylittää 80 dB (A).

HUOMAA: Ilmoitetut melutasoarvot on mitattu standarditestausmenetelmän mukaisesti ja niiden avulla voidaan vertailla työkaluja keskenään.

HUOMAA: Ilmoitettuja melutasoarvoja voidaan käyttää myös altistumisen alustavaan arviointiin.

VAROITUS: Käytä kuulosuojaimia.

VAROITUS: Sähkötyökalun käytön aikana mitattu melutasoarvo voi poiketa ilmoitetuista arvoista laitteen käyttötavan ja erityisesti käsiteltävän työkappaleen mukaan.

VAROITUS: Selvitä käyttäjän suojaamiseksi tarvittavat varoimet todellisissa käyttöolosuhteissa tapahtuvan arvioidun altistumisen mukaisesti (ottaen huomioon käyttöjakso kokonaisuudessaan, myös jaksot, joiden aikana laite on sammutettuna tai käy tyhjäkäynnillä).

Tärinä

Kokonaistärinä (kolmen akselin vektorien summa) määräytyy standardin EN60335-2-77 mukaan:

HUOMAA: Arvot on mitattu suorilla ruohonleikkurin terillä varustetusta ruohonleikkurista.

Tärinäpäästö (a_w): 2,5 m/s² tai alhaisempi

Virhemarginaali (K): 1,5 m/s²

HUOMAA: Ilmoitetut kokonaistärinäarvot on mitattu standarditestausmenetelmän mukaisesti ja niiden avulla voidaan vertailla työkaluja keskenään.

HUOMAA: Ilmoitettuja kokonaistärinäarvoja voidaan käyttää myös altistumisen alustavaan arviointiin.

VAROITUS: Sähkötyökalun käytön aikana mitattu todellinen tärinäpäästöarvo voi poiketa ilmoitetuista arvoista laitteen käyttötavan ja erityisesti käsiteltävän työkappaleen mukaan.

VAROITUS: Selvitä käyttäjän suojaamiseksi tarvittavat varoimet todellisissa käyttöolosuhteissa tapahtuvan arvioidun altistumisen mukaisesti (ottaen huomioon käyttöjakso kokonaisuudessaan, myös jaksot, joiden aikana laite on sammutettuna tai käy tyhjäkäynnillä).

EY-vaatimustenmukaisuusvakuutus

Koskee vain Euroopan maita

EY-vaatimustenmukaisuusvakuutus on liitetty tähän käyttöoppaaseen.

TURVAVAROITUKSET

TÄRKEITÄ TURVAOHJEITA

VAROITUS: Lue huolellisesti kaikki turvallisuusvaroitukset ja käyttöohjeet. Jos varoitusten ja ohjeiden noudattaminen laiminlyödään, seurauksena voi olla sähköisku, tulipalo ja/tai vakava vammautuminen.

Säilytä varoitukset ja ohjeet tulevaa käyttöä varten.

Koulutus

1. Lue ohjeet huolellisesti. Perehdy ruohonleikkurin säätimiin ja asianmukaiseen käyttöön.
2. Älä anna lasten tai näihin ohjeisiin perehtymättömien henkilöiden käyttää ruohonleikkuria. Paikalliset määräykset voivat rajoittaa käyttäjän ikää.
3. Ruohonleikkuria ei saa koskaan käyttää, kun lähistöllä on muita henkilöitä, etenkin lapsia, tai lemmikkieläimiä.
4. Muista, että käyttäjä vastaa tapaturmista tai vahingoista, jotka hän aiheuttaa muille ihmisille tai heidän omaisuudelleen.
5. Lapsia tulee valvoa ja varmistaa etteivät he pääse leikkimään ruohonleikkurilla.
6. Fyysinen kunto - älä käytä ruohonleikkuria huumausainneiden, alkoholin tai lääkityksen alaisena.

Valmistelu

1. Käytä ruohonleikkuria käyttäessäsi aina tukevia jalkineita ja pitkiä housuja. Älä käytä ruohonleikkuria paljain jaloin tai avosandaalit jalassa. Älä käytä vaatteita tai koruja, jotka ovat väljiä tai joissa on irrallisia nauhoja tai ketjuja. Ne voivat tarttua laitteen liikkuviin osiin.
2. Tarkasta ennen käyttöä silmämääräisesti, ettei ruohonleikkurissa näy merkkejä vaurioista ja ettei siitä ole puuttanut suojuksia tai kilpiä tai ettei niitä ole asennettu väärin.
3. Varmista ennen ruohonleikkurin aloittamista, ettei alueella ole muita ihmisiä. Lopeta ruohonleikkurin käyttö, jos työskentelyalueelle tulee muita.
4. Aseta lukitusavain ruohonleikkuriin vasta, kun leikkuri on käyttövalmis.
5. Käytä aina suojalaseja silmiesi suojaamiseksi tapaturmia vastaan sähkökäyttöisten laitteiden käytön aikana. Suojalasin täytyy noudattaa ANSI Z87.1 Yhdysvalloissa, EN 166 Euroopassa tai AS/NZS 1336 Australiassa / Uudessa Seelannissa olevia vaatimuksia. Australiassa / Uudessa Seelannissa on lainmukaisesti pakollista käyttää kasvosuojaimia myös kasvojen suojaamiseksi.



Työnantajien velvollisuuksiin kuuluu varmistaa, että laitteen käyttäjät ja työpaikan välittömässä läheisyydessä olevat muut sivulliset henkilöt käyttävät asianmukaisia henkilönsuojaimia.

6. Tarkista ennen työskentelyn aloittamista, ettei terissä tai terien pulteissa ole halkeamia tai muita vikoja. Vaihda halkeilleet tai muuten vahingoittuneet terät tai terien pultit heti uusiin.
7. Poista työskentelyalueelta vieraat esineet, kuten kivet, langat ja köydet, pullot, luut ja suuret kepit, välttääksesi henkilövahingot tai ruohonleikkurin vahingot.
8. Ruohonleikkurin terien sinkoamat esineet voivat aiheuttaa vakavia henkilövahinkoja. Ennen jokaista leikkuukertaa nurmikko on tutkittava huolellisesti ja ylimääräiset esineet on poistettava alueelta.
9. Varo koloja, vakoja, töyssyjä, kiviä ja muita näkyttömissä olevia esineitä. Epätasainen maasto lisää liukastumisesta ja kaatumisesta johtuvien tapaturmien riskiä. Pitkä nurmi voi peittää esteet näkyvistä.
10. Älä aseta lukitusavainta paikalleen tai poista sitä sateella.
11. Käytä henkilönsuojaimia. Käytä aina suojalaseja. Suojavarusteiden, esimerkiksi hengityssuojaimen, pitävien turvakengien, suojakypärän tai kuulosuojaimien, asianmukainen käyttö vähentää loukkaantumisia.

Käyttö

1. Älä ylikurkottele. Säilytä tasapainosi koko työskentelyn ajan. Varmista aina tukeva jalkasija rinteessä työskennellessäsi. Kävele, älä koskaan juokse.
2. Sammuta ruohonleikkuri, poista lukitusavain ja varmista, että kaikki liikkuvat osat ovat täysin pysähtyneet:
 - aina poistuessasi ruohonleikkurin luota,
 - ennen tukkeumien selvittämistä tai kourun puhdistamista,
 - ennen ruohonleikkurin tarkastamista, puhdistamista tai kunnossapitoa,
 - laitteen osuttua vieraaseen esineeseen.
 Tarkasta ruohonleikkuri vaurioiden varalta ja korjaa mahdolliset viat, ennen kuin käynnistät sen uudelleen,
 - aina, kun ruohonleikkuri alkaa tärähtää epänormaalisti.
3. Älä koskaan käytä ruohonleikkuria, jos suojukset tai kilvet ovat vioittuneet tai turvalaitteet, esimerkiksi kivisuojat ja/tai ruohosäiliö, eivät ole paikallaan.

4. Vältä käyttämästä ruohonleikkuria huonoissa sääolosuhteissa, varsinkin ukkosella salamaiskun vaaran takia.
5. Käytä ruohonleikkuria käyttäessäsi aina suojalaseja ja kestäviä jalkineita.
6. Käytä ruohonleikkuria vain päivänvalossa tai kirkkaassa keinovalossa.
7. Käynnistä moottori varovaisuutta noudattaen ja ohjeiden mukaisesti ja pidä jalkasi poissa terän (terien) ulottuvilta.
8. Varo, etteivät ruohonleikkurin terät vahingoita jalkojasi tai käsiäsi.
9. Varmista aina, että ilmanvaihtoaukot ovat puhtaan liasta ja pölystä.
10. Leikkaa nurmikko rinteessä aina poikittais-suuntaan, älä koskaan ylös ja alas. Ole erityisen varovainen vaihtaessasi suuntaa rinteessä. Älä leikkaa nurmikkoon liian jyrkissä rinteissä.
11. Ole erityisen varovainen, kun peruutat ruohonleikkuria tai vedät sitä itseäsi kohti.
12. Pysäytä terät, jos ruohonleikkuria on tarpeen kallistaa ruohottomia alueita ylittettäessä, sekä silloin, kun siirät sitä leikattavalle nurmi-alueelle ja takaisin.
13. Älä kallista ruohonleikkuria moottorin käynnistyksen aikana, ellei se ole käynnistymisen kannalta välttämätöntä. Jos kallistaminen on välttämätöntä, kallista laitetta mahdollisimman vähän ja kohota vain käyttäjään nähden kauimpana olevaa puolta. Varmista aina, että molemmat kätesi ovat käyttöasennossa, ennen kuin lasket ruohonleikkurin maahan.
14. Älä aseta käsiäsi tai jalkojasi pyörivien osien alle tai lähelle. Pidä poistoaukko aina esteettömänä jäämistä.
15. Älä kuljeta ruohonleikkuria sen ollessa käynnissä.
16. Vältä ruohonleikkurin käyttämistä märällä nurmikolla.
17. Pidä aina tukevasti kiinni kahvasta.
18. Älä tartu leikkuuteriin tai leikkaaviin reunoihin, kun nostat tai kannattelet ruohonleikkuria.
19. Pidä jalkasi ja kätesi kaukana pyörivistä teristä. Varoitus - terät pyörivät vielä sen jälkeen kun leikkuri on kytketty pois päältä.
20. Lopeta käyttö heti, jos havaitset jotakin epätavallista. Sammuta ruohonleikkuri ja poista lukitusavain. Tarkista sitten ruohonleikkuri.
21. Jos ruohonleikkurissa on leikkuukorkeuden säätömahdollisuus, älä koskaan yritä säätää leikkuukorkeutta, kun ruohonleikkuri on käynnissä.
22. Vapauta kytkinvipu ja anna terien pysähtyä ennen ajo- ja kävelyreittien, yleisten teiden tai sorapintaisten alueiden ylittämistä. Poista lukitusavain, jos poistut ruohonleikkurin luota, kurotut nostamaan jotakin tai ottamaan jotakin pois tieltä tai teet muuta, joka voi jostain syystä siirtää huomiosi pois laitteen käytöstä.
23. Jos ruohonleikkuri osuu vieraaseen esineeseen, toimi seuraavasti:
 - Pysäytä ruohonleikkuri, vapauta kytkinvipu ja odota, että terä pysähtyy täysin.
 - Poista lukitusavain ja irrota akkupaketti.

- Tarkista ruohonleikkuri huolellisesti vaurioiden varalta.
 - Vaihda terä, jos se on jotenkin vaurioitunut. Korjaa mahdolliset vahingot ennen ruohonleikkurin uudelleen käynnistämistä ja toiminnan jatkamista.
24. Älä käynnistä ruohonleikkuria seisossasi poistoaukon edessä.
 25. Jos ruohonleikkuri alkaa täristä epänormaalisti (tutki syy heti)
 - Tarkasta vauriot,
 - Vaihda tai korjaa vaurioituneet osat,
 - Tarkasta ja kiristä löystyneet osat.
 26. Älä koskaan suuntaa ulos lentävää materiaalia ihmisiä kohti. Vältä ulos lentävän materiaalin suuntaamista seinää tai muuta estettä kohti. Materiaali voi tällöin kimmota takaisin käyttäjää kohti. Pysäytä terä, kun ylität sorapintoja.
 27. Älä vedä ruohonleikkuria taaksepäin ellei se ole täysin välttämätöntä. Jos ruohonleikkuria on vedettävä taaksepäin aidan tai muun vastaavan esteen ohittamiseksi, katso taaksesi ja alas ennen kuin aloitat liikkuu taaksepäin.
 28. Sammuta moottori ja odota, että terä pysähtyy täysin, ennen kuin irrotat ruohonkerääjän. Pidä mielessä, että terät pyörivät hetken vapaasti sammuttamisen jälkeen.
 29. Kun käytät laitetta mutaiseen maastossa, märässä rinteessä tai liukkaassa paikassa, kiinnitä erityistä huomiota hyvän tasapainon säilyttämiseen.
 30. Vältä työskentelemistä heikoissa olosuhteissa, jotka saattavat uuvuttaa käyttäjää liiallisesti.
 31. Älä käytä laitetta huonoissa sääoloissa, kun näkyvyys on rajoittunut. Muussa tapauksessa seurauksena voi olla heikentyneestä näkyvyydestä johtuva kaatuminen tai virhekäyttö.
 32. Älä upota laitetta lammikkoihin.
 33. Poista imuaukkoon (tuuletusaukkoon) kiinni jäävät märät lehdet ja lika.
 34. Älä käytä laitetta lumessa.
 35. Jos leikattava nurmikko on märkää, sitä todennäköisesti pakkaantuu laitteen sisälle. Tarkista tällöin laitteen kunto säännöllisesti ja poista kiinni jäänyt ruoho tarvittaessa.
 36. Kun käytät konetta, kiinnitä huomiota putkien ja johtojen sijaintiin.

Kunnossapito ja säilytys

1. Vaihda kuluneet tai vioittuneet osat turvallisuusyistä. Käytä vain aitoja varaosia ja tarvikkeita.
 2. Tarkasta ja huolla ruohonleikkuri säännöllisesti.
 3. Kun et käytä ruohonleikkuria, säilytä se lasten ulottumattomissa.
 4. Varmista laitteen käyttöturvallinen kunto tarkistamalla, että kaikki mutterit, pultit ja ruuvit ovat tiukasti kiinni.
 5. Tarkista säännöllisesti, ettei ruohosäiliössä ole kulumia tai murtumia. Tarkista ennen laitteen asettamista säiliöön, että ruohosäiliö on tyhjä. Kulunut ruohosäiliö on turvallisuusyistä korvattava tehdasuudella.
 6. Käytä vain valmistajan tässä ohjeessa ilmoittamia teriä.
7. Varo laitteen säätämisen aikana, etteivät sormesi jää pyörivien terien ja ruohonleikkurin kiinteiden osien väliin.
 8. Tarkista säännöllisesti, että terän kiinnityspultit ovat riittävän kireällä.
 9. Anna ruohonleikkurin jäähtyä, ennen kuin siirrä sen varastoon.
 10. Kun huollat teriä, muista, että vaikka virta on katkaistu, terät voivat silti liikkua.
 11. Älä koskaan poista tai peukaloi turvalaitteita. Tarkista säännöllisesti, että ne toimivat oikein. Älä koskaan yritä vaikuttaa turvalaitteiden tarkoituksenmukaiseen toimintaan tai heikentää turvalaitteen toimivuutta.
 12. Älä jätä laitetta ulos sateeseen ja valvomatta.
 13. Älä pese laitetta korkeapaineisella vesisuihkulla.
 14. Kun peset koneen, irrota akku ja lukitusavain ennen pesua ja kaada koneen päälle vettä niin, että se valuu koneen pohjaa eli terän kiinnityskohtaa kohti.
 15. Kun varastoit laitteen, vältä sijoittamasta sitä paikkaan, jossa se altistuu suoralle auringonpaisteelle, sateelle, kuumuudelle tai kosteudelle.
 16. Tee tarkistukset ja huoltotoimet paikassa, joka on suojassa sateelta.
 17. Irrota kiinni jäänyt lika laitteesta ja kuivaa laite huolellisesti ennen sen varastoimista. Muutoin voi olla olemassa riski jäätymisestä johtuvalle toimintahäiriöllä vuodenajasta ja alueesta riippuen.

Akkukäyttöisen työkalun käyttö ja hoito

1. Lataa akkua vain valmistajan määrittämällä laturilla. Tietylle akkupaketille sopiva laturi voi aiheuttaa tulipalovaaran, jos sitä käytetään muuntyyppisen akkupaketin yhteydessä.
2. Käytä sähkötyökaluja vain määritysten mukaisten akkujen kanssa. Muuntyyppisten akkujen käyttäminen voi aiheuttaa loukkaantumista tai tulipalovaaran.
3. Kun akku ei ole käytössä, säilytä se erillään metalliesineistä, kuten paperiliittimistä, kolikoista, avaimista, nautoista, ruuveista ja muista pienistä metalliesineistä, jotka voivat yhdistää akun navat. Akun napojen oikosulkeminen voi aiheuttaa palovamman tai tulipalon.
4. Akusta voi vuotaa nestettä, jos sitä käsitellään väärin. Vältä kosketusta. Jos nestettä pääsee iholle vahingossa, huuhtele iho vedellä. Jos nestettä pääsee silmiin, hakeudu lääkärin hoitoon. Ulos purkautunut akkuneste voi ärsyttää ihoa tai aiheuttaa palovammoja.
5. Älä käytä viallista tai muunneltua akkua tai työkalua. Vialliset tai muunnellut akut voivat toimia odottamattomasti aiheuttamalla tulipalo-, räjähdys- tai tapaturmavaaran.
6. Älä altista akkua tai työkalua tulelle tai äärimmäisille lämpötiloille. Altistus tulelle tai yli 130 °C lämpötiloille voi aiheuttaa räjähdyksen.
7. Noudata kaikkia latausohjeita, äläkä lataa akkua tai työkalua ohjeissa määritettyjen lämpötilarajojen ulkopuolella. Väärin tai ohjeissa määritettyjen lämpötilarajojen ulkopuolella suoritettu lataus voi aiheuttaa akkuvaurion ja kasvattaa tapaturmavaaraa.

Sähköturvallisuus ja akku

1. Älä hävitä akkuja polttamalla. Akkukenko voi räjähtää. Tarkista, onko paikallisissa määräyksissä erityisiä laitetta koskevia hävitysohjeita.
2. Älä avaa tai riko akkuja. Akusta mahdollisesti vuotava elektrolyytti on syövyttävää ja saattaa vaurioittaa ihoa tai silmiä. Se saattaa olla myrkyllistä nieltynä.
3. Älä lataa akkuja sateessa tai kosteissa olosuhteissa.
4. Älä lataa akkuja ulkona.
5. Älä käsittele laturia tai sen liitinosaa ja latausliittimiä märin käsin.
6. Älä vaihda akkuja sateessa.
7. Älä kastele akun liittimiä nesteellä, kuten vedellä, äläkä upota akkuja nesteeseen. Älä jätä akkuja sateeseen, äläkä lataa tai käytä akkuja kosteassa tai märässä paikassa tai varastoi sitä tällaiseen paikkaan. Jos liitin kastuu tai akun sisälle pääsee nestettä, akku voi mennä oikosulkuun, mikä aiheuttaa ylikuumentumisen, tulipalon tai räjähdysvaaran.
8. Kun akku on poistettu laitteesta tai laturista, kiinnitä akun suojakansi akkuun ja varastoi se kuivaan paikkaan.
9. Älä vaihda akkuja märin käsin.
10. Jos akkupaketti kastuu, valuta vesi pois sen sisältä ja kuivaa se sitten kuivalla kankaalla. Kuivaa akkupaketti kokonaan kuivassa paikassa ennen käyttöä.
11. Vältä vaarallisia ympäristöjä. Älä käytä konetta kosteissa tai märissä paikoissa äläkä altista sitä sateelle. Koneen sisään päässyt vesi lisää sähköiskun vaaraa.

Huolto

1. Anna pätevän korjaajan huoltaa sähkötyökalusi käyttäen vain identtisiä varaosia. Näin varmistetaan, että sähkötyökalun turvallisuus säilyy.
2. Älä koskaan huolla viallisia akkuja. Akkujen huolto on suoritettava ainoastaan valmistajan tai valtuutetun huoltoliikkeen toimesta.

SÄILYTÄ NÄMÄ OHJEET.

VAROITUS: ÄLÄ anna työkalun helpokäyttöisyyden (toistuvan käytön aikaansaama) johtaa sinua väärään turvallisuuden tunteeseen niin, että laiminlyöt työkalun turvaohjeiden noudattamisen. VÄÄRINKÄYTTÖ tai tässä käyttöohjeessa ilmoitettujen turvamääräysten laiminlyönti voi aiheuttaa vakavia henkilövahinkoja.

Akkupakettia koskevia tärkeitä turvaohjeita

1. Ennen akun käyttöönottoa tutustu kaikkiin laturissa (1), akussa (2) ja akkukäyttöisessä tuotteessa (3) oleviin varoitusteksteihin.
2. Älä pura tai peukaloi imuria akkupakettia. Se voi johtaa tulipaloon, ylikuumentumiseen tai räjähdysvaaraan.
3. Jos akun toiminta-aika lyhenee merkittävästi, lopeta akun käyttö. Seurauksena voi olla ylikuumentuminen, palovammoja tai jopa räjähdys.

4. Jos akkunestettä pääsee silmiin, huuhtele puhtaalla vedellä ja hakeudu välittömästi lääkärin hoitoon. Akkuneste voi aiheuttaa näön menetyksen.
5. Älä oikosulje akkuja.
 - (1) Älä koske akun napoihin millään sähköä johtavalla materiaalilla.
 - (2) Vältä akun oikosulkemista äläkä säilytä akkuja yhdessä muiden metalliesineiden, kuten nautojen, kolikoiden ja niin edelleen kanssa.
 - (3) Älä aseta akkuja alttiiksi vedelle tai sateelle.Oikosulku voi aiheuttaa virtapiikin, ylikuumentumista, palovammoja tai laitteen rikkoontumisen.
6. Älä säilytä ja käytä työkalua ja akkupakettia paikassa, jossa lämpötila voi nousta 50 °C:een (122 °F) tai korkeammaksi.
7. Älä hävitä akkuja polttamalla, vaikka se olisi pahoin vaurioitunut tai täysin loppuun kulunut. Avotuli voi aiheuttaa akun räjähtämisen.
8. Älä naukaa, leikkaa, purista, heitä tai pudota akkupakettia tai iske sitä kovia esineitä vasten. Tällaiset toimet voivat johtaa tulipaloon, ylikuumentumiseen tai räjähdysvaaraan.
9. Älä käytä viallista akkuja.
10. Sisältyviä litium-ioni-akkuja koskevat vaarallisten aineiden lainsäädännön vaatimukset. Esimerkiksi kolmansien osapuolten huolintaliikkeiden tulee kaupallisissa kuljetuksissa noudattaa pakkaamista ja merkintöjä koskevia erityisvaatimuksia. Lähetettävän tuotteen valmistelu edellyttää vaarallisten aineiden asiantuntijan neuvontaa. Huomioi myös mahdollisesti yksityiskohtaisemmat kansalliset määräykset
Akun avoimet liittimet tulee suojata teipillä tai suojuksella ja pakkaaminen tulee tehdä niin, ettei akku voi liikkua pakkauksessa.
11. Kun akkupaketti on hävitettävä, poista se laitteesta ja hävitä se turvallisesti. Hävitä akku paikallisten määräysten mukaisesti.
12. Käytä akkuja vain Makitan ilmoittamien tuotteiden kanssa. Akkujen asentaminen yhteensopimattomiin tuotteisiin voi aiheuttaa tulipalon, liiallisen ylikuumentumisen, räjähdysvaaran tai akkunestevuotoja.
13. Jos laitetta ei käytetä pitkään aikaan, akku on poistettava laitteesta.
14. Akkupaketin lämpötila voi käytön aikana ja sen jälkeen nousta niin kuumaksi, että se voi aiheuttaa palovammoja tai lieviä palovammoja. Käsittele kuumia akkupaketteja huolellisesti.
15. Älä kosketa työkalun liittintä välittömästi käytön jälkeen, sillä se voi olla riittävän kuuma aiheuttamaan palovammoja.
16. Älä päästä lastuja, pölyä tai maata akkupaketin liittimiin, aukkoihin ja uriin. Se voi heikentää työkalun tai akkupaketin suorituskykyä tai johtaa niiden rikkoutumiseen.
17. Ellei työkalu tue käyttöä korkeajännitelinjojen lähellä, älä käytä akkupakettia korkeajännitelinjojen lähellä. Se voi johtaa työkalun tai akkupaketin toimintahäiriöön tai rikkoutumiseen.

18. Pidä akku poissa lasten ulottuvilta.

SÄILYTÄ NÄMÄ OHJEET.

▲HUOMIO: Käytä vain alkuperäisiä Makita-akkuja. Muiden kuin aitojen Makita-akkujen, tai mahdollisesti muutettujen akkujen käyttö voi johtaa akun murtumiseen ja aiheuttaa tulipaloja, henkilö- ja omaisuusvahinkoja. Se mitätöi myös Makita-työkalun ja -laturin Makita-takuun.

Vihjeitä akun käyttöön pidentämiseksi

1. Lataa akku ennen kuin se purkautuu täysin. Lopeta aina työkalun käyttö ja lataa akku, jos huomaat työkalun tehon vähenevän.
2. Älä koskaan lataa uudestaan täysin ladattua akkua. Yliilataaminen lyhentää akun käyttöikää.
3. Lataa akku huoneen lämpötilassa välillä 10 °C - 40 °C. Anna kuumen akun jäähtyä ennen lataamista.
4. Irrota akkupaketti työkalusta tai laturista, kun sitä ei käytetä.
5. Lataa akkupaketti, jos et käytä sitä pitkään aikaan (yli kuusi kuukautta).

KOKOONPANO

▲VAROITUS: Varmista aina ennen ruohonleikkurin huolto- ja korjaustoimia, että lukitusavain ja akkupaketti on irrotettu. Jos lukitusavainta ja akkua ei irroteta, laite voi käynnistyä vahingossa ja aiheuttaa vakavia vammoja.

▲VAROITUS: Älä koskaan käynnistä ruohonleikkuria, jos sen kaikkia osia ei ole täysin asennettu. Jos kaikki osat eivät ole paikallaan, kone voi käynnistyä tahattomasti ja aiheuttaa vakavia vammoja.

Kahvan asentaminen

HUOMAUTUS: Kun asennat kahvoja, sijoita liitäntäjohdot siten, etteivät ne voi tarttua mihinkään kahvojen välissä. Jos virtajohto vaurioitunut, ruohonleikkurin kytkin ei ehkä toimi.

1. Kohdista kahvan alaosaan reiät ruohonleikkurin rungossa oleviin reikiin ja kiristä 4 pulttia sitten tilapäisesti.
▶ **Kuva1:** 1. Kahvan alaosa 2. Pultti
2. Kiristä vaiheessa 1 tilapäisesti kiristetyt 4 pulttia lopulliseen tiukkuuteen koon 13 hylsyavaimella.
3. Kohdista kahvan alaosaan oleva reikä kahvan yläosaan reiän kanssa, aseta sitten pultti paikalleen sisäpuolelta ja kiristä mutteri ulkopuolelta koon 13 hylsyavaimella. Tee sama toimenpide toisella puolella.
▶ **Kuva2:** 1. Pultti 2. Kahvan alaosa 3. Mutteri 4. Reikä 5. Kahvan yläosa

▲HUOMIO: Pidä kahvan yläosaa lujasti niin, ettei se putoa kädestäsi. Muutoin kahva voi kaatua ja aiheuttaa vammoja.

4. Kiinnitä pidikkeet kahvaan.

Kohdista pidikkeen ulokkeet kahvan reikiin niin, että ulokkeet asetuvat reikiin. Sijoita johdot paikalleen kuvan mukaisesti.

▶ **Kuva3:** 1. Johto 2. Pidike

Levitysosan irrottaminen

1. Avaa takakansi.
▶ **Kuva4:** 1. Takakansi
2. Pidä vipu alhaalla, kun irrotat levitysosan.
▶ **Kuva5:** 1. Vipu 2. Levitysosa

Ruohosäiliön kokoaminen

1. Työnnä runko niin syvästi ruohosäiliöön kuin se menee.
▶ **Kuva6:** 1. Runko 2. Ruohosäiliö
2. Kiinnitä yläkiinnitin runkoon kuvan mukaisesti.
▶ **Kuva7:** 1. Kiinnitin
3. Kiinnitä kaikki kiinnittimet runkoon kuvan mukaisesti. Varmista, että kaikki kiinnittimet ovat pitävästi kiinni rungossa.
▶ **Kuva8**

Ruohosäiliön asentaminen ja irrottaminen

Ruohosäiliö asennetaan seuraavien ohjeiden mukaisesti.

1. Avaa takakansi.
▶ **Kuva9:** 1. Takakansi
2. Ota kiinni ruohosäiliön kahvasta ja ripusta ruohosäiliö sitten ruohonleikkurin rungossa olevaan tankoon kuvan mukaisesti.
▶ **Kuva10:** 1. Tanko 2. Kahva 3. Ruohosäiliö

Irrota ruohosäiliö avaamalla takakansi, tarttumalla ruohosäiliön kahvaan ja vetämällä ruohosäiliö irti.

Levitysosan kiinnittäminen

1. Avaa takakansi ja irrota ruohosäiliö.
▶ **Kuva11:** 1. Takakansi 2. Ruohosäiliö
2. Kun kiinnität levitysosan, pidä vipua alhaalla. Lukitse levitysosa sitten paikalleen vapauttamalla vipu.
▶ **Kuva12:** 1. Vipu 2. Levitysosa

Poistolaitteen kiinnittäminen

1. Avaa takakansi ja irrota ruohosäiliö.
▶ **Kuva13:** 1. Takakansi 2. Ruohosäiliö
2. Kun kiinnität levitysosan, pidä vipua alhaalla. Lukitse levitysosa sitten paikalleen vapauttamalla vipu.
▶ **Kuva14:** 1. Vipu 2. Levitysosa
3. Avaa oikeanpuoleinen kansi ja kiinnitä poistolaitte. Aseta poistolaitteen koukut oikeanpuoleisen kannen tangon alle.
▶ **Kuva15:** 1. Oikeanpuoleinen kansi 2. Poistolaitte

TOIMINTOJEN KUVAUS

Kannettavan tehoyksikön asentaminen ja irrottaminen

▲HUOMIO: Sammuta kone aina ennen kannettavan tehoyksikön asentamista tai irrottamista.

▲HUOMIO: Pidä koneesta ja kannettavasta tehoyksiköstä tiukasti kiinni, kun asennat tai irrotat kannettavaa tehoyksikköä. Jos kone ja kannettava tehoyksikkö putoavat käsistäsi, ne voivat vaurioitua tai aiheuttaa henkilövamman.

▲HUOMIO: Varmista, että kannettava tehoyksikkö on pitävästi kiinni koneessa. Jos näin ei ole, sen putoaminen koneesta voi aiheuttaa vammoja joko sinulle tai sivullisille.

▲HUOMIO: Varmista ennen käyttöä, että johto on pitävästi kiinni johtopidikkeissä ja että pistoke on täysin kytketty pistotulppaan.

PDC1200

1. Sijoita kannettavan tehoyksikön johto kuvan mukaisesti.
▶ **Kuva16:** 1. Kannettava tehoyksikkö 2. Johto
2. Asenna kannettava tehoyksikkö koneeseen kuvan mukaisesti.
▶ **Kuva17:** 1. Akun tukivipu 2. Kannettava tehoyksikkö 3. Lukituspainike

▲HUOMIO: Varmista, että kannettava tehoyksikkö on lukittunut pitävästi akun tukivipuihin ja että lukituspainike on lukittunut pitävästi.

3. Kiinnitä johto johtopidikkeisiin kuvan mukaisesti. Avaa pistotulpan kansi, kohdist pistokkeen nuolimerkki koneessa olevan merkin kanssa ja työnnä sitten pistoke täysin kiinni pistotulppaan.
▶ **Kuva18:** 1. Pistotulpan kansi 2. Nuolimerkki 3. Pistoke 4. Johto

HUOMAUTUS: Älä työnnä pistoketta paikalleen väkisin. Jos pistoke ei asetu paikalleen helposti, se on väärässä asennossa.

HUOMAUTUS: Kun irrotat pistokkeen pistotulppasta, älä pidä kiinni johdosta vaan pistokkeesta. Muutoin johto voi vahingoittua, mikä voi johtaa koneen toimintahäiriöön.

4. Avaa lukitusavaimen kansi, sijoita lukitusavain kuvan mukaisesti niin syvälle kuin se menee ja sulje sitten lukitusavaimen kansi.
▶ **Kuva19:** 1. Lukitusavain 2. Lukitusavaimen kansi

Irrota kannettava tehoyksikkö päinvastaisessa järjestyksessä kuin se asennettiin.

PDC01

HUOMAA: Asenna vähintään yksi akku akkuliitäntään 1 tai 2 ja vähintään yksi akku akkuliitäntään 3 tai 4 ennen kannettavan tehoyksikön asentamista koneeseen.

1. Sijoita kannettavan tehoyksikön johto kuvan mukaisesti.
▶ **Kuva20:** 1. Kannettava tehoyksikkö 2. Johto
2. Asenna kannettava tehoyksikkö koneeseen kuvan mukaisesti. Lukitse kannettavan tehoyksikön molemmilla puolilla olevat lukitusvivut.
▶ **Kuva21:** 1. Akun tukivipu 2. Lukitusvipu 3. Kannettava tehoyksikkö

▲HUOMIO: Varmista, että kannettava tehoyksikkö on lukittunut pitävästi akun tukivipuihin ja että lukitusvivut ovat lukittuneet pitävästi.

3. Kiinnitä johto johtopidikkeisiin kuvan mukaisesti. Avaa pistotulpan kansi, kohdist pistokkeen nuolimerkki koneessa olevan merkin kanssa ja työnnä sitten pistoke täysin kiinni pistotulppaan.
▶ **Kuva22:** 1. Pistotulpan kansi 2. Nuolimerkki 3. Pistoke 4. Johto

HUOMAUTUS: Älä työnnä pistoketta paikalleen väkisin. Jos pistoke ei asetu paikalleen helposti, se on väärässä asennossa.

HUOMAUTUS: Kun irrotat pistokkeen pistotulppasta, älä pidä kiinni johdosta vaan pistokkeesta. Muutoin johto voi vahingoittua, mikä voi johtaa koneen toimintahäiriöön.

4. Avaa lukitusavaimen kansi, sijoita lukitusavain kuvan mukaisesti niin syvälle kuin se menee ja sulje sitten lukitusavaimen kansi.
▶ **Kuva23:** 1. Lukitusavain 2. Lukitusavaimen kansi

Irrota kannettava tehoyksikkö päinvastaisessa järjestyksessä kuin se asennettiin.

Koneen/akun suojausjärjestelmä

Kone on varustettu koneen/akun suojausjärjestelmällä. Tämä järjestelmä pidentää koneen ja akun käyttöikää katkaisemalla automaattisesti moottorin virran. Kone pysähtyy automaattisesti kesken käytön, jos siinä tai akussa ilmenee jokin seuraavista tilanteista:

Ylikuormitussuoja

Kun akkuä käytetään tavalla, joka saa sen kuluttamaan epätavallisen suuren määrän virtaa, kone pysähtyy automaattisesti ja päävirran merkivalo vilkkuu vihreänä. Katkaise tässä tilanteessa koneesta virta ja lopeta ylikuormitustilan aiheuttanut käyttö. Käynnistä sitten kone uudelleen kytkemällä siihen virta.

Ylikuumenemissuoja

Koneen tai akun ylikuumentessa kone pysähtyy automaattisesti ja päävirran merkivalo alkaa vilkkua punaisena. Anna tällöin koneen ja akun jäähtyä, ennen kuin kytket virran uudelleen päälle.

Ylipurkautumissuoja

Jos akkukapasiteetti ei riitä, kone pysähtyy automaattisesti, päävirran merkivalo alkaa vilkkua punaisena ja merkkivalo syttyy. Irrota tällöin akku koneesta ja lataa akku tai vaihda akku täyteen ladattuun.

Ohjauspaneeli

Ohjauspaneelissa on päävirtakytkin ja tilanvaihtopainike.

- **Kuva24:** 1. Pehmeän kuormittamattoman tilan merkkivalo 2. Äänenvähennystilan merkkivalo 3. Tilanvaihtopainike 4. Päävirran merkkivalo 5. Päävirtakytkin

Päävirtakytkin

VAROITUS: Kytke aina päävirtakytkin pois päältä, kun työkalua ei käytetä.

Kun haluat kytkeä laitteen päälle, paina päävirtakytkintä. Päävirran merkkivalo alkaa palaa vihreänä. Kun haluat sammuttaa laitteen, paina päävirtakytkintä uudelleen.

HUOMAA: Jos päävirran merkkivalo palaa punaisena tai vilkkuu punaisena tai vihreänä, lue koneen/akun suojausjärjestelmää koskevat ohjeet.

HUOMAA: Tämä kone sisältää automaattisen sammutustoiminnon. Tahattoman käynnistyksen välttämiseksi päävirtakytkin sammuu automaattisesti, kun kytkinvipu ja ajovipu (jos se on asennettuna) on ollut käyttämättä määrätyn aikaa päävirtakytkimen ollessa kytkettynä päälle.







Tilanvaihtopainike

Tilanvaihtopainiketta painamalla voi vaihtaa toimintatilaa. Kun kone kytketään päälle, se käynnistyy normaalitilassa. Kun painat tilanvaihtopainiketta, kone siirtyy pehmeään kuormittamattomaan tilaan ja pehmeän kuormittamattoman tilan merkkivalo alkaa palaa vihreänä. Pehmeä kuormittamaton tila minimoi käynnistämisasiäksen. Kun painat tilanvaihtopainiketta uudelleen, kone siirtyy äänenvähennystilaan ja äänenvähennystilan merkkivalo alkaa palaa vihreänä. Äänenvähennystilaa käyttämällä voit vaimentaa ruohonleikkurista aiheutuvia ääniä. Kun painat tilanvaihtopainiketta uudelleen, kone palaa normaalitilaan.

Akun jäljellä olevan varaustason ilmaisin

Kun jäljellä oleva akkukapasiteetti on vähissä, merkkivalo alkaa vilkkuu tai syttyy palamaan.

- **Kuva25:** 1. Merkkivalo

| Merkkivalo | | | Akussa jäljellä olevan varaus |
|---|---|---|-------------------------------|
| Pois päältä | Vilkkuu | Palaa | |
|  |  |  | 20 % – 100 % |
|  |  |  | |
| | | | Lataa akku. |

HUOMAA: Jäljellä olevan varaustason merkkivalot ovat vain viitteellisiä. Todellinen akkukapasiteetti voi vaihdella käytön mukaan.

HUOMAA: Merkkivalon näyttötila päivittyy, kun kone pysähtyy.

Kytkimen käyttäminen

VAROITUS: Tarkista aina ennen kannettavan tehoyksikön asentamista, että kytkinvipu kytketty oikein ja palaa alkuperäiseen asentoonsa, kun se vapautetaan. Jos konetta käytetään, kun kytkin ei toimi moitteettomasti, seurauksena voi olla hallinnan menetys ja vakava henkilövahinko.

HUOMAA: Ruohonleikkuri ei käynnisty painamatta katkaisinpainiketta, vaikka kytkinvipua vedetään.

HUOMAA: Ruohonleikkuri ei ehkä käynnisty ylikuormituksen vuoksi, kun yrität leikata pitkää tai tiheää ruohoa liiallisesti. Lisää tässä tapauksessa leikkuukorkeutta.

Tämä ruohonleikkuri on varustettu lukitusavaimella ja kahvassa olevalla kytkimellä. Jos lukitusavaimen tai kytkimen toiminnassa ilmenee jotakin epätavallista, lopeta käyttö heti ja pyydä valtuutettua Makita-huoltoliikettä tarkastamaan ne.

- Asenna kannettava tehoyksikkö ja aseta sitten lukitusavain paikalleen.
- Paina kannettavan tehoyksikön virtapainiketta. Päävirran merkkivalo syttyy.

PDC1200

- **Kuva26:** 1. Virtapainike 2. Päävirran merkkivalo

PDC01

- **Kuva27:** 1. Virtapainike 2. Päävirran merkkivalo

- Paina päävirtakytkintä.
 - Vedä kytkinvipua itseäsi kohti pitämällä samalla kytkinpainiketta painettuna. Vapauta kytkinpainike heti, kun moottori alkaa pyöriä.
- **Kuva28:** 1. Kytkinpainike 2. Kytkinvipu

HUOMAA: Jos lukitusavain ei ole paikallaan, virran merkkivalo vilkkuu vihreänä, kun painat kytkinvipua.

- Kun pidät kytkinvipua painettuna ja painat ajovipua eteenpäin, takapyörät pyörivät.
- **Kuva29:** 1. Ajovipu

HUOMAA: Takapyörät pyörivät, kun painat ajovipua eteenpäin ja pidät sitä vetämättä kytkinvipua.

- Pysäytä kone vapauttamalla ajovipu ja kytkinvipu.

Leikkuusyvyuden säätäminen

VAROITUS: Älä koskaan työnnä jalkojasi tai käsiäsi ruohonleikkurin rungon alle leikkuukorkeuden säädön aikana.

VAROITUS: Varmista aina ennen käyttöä, että vipu sopii uraan.

Leikkuukorkeuden säätöalue on 20 mm – 100 mm.

Poista lukitusavain, vedä sitten leikkuukorkeuden säätövipua ulospäin ruohonleikkurin rungosta ja säädä leikkuukorkeus haluamaksesi.

- **Kuva30:** 1. Leikkuukorkeuden säätövipu

Seuraavassa taulukossa on ilmoitettu ruohonleikkurin rungossa olevaa numeroa vastaava leikkuukorkeus.

| Numero | Leikkuukorkeus |
|--------|----------------|
| 1 | 20 mm |
| 2 | 26 mm |
| 3 | 32 mm |
| 4 | 39 mm |
| 5 | 47 mm |
| 6 | 55 mm |
| 7 | 63 mm |
| 8 | 74 mm |
| 9 | 86 mm |
| 10 | 100 mm |

Pidä etukahvaa tai kahvan alaosaa toisella kädellä ja liikuta sitten leikkuukorkeuden säätövipua toisella kädellä.

► **Kuva31:** 1. Leikkuukorkeuden säätövipu 2. Kahvan alaosa 3. Etukahva

HUOMAA: Leikkuukorkeuden arvoja tulee käyttää vain ohjeellisesti. Riippuen nurmikon tai maanpinnan kunnosta, todellinen nurmikon korkeus saattaa olla hieman erilainen kuin asetettu korkeus.

HUOMAA: Kokeile leikkuukorkeutta ensin nurmikon syrjäisemässä osassa.

Ruohomäärän ilmaisun

Ruohomäärän ilmaisun näyttää leikatun ruohon määrän. Kun ruohosäiliö ei ole täynnä, ilmaisun liikkuu terien pyöriessä.

► **Kuva32:** 1. Ruohomäärän ilmaisun

Kun ruohosäiliö on lähes täynnä, ilmaisun ei liiku terien pyöriessä. Lopeta tällöin leikkaaminen heti ja tyhjennä säiliö.

► **Kuva33:** 1. Ruohomäärän ilmaisun

HUOMAA: Tämä ilmaisun on vain karkea ohje. Säiliön sisäisen tilanteen mukaan ilmaisun ei ehkä toimi oikein kaikissa tilanteissa.

Kahvakorkeuden säätäminen

⚠HUOMIO: Ennen kuin alat irrottaa pultteja, ota tukeva ote kahvan yläosasta. Muutoin kahva voi kaatua ja aiheuttaa vammoja.

Kahvan korkeutta voidaan säätää kahdella tasolla.

1. Irrota kahvan alaosan yläpultit koon 13 hylsyavaimella ja löysää alapultteja.

► **Kuva34:** 1. Yläpultti 2. Alapultti

2. Säätä kahvan korkeus haluamaksesi ja kiristä sitten ylä- ja alapultit tiukasti.

Ajonopeuden säätäminen

► **Kuva35:** 1. Nopeusvipu

Ajonopeutta voidaan säätää nopeusvivulla. Kun haluat pienentää nopeutta, vedä vipua itseäsi kohti. Kun haluat lisätä nopeutta, paina vipua eteenpäin.

Levitysosan käyttäminen

Levitysosaa käyttämällä leikatun ruohon voi palauttaa maahan keräämättä sitä ruohosäiliöön. Kun käytät levitysosaa koneessa, muista irrottaa ruohosäiliö.

HUOMAUTUS: Kun käytät konetta levitysosan kanssa, varmista, että ruohon pituus leikkuun jälkeen on vähintään 30 mm ja että leikkauspituus on enintään 15 mm.

► **Kuva36:** (1) Vähintään 30 (2) Enintään 15

Poistolaitteen käyttäminen

Poistolaitteella leikatun ruohon voi poistaa maahan koneen oikealta puolelta keräämättä sitä ruohosäiliöön. Kun käytät koneessa poistolaitetta, muista asentaa levitysosa ja irrottaa ruohosäiliö.

Sähköinen toiminta

Laitte on varustettu sähköisillä toimintoilla helpokäyttöisyyttä ajatellen.

- Terän pyörimisen vakionopeussäätö Sähköinen nopeudensäätö vakionopeuden säätämiseksi. Kauti viimeistelyn saavuttaminen on mahdollista, koska pyörimisnopeus pysyy vakiona jopa kuormituksen alla.
- Pehmeä ajokäynnistyksen Pehmeän käynnistyksen toiminto minimoi käynnistyskoneen käynnistämällä laitteen tasaisesti.
- Sähköjarru Tämä kone on varustettu sähköjarrulla. Jos koneen ruohonleikkurit terät toistuvasti pysähtyvät hitaasti, kun kytkinvipu vapautetaan, huollata kone valtuutetussa Makita-huoltoliikkeessä.

TYÖSKENTELY

Ruohonleikkuu

⚠VAROITUS: Poista kepit ja kivet leikkualaueilta ennen leikkua aloittamista. Poista myös rikkaruohot alueilta ennen ruohon leikkaamista.

⚠VAROITUS: Käytä sivusuojilla varustettuja suojalaseja aina, kun käytät ruohonleikkuria.

⚠HUOMIO: Jos leikattu ruoho tai vierasesineet aiheuttavat tukoksen ruohonleikkurin rungossa, poista lukitusavain ja irrota akkupaketti ennen kuin alat poistaa ruohoa tai vierasesineitä. Käytä käsineitä poiston aikana.

HUOMAUTUS: Käytä tätä konetta vain ruohon leikkaamiseen. Älä leikkaa rikkakasveja tällä koneella.

► **Kuva37**

Pida kahvasta tukevasti molemmin käsin kiinni leikkuun aikana. Suositeltu leikkuunopeus on noin 7–14 metriä 10 sekunnissa.

► **Kuva38**

Etupyörien keskiviivat toimivat leikkuleveyden oppaana. Käytä keskiviivoja apuna arvioinnissa ja leikkaa kaista kerrallaan. Limitä uusi kaista noin kolmasosasta puoleen väliin edellisen kaistan kanssa, niin leikatusta nurmikosta tulee tasainen.

► **Kuva39:** 1. Leikkuleveys 2. Limitäinen alue 3. Keskiviiva

Vaihda leikkusuuntaa joka kaistalle, jotta leikkuukuvio ei ole vain yksisuuntainen.

► **Kuva40**

Tarkista aika ajoon leikattu ruohomäärä ruohosäiliöstä. Tyhjennä se ruohosta ennen sen täyttymistä. Varmista ennen kaikkia tarkastuksia, että ruohonleikkuri on pysäytetty ja lukitusavain ja kannettavan tehoyksikön pistoke on irrotettu.

HUOMAUTUS: Jos ruohonleikkuria käytetään täysinäisellä ruohosäiliöllä, terä ei pääse pyörimään esteettä, mikä rasittaa moottoria ja voi vaurioittaa sitä.

Pitkän ruohon leikkaaminen

Älä yritä leikata pitkäksi kasvanutta nurmikkoa kokonaan yhdellä leikkukerralla. Leikkaa sen sijaan nurmikkoa vaiheissa. Jätä päivä tai kaksi leikkukertojen väliin, kunnes nurmikko on tasaisen lyhyt.

► **Kuva41**

HUOMAA: Pitkän ruohon leikkaaminen lyhyeksi yhdellä kerralla voi aiheuttaa ruohon kuoleamisen. Ruoho voi myös tukkia ruohonleikkurin rungon sisäpuolella.

Ruohosäiliön tyhjentäminen

VAROITUS: Onnettomuusriskin pienentämiseksi ruohosäiliön kuntoa tulee valvoa jatkuvasti ja vaurioitunut tai heikentynyt säiliö on tarvittaessa vaihdettava. Vaihda ruohosäiliö tarvittaessa.

1. Vapauta kytkinvipu ja ajovipu.
 2. Irrota lukitusavain.
 3. Avaa takakansi, tartu ruohosäiliön kahvaan ja vedä se irti kahvasta.
- **Kuva42:** 1. Takakansi 2. Kahva 3. Ruohosäiliö
4. Tyhjennä ruohosäiliö.

KUNNOSSAPITO

VAROITUS: Varmista aina ennen ruohonleikkurin varastoimista tai kantamista tai sen tarkastus- tai huoltotoimien aloittamista, että lukitusavain ja kannettava tehoyksikkö on irrotettu ruohonleikkurista.

VAROITUS: Poista aina lukitusavain, kun leikkuri ei ole käytössä. Säilytä lukitusavainta turvallisessa paikassa lasten ulottumattomissa.

VAROITUS: Käytä käsineitä tarkastuksen ja huollon aikana.

VAROITUS: Käytä sivusuojilla varustettuja suojalaseja aina, kun käytät teet tarkastus- tai huoltotoimia.

HUOMAUTUS: Älä koskaan käytä bensiiniä, ohenteita, alkoholia tai tms. aineita. Muutoin pinta voi halkeilla tai sen värit ja muoto voivat muuttua. Muutoin laitteeseen voi tulla värjäytymiä, muodon vääristymiä tai halkeamia.

Tuotteen TURVALLISUUDEN ja LUOTETTAVUUDEN takaamiseksi korjaukset, muut huoltotyöt ja säädöt on teetettävä Makitan valtuutetussa huoltopisteessä Makitan varaosia käyttäen.

Huolto

1. Irrota lukitusavain ja kannettava tehoyksikkö.
2. Käännä ruohonleikkuri kyljelleen siten, että leikkukorkeuden säätövipu tulee yläpuolelle. Puhdista kotelon pohjaan kerääntynyt ruohosilppu.
3. Kaada vettä laitteen pohjaan eli terän kiinnityskohdasta kohti.

HUOMAUTUS: Älä pese laitetta korkeapaineisella vesisuihkulla.

4. Tarkista kaikkien mutterien, pulttien, ruuvien yms. kireys.
5. Tarkista, etteivät liikkuvat osat ole vaurioiden, murtumien tai kulumien varalta. Vaurioituneet tai puuttuvat osat tulee korjata tai vaihtaa.
6. Varastoi ruohonleikkuri turvalliseen paikkaan lasten ulottumattomiin.

HUOMAUTUS: Älä kaada vettä kuvassa näkyvälle alueelle. Veden kaataminen moottoriyksikköön voi johtaa koneen toimintahäiriöön.

► **Kuva43:** 1. Alue, jolle ei saa kaataa vettä

Ruohonleikkurin kantaminen

Ruohonleikkuria tulee kantaa niin, että toinen henkilö pitää kiinni etukahvasta ja toinen takakahvasta kuvan mukaisesti.

► **Kuva44:** 1. Etukahva 2. Takakahva

Säilytys

Säilytä ruohonleikkuria sisätiloissa viileässä, kuivassa ja lukitussa paikassa. Älä säilytä ruohonleikkuria ja laturia paikassa, jossa lämpötila voi nousta 40 °C:een tai sitä korkeammaksi.

Ruohonleikkuuterän irrotus ja asentaminen

VAROITUS: Terä pyörii vielä muutaman sekunnin ajan kytkimen vapauttamisen jälkeen. Älä aloita mitään toimenpidettä, ennen kuin terä on täysin pysähtynyt.

VAROITUS: Irrota lukitusavain ja kannettava tehoyksikkö aina ennen terän irrottamista tai asentamista. Jos lukitusavainta ja kannettavaa tehoyksikköä ei irroteta, seurauksena voi olla vakavia vammoja.

VAROITUS: Käytä aina suojakäsineitä, kun käsittelet terää.

Ruohonleikkurin terän irrottaminen

Suoralla ruohonleikkurin terällä varustetut mallit

1. Käännä ruohonleikkuri kyljelleen siten, että leikkukorkeuden säätövipu tulee yläpuolelle.
2. Voit lukita terän työntämällä tapin ruohonleikkurin rungossa olevaan reikään.
3. Kierrä pulttia vastapäivään koon 17 hylsyavaimella.
► **Kuva45:** 1. Ruohonleikkurin terä 2. Tappi 3. Hylsyavain
4. Irrota pultti ja sitten ruohonleikkurin terä.
► **Kuva46:** 1. Terän tuki 2. Ruohonleikkurin terä 3. Pultti 4. Uloke

HUOMAUTUS: Kun asennat ruohonleikkurin terän, varmista, että terän tuen ulokkeet asettuvat ruohonleikkurin terän reikiin.

Mukautuvilla ruohonleikkurin terillä varustetut mallit

1. Käännä ruohonleikkuri kyljelleen siten, että leikkukorkeuden säätövipu tulee yläpuolelle.
2. Lukitse pohjalevy asettamalla tappi ruohonleikkurin rungossa olevaan reikään pohjalevyssä olevan reiän läpi.
3. Kierrä pulttia vastapäivään koon 17 hylsyavaimella.
► **Kuva47:** 1. Tappi 2. Pohjalevy 3. Hylsyavain
4. Irrota pultti ja sitten pohjalevy.
► **Kuva48:** 1. Terän tuki 2. Pohjalevy 3. Pultti 4. Uloke

HUOMAUTUS: Kun asennat ruohonleikkurin teriä, varmista, että terän tuen ulokkeet asettuvat pohjalevyn reikiin.

5. Irrota yksittäinen ruohonleikkurin terä kääntämällä pulttia vastapäivään koon 17 hylsyavaimella ja pitämällä samalla pohjalevyä paikallaan.

► **Kuva49:** 1. Pohjalevy 2. Ruohonleikkurin terä 3. Hylsyavain

6. Irrota järjestyksessä mutteri, aluslevy, jousialuslevy, ruohonleikkurin terä ja pultti.

► **Kuva50:** 1. Pultinreikä 2. Pultti 3. Ruohonleikkurin terä 4. Jousialuslevy 5. Aluslevy 6. Mutteri

HUOMAUTUS: Kiristä yksittäisten ruoholeikkurin terien mutterit 30 N•m:n kiristysmomenttiin.

HUOMAUTUS: Kun asennat yksittäistä ruohonleikkurin terää, varmista, että jousialuslevy tulee kuvan mukaisesti.

HUOMAUTUS: Kun asennat yksittäistä ruohonleikkurin terää, varmista, että asetat pultit pultinreikiin kuvan mukaisesti.

Ruohonleikkurin terän kiinnittäminen

VAROITUS: Asenna ruohonleikkurin terä huolellisesti. Siinä on ylä-/alapuoli.

VAROITUS: Kiinnitä sitten terä paikalleen kiristämällä pultti tiukasti myötäpäivään kiertäen.

VAROITUS: Varmista, että ruohonleikkurin terä ja kaikki kiinnitysosat on asennettu oikein ja kunnolla kiristetty.

VAROITUS: Kun vaihdat teriä, noudata aina tämän oppaan ohjeita.

HUOMAUTUS: Kun ruohonleikkurin terät on asennettu, poista tappi ruohonleikkurin rungosta.

Ruohonleikkurin terät asennetaan päinvastaisessa järjestyksessä kuin irrotusohjeissa.

VIANMÄÄRITYS

Tarkista kone ensin itse, ennen kuin viet sen korjattavaksi. Jos havaitset ongelman, johon ei löydy ratkaisua ohjeista, älä yritä purkaa konetta. Vie se sen sijaan valtuutettuun Makita-huoltoon. Käytä korjaamiseen aina alkuperäisiä Makita-varaosia.

| Epänormaali tila | Todennäköinen syy (toimintahäiriö) | Korjaus |
|--|--|--|
| Ruohonleikkuri ei käynnisty. | Akkua ei ole asennettu. | Asenna ladattu akku. |
| | Akkuongelma (alijännite) | Lataa akku uudelleen. Jos lataaminen ei auta, vaihda akku. |
| | Lukitusavain ei ole paikallaan. | Laita lukitusavain paikalleen. |
| Moottori pysähtyy lyhyen käytön jälkeen. | Akun varaustila on alhainen. | Lataa akku uudelleen. Jos lataaminen ei auta, vaihda akku. |
| | Leikkuukorkeus on liian alhainen. | Nosta leikkuukorkeutta. |
| | Ruohonleikkuriin on kertynyt leikattua ruohoa. | Poista kertynyt leikattu ruoho ruohonleikkurista. |
| Moottori ei saavuta suurinta kierroslukua. | Akku on asennettu väärin. | Asenna akku tämän käyttöohjeen ohjeiden mukaan. |
| | Akun teho laskee. | Lataa akku uudelleen. Jos lataaminen ei auta, vaihda akku. |
| | Vetojärjestelmä ei toimi oikein. | Pyydä valtuutettua huoltoliikettäsi korjaamaan laite. |
| Ruohonleikkurin terä ei pyöri: ⇒ pysäytä ruohonleikkuri välittömästi! | Vieras esine, esimerkiksi oksa, on juuttunut lähelle terää. | Poista vieras esine. |
| | Vetojärjestelmä ei toimi oikein. | Pyydä valtuutettua huoltoliikettäsi korjaamaan laite. |
| Epänormaali terä: ⇒ pysäytä ruohonleikkuri välittömästi! | Terä on epätasapainossa, liiallisesti tai epätasaisesti kulunut. | Vaihda terä. |

LISÄVARUSTEET

⚠HUOMIO: Seuraavia lisävarusteita tai -laitteita suositellaan käytettäväksi tässä ohjeessa kuvattun Makita-koneen kanssa. Muiden lisävarusteiden tai -laitteiden käyttö voi aiheuttaa henkilövahinkoja. Käytä lisävarusteita ja -laitteita vain niiden käyttötaroituksen mukaisesti.

Jos tarvitset apua tai yksityiskohtaisempia tietoja seuraavista lisävarusteista, ota yhteys paikalliseen Makitan huoltoon.

- Ruohonleikkurin terä
- Aito Makita-akku ja -laturi

HUOMAA: Jotkin luettelossa mainitut varusteet voivat sisältyä laitetoimitukseen vakiovarusteina. Ne voivat vaihdella maittain.

SPECIFIKATIONER

| | | |
|---|---|---------------------------------|
| Model: | | LM001C |
| Klippebredde (diameter af bladet) | | 534 mm |
| Omdrejninger uden belastning | Normal tilstand | 2.800 min ⁻¹ |
| | Blød ingen belastning tilstand | 2.300 - 2.800 min ⁻¹ |
| | Støjreducerende tilstand | 2.300 min ⁻¹ |
| Artikelnummer på reserveblad til plæneklipper | Lige plæneklipperblad | 191D52-7 |
| | Tilbagesvingsplæneklipperblade *1 | 191D50-1 |
| | Tilbagesvingsplæneklipperblade *2 | 191D48-8 |
| Mål (L x B x H) | L: 1.630 mm til 1.715 mm B: 590 mm H: 990 mm til 1.095 mm | |
| Kørehastighed | 2,5 - 5,0 km/h | |
| Mærkespænding | D.C. 36 V - 40 V maks. | |
| Nettovægt | Når der er installeret et lige plæneklipperblad | 42,1 - 48,9 kg |
| | Når der er installeret tilbagesvingsplæneklipperblade | 42,8 - 49,5 kg |
| Beskyttelsesgrad | IPX4 | |

*1. Grundplade og enkelte plæneklipperblade.

- På grund af vores kontinuerlige forsknings- og udviklingsprogrammer kan hosstående specifikationer blive ændret uden varsel.
- Specifikationer kan variere fra land til land.
- Vægten kan være anderledes afhængigt af tilbehøret, inklusive akkuen. Den letteste og tungeste kombination i henhold til EPTA-procedure 01/2014 er vist i tabellen.

*2. Kun enkelte plæneklipperblade.

Anvendelig bærbar strømforsyning

PDC1200 / PDC01

⚠ ADVARSEL: Brug kun de bærbare strømforsyninger, der er angivet ovenfor. Brug af andre bærbare strømforsyninger kan medføre personskaade og/eller brand.

Symboler

Følgende viser de symboler, der muligvis anvendes til udstyret. Sørg for, at du forstår deres betydning før brugen.

| | |
|--|--|
| | Udvis særlig forsigtighed og opmærksomhed. |
| | Læs betjeningsvejledningen. |
| | Fare; pas på kastede genstande. |
| | Afstanden mellem maskinen og omkringstående skal være mindst 15 m. |
| | Anbring aldrig hænder og fødder i nærheden af bladet under plæneklipperen. Bladene fortsætter med at rotere, efter at der slukkes for motoren. |

| | |
|--|--|
| | Fjern låsenøglen, inden De inspicerer, justerer, rengør, servicerer og forlader plæneklipperen eller stiller den til opbevaring. |
| | Elektrisk risiko. Kontakt med vand kan medføre elektrisk stød. |
| | Hæld ikke vand på. |
| | Fastgør ledningen til ledningsholderne. |



Kun for lande inden for EU
På grund af tilstedeværelsen af farlige komponenter i udstyret kan affald af elektrisk og elektronisk udstyr, akkumulatører og batterier have en negativ indvirkning på miljøet og folkesundheden. Bortskaf ikke elektriske og elektroniske apparater eller batterier sammen med husholdningsaffald!
I overensstemmelse med EF-direktiv om affaldshåndtering af elektrisk og elektronisk udstyr og om akkumulatører og batterier og affaldsakkumulatører og -batterier, og i overensstemmelse med national lovgivning, skal brugt elektrisk udstyr, batterier og akkumulatører opbevares separat og leveres til et separat indsamlingssted for kommunalt affald, der er etableret i henhold til bestemmelserne om miljøbeskyttelse. Dette er angivet ved symbolet på den krydsede skraldespand, der er placeret på udstyret.

Tilsigtet anvendelse

Maskinen er beregnet til at slå græs.

Om denne brugervejledning

Udtrykket "batteri" eller "akkuen" in denne brugsanvisning betyder det følgende:

- Bærbar strømforsyning
- Bærbar strømforsyning, hvori akkuer er installeret
- Akku, der er installeret i bærbar strømforsyning

Støj

Det typiske A-vægtede støjniveau bestem i overensstemmelse med EN60335-2-77:

BEMÆRK: Værdierne er blevet målt med plæneklipperen udstyret med det lige plæneklipperblad.

Lydtryksniveau (L_{pA}) : 80,0 dB (A)

Lydeffektniveau (L_{WA}) : 91,2 dB (A)

Usikkerhed (K): 3 dB (A)

Støjniveauet under arbejdet kan overskride 80 dB (A).

BEMÆRK: De(n) angivne støjemissionsværdi(er) er målt i overensstemmelse med en standardtestmetode og kan anvendes til at sammenligne en maskine med en anden.

BEMÆRK: De(n) angivne støjemissionsværdi(er) kan også anvendes i en præliminær eksponeringsvurdering.

⚠ ADVARSEL: Bær høreværn.

⚠ ADVARSEL: Støjemissionen under den faktiske anvendelse af maskinen kan være forskellig fra de(n) angivne værdi(er), afhængigt af den måde hvorpå maskinen anvendes, især den type arbejdsområde der behandles.

⚠ ADVARSEL: Sørg for at identificere de sikkerhedsforskrifter til beskyttelse af operatøren, som er baseret på en vurdering af eksponering under de faktiske brugsforhold (med hensyntagen til alle dele i brugscyklussen, f.eks. de gange, hvor maskinen er slukket, og når den kører i tomgang i tilgift til afbrydertiden).

Vibration

Vibrationens totalværdi (tre-aksial vektorsum) bestemt i overensstemmelse med EN60335-2-77:

BEMÆRK: Værdierne er blevet målt med plæneklipperen udstyret med det lige plæneklipperblad.

Vibrationsemission (a_h): 2,5 m/s² eller mindre
Usikkerhed (K): 1,5 m/s²

BEMÆRK: De(n) angivne totalværdi(er) for vibration er målt i overensstemmelse med en standardtestmetode og kan anvendes til at sammenligne en maskine med en anden.

BEMÆRK: De(n) angivne totalværdi(er) for vibration kan også anvendes i en præliminær eksponeringsvurdering.

⚠ ADVARSEL: Vibrationsemissionen under den faktiske anvendelse af maskinen kan være forskellig fra de(n) angivne værdi(er), afhængigt af den måde hvorpå maskinen anvendes, især den type arbejdsområde der behandles.

⚠ ADVARSEL: Sørg for at identificere de sikkerhedsforskrifter til beskyttelse af operatøren, som er baseret på en vurdering af eksponering under de faktiske brugsforhold (med hensyntagen til alle dele i brugscyklussen, f.eks. de gange, hvor maskinen er slukket, og når den kører i tomgang i tilgift til afbrydertiden).

EF-overensstemmelseserklæring

Kun for lande i Europa

EF-overensstemmelseserklæringen er inkluderet som Bilag A i denne brugsanvisning.

SIKKERHEDSADVARSLER

VIGTIGE SIKKERHEDSFORSKRIFTER

⚠ ADVARSEL: Læs alle sikkerhedsadvarsler og alle sikkerhedsinstruktioner. Hvis nedenstående advarsler og instruktioner ikke overholdes, kan det medføre elektrisk stød, brand og/eller alvorlig personskade.

Gem alle advarsler og instruktioner til fremtidig reference.

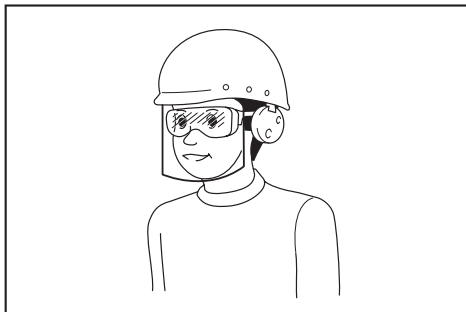
Oplæring

1. Læs instruktionerne omhyggeligt. Vær bekendt med kontrollerne og den korrekte brug af plæneklipperen.
2. Lad aldrig børn eller personer, som ikke er bekendt med disse instruktioner, anvende plæneklipperen. Operatørens alder kan være begrænset af lokale bestemmelser.
3. Anvend aldrig plæneklipperen, hvis der er personer, især børn, eller kæledyr i nærheden.
4. Husk, at operatøren eller brugeren er ansvarlig for ulykker eller farlige situationer, som andre personer eller deres ejendom udsættes for.
5. Børn bør være under opsyn for at sikre, at de ikke leger med plæneklipperen.
6. Fysisk tilstand - anvend ikke plæneklipperen under indflydelse af narkotika, alkohol eller nogen form for medicin.

Forberedelse

1. Under anvendelse af plæneklipperen skal De altid bære solidt fodtøj og lange bukser. Anvend ikke plæneklipperen med bare fødder eller åbne sandaler. Undgå at bære løst tøj eller smykker med løsthængende kæder eller slips. Disse kan sætte sig fast i de bevægelige dele.
2. Inden brug skal du altid visuelt efterse plæneklipperen for beskadigede, manglende eller forkert anbragte beskyttelsesskærme eller afskærmninger.

3. Sørg for, at der ikke er nogen personer i arbejdsområdet, inden arbejdet påbegyndes. Stop plæneklipperen, hvis der kommer nogen ind i området.
4. Sæt ikke låsenøglen i plæneklipperen, før den er klar til brug.
5. Bær altid beskyttelsesbriller for at beskytte dine øjne mod skader, når du bruger maskiner. Beskyttelsesbrillerne skal overholde ANSI Z87.1 i USA, EN 166 i Europa eller AS/NZS 1336 i Australien/New Zealand. I Australien/New Zealand er det desuden påbudt ved lov at bære ansigtsskærm for at beskytte dit ansigt.



Det er arbejdsgiverens ansvar at påbyde brugerne af maskinen samt andre personer i det umiddelbare arbejdsområde at bære passende sikkerhedsbeskyttelsesudstyr.

6. Inspicer omhyggeligt bladene eller boltene til bladene for revner og beskadigelse inden brugen. Revnede eller beskadigede blade eller bolte til bladene skal straks skiftes ud.
7. Fjern fremmedlegemer såsom sten, ståltråd, flasker, ben eller store kæppe fra arbejdsområdet inden klipningen for at undgå personskade og skade på plæneklipperen.
8. Genstande, der rammes af plæneklipperbladet, kan forårsage alvorlig personskade. Plænen bør altid undersøges omhyggeligt, og alle genstande skal fjernes inden hver plæneklipping.
9. Se efter huller, hjulspor, buler, sten eller andre skjulte genstande. Ujævnt terræn kan forårsage et uheld, hvor du glider og falder. Højt græs kan skjule forhindringer.
10. Undlad at indsætte eller fjerne låsenøglen i regnvej.
11. Bær personligt beskyttelsesudstyr. Brug altid beskyttelsesbriller. Beskyttelsesudstyr som f.eks. støvmaske, skridsikre sko, hjelm eller høreværn, der benyttes under de relevante forhold, forebygger personskade.
12. Anvend aldrig plæneklipperen med defekte dæksler eller skjolde eller uden sikkerhedsanordninger, f.eks. deflektor og/eller græskurv, på plads.
13. Undgå at bruge plæneklipperen i dårligt vejr, især hvis der er risiko for lynnedslag.
14. Bær til enhver tid øjebeskyttelse og solide sko, når du betjener plæneklipperen.
15. Anvend kun plæneklipperen i dagslys eller i god kunstig belysning.
16. Vær påpasselig med at starte plæneklipperen i overensstemmelse med instruktionerne og med fødderne på god afstand af bladet (bladene).
17. Pas på personskade på fødder og hænder fra plæneklipperbladene.
18. Sørg altid for, at ventilationsåbningerne holdes fri for rester.
19. Kør plæneklipperen på tværs af skrånninger, aldrig op og ned ad dem. Vær yderst forsigtig, når De skifter retning på skrånninger. Anvend ikke plæneklipperen på meget stejle skrånninger.
20. Vær yderst forsigtig, når De bakker eller trækker plæneklipperen imod Dem selv.
21. Stop bladet (bladene), hvis plæneklipperen skal vippes i transportøjemed, når andre overflader end græs krydses, og når plæneklipperen transporteres til og fra det område, hvor den skal anvendes.
22. Vip ikke plæneklipperen, når De tænder for motoren, undtagen hvis plæneklipperen skal vippes for at starte den. I dette tilfælde må den ikke vippes mere end absolut nødvendigt, og kun den del, der vender væk fra operatøren, må løftes. Sørg altid for, at begge hænder er i betjeningspositionen, før plæneklipperen sættes tilbage på jorden.
23. Anbring ikke hænder og fødder i nærheden af eller under de roterende dele. Hold Dem til enhver tid på god afstand af udlædningsåbningen.
24. Transportér ikke plæneklipperen, mens der er tændt for den.
25. Anvend ikke plæneklipperen i vådt græs.
26. Hold altid godt fast i håndtaget.
27. Tag ikke fat i de blotlagte skæreblade eller skærekanter, når plæneklipperen løftes eller holdes.
28. Hold hænder og fødder på god afstand af de roterende blade. Forsigtig - bladene fortsætter med at dreje rundt, efter at der er slukket for plæneklipperen.
29. Hold straks op med brugen, hvis noget usædvanligt opdages. Sluk for plæneklipperen, og tag låsenøglen ud. Inspicér derefter plæneklipperen.
30. Forsøg aldrig at foretage indstillinger af klippehøjden, mens plæneklipperen er i gang, hvis plæneklipperen har en funktion til justering af klippehøjde.
31. Frigør afbryderarmen, og vent, til bladene er holdt op med at dreje rundt, inden der køres over indkørsler, stier, veje og grusbelagte områder. Fjern ligeledes låsenøglen, hvis De forlader plæneklipperen, rækker ud for at samle noget op eller for at få det af vejen eller af andre årsager, der kan distrahere Dem fra det, som De er i gang med.

Drift

1. Stræk dig ikke for langt. Bevar til enhver tid balancen. Sørg altid for et godt fodfæste på skrånninger. Gå, løb aldrig.
2. Stop plæneklipperen og fjern låsenøglen, og sørg for, at alle bevægelige dele er stoppet helt:
 - når De forlader plæneklipperen,
 - inden rengøring af tilstopninger eller rensning af rende,
 - inden inspektion, rengøring eller arbejde på plæneklipperen,
 - efter et fremmedlegeme er ramt. Inspicér plæneklipperen for beskadigelser, og udfør reparationer, inden du igen starter og anvender plæneklipperen,
 - når plæneklipperen begynder at vibrere unormalt.

23. Hvis plæneklipperen rammer et fremmedlegeme, skal nedenstående trin følges:
 - Stop plæneklipperen, frigør afbrøderarmen, og vent, indtil bladet er standset helt.
 - Fjern låsenøglen og akkuen.
 - Inspicér plæneklipperen grundigt for beskadigelse.
 - Skift bladet ud, hvis det på nogen måde er beskadiget. Reparér enhver skade, inden De igen starter plæneklipperen og fortsætter med at anvende den.
24. Start ikke plæneklipperen, mens De står foran udladningsåbningen.
25. Hvis plæneklipperen begynder at vibrere unormalt (kontrollér straks)
 - inspicér for beskadigelse,
 - udskift eller reparér alle beskadigede dele,
 - kontrollér, om der er løse dele, og stram dem i så fald.
26. Ret aldrig udkastet materiale mod nogen. Undgå udkastning af materiale mod en mur eller forhindring. Materiale kan blive kastet tilbage mod operatøren. Stop bladet når der køres over grusoverflader.
27. Undlad at trække plæneklipperen tilbage medmindre det er absolut nødvendigt. Når du er nødt til at bakke plæneklipperen tilbage fra et hegn eller lignende forhindring, skal du se ned og bagud, før og mens du bevæger dig baglæns.
28. Sluk for motoren, og vent indtil bladet er helt standset, før du fjerner græsfangeren. Vær opmærksom på, at bladene bevæger sig, efter at der er slukket.
29. Vær opmærksom på Deres fodfæste, hvis De bruger maskinen på mudret jord, en våd skræning eller et glat sted.
30. Undlad at arbejde i et dårligt arbejdsmiljø, hvor øget brugertræthed kan forventes.
31. Undlad at bruge maskinen i dårligt vejr, hvor sigtbarheden er nedsat. Ellers kan det medføre, at De falder, eller forkert betjening på grund af dårlig sigtbarhed.
32. Undlad at nedsænke maskinen i en vandpyt.
33. Hvis vådt græs eller snavs sætter sig fast i sugeåbningen (ventilationsvinduet) på grund af regn, skal De fjerne dem.
34. Brug ikke maskinen i snevejr.
35. Hvis det afklippede græs er vådt, vil det sandsynligvis sætte sig fast inde i maskinen. Kontrollér regelmæssigt maskinens tilstand, og fjern fastklæbet græs efter behov.
36. Ved betjening af maskinen skal du være opmærksom på rør og ledninger.

Vedligeholdelse og opbevaring

1. Skift af sikkerhedsårsager slide eller beskadigede dele ud med nye. Anvend kun originale udskiftingsdele og originalt tilbehør.
2. Inspicér og vedligehold plæneklipperen regelmæssigt.
3. Når den ikke er brugt, skal du opbevare plæneklipperen utilgængeligt for børn.
4. Hold alle møtrikker, bolte og skruer stramme for at sikre, at udstyret er i sikker funktionsstand.
5. Inspicér hyppigt græskurven for slitage eller forringelse. Kontrollér altid, at græskurven er tom inden opbevaring. Skift af sikkerhedsgrunde en udtjent græskurv ud med en fabriksny.
6. Anvend kun originale blade fra fabrikanten, som er specificeret i denne brugsanvisning.
7. Vær påpasselig, når plæneklipperen justeres, således at De ikke får fingrene i klemme mellem plæneklipperens roterende blade og de faste dele.
8. Kontrollér med jævne mellemrum bladets befæstelsesbolt for den rigtige stramning.
9. Lad altid plæneklipperen køle af, inden den stilles til opbevaring.
10. Når De servicerer bladene, skal De være opmærksom på, at bladene stadig kan bevæge sig, selv om der er slukket for maskinen.
11. Fjern eller ændr aldrig sikkerhedsanordninger. Kontrollér regelmæssigt at de fungerer ordentligt. Gør aldrig noget som kan interferere med den tilsigtede funktion af en sikkerhedsanordning eller for at reducere beskyttelsen fra en sikkerhedsanordning.
12. Lad ikke maskinen ligge uovervåget uendørs i regnvejr.
13. Undlad at vaske maskinen med højtryksvand.
14. Når De vasker med maskinen, skal De fjerne batteriet og låsenøglen og hælde vand mod bunden af maskinen, hvor bladet er monteret.
15. Undgå direkte sollys og regn ved opbevaring af maskinen, og opbevar den på et sted, hvor det ikke bliver varmt eller fugtigt.
16. Udfør inspektion eller vedligeholdelse på et sted, hvor der er ly for regn.
17. Når maskinen har været i brug, skal De fjerne fastsiddende snavs og tørre maskinen helt, før den opbevares. Afhængigt af årstiden eller området er der risiko for fejlfunktion på grund af frost.

Brug og vedligeholdelse af batteriet

1. Oplad kun med den oplader, som producenten angiver. En oplader, der passer til én type batteri, kan forårsage brand, hvis den anvendes med et andet batteri.
2. Brug kun el-værktøjer sammen med de tilhørende batteripakker. Brug af andre batteripakker kan forårsage personskade og brand.
3. Når batteripakker ikke anvendes, skal de holdes borte fra andre metalgenstande som papirclips, mønter, nøgler, søm, skruer og andre små metalgenstande, der kan skabe forbindelse mellem terminalerne. Hvis batteriets terminaler kortsluttes, kan det forårsage brand.
4. I tilfælde af misbrug kan der sprøjte væske ud fra batteriet. Undgå kontakt. Skyl med vand, hvis De kommer i kontakt med væsken. Søg læge, hvis De får væske i øjet. Væske, der sprøjter ud fra batteriet, kan medføre irritation eller forbrændinger.
5. Undlad at bruge en akku eller maskine, der er beskadiget eller ændret. Beskadigede eller ændrede batterier kan fungere uforudsigeligt og medføre brand, eksplosion eller risiko for personskade.

Vigtige sikkerhedsinstruktioner for akkuen

6. **Undlad at udsætte en akku eller maskine for brand eller høje temperaturer.** Udsættelse for brand eller temperaturer på over 130 °C kan medføre eksplosion.
7. **Følg alle instruktioner vedrørende opladning, og undlad at oplade akkuen eller maskinen uden for det temperaturinterval, der er angivet i instruktionerne.** Opladning, der udføres forkert eller ved temperaturer uden for det angivne temperaturinterval, kan beskadige batteriet og medføre øget risiko for brand.

Elektrisk sikkerhed og batterisikkerhed

1. **Undlad at kaste batterierne i åben ild.** Cellen kan eksplodere. Tjek de lokale regler for eventuelle særlige instruktioner vedrørende bortskaffelse.
2. **Undlad at åbne eller mishandle batterierne.** Lækket elektrolyt er ætsende og kan medføre skader på øjnene eller huden. Den kan være giftig, hvis den indtages.
3. **Undlad at oplade batteriet i regnvejrr eller under våde forhold.**
4. **Oplad ikke batteriet uden døre.**
5. **Håndter ikke oplader, herunder opladerstik, og opladerterminaler med våde hænder.**
6. **Undlad at udskifte batteriet i regnvejrr.**
7. **Undgå at gøre batteriets terminal våd med væsker som f.eks. vand eller at nedsænke batteriet.** Undlad at lade batteriet ligge i regnvejrr eller at oplade, bruge eller opbevare batteriet på et fugtigt eller vådt sted. Hvis terminalen bliver våd, eller der kommer væske ind i batteriet, kan batteriet blive kortslettet, og der er risiko for overophedning, brand eller eksplosion.
8. **Når De har fjernet batteriet fra maskinen eller opladeren, skal De sørge for at montere akku-dækslet på batteriet og opbevare det på et tørt sted.**
9. **Undlad at udskifte batteriet med våde hænder.**
10. **Hvis akkuen bliver våd, skal du tømme vandet ud og derefter tørre den med en tør klud. Tør akkuen helt på et tørt sted før brug.**
11. **Undgå farlige miljøer. Brug ikke maskinen på fugtige eller våde steder, og udsæt den ikke for regn.** Hvis der kommer vand ind i maskinen, øger det risikoen for elektrisk stød.

Service

1. **Få udført service på el-værktøjet hos en autoriseret mekaniker, og brug kun tilsvarende reservedele.** Derved vedligeholdes el-værktøjets sikkerhed.
2. **Udfør aldrig service på beskadigede akkuer.** Service på akkuer må kun udføres af producenten eller af autoriserede reparatører.

GEM DENNE BRUGSANVISNING.

⚠ ADVARSEL: LAD IKKE bekvemmelighed eller kendskab til produktet (opnået gennem gentagen brug) forhindre, at sikkerhedsforskrifterne for produktet nøje overholdes.

MISBRUG eller forsømmelse af at følge de i denne brugsvejledning givne sikkerhedsforskrifter kan føre til, at De kommer alvorligt til skade.

1. **Læs alle instruktioner og advarselmærkater på (1) akku-opladeren, (2) akkuen og (3) produktet, som anvender akku.**
2. **Adskil eller ændr ikke akkuen.** Det kan muligvis resultere i en brand, overdreven varme eller eksplosion.
3. **Hold straks op med anvendelsen, hvis brugstiden er blevet stærkt afkortet.** Fortsat anvendelse kan resultere i risiko for overophedning, forbrændinger og endog eksplosion.
4. **Hvis De har fået elektrolytvæske i øjnene, skal De straks skylle den ud med rent vand og derefter øjeblikkeligt søge lægehjælp. I modsat fald kan De miste synet.**
5. **Vær påpasselig med ikke at komme til at kortslutte akkuen:**
 - (1) Rør ikke ved terminalerne med noget ledende materiale.
 - (2) Undgå at opbevare akkuen i en beholder sammen med andre genstande af metal, for eksempel søm, mønter og lignende.
 - (3) Udsæt ikke akkuen for vand eller regn. Kortslutning af akkuen kan forårsage en kraftig øgning af strømmen, overophedning, mulige forbrændinger og endog værktøjstop.
6. **Opbevar og brug ikke maskinen og akkuen på steder, hvor temperaturen muligvis kan nå eller overstige 50 °C.**
7. **Lad være med at brænde akkuen, selv ikke i tilfælde, hvor den har lidt alvorlig skade eller er fuldstændig udtjent.** Akkuen kan eksplodere, hvis man forsøger at brænde den.
8. **Slå ikke søm i, skær ikke i, knus, kast, tab ikke akkuen og stød ikke akkuen mod en hård genstand.** Sådan adfærd kan muligvis resultere i en brand, overdreven varme eller eksplosion.
9. **Anvend ikke en beskadiget akku.**
10. **De indbyggede litium-ion-batterier er underlagt lovkrav vedrørende farligt gods.** Ved kommerciel transport, f.eks. af tredjeparts transportselskaber, skal særlige krav til forpakning og mærkning overholdes. Ved forberedelse af udstyret til forsendelse skal du kontakte en ekspert i farligt gods. Overhold også eventuel mere detaljeret national lovgivning. Tape eller tildæk åbne kontakter, og pak batteriet på en måde, så det ikke kan flytte sig rundt i pakningen.
11. **Når akkuen bortskaffes, skal du fjerne den fra maskinen og bortskaffe den på et sikkert sted.** Følg de lokale love vedrørende bortskaffelsen af batterier.
12. **Brug kun batterierne med de produkter, som Makita specificerer.** Hvis batterierne installeres i ikke-kompatible produkter, kan det medføre brand, kraftig varme, eksplosion eller udsivning af elektrolyt.
13. **Hvis maskinen ikke skal bruges i længere tid ad gangen, skal du fjerne batteriet fra maskinen.**
14. **Akkuen kan muligvis under og efter brug være varm, hvilket kan forårsage forbrændinger eller lavtemperaturforbrændinger.** Vær påpasselig med håndtering af varme akkuer.

- Rør ikke terminalen på maskinen straks efter brug, da den bliver varm nok til at forårsage forbrændinger.
- Sørg for at spåner, støv eller jord ikke sætter sig fast inde i terminalerne, hullerne og rillerne på akkuen. Det kan muligvis medføre dårlig ydelse eller nedbrud af maskinen eller akkuen.
- Medmindre maskinen understøtter brugen i nærheden af elektriske højspændingsledninger, skal du ikke anvende akkuen i nærheden af elektriske højspændingsledninger. Det kan muligvis medføre funktionsfejl på eller nedbrud af maskinen eller akkuen.

- Opbevar batteriet utilgængeligt for børn.

GEM DENNE BRUGSANVISNING.

⚠️FORSIGTIG: Brug kun originale batterier fra Makita. Brug af uoriginale Makita-batterier, eller batterier som er blevet ændret, kan muligvis medføre brud på batteriet, hvilket kan forårsage brand, personskade eller beskadigelse. Det ugyldiggør også Makita-garantien for Makita-maskinen og opladeren.

Tips til opnåelse af maksimal akku-levetid

- Oplad akkuen, inden den er helt afladet. Stop altid værktøjet, og oplad akkuen, hvis De bemærker, at værktøjeffekten er aftagende.
- Genoplad aldrig en fuldt opladet akku. Overopladning vil afkorte akkuens levetid.
- Oplad akkuen ved stuetemperatur ved 10 °C - 40 °C. Lad altid en varm akku få tid til at køle af, inden den oplades.
- Når du ikke anvender akkuen, skal du fjerne den fra maskinen eller opladeren.
- Oplad akkuen, hvis De ikke skal bruge den i længere tid (mere end seks måneder).

SAMLING

⚠️ADVARSEL: Vær altid sikker på, at låsenøglen og akkuen er fjernet, inden De udfører noget arbejde på plæneklipperen. Hvis De ikke fjerner låsenøglen og akkuen, kan det medføre alvorlig personskade forårsaget af utilsigtet start.

⚠️ADVARSEL: Start aldrig plæneklipperen, medmindre den er fuldstændig samlet. Anvendelse af maskinen i kun delvist samlet tilstand kan medføre alvorlig personskade forårsaget af utilsigtet start.

Montering af håndtaget

BEMÆRKNING: Når der monteres håndtag, skal ledningerne placeres således, at de ikke sætter sig fast i noget mellem håndtagene. Hvis ledningen er beskadiget, fungerer plæneklipperens afbryder muligvis ikke.

- Juster hullerne på det nederste håndtag ind i forhold til hullerne i plæneklipperens karosseri, og stram derefter 4 bolte midlertidigt.

► Fig.1: 1. Nederste håndtag 2. Bolt

- Stram de 4 bolte som var midlertidigt strammet i trin 1 vha. topnøgle 13.

- Juster hullet i det nederste håndtag med hullet i det øverste håndtag, og indsæt derefter bolten indefra, og stram derefter møtrikken udefra med topnøgle 13. Udfør den samme procedure på den anden side.

► Fig.2: 1. Bolt 2. Nederste håndtag 3. Møtrik 4. Hul 5. Øverste håndtag

⚠️FORSIGTIG: Hold godt fast i det øverste håndtag, så det ikke glider ud af hånden på Dem. Ellers kan håndtaget falde og forårsage personskade.

- Fastgør holderne til håndtaget.

Ret fremspringene på holderen ind med hullerne på håndtaget, så fremspringene passer ind i hullerne. Placer ledningerne som vist på illustrationen.

► Fig.3: 1. Ledning 2. Holder

Afmontering af komposteringsproppen

- Åbn bagdækslet.

► Fig.4: 1. Bagdæksel

- Afmonter komposteringsproppen, idet armen holdes nede.

► Fig.5: 1. Arm 2. Komposteringsprop

Montering af græskurven

- Sæt rammen ind i græskurven så langt, som den kan komme.

► Fig.6: 1. Ramme 2. Græskurv

- Sæt den øverste klips på rammen som vist på figuren.

► Fig.7: 1. Klip

- Sæt alle klips på rammen som vist på figuren. Sørg for, at alle klips er forsvarligt fastgjort til rammen.

► Fig.8

Montering eller afmontering af græskurven

Følg nedenstående fremgangsmåde for at montere græskurven.

- Åbn bagdækslet.

► Fig.9: 1. Bagdæksel

- Hold i håndtaget på græskurven og sæt derefter krogen på græskurven på stangen på plæneklipperens karosseri som vist i illustrationen.

► Fig.10: 1. Stang 2. Håndtag 3. Græskurv

For at fjerne græskurven skal du åbne bagdækslet og derefter fjerne græskurven ved at holde i håndtaget.

Montering af komposteringsproppen

- Åbn bagdækslet, og fjern derefter græskurven.

► Fig.11: 1. Bagdæksel 2. Græskurv

- Monter komposteringsproppen, idet armen holdes nede, og slip derefter armen for at låse komposteringsproppen fast.

► Fig.12: 1. Arm 2. Komposteringsprop

Montering af udledningstilbehør

1. Åbn bagdækslet, og fjern derefter græskurven.
► **Fig.13:** 1. Bagdæksel 2. Græskurv
2. Monter komposteringsproppen, idet armen holdes nede, og slip derefter armen for at låse komposteringsproppen fast.
► **Fig.14:** 1. Arm 2. Komposteringsprop
3. Åbn dækslet i højre side, og monter derefter udledningstilbehøret.
Sæt krogene på udledningstilbehøret under stangen på dækslet i højre side.
► **Fig.15:** 1. Dæksel i højre side 2. Udledningstilbehør

FUNKTIONSBESKRIVELSE

Installation eller udtagning af bærbar strømforsyning

⚠FORSIGTIG: Sluk altid for maskinen, før du monterer eller fjerner den bærbar strømforsyning.

⚠FORSIGTIG: Hold godt fast i maskinen og den bærbar strømpakke når den bærbar strømforsyning installeres eller fjernes. Hvis du ikke holder dem fast, kan de glide ud af dine hænder og resultere i skader på maskinen og den bærbar strømforsyning og personskader.

⚠FORSIGTIG: Tjek at den bærbar strømforsyning er sikkert installeret i maskinen. Ellers kan den falde ud af maskinen ved et uheld og forårsage personskade på dig eller personer i nærheden.

⚠FORSIGTIG: Inden brug skal du sikre at ledningen sidder godt fast i ledningsholderen og at stikket er sat helt i kontakten.

For PDC1200

1. Placer ledningen på den bærbar strømforsyning som vist på figuren.
► **Fig.16:** 1. Bærbar strømforsyning 2. Ledning
2. Installer den bærbar strømforsyning i maskinen som vist på figuren.
► **Fig.17:** 1. Batteri støttehåndtag 2. Bærbar strømforsyning 3. Låseknop

⚠FORSIGTIG: Tjek at den bærbar strømforsyning er låst fast til batteri støttehåndtagene og at låseknappen er låst fast.

3. Du skal fastgøre ledningen til ledningsholderne som vist på figuren. Åbn dækslet til stikket, ret pilen på stikket i samme retning som den på maskinen og sæt så stikket helt ind i kontakten.
► **Fig.18:** 1. Dæksel til stikket 2. Pilemærke 3. Stikkontakt 4. Ledning

BEMÆRKNING: Man må ikke tvinge stikket i kontakten. Hvis stikket ikke nemt kan sættes i, sættes det ikke rigtigt i.

BEMÆRKNING: Når stikket tages ud af kontakten, må der ikke trækkes i ledningen, kun i selve stikket. Ellers kan ledningen blive beskadiget og forårsage funktionsfejl på maskinen.

4. Åbn dækslet til låsenøglen, sæt låsenøglen i som vist på figuren så langt, som den kan komme og luk så dækslet til låsenøglen igen.

► **Fig.19:** 1. Låsenøgle 2. Dæksel til låsenøgle

Følg monteringsproceduren i omvendt rækkefølge for at fjerne den bærbar strømforsyning.

For PDC01

BEMÆRK: Inden den bærbar strømforsyning sættes i maskinen, skal der installeres mindst et batteri i batteriport 1 eller 2, og mindst et batteri i batteriport 3 eller 4.

1. Placer ledningen på den bærbar strømforsyning som vist på figuren.
► **Fig.20:** 1. Bærbar strømforsyning 2. Ledning
2. Installer den bærbar strømforsyning i maskinen som vist på figuren. Lås låsearmene på begge sider af den bærbar strømforsyning.
► **Fig.21:** 1. Batteri støttehåndtag 2. Låsearm 3. Bærbar strømforsyning

⚠FORSIGTIG: Tjek at den bærbar strømforsyning er låst fast til batteri støttehåndtagene og at låseknapperne er låst fast.

3. Du skal fastgøre ledningen til ledningsholderne som vist på figuren. Åbn dækslet til stikket, ret pilen på stikket i samme retning som den på maskinen og sæt så stikket helt ind i kontakten.
► **Fig.22:** 1. Dæksel til stikket 2. Pilemærke 3. Stikkontakt 4. Ledning

BEMÆRKNING: Man må ikke tvinge stikket i kontakten. Hvis stikket ikke nemt kan sættes i, sættes det ikke rigtigt i.

BEMÆRKNING: Når stikket tages ud af kontakten, må der ikke trækkes i ledningen, kun i selve stikket. Ellers kan ledningen blive beskadiget og forårsage funktionsfejl på maskinen.

4. Åbn dækslet til låsenøglen, sæt låsenøglen i som vist på figuren så langt, som den kan komme og luk så dækslet til låsenøglen igen.
► **Fig.23:** 1. Låsenøgle 2. Dæksel til låsenøgle

Følg monteringsproceduren i omvendt rækkefølge for at fjerne den bærbar strømforsyning.

Beskyttelsessystem til maskinen/batteriet

Maskinen er udstyret med et beskyttelsessystem til maskinen/batteriet. Dette system afbryder automatisk strømmen til motoren for at forlænge maskinens og batteriets levetid. Maskinen stopper automatisk under brugen, hvis maskinen eller batteriet udsættes for et af følgende forhold:

Overbelastningsbeskyttelse

Hvis batteriet anvendes på en måde, der bevirker, at det forbruger en unormal mængde strøm, vil maskinen automatisk stoppe, og hovedstrømlampen blinker grønt. Sluk i så fald for maskinen, og stop den anvendelse, der medførte, at maskinen blev overbelastet. Tænd derefter for maskinen for at starte den igen.

Beskyttelse mod overophedning

Hvis maskinen eller batteriet er overophedet, stopper maskinen automatisk, og hovedstrømlampen lyser rødt. Lad i så fald maskinen og batteriet køle af, før der tændes for maskinen igen.

Beskyttelse mod overafledning

Hvis batteriladningen er for lav, stopper maskinen automatisk, og hovedstrømlampen blinker rødt og indikatorlampen lyser. Fjern i så fald batteriet fra maskinen, og lad batteriet op, eller udskift batteriet med ét, der er fuldt opladet.

Kontrolpanel

Kontrolpanelet har en hovedafbryder og knap til tilstandsvalg.

- **Fig.24:** 1. Blød ingen belastning tilstandslampe
2. Støjreducerende tilstandslampe 3. Knap til tilstandsvalg 4. Hovedstrømlampe
5. Hovedafbryder

Hovedafbryder

⚠ ADVARSEL: Sluk altid for hovedafbryderen, når maskinen ikke bruges.

Tryk på hovedafbryderen for at tænde for maskinen. Hovedstrømlampen lyser grønt. Tryk på hovedafbryderen igen for at slukke for maskinen.

BEMÆRK: Hvis hovedstrømlampen lyser rødt, eller den blinker rødt eller grønt, skal du se i instruktionerne til beskyttelsessystemet til maskinen/batteriet.

BEMÆRK: Denne maskine har en funktion til automatisk slukning. For at undgå utilsigtet start slukker hovedafbryderen automatisk, når der ikke trykkes på afbryderarmen og drevarmen (hvis udstyret dermed) i en vis periode, efter at der tændes for hovedafbryderen.

Knap til tilstandsvalg

De kan skifte driftstilstand ved at trykke på knappen til tilstandsvalg. Når der tændes for maskinen, starter maskinen i normal tilstand.

Når der trykkes på knappen til tilstandsvalg, skifter maskinen til blød ingen belastning tilstand, og den bløde ingen belastning tilstandslampe lyser grønt. I den bløde ingen belastning tilstand, kan du minimere start-chokket.






Når du trykker på knappen til tilstandsvalg igen, skifter maskinen til den støjreducerende tilstand, og lampen til støjreducerende tilstand lyser grønt. I den støjreducerende tilstand kan du reducere støjen under græsslåning.

Når der trykkes på knappen til tilstandsvalg igen, skifter maskinen til normal tilstand.

Indikation af den resterende batteriladning

Indikatorlampen blinker eller lyser, når den resterende batteriladning bliver lav.

► **Fig.25:** 1. Indikatorlampe

| Indikatorlampe | | | Resterende ladning |
|---|---|---|----------------------|
| Slukket | Blinker | Tændt | |
|  |  |  | 20% til 100% |
| |  | | 0% til 20% |
| | |  | Genopladd batteriet. |

BEMÆRK: Indikatorlamperne for den resterende batterikapacitet er kun til reference. Den faktiske batterikapacitet kan variere afhængigt af forholdsene.

BEMÆRK: Indikatorlampens display opdateres, når maskinen standser.

Afbryderbetjening

⚠ ADVARSEL: Inden den bærbare strømforsyning installeres, skal De altid kontrollere, at afbryderarmen fungerer, som den skal, og returnerer til udgangsstillingen, når den slippes. Anvendelse af maskinen med en afbryder, der ikke fungerer korrekt, kan føre til, at man mister herredømmet over maskinen med alvorlig personskaade som følge.

BEMÆRK: Plæneklipperen starter ikke, uden at De trykker på afbryderknappen, selv hvis afbryderarmen trækkes.

BEMÆRK: Plæneklipperen starter muligvis ikke pga. overbelastning, hvis De forsøger at slå højt eller tæt græs samtidig. Forøg i så fald klippehøjden.

Denne plæneklipper er udstyret med låsenøglen og håndtagsknappen. Hvis du bemærker noget usædvanligt med enten låsenøglen eller afbryderen, skal du straks stoppe anvendelsen og få dem efterset hos nærmeste autoriserede Makita Servicecenter.

1. Installer den bærbare strømforsyning og sæt så låsenøglen i.
2. Tryk på tænd/sluk-knappen på den bærbare strømforsyning. Hovedstrømlampen vil lyse.

For PDC1200

► **Fig.26:** 1. Afbryderknap 2. Hovedstrømlampe

For PDC01

► **Fig.27:** 1. Afbryderknap 2. Hovedstrømlampe

3. Tryk på hovedafbryderen.
 4. Træk afbryderarmen ind mod dig, mens du holder ned på afbryderknappen. Frigør afbryderknappen, så snart motoren begynder at køre.
- **Fig.28:** 1. Afbryderknap 2. Afbryderarm

BEMÆRK: Hvis låsenøglen ikke er indsat, blinker strømlampen grønt, når De trækker i afbryderarmen.

5. Skub drevarmen fremad, idet der trykkes på afbryderarmen, og hold den for at dreje baghjulene.

► **Fig.29:** 1. Drevarm

BEMÆRK: Du kan dreje baghjulene ved at skubbe drevarmen fremad og holde den uden at trække i afbryderarmen.

6. Slip drevarmen og afbryderarmen for at stoppe maskinen.

Indstilling af klippehøjden

⚠ ADVARSEL: Stik aldrig en hånd eller et ben ind under plæneklipperen, når De indstiller klippehøjden.

⚠ ADVARSEL: Sørg altid for, at armen passer ordentligt ind i rillen inden brugen.

Klippehøjden kan indstilles inden for et interval mellem 20 mm og 100 mm.

Fjern låsenøglen, og træk derefter justeringsarmen til klippehøjde udad på plæneklipperens karosseri, og flyt den til den ønskede klippehøjde.

► **Fig.30:** 1. Justeringsarm til klippehøjde

Tabellen nedenfor viser forholdet mellem nummeret på plæneklipperens karosseri og den omtrentlige klippehøjde.

| Nummer | Klippehøjde |
|--------|-------------|
| 1 | 20 mm |
| 2 | 26 mm |
| 3 | 32 mm |
| 4 | 39 mm |
| 5 | 47 mm |
| 6 | 55 mm |
| 7 | 63 mm |
| 8 | 74 mm |
| 9 | 86 mm |
| 10 | 100 mm |

Hold det forreste greb eller det nederste håndtag med den ene hånd, og flyt derefter justeringsarmen til klippehøjde med den anden hånd.

► **Fig.31:** 1. Justeringsarm til klippehøjde 2. Nederste håndtag 3. Forreste greb

BEMÆRK: Tallene for klippehøjde må kun bruges som retningslinje. Afhængigt af brugsforholdene på plænen eller jorden kan den faktiske græshøjde afvige en smule i forhold til den indstillede højde.

BEMÆRK: Udfør en testklipping på et mindre iøjnefaldende sted for at opnå den ønskede højde.

Græsniveauindikator

Græsniveauindikatoren viser mængden af det klippede græs. Når græskurven ikke er fuld, vil indikatoren bevæge sig, mens bladene kører.

► **Fig.32:** 1. Græsniveauindikator

Når græskurven næsten er fuld, bevæger indikatoren sig ikke, mens bladene kører. Hold i dette tilfælde straks op med anvendelsen og tøm kurven.

► **Fig.33:** 1. Græsniveauindikator

BEMÆRK: Denne indikator er en omtrentlig retningslinje. Det er ikke sikkert, at indikatoren fungerer korrekt, det afhænger af forholdene i kurven.

Indstilling af håndtagets højde

⚠ FORSIGTIG: Hold godt fast i det øverste håndtag, før boltene fjernes. Ellers kan håndtaget falde og forårsage personskade.

Højden af håndtaget kan indstilles til to niveauer.

1. Fjern de øverste bolte på det nederste håndtag vha. topnøgle 13, og løsn derefter de nederste bolte.

► **Fig.34:** 1. Øverste bolt 2. Nederste bolt

2. Juster håndtagshøjden og tilspænd derefter de øverste og nederste bolte.

Justering af kørehastigheden

► **Fig.35:** 1. Hastighedsarm

Kørehastigheden kan justeres med hastighedsarmen.

For at sænke hastigheden skal du trække armen ind mod dig selv, og for at forøge hastigheden skal du dreje armen fremad.

Brug af komposteringsproppen

Med komposteringsproppen kan du returnere det afklippede græs til jorden uden at samle det afklippede græs i græskurven. Når du bruger maskinen sammen med komposteringsproppen, skal du sørge for at fjerne græskurven.

BEMÆRKNING: Når maskinen anvendes med komposteringsproppen, skal du sørge for, at den samlede længde af græs efter klipping er 30 mm eller mere, og at klippelængden er 15 mm eller mindre.

► **Fig.36:** (1) 30 mm eller mere (2) 15 mm eller mindre

Brug af udledningstilbehør

Med udledningstilbehøret kan De udlede det afklippede græs til jorden fra højre side af maskinen uden at samle det afklippede græs i græskurven. Når du bruger maskinen sammen med udledningstilbehøret, skal du sørge for at montere komposteringsproppen og fjerne græskurven.

Elektronisk funktion

Maskinen er udstyret med elektroniske funktioner for nem betjening.

- Konstant hastighedskontrol for bladrotation
Elektronisk hastighedskontrol til at sikre konstant hastighed. Det er muligt at få en pæn finish, fordi omdrejningshastigheden holdes konstant selv under belastning.
- Blød start ved kørsel
Funktionen til blød start minimerer stødet ved start og får maskinen til at starte blødt.
- Elektrisk bremse
Denne maskine er udstyret med en elektrisk bremse. Hvis maskinen konsekvent undlader at stoppe plæneklipperbladene hurtigt, efter afbryderarmen er sluppet, skal maskinen efterses hos et autoriseret Makita-servicecenter.

ANVENDELSE

Klipning

⚠ ADVARSEL: Fjern grene og sten fra klippingsområdet inden klippingen. Fjern også på forhånd alt ukrudt fra klippingsområdet.

⚠ ADVARSEL: Bær altid beskyttelsesbriller eller sikkerhedsbriller med sideafskærmning, når De anvender plæneklipperen.

⚠ FORSIGTIG: Hvis afklippet græs eller et fremmedlegeme sætter sig fast inde i maskinens kabinet, skal De sørge for at fjerne låsenøglen og akkuen og bære handsker, før De fjerner græsset eller fremmedlegemet.

BEMÆRKNING: Brug kun denne maskine til at slå græs. Undlad at klippe ukrudt med maskinen.

► Fig.37

Hold godt fast i håndtaget med begge hænder, når De klipper græs. Retningslinjen for græsklippingshastighed er cirka 7 til 14 meter for hver 10 sekunder.

► Fig.38

Centerstregerne på forhjulene er retningslinjer for klippebredden. Klip i striber, idet centerstregerne bruges som retningslinjer. Overlap med halvdelen til en tredjedel af den forrige stribe for at klippe plænen jævnt.

► **Fig.39:** 1. Klippingsbredde 2. Overlappende område 3. Centerstreg

Skift klippingsretning hver gang for at forhindre, at græsmønsteret kun dannes i én retning.

► Fig.40

Kontrollér regelmæssigt græskurven for bortklippet græs. Tøm græskurven, før den bliver fuld. Inden hver periodisk kontrol skal De sørge for at stoppe plæneklipperen og derefter fjerne låsenøglen og stikkontakten til den bærbare strømforsyning.

BEMÆRKNING: Hvis plæneklipperen anvendes med græskurven fuld, kan der ikke opnås problemfri rotation af bladet, og motoren udsættes for ekstra belastning, hvilket kan føre til sammenbrud.

Klipning af en plæne med højt græs

Forsøg ikke at slå langt græs på én gang. Slå i stedet græsset i trin. Lad der gå en dag eller to mellem klippingerne, indtil plænen er ensartet kort.

► Fig.41

BEMÆRK: Klipping af højt græs til en kort længde i en enkelt arbejdsgang kan bevirke, at græsset dør. Det afklippede græs kan også blokere plæneklipperens indvendige dele.

Tømning af græskurven

⚠ ADVARSEL: For at reducere risikoen for ulykker skal De med jævne mellemrum efterse græskurven for beskadigelse eller forringet styrke. Udskift om nødvendigt græskurven.

1. Slip afbryderarmen og drevarmen.
2. Fjern låsenøglen.
3. Åbn bagdækslet, og tag græskurven ud ved at holde i håndtaget.
► **Fig.42:** 1. Bagdæksel 2. Håndtag 3. Græskurv
4. Tøm græskurven.

VEDLIGEHOLDELSE

⚠ ADVARSEL: Sørg altid for, at låsenøglen og den bærbare strømforsyning er fjernet fra plæneklipperen, inden den stilles til opbevaring, eller De bærer plæneklipperen, eller inden De foretager inspektion eller vedligeholdelse.

⚠ ADVARSEL: Fjern altid låsenøglen, når plæneklipperen ikke er i brug. Opbevar låsenøglen på et sikkert sted, hvor børn ikke kan få fat i den.

⚠ ADVARSEL: Bær altid handsker under udførelse af inspektion eller vedligeholdelse.

⚠ ADVARSEL: Bær altid beskyttelsesbriller eller sikkerhedsbriller med sideafskærmning, før De foretager inspektion eller vedligeholdelse.

BEMÆRKNING: Anvend aldrig benzin, rensebenzin, fortynder, alkohol og lignende. Det kan medføre misfarvning, deformation eller revner.

For at opretholde produktets SIKKERHED og PÅLIDELIGHED må reparation, vedligeholdelse eller justering kun udføres af et autoriseret Makita servicecenter eller fabrikksservicecenter med anvendelse af Makita reservedele.

Vedligeholdelse

1. Fjern låsenøglen og den bærbare strømforsyning.
2. Læg plæneklipperen på siden, så justeringsarmen til klippehøjden er på oversiden. Fjern græsaftklip, der har samlet sig på undersiden af klippeskiven.
3. Hæld vand mod bunden af maskinen, hvor bladet er fastgjort.

BEMÆRKNING: Undlad at vaske maskinen med højtryksvand.

4. Kontrollér, at alle møtrikker, bolte, skruer osv. er strammet.
5. Inspicér de bevægelige dele for beskadigelse, brud og slitage. Beskadigede eller manglende dele skal repareres eller udskiftes.
6. Opbevar plæneklipperen på et sikkert sted, der er utilgængeligt for børn.

BEMÆRKNING: Hæld ikke vand på området vist i illustrationen. Hældes der vand på motoren-heden, kan det muligvis medføre en funktionsfejl på maskinen.

- **Fig.43:** 1. Område, hvor der ikke må hældes vand på

Sådan bæres plæneklipperen

Når plæneklipperen bæres, skal to personer holde i det forreste greb og bagerste greb som vist i illustrationen.

- **Fig.44:** 1. Forreste greb 2. Bageste greb

Opbevaring

Opbevar plæneklipperen indendørs på et køligt, tørt og aflåst sted. Opbevar ikke plæneklipperen og opladeren på steder, hvor temperaturen kan komme op på eller overstige 40 °C.

Afmontering eller montering af plæneklipperbladet

⚠ ADVARSEL: Bladet drejer rundt i et par sekunder, efter at afbryderen er frigjort. Undlad at starte nogen betjening, før bladet er standset helt.

⚠ ADVARSEL: Fjern altid låsenøglen og den bærbare strømforsyning, når bladet afmonteres eller monteres. Forsømmelse af at fjerne låsenøglen og den bærbare strømforsyning kan medføre alvorlig personskade.

⚠ ADVARSEL: Brug altid handsker, når De håndterer bladet.

Fjernelse af plæneklipperbladet

For modeller udstyret med lige plæneklipperblad

1. Læg plæneklipperen på siden, så justeringsarmen til klippehøjden er på oversiden.
2. For at låse bladet sættes en stift ind i et hul på plæneklipperens karosseri.
3. Drej boltene i retningen mod uret med topnøgle 17.
► **Fig.45:** 1. Plæneklipperblad 2. Stift 3. Topnøgle
4. Fjern boltene og derefter plæneklipperbladet.
► **Fig.46:** 1. Bladunderstøttelse 2. Plæneklipperblad 3. Bolt 4. Fremspringende del

BEMÆRKNING: Når du monterer plæneklipperbladet, skal du sørge for, at fremspringende dele på bladunderstøttelsen passer ind i hullerne i plæneklipperbladet.

For modeller udstyret med tilbagesvingningsplæneklipperblade

1. Læg plæneklipperen på siden, så justeringsarmen til klippehøjden er på oversiden.
2. For at låse grundpladen sættes en stift ind i et hul på plæneklipperens karosseri gennem et hul på grundpladen.
► **Fig.47:** 1. Stift 2. Grundplade 3. Topnøgle
3. Drej boltene i retningen mod uret med topnøgle 17.
► **Fig.48:** 1. Bladunderstøttelse 2. Grundplade 3. Bolt 4. Fremspringende del
4. Fjern boltene og derefter grundpladen.
► **Fig.48:** 1. Bladunderstøttelse 2. Grundplade 3. Bolt 4. Fremspringende del

BEMÆRKNING: Når du monterer plæneklipperbladene, skal du sørge for, at fremspringene på bladunderstøttelsen passer ind i hullerne i grundpladen.

5. Drej boltene mod urets retning vha. topnøgle 17, idet grundpladen holdes nede, for at fjerne det enkelte plæneklipperblad.
► **Fig.49:** 1. Grundplade 2. Plæneklipperblad 3. Topnøgle
6. Fjern møtrikken, spændeskiven, fjederskiven, plæneklipperbladet og boltene i rækkefølge.
► **Fig.50:** 1. Bolthul 2. Bolt 3. Plæneklipperblad 4. Fjederskive 5. Spændeskive 6. Møtrik

BEMÆRKNING: Når du strammer møtrikkerne for at montere enkelte plæneklipperblade, skal du anvende 30 N•m som tilspændingsmoment.

BEMÆRKNING: Når du monterer det enkelte plæneklipperblad, skal du sørge for at fastgøre fjederskiven i retningen som vist på figuren.

BEMÆRKNING: Når du monterer det enkelte plæneklipperblad, skal du sørge for at sætte boltene ind i bolthullerne som vist på figuren.

Montering af plæneklipperbladet

⚠ ADVARSEL: Monter plæneklipperbladet med forsigtighed. Det har en øverste og nederste flade.

⚠ ADVARSEL: Stram boltene godt til i retningen med uret for at fastgøre bladet.

⚠ ADVARSEL: Sørg for, at plæneklipperbladet og alle fastgøringsdelene er monteret korrekt og strammet godt til.

⚠ ADVARSEL: Følg altid instruktionerne i denne brugsanvisning, når De udskifter bladene.

BEMÆRKNING: Efter montering af plæneklipperbladene skal du fjerne stiftene fra plæneklipperens karosseri.

For at montere plæneklipperbladene skal du udføre proceduren for afmontering i modsat rækkefølge.

FEJLFINDING

Udfør selv en inspektion, inden De anmoder om reparation. Hvis du opdager et problem, som ikke er forklaret i brugsanvisningen, må du ikke forsøge at skille maskinen ad. Rådfør Dem i stedet med et autoriseret Makita Servicecenter, og brug altid originale Makita udskiftningsdele til reparationer.

| Unormal tilstand | Sandsynlig årsag (fej)l | Afhjælpning |
|--|--|---|
| Plæneklipperen starter ikke. | Batteri er ikke indsat. | Indsæt opladet batteri. |
| | Akku-problem (underspænding) | Genoplad batteriet. Udskift batteriet, hvis genoplading ikke er effektiv. |
| | Låsenøglen er ikke sat i. | Sæt låsenøglen i. |
| Motoren stopper efter kort tids brug. | Akkuens ladeniveau er lavt. | Genoplad batteriet. Udskift batteriet, hvis genoplading ikke er effektiv. |
| | Klippehøjden er for lav. | Forøg klippehøjden. |
| | Afskåret græs er tilstoppet i plæneklipperen. | Fjern det tilstoppede græs fra plæneklipperen. |
| Maks. antal omdrejninger pr. minut (RPM) nås ikke. | Batteriet er indsat forkert. | Indsæt batteriet som beskrevet i denne brugervejledning. |
| | Akkuens effekt mindskes. | Genoplad batteriet. Udskift batteriet, hvis genoplading ikke er effektiv. |
| | Drivsystemet fungerer ikke korrekt. | Få et lokalt, autoriseret servicecenter til at reparere det. |
| Plæneklipperbladet roterer ikke: ⇒ Stop øjeblikkeligt plæneklipperen! | Et fremmedlegeme, f.eks. en gren, har sat sig fast i nærheden af bladet. | Fjern fremmedlegemet. |
| | Drivsystemet fungerer ikke korrekt. | Få et lokalt, autoriseret servicecenter til at reparere det. |
| Unormal vibration: ⇒ Stop øjeblikkeligt plæneklipperen! | Bladet er ubalanceret, ekstremt eller uensartet slidt. | Skift bladet ud med et nyt. |

EKSTRAUDSTYR

⚠ FORSIGTIG: Dette tilbehør og ekstraudstyr er anbefalet til brug med din Makita-maskine, der er beskrevet i denne brugsanvisning. Brug af andet ekstraudstyr eller tilbehør kan medføre risiko for personskade. Brug kun ekstraudstyr eller tilbehør til det formål, det er beregnet til.

Hvis De behøver hjælp ved valg af tilbehør eller ønsker yderligere informationer, bedes De kontakte Deres lokale Makita servicecenter.

- Plæneklipperblad
- Original Makita akku og oplader

BEMÆRK: Nogle ting på denne liste kan være inkluderet i produktpakken som standardtilbehør. De kan være forskellige fra land til land.

SPECIFIKĀCIJAS

| Modelis: | | LM001C |
|---|---|-------------------------------|
| Pļaušanas platums (asmens diametrs) | | 534 mm |
| Ātrums bez slodzes | Standarta režīms | 2 800 min ⁻¹ |
| | Laidena darbība bez slodzes | 2 300–2 800 min ⁻¹ |
| | Trokšņa samazināšanas režīms | 2 300 min ⁻¹ |
| Pļaujmašīnas asmens rezerves daļas numurs | Taisns pļaujmašīnas asmens | 191D52-7 |
| | Atliektie pļaujmašīnas asmeņi *1 | 191D50-1 |
| | Atliektie pļaujmašīnas asmeņi *2 | 191D48-8 |
| Izmēri (G × P × A) | G: 1 630–1 715 mm P: 590 mm A: 990–1 095 mm | |
| Pārvietošanās ātrums | | 2,5–5,0 km/h |
| Nominālais spriegums | | Līdzstrāva 36 V–40 V maks. |
| Neto svars | Ja uzstādīts taisnais pļaujmašīnas asmens | 42,1 - 48,9 kg |
| | Ja uzstādīti atliektie pļaujmašīnas asmeņi | 42,8–49,5 kg |
| Aizsardzības pakāpe | | IPX4 |

*1. Pamatnes plāksne un atsevišķie pļaujmašīnas asmeņi.

- Nepārtrauktās izpētes un izstrādes programmas dēļ šeit uzrādītās specifikācijas var tikt mainītas bez brīdinājuma.
- Atkarībā no valsts specifikācijas var atšķirties.
- Svars var būt atšķirīgs atkarībā no papildierīces (–ēm), tostarp akumulatora kasetnes. Tabulā ir attēlota vieglākā un smagākā kombinācija atbilstoši EPTA procedūrai 01/2014.

*2. Tikai atsevišķie pļaujmašīnas asmeņi.

Pievienojams pārnēsājams barošanas bloks

PDC1200/PDC01

BRĪDINĀJUMS: Izmantojiet tikai iepriekš norādītos pārnēsājamos barošanas blokus. Citu pārnēsājamo barošanas bloku izmantošana var radīt traumu un/vai aizdegšanās risku.

Simboli

Tālāk ir attēloti simboli, kas var attiekties uz darbarīka lietošanu. Pirms darbarīka izmantošanas pārliecinieties, vai pareizi izprotat to nozīmi.

| | |
|--|--|
| | Esiet īpaši rūpīgs un uzmanīgs. |
| | Izlasiet lietošanas rokasgrāmatu. |
| | Bīstami! Sargieties no izvīstiem priekšmetiem. |
| | Attālumam starp darbarīku un apkārtējiem jābūt vismaz 15 m. |
| | Netuviniet rokas un kājas asmeņiem zem pļaujmašīnas. Asmeņi turpina griezties arī pēc motora izslēgšanas. |
| | Pirms pļaujmašīnas pārbaudes, regulēšanas, tīrīšanas, apkopes, atstāšanas bez uzraudzības un uzglabāšanas izņemiet bloķēšanas atslēgu. |



Ar elektrību saistīts risks. Saskare ar ūdeni var izraisīt elektriskās strāvas triecienu.



Neļiejiet virsū ūdeni.



Piestipriniet vadu pie kabēļa turētājiem.



Tikai ES valstīm
Tā kā šajā aprīkojumā ir bīstamas sastāvdaļas, elektrisko un elektronisko iekārtu, akumulatoru un bateriju atkritumi var negatīvi ietekmēt apkārtējo vidi un cilvēka veselību.

Elektroierīces, elektroniskās ierīces un akumulatorus nedrīkst izmest kopā ar mājsaimeniecības atkritumiem!
Saskaņā ar Eiropas direktīvu par elektrisko un elektronisko iekārtu atkritumiem, akumulatoriem un baterijām, kā arī akumulatoru un bateriju atkritumiem un šīs direktīvas pielāgošanu valsts tiesību aktiem elektrisko un elektronisko iekārtu, bateriju un akumulatoru atkritumi ir jāglabā atsevišķi un jānogādā uz sadzīves atkritumu dalītās savākšanas vietu, ievērojot attiecīgos vides aizsardzības noteikumus.
Par to liecina uz iekārtas redzams simbols ar pārsvītrotu atkritumu konteineru uz rītniem.

Paredzētā lietošana

Šī mašīna ir paredzēta zāles pļaušanai.

Informācija par šo rokasgrāmatu

Termini "akumulators" vai "akumulatora kasetne" šajā lietošanas instrukcijā attiecas uz tālāk norādīto.

- Pārnēsājams barošanas bloks
- Pārnēsājams barošanas bloks, kurā ievietotas akumulatora kasetnes
- Akumulatora kasetne, kas ir uzstādīta pārnēsājamā barošanas blokā

Trokšņa līmenis

Tipiskais A svērtais trokšņa līmenis noteikts saskaņā ar EN60335-2-77:

PIEZĪME: Rezultāti iegūti, veicot mērījumus plaujmašīnai ar uzstādītu taisnu plaujmašīnas asmeni.

Skaņas spiediena līmeni (L_{pA}): 80,0 dB (A)

Skaņas jaudas līmeni (L_{WA}): 91,2 dB (A)

Mainīgums (K): 3 dB (A)

Darbības laikā trokšņa līmenis var pārsniegt 80 dB (A).

PIEZĪME: Paziņotā trokšņa emisijas vērtība noteikta atbilstoši standarta pārbaudes metodei, un to var izmantot, lai salīdzinātu vienu darbarīku ar citu.

PIEZĪME: Paziņoto trokšņa emisijas vērtību arī var izmantot iedarbības sākotnējā novērtējumā.

▲BRĪDINĀJUMS: Lietojiet ausu aizsargus.

▲BRĪDINĀJUMS: Trokšņa emisija patiesos darba apstākļos var atšķirties no paziņotās vērtības atkarībā no darbarīka izmantošanas veida un jo īpaši atkarībā no apstrādājamā materiāla veida.

▲BRĪDINĀJUMS: Lai aizsargātu lietotāju, nosakiet drošības pasākumus, kas pamatoti ar iedarbību reālos darba apstākļos (ņemot vērā visus ekspluatācijas cikla posmus, piemēram, laiku, kamēr darbarīks ir izslēgts un kad darbojas tukšgaitā, kā arī palaides laiku).

Vibrācija

Vibrācijas kopējā vērtība (trīsasu vektora summa) noteikta atbilstoši EN60335-2-77:

PIEZĪME: Rezultāti iegūti, veicot mērījumus plaujmašīnai ar uzstādītu taisnu plaujmašīnas asmeni.

Vibrācijas izmete (a_{h1}): 2,5 m/s² vai mazāk

Mainīgums (K): 1,5 m/s²

PIEZĪME: Paziņotā kopējā vibrācijas vērtība noteikta atbilstoši standarta pārbaudes metodei, un to var izmantot, lai salīdzinātu vienu darbarīku ar citu.

PIEZĪME: Paziņoto kopējo vibrācijas vērtību arī var izmantot iedarbības sākotnējā novērtējumā.

▲BRĪDINĀJUMS: Vibrācijas emisija patiesos darba apstākļos var atšķirties no paziņotās vērtības atkarībā no darbarīka izmantošanas veida un jo īpaši atkarībā no apstrādājamā materiāla veida.

▲BRĪDINĀJUMS: Lai aizsargātu lietotāju, nosakiet drošības pasākumus, kas pamatoti ar iedarbību reālos darba apstākļos (ņemot vērā visus ekspluatācijas cikla posmus, piemēram, laiku, kamēr darbarīks ir izslēgts un kad darbojas tukšgaitā, kā arī palaides laiku).

EK atbilstības deklarācija

Tikai Eiropas valstīm

EK atbilstības deklarācija šajā lietošanas rokasgrāmatā ir iekļauta kā A pielikums.

DROŠĪBAS BRĪDINĀJUMI

SVARĪGI DROŠĪBAS NOTEIKUMI

▲BRĪDINĀJUMS: Izlasiet visus drošības brīdinājumus un visus norādījumus. Brīdinājumu un norādījumu neievērošanas gadījumā ir pastievs elektriskās strāvas trieciens, ugunsgrēks un/vai nopietnas traumas.

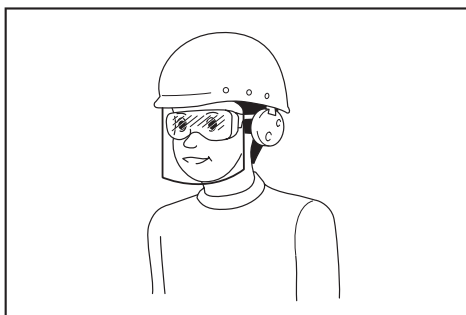
Glabāiet visus brīdinājumus un norādījumus, lai varētu tajos ieskatīties turpmāk.

Apmācība

1. Uzmanīgi izlasiet norādījumus. Izprotiet plaujmašīnas vadības funkcijas un pareizas izmantošanas instrukcijas.
2. Nekādā gadījumā nepieļaujiet, ka zāles plaujmašīnu izmanto bērni vai cilvēki, kas nepārzina šos norādījumus plaujmašīnas izmantošanai. Vietējie noteikumi var ierobežot lietotāja vecumu.
3. Nekādā gadījumā neestrādājiet ar plaujmašīnu, ja tuvumā ir cilvēki (īpaši bērni) vai dzīvnieki.
4. Ņemiet vērā, ka operators vai lietotājs ir atbildīgs par negadījumiem vai apdraudējumu, kas radīts citiem cilvēkiem vai to īpašumam.
5. Bērni ir jāuzrauga, lai tie nerotātos ar plaujmašīnu.
6. Fiziskais stāvoklis — nedarbiniet plaujmašīnu, ja esat narkotiku, alkohola vai zāļu ietekmē.

Sagatavošanās

1. Izmantojot plaujmašīnu, vienmēr valkājiet izturīgus apavus un garās bikses. Nelietojiet plaujmašīnu, ja kājas ir basas vai valkājāt atvērtas sandales. Nevalkājiet apģērbus vai rotaslietas, kas ir vaļīgas vai kam ir auklas vai saites. Tās var ieķerties kustīgajās daļās.
2. Pirms lietošanas vienmēr pārbaudiet, vai plaujmašīnas aizsargi vai vairogi nav bojāti, pazuduši vai uzstādīti nepareizi.
3. Pirms plaušanas pārbaudiet, vai darba zonā nav citu cilvēku. Apturiet plaujmašīnu, ja kāds ienāk darba zonā.
4. Neievietojiet atslēgu plaujmašīnā, ja tā nav gatava izmantošanai.
5. Kad izmantojat mehāniskos darbarīkus, vienmēr valkājiet aizsargbrilles, lai pasargātu acis. Aizsargbrillēm jāatbilst šādiem standartiem: ANSI Z87.1 ASV, EN 166 Eiropā un AS/NZS 1336 Austrālijā/Jaunzēlandē. Austrālijā/Jaunzēlandē ar likumu noteikts, ka darba laikā jāizmanto arī sejsargs.



Darba devējam ir jānodrošina tas, lai darbarīka operatori un citas tiešajā darba vietā esošās personas izmantotu vajadzīgo aizsargaprīkojumu.

6. Pirms ekspluatācijas rūpīgi pārbaudiet, vai asmeņiem vai asmeņu bultskrūvēm nav plaisu vai bojājumu. Ieplaisājušus vai bojātus asmeņus vai asmeņu bultskrūves nekavējoties nomainiet.
7. Pirms pļaušanas atīrīet darba zonu no svešķermeņiem, piemēram, akmeņiem, stieplēm, pudelēm, kauliem un lieliem zariem, lai nevienam netraumētu un nesabojātu pļaujmašīnu.
8. Pļaujmašīnas asmens aizķertie priekšmeti var izraisīt smagas traumas. Pirms pļaušanas vienmēr rūpīgi pārbaudiet, vai zālienā nav svešķermeņu.
9. Uzmanieties no bedrēm, grambām, uzkalniņiem, akmeņiem un grūti pamanāmiem priekšmetiem. Strādājot uz nelīdzenas virsmas, varat paslīdēt un nokrist, tādējādi gūstot traumas. Garā zālē var būt grūti pamanāmi šķēršļi.
10. Neievietojiet vai neizņemiet atslēgu lietus laikā.
11. Izmantojiet individuālos aizsardzības līdzekļus. Vienmēr lietojiet aizsargbrilles. Attiecīgos apstākļos lietojot aizsarglīdzekļus, piemēram, putekļu masku, aizsargapavus ar neslidošu zoli, aizsargķiveri un ausu aizsargus, mazināsiet traumu risks.

Ekspluatācija

1. Nesniedzieties pārāk tālu. Vienmēr saglabājiet līdzsvaru. Strādājot nogāzē, raugieties, lai kāju atbalsts būtu stabils. Pārvietojieties ejot, nekad neskrīniet.
2. Apturiet pļaujmašīnu, izņemiet bloķēšanas atslēgu un pārliecinieties, ka visas kustīgās daļas ir pilnībā apstājušās:
 - ja atstājat pļaujmašīnu bez uzraudzības;
 - pirms nosprostojumu tīrīšanas vai izlaides teknes tīrīšanas;
 - pirms pļaujmašīnas pārbaudīšanas, tīrīšanas vai remontēšanas;
 - pēc sadursmes ar kādu priekšmetu.Pārbaudiet, vai pļaujmašīnai nav bojājumu, un pirms pļaujmašīnas atkārtotas iedarbināšanas un lietošanas veiciet remontu,
 - ja pļaujmašīna sāk neparasti vibrēt.
3. Nekādā gadījumā nelietojiet pļaujmašīnu, ja bojāti tās aizsargi vai vairogi vai ja nav uzstādītas drošības ierīces, piemēram, deflektori un/vai zāles grozs.
4. Neizmantojiet pļaujmašīnu sliktos laikapstākļos, jo īpaši laikā, kad iespējams zibens.
5. Strādājot ar pļaujmašīnu, vienmēr izmantojiet acu aizsarglīdzekļus un valkājiet izturīgus apavus.

6. Pļaujmašīnu izmantojiet tikai dienas gaismā vai labā maksimālajā apgaismojumā.
7. Pļaujmašīnu iedarbiniet uzmanīgi saskaņā ar norādījumiem un netuvinot pēdas asmenim(-ņiem).
8. Uzmanieties, lai pļaujmašīnas asmens nesavainotu jūsu kājas un rokas.
9. Vienmēr nodrošiniet, lai ventilācijas atverēs nebūtu netīrumu.
10. Pļaujiet slīpi pāri nogāzei, nekad nepļaujiet uz augšu vai uz leju. Mainot virzienu nogāzēs, uzmanieties īpaši. Nepļaujiet pārāk stāvas nogāzēs.
11. Īpaši uzmanieties, strādājot atpakaļgaitā vai velkot pļaujmašīnu pie sevis.
12. Apturiet asmeni(-ņus), ja pļaujmašīna ir jāsasver, pārvietojot vai šķērsojot virsmu, kas nav zāle, kā arī pārvietojot pļaujmašīnu uz pļaušanas vietu un no tās.
13. Iedarbinot motoru, nesasveriet pļaujmašīnu, ja tikai tas nav jādara, lai tā sāktu darboties. Šādā gadījumā nesasveriet to vairāk, kā nepieciešams, un paceliet tikai to daļu, kas nav lietotāja tuvumā. Pirms pļaujmašīnas novietošanas atpakaļ uz zemes vienmēr pārliecinieties, ka abas rokas atrodas darba pozīcijā.
14. Plaukstas vai pēdas nelieciet rotējošo detaļu tuvumā vai zem tām. Nekad nestāviet izvades atvēruma tuvumā.
15. Netransportējiet pļaujmašīnu, ja tā ir ieslēgta.
16. Nelietojiet pļaujmašīnu mitrā zālē.
17. Rokturi vienmēr turiet cieši.
18. Paceļot vai turot pļaujmašīnu, nesatveriet to aiz asmeņiem.
19. Rokas un kājas netuviniet rotējošiem asmeņiem. Uzmanību! Asmeņi turpina griezties arī pēc pļaujmašīnas izslēgšanas.
20. Ja ievērojat ko neparastu, nekavējoties pārtrauciet darbu. Izslēdziet pļaujmašīnu un izņemiet bloķēšanas atslēgu. Pēc tam pārbaudiet pļaujmašīnu.
21. Ja pļaujmašīnai ir griešanas augstuma regulēšanas funkcija, nekad nemēģiniet regulēt griešanas augstumu, kamēr pļaujmašīna darbojas.
22. Pirms piebraucamo ceļu, taku, ceļu un ar granti klātu vietu šķērsošanas atļaidiet slēdža sviru un ļaujiet asmenim apstāties. Izņemiet arī atslēgu, ja atstājat pļaujmašīnu, sniedzoties kaut ko pacelt vai cenšoties noņemt kādu šķērslī, kā arī citu apstākļu gadījumā, kas neļauj pilnībā koncentrēties veicamajam darbam.
23. Ja pļaujmašīna trāpa kādam objektam, rīkojieties šādi:
 - Apturiet pļaujmašīnu, atļaidiet slēdža sviru un uzgaidiet, līdz asmens pilnībā apstājas.
 - Izņemiet atslēgu un akumulatora kasetni.
 - Rūpīgi pārbaudiet, vai pļaujmašīnai nav bojājumu.
 - Nomainiet asmeni, ja tas ir bojāts. Bojājumu novērsiet pirms pļaujmašīnas atkārtotas iedarbināšanas un turpināšanas.
24. Neiedarbiniet pļaujmašīnu, ja stāvat pretī izvades atvēruman.

25. **Ja plaujmašīna sāk neparasti vibrēt (nekavējoties pārbaudiet)**
- pārbaudiet, vai nav bojājumu;
- nomainiet vai saremontējiet bojātas daļas;
- pārbaudiet un pieskrūvējiet vaļīgas detaļas.
 26. **Nekad nevērsiet izvadīto materiālu pret citiem cilvēkiem. Materiālu nedrīkst izvadīt pret sienu vai kādu citu šķērslī. Materiāls pēc rikošeta var lidot operatora virzienā. Šķērsojot akmeņainas virsmas, apstādiniet asmeni.**
 27. **Nevelciet plaujmašīnu atpakaļgaitā, ja tikai tas nav absolūti nepieciešams. Ja esat spiesti vilkt plaujmašīnu atpakaļgaitā prom no žoga vai cita šķēršļa, vispirms un arī kustības laikā skatieties uz leju un aizmuguri.**
 28. **Pirms zāles uztvērēja izņemšanas izslēdziet motoru un uzgaidiet, līdz asmens ir pilnībā apstājies. Ņemiet vērā, ka asmens pēc izslēgšanas turpina kustēties inerces dēļ.**
 29. **Izmantojot ierīci dubļainā vietā, uz mitras sliņas virsmas vai slidenā vietā, raugieties, lai kājām būtu stabils atbalsts.**
 30. **Centieties nestrādāt grūti apstrādājamā vidē, kur var ātri nogurt.**
 31. **Neizmantojiet plaujmašīnu sliktos laikapstākļos, kad ir ierobežota redzamība. Pretējā gadījumā iespējams nokrišanas risks vai nepareiza ekspluatācija sliktas redzamības dēļ.**
 32. **Negremdējiet ierīci peļķē.**
 33. **Ja lietus dēļ pie sūkšanas atveres (ventilācijas atveres) pielīp slapjas lapas vai dubļi, noņemiet tos.**
 34. **Neizmantojiet ierīci sniegā.**
 35. **Ja nogrieztā zāle ir mitra, tā, visticamāk, aizsprostos ierīces iekšpusi. Regulāri pārbaudiet ierīces stāvokli un, ja nepieciešams, noņemiet pielīpušo zāli.**
 36. **Darbarīka izmantošanas laikā pievērsiet uzmanību caurulēm un vadiem.**
- Apkope un glabāšana**
1. **Drošības nolūkā nomainiet nodilušas vai nolietotas daļas. Izmantojiet tikai oriģinālās rezerves daļas un piederumus.**
 2. **Regulāri pārbaudiet plaujmašīnu un veiciet tās apkopi.**
 3. **Kad plaujmašīnu neizmantojat, glabājiet to bērniem nepieejamā vietā.**
 4. **Visus uzgriežņus, bultskrūves un skrūves uzturiet cieši pievilktus, lai aprīkojums aizvien būtu drošā darba stāvoklī.**
 5. **Regulāri pārbaudiet, vai zāles grozs nav nodilis vai nolietojies. Kad ierīci liekat glabāšanā, pārbaudiet, vai zāles grozs ir tukšs. Nodilušu zāles grozu drošības nolūkā nomainiet pret jaunu rūpnīcas rezerves grozu.**
 6. **Izmantojiet tikai šajā rokasgrāmatā norādītos ražotāja oriģinālos asmeņus.**
 7. **Uzmanieties, regulējot plaujmašīnu, lai pirksti neiesprūstu starp ierīces kustīgajiem asmeņiem un fiksētajām daļām.**
 8. **Bieži pārbaudiet, vai stiprinājuma skrūve pievilka pietiekami cieši.**
 9. **Pirms novietošanas glabātavā ļaujiet plaujmašīnai atdzist.**
10. **Veicot asmeņu apkopi, ņemiet vērā, ka, lai gan barošanas avots ir izslēgts, asmeņus joprojām var pārvietot.**
 11. **Nekad neizņemiet un neizjauciet drošības ierīces. Regulāri pārbaudiet, vai tās darbojas pareizi. Nekad neveiciet darbības, kas varētu traucēt drošības ierīces darbību vai samazināt aizsardzību, ko sniedz drošības ierīce.**
 12. **Lietus laikā neatstājiet plaujmašīnu ārpus telpām bez uzraudzības.**
 13. **Nemazgājiet ierīci ar augstspiediena ūdens strūklu.**
 14. **Mazgājot ierīci, raugieties, lai akumulators un atslēga būtu izņemti, un ūdeni ļeijiet virzienā uz ierīces apakšpusi, kur ir pietiprināts asmens.**
 15. **Novietojot ierīci glabāšanai, izvairieties no tiešiem saules stariem un lietus un novietojiet to vietā, kur nekļūst karsts vai mitrs.**
 16. **Pārbaudes un apkopes darbus veiciet vietā, kur iespējams izvairīties no lietus.**
 17. **Pēc plaujmašīnas lietošanas notīriet netīrumus, pilnībā nožāvējiet plaujmašīnu un tikai tad novietojiet to glabāšanā. Atkarībā no sezonas vai apgabala pastāv darbības traucējumu risks sasaišanas dēļ.**
- Bezvada darbarīka lietošana un apkope**
1. **Uzlādei izmantojiet tikai ražotāja norādītos lādētājus. Vienam akumulatoru tipam paredzēta uzlādētāja izmantošana cita tipa akumulatoru uzlādei var radīt aizdegšanās bīstamību.**
 2. **Izmantojiet mehānizētos darbarīkus tikai ar paredzētajiem akumulatoriem. Jebkura cita tipa akumulatoru izmantošana var radīt traumu un aizdegšanās bīstamību.**
 3. **Kamēr akumulators netiek izmantots, neturiet to blakus metāla priekšmetiem, piemēram, saspraudēm, monētām, atslēgām, naglām, skrūvēm un citiem nelieliem metāla priekšmetiem, kas var savienot izvadus. Akumulatora spaiļu īssavienojums var izraisīt apdegumus vai aizdegšanos.**
 4. **Nepareizas lietošanas gadījumā no akumulatora var iztect šķidrums, nepieskarieties tam. Ja nejausi pieskārties šķidrumam, noskalojiet skarto vietu ar ūdeni. Ja šķidrums nokļūst acīs, papildus iepriekš minētajam, vērsieties pie ārsta. No akumulatora iztecejušais šķidrums var izraisīt kairinājumu vai apdegumus.**
 5. **Ja akumulatora bloks vai darbarīks ir bojāts vai pārveidots, nelietojiet to. Bojāti vai pārveidoti akumulatori var darboties nepareizi, izraisot aizdegšanos, sprādzienu vai traumu.**
 6. **Akumulatora bloku un darbarīku nepakļaujiet uguns un pārmērīgi augstas temperatūras ietekmei. Ja akumulatora bloks vai darbarīks tiek pakļauts uguns vai par 130 °C augstākas temperatūras iedarbībai, var notikt sprādziens.**
 7. **Izplūdiet visus uzlādes norādījumus un neuzlādējiet akumulatora bloku ārpus norādītajos noteiktā temperatūras diapazona. Nepareiza uzlāde vai temperatūra, kas ir ārpus noteiktā diapazona, var sabojāt akumulatoru un palielināt aizdegšanās draudus.**

Elektrodrošība un akumulatora drošība

1. **Neatbrīvojieties no akumulatora(-iem), to(-s) dedzinot.** Var rasties eksplozija. Skatiet attiecīgos valsts noteikumus, lai uzzinātu īpašus norādījumus izmešanai atkritumos.
2. **Akumulatoru(-s) nedrīkst atvērt vai sabojāt.** Izteicējusais elektrolīts ir kodīgs un var nodarīt kaitējumu acīm vai ādai. Norijot tas var būt toksisks.
3. **Nelādējiet akumulatoru lietū vai mitrās vietās.**
4. **Nelādējiet akumulatoru ārpus telpām.**
5. **Neaiztieciot lādētāju, kā arī lādētāja spraudni vai spaiļes ar slapjām rokām.**
6. **Neveiciet akumulatora nomaiņu lietū.**
7. **Nesamitriniet izvadu vai akumulatoru ar šķidrumu, piemēram, ūdeni, vai neiegremdējiet akumulatoru.** Neatstājiet akumulatoru lietū, kā arī nelādējiet, neizmantojiet vai neglabājiet akumulatoru mitrā vai slapjā vietā. Ja izvads kļūst mitrs vai akumulatorā iekļūst šķidrums, akumulatorā var rasties isslēgums un pastāv pārkaršanas, aizdegšanās vai sprādziena risks.
8. **Pēc akumulatora izņemšanas no ierīces vai lādētāja raugieties, lai akumulatora vāks tiek piestiprināts pie akumulatora, un glabājiet to sausā vietā.**
9. **Nemainiet akumulatoru ar mitrām rokām.**
10. **Ja akumulatora kasetnē iekļūst ūdens, noticeiniet ūdeni un izslaukiet kasetni ar sausu drānu.** Pirms lietošanas pilnībā nožāvējiet akumulatora kasetni sausā vietā.
11. **Izvairieties no bīstamas vides.** Neizmantojiet ierīci mitrās vai slapjās vietās vai neatstājiet to lietū. Ja ierīcē iekļūst ūdens, palielināsies elektriskā trieciēna risks.

Apkope

1. **Uzticiet sava elektriskā darbarīka apkopi kvalificētam remontstrādniekam, izmantojiet tikai identiskas rezerves daļas.** Tas garantēs to, ka elektriskā darbarīka drošības pakāpe nesamazināsies.
2. **Nekādā gadījumā nelietojiet bojātus akumulatora blokus.** Akumulatora bloka apkopi drīkst veikt tikai to ražotājs vai pilnvarotī apkopes centri.

SAGLABĀJIET ŠOS NORĀDĪJUMUS.

BRĪDINĀJUMS: NEPIEĻAUJIET to, ka labu iemaņu vai izstrādājuma labas pārzināšanas (darbarīku atkārtoti ekspluatējot) rezultātā vairs stingri neievērojat šī izstrādājuma drošības noteikumus.

NEPAREIZI LIETOJOT darbarīku vai neievērojot šajā instrukciju rokasgrāmatā minētos drošības noteikumus, var tikt gūtas smagas traumas.

Svarīgi drošības norādījumi par akumulatora kasetni

1. **Pirms akumulatora lietošanas izlasiet visus norādījumus un brīdinājumus, kuri attiecas uz (1) akumulatora lādētāju, (2) akumulatoru un (3) ierīci, kurā tiek izmantots akumulators.**
2. **Akumulatora kasetni nedrīkst ne pārveidot, ne izjaukt.** Citādi var tikt izraisīta aizdegšanās, pārmērīgs karstums vai sprādziens.

3. **Ja akumulatora darbības laiks kļūva ievērojami īsāks, nekavējoties pārtrauciet to izmantot.** Citādi, tas var izraisīt pārkaršējumu, uzliesmojumu vai pat sprādzienu.
4. **Ja elektrolīts nonāk acīs, izskalojiet tās ar tīru ūdens un nekavējoties griežieties pie ārsta.** Tas var izraisīt redzes zaudēšanu.
5. **Neradiet issavienojumu akumulatora kasetnē:**
 - (1) **Nepieskarieties spaiļēm ar elektrību vadošiem materiāliem.**
 - (2) **Neuzglabājiet akumulatoru kasetni kopā ar citiem metāla priekšmetiem, tādiem kā naglas, monētas u. c.**
 - (3) **Nepakļaujiet akumulatora kasetni ūdens vai lietus iedarbībai.**

Akumulatora īssavienojums var radīt spēcīgu strāvas plūsmu, pārkaršanu, uzliesmojumu un pat sabojāt akumulatoru.

6. **Neglabājiet un neizmantojiet darbarīku un akumulatora kasetni vietās, kur temperatūra var sasniegt vai pārsniegt 50 °C (122 °F).**
7. **Nedeziniet akumulatora kasetni, pat ja tā ir stipri bojāta vai pilnībā nolietota.** Akumulatora kasetne ugunī var eksplodēt.
8. **Akumulatora kasetni nedrīkst naglot, griezt, saspīst, mest vai nomet, kā arī pa to nedrīkst sist ar cietu priekšmetu.** Šādas darbības var izraisīt aizdegšanos, pārmērīgu karstumu vai sprādzienu.
9. **Neizmantojiet bojātu akumulatoru.**
10. **Uz izmantotajiem litija jonu akumulatoriem attiecas likumdošanas prasības par bīstamiem izstrādājumiem.**

Komerציālā transportēšanā, ko veic, piemēram, trešās puses, transporta uzņēmumi, jāievēro uz iesaiņojuma un marķējuma norādītās īpašās prasības. Lai izstrādājumu sagatavotu nosūtīšanai, jāsaazinās ar bīstamo materiālu speciālistu. Ievērojiet arī citus attiecināmos valsts normatīvus.

Valējus kontaktus nosedziet ar līmlenti vai citādi pārklājiet, bet akumulatoru iesaiņojiet tā, lai sainī tas nevarētu izkustēties.

11. **Lai utilizētu akumulatora kasetni, izņemiet to no darbarīka un likvidējiet drošā vietā.** Ievērojiet vietējos noteikumus par akumulatora likvidēšanu.
12. **Izmantojiet šos akumulatorus tikai ar izstrādājumiem, kurus norādījis Makita.** Ievietojot šos akumulatorus nesaderīgos izstrādājumos, var rasties ugunsgrēks, pārmērīgs karstums, tie var uzsprāgt vai no tiem var iztecēt elektrolīts.
13. **Ja darbarīks netiks lietots ilgu laiku, no tā jāizņem akumulators.**
14. **Lietošanas laikā vai pēc tās akumulatora kasetne var uzkrāt siltumu, kas var izraisīt apdegumus vai zemas temperatūras apdegumus.** Ar karstu akumulatora kasetni apejieties rūpīgi.
15. **Nepieskarieties darbarīka izvadam uzreiz pēc lietošanas, jo tas var būt sarkasis un izraisīt apdegumus.**
16. **Neļaujiet akumulatora kasetnes izvadā, atvērēs un rievās uzkrāties skaidām, putekļiem vai augsnei.** Tādējādi darbarīks vai akumulatora kasetne var sākt darboties nekvālitatīvi vai tikt sabojāti.

17. Neizmantojiet akumulatora kasetni augstsprieguma līniju tuvumā, izņemot gadījumus, kad darbarīks ir piemērots lietošanai augstsprieguma līniju tuvumā. Citādi darbarīks vai akumulatora kasetne var sākt darboties nepareizi vai tikt sabojāti.
18. Glabājiet akumulatoru bērniem nepieejamā vietā.

SAGLABĀJIET ŠOS NORĀDĪJUMUS.

⚠UZMANĪBU: Lietojiet tikai oriģinālos Makita akumulatorus. Ja lietojat neoriģinālus Makita akumulatorus vai pārveidotus akumulatorus, tie var uzsprāgt un izraisīt aizdegšanos, traumas un materiālos zaudējumus. Tīks anulēta arī Makita darbarīka un lādētāja garantija.

Ieteikumi akumulatora kalpošanas laika pagarināšanai

1. Uzlādējiet akumulatora kasetni, pirms tā ir pilnībā izlādējusies. Vienmēr, kad ievērojāt, ka darbarīka darba jauda zudusi, apturiet darbarīku un uzlādējiet akumulatora kasetni.
2. Nekad neuzlādējiet pilnībā uzlādētu akumulatora kasetni. Pārmērīga uzlāde saīsina akumulatora kalpošanas laiku.
3. Uzlādējiet akumulatora kasetni istabas temperatūrā 10 °C - 40 °C. Karstai akumulatora kasetnei pirms uzlādes ļaujiet atdzist.
4. Kad akumulatora kasetne netiek izmantota, izņemiet to no darbarīka vai lādētāja.
5. Uzlādējiet litija jonu akumulatora kasetni, ja to ilgstoši nelietosit (vairāk nekā sešus mēnešus).

MONTĀŽA

⚠BRĪDINĀJUMS: Pirms darbošanās ap pļaujmašīnu vienmēr pārbaudiet, vai bloķēšanas atslēga un akumulatora kasetne ir izņemta. Ja bloķēšanas atslēgu un akumulatora kasetni neizņem, tad, pļaujmašīnai nejaushi ieslēdzoties, var gūt smagas traumas.

⚠BRĪDINĀJUMS: Neieslēdziet pļaujmašīnu, ja tā nav pilnībā salikta. Nejaushi ieslēdzot daļēji saliktu pļaujmašīnu, var gūt smagas traumas.

Roktura uzstādīšana

⚠IEVĒRĪBAI: Uzstādot rokturus, vadus novietojiet tā, lai tie nevarētu iekerties starp rokturiem. Ja vads ir bojāts, pļaujmašīnas slēdzis var nedarboties.

1. Savietojiet apakšējā roktura atveres ar atverēm pļaujmašīnas korpusā un tad viegli pievelciet 4 bulskrūves.
- ▶ **Att.1:** 1. Apakšējais rokturis 2. Bulskrūve
2. 4 bulskrūves, kuras viegli pievilkāt 1. darbībā, pievelciet cieši, izmantojot galatslēgu 13.

3. Savietojiet atveri apakšējā rokturī ar atveri augšējā rokturī, ievietojiet bulskrūvi no iekšpuses un tad pievelciet uzgriezni no ārpusē, izmantojot galatslēgu 13. Vieciēt tādu pašu procedūru otrā pusē.
- ▶ **Att.2:** 1. Bulskrūve 2. Apakšējais rokturis 3. Uzgrieznis 4. Atvere 5. Augšējais rokturis

⚠UZMANĪBU: Turiet augšējo rokturi stingri, lai tas neizkrīt no rokas. Citādi rokturis var nokrist un izraisīt traumu.

4. Pievienojiet turētājus pie roktura. Savietojiet izvirkzījumus uz turētāja ar atverēm uz roktura, lai izvirkzījumi ievietotos atverēs. Novietojiet kabelus, kā redzams attēlā.
- ▶ **Att.3:** 1. Kabelis 2. Turētājs

Mulčēšanas spraudņa noņemšana

1. Atveriet aizmugurējo pārsegu.
- ▶ **Att.4:** 1. Aizmugurējais pārsegs
2. Turot sviru uz leju, noņemiet mulčēšanas spraudni.
- ▶ **Att.5:** 1. Svira 2. Mulčēšanas spraudnis

Zāles groza montāža

1. Ievietojiet rāmi zāles grozā līdz galam.
- ▶ **Att.6:** 1. Rāmis 2. Zāles grozs
2. Pievienojiet augšējo skavu rāmim, kā parādīts attēlā.
- ▶ **Att.7:** 1. Skava
3. Pievienojiet rāmim visas skavas, kā parādīts attēlā. Pārliecinieties, vai visi skavas ir droši piestiprinātas pie rāmja.
- ▶ **Att.8**

Zāles groza uzstādīšana vai noņemšana

Lai uzstādītu zāles grozu, rīkojieties, kā norādīts tālāk.

1. Atveriet aizmugurējo pārsegu.
- ▶ **Att.9:** 1. Aizmugurējais pārsegs
2. Turiet zāles groza rokturi un uzāķējiet zāles grozu uz pļaujmašīnas korpusa stieņa, kā redzams attēlā.
- ▶ **Att.10:** 1. Stienis 2. Rokturis 3. Zāles grozs

Lai noņemtu zāles grozu, atveriet aizmugurējo pārsegu un, turot aiz roktura, noņemiet zāles grozu.

Mulčēšanas spraudņa piestiprināšana

1. Atveriet aizmugurējo pārsegu un izņemiet zāles grozu.
- ▶ **Att.11:** 1. Aizmugurējais pārsegs 2. Zāles grozs
2. Piestipriniet mulčēšanas spraudni, turot nospiestu sviru, un tad atlaidiet sviru, lai mulčēšanas spraudni nofiksētu.
- ▶ **Att.12:** 1. Svira 2. Mulčēšanas spraudnis

Iztukšošanas palīgierīces piestiprināšana

1. Atveriet aizmugurējo pārsegu un izņemiet zāles grozu.
▶ **Att.13:** 1. Aizmugurējais pārsegs 2. Zāles grozs
2. Piestipriniet mulčēšanas spraudni, turot nopiestu sviru, un tad atļaidiet sviru, lai mulčēšanas spraudni nofiksētu.
▶ **Att.14:** 1. Svira 2. Mulčēšanas spraudnis
3. Atveriet labās puses pārsegu un piestipriniet iztukšošanas palīgierīci.
ievietojiet iztukšošanas palīgierīces āķus zem labās puses pārsega stieņa.
▶ **Att.15:** 1. Labās puses pārsegs 2. Iztukšošanas palīgierīce

FUNKCIJU APRAKSTS

Pārnēsājama barošanas bloka uzstādīšana vai noņemšana

⚠UZMANĪBU: Pirms pārnēsājama barošanas bloka uzstādīšanas vai noņemšanas vienmēr izslēdziet ierīci.

⚠UZMANĪBU: Uzstādot vai noņemot pārnēsājamo barošanas bloku, cieši turiet iekārtu un pārnēsājamo barošanas bloku. Neturot cieši, tie var izslīdēt no rokām, tādējādi izraisot ierīces un pārnēsājama barošanas bloka bojājumus, kā arī kādu savainot.

⚠UZMANĪBU: Pārliecinieties, vai pārnēsājams barošanas bloks ir droši uzstādīts ierīcē. Citādi tas var nejauši izkrist no ierīces un radīt jums vai apkārtējiem traumas.

⚠UZMANĪBU: Pirms lietošanas pārliecinieties, vai kabelis ir cieši piestiprināts kabeļu turētājiem un spraudnis ir ievietots kontaktligzdā līdz galam.

Paredzēts PDC1200

1. Novietojiet pārnēsājama barošanas bloka kabeli, kā parādīts attēlā.
▶ **Att.16:** 1. Pārnēsājams barošanas bloks 2. Vads
2. Uzstādiet ierīces pārnēsājamo barošanas bloku, kā parādīts attēlā.
▶ **Att.17:** 1. Akumulatora atbalsta svira
2. Pārnēsājams barošanas bloks
3. Bloķēšanas poga

⚠UZMANĪBU: Pārliecinieties, vai pārnēsājams barošanas bloks ir cieši piestiprināts pie akumulatora atbalsta svirām un bloķēšanas poga ir droši bloķēta.

3. Pievienojiet kabeli turētājiem, kā parādīts attēlā. Atveriet kontaktligzdas vāciņu, pēc tam savietojiet ligzdas bultiņas atzīmi ar ierīces bultiņas atzīmi un pēc tam ievietojiet spraudni kontaktligzdā līdz galam.
▶ **Att.18:** 1. Spraudņa vāks 2. Bultiņas atzīme
3. Ligzda 4. Vads

IEVĒRĪBAI: Nespiediet ligzdu ar spēku. Ja ligzdu nevar ievietot viegli, tā nav pareizi ielikta.

IEVĒRĪBAI: Atvienojot kontaktligzdu no spraudņa, neturiet kabeli, bet turiet ligzdu. Pretējā gadījumā var sabojāt kabeli un izraisīt nepareizu ierīces darbību.

4. Atveriet bloķēšanas atslēgas vāku, pēc tam ievietojiet bloķēšanas atslēgu attēlā parādītajā vietā līdz galam un pēc tam aizveriet bloķēšanas atslēgas vāku.
▶ **Att.19:** 1. Bloķēšanas atslēga 2. Bloķēšanas atslēgas vāks

Lai noņemtu pārnēsājamo barošanas bloku, iepriekšminētās darbības izpildiet pretējā secībā.

Paredzēts PDC01

PIEZĪME: Pirms ierīces pārnēsājama barošanas bloka uzstādīšanas ievietojiet vismaz vienu akumulatoru 1. vai 2. akumulatora portā un vismaz vienu akumulatoru 3. vai 4. akumulatora portā.

1. Novietojiet pārnēsājama barošanas bloka kabeli, kā parādīts attēlā.
▶ **Att.20:** 1. Pārnēsājams barošanas bloks 2. Vads
2. Uzstādiet ierīces pārnēsājamo barošanas bloku, kā parādīts attēlā. Nofiksējiet bloķēšanas sviras abās pārnēsājama barošanas bloka pusēs.
▶ **Att.21:** 1. Akumulatora atbalsta svira 2. Bloķēšanas svira 3. Pārnēsājams barošanas bloks

⚠UZMANĪBU: Pārliecinieties, vai pārnēsājams barošanas bloks ir cieši piestiprināts akumulatora atbalsta svirām un vai bloķēšanas sviras ir droši bloķētas.

3. Pievienojiet kabeli turētājiem, kā parādīts attēlā. Atveriet kontaktligzdas vāciņu, pēc tam savietojiet ligzdas bultiņas atzīmi ar ierīces bultiņas atzīmi un pēc tam ievietojiet spraudni kontaktligzdā līdz galam.
▶ **Att.22:** 1. Spraudņa vāks 2. Bultiņas atzīme
3. Ligzda 4. Vads

IEVĒRĪBAI: Nespiediet ligzdu ar spēku. Ja ligzdu nevar ievietot viegli, tā nav pareizi ielikta.

IEVĒRĪBAI: Atvienojot kontaktligzdu no spraudņa, neturiet kabeli, bet turiet ligzdu. Pretējā gadījumā var sabojāt kabeli un izraisīt nepareizu ierīces darbību.

4. Atveriet bloķēšanas atslēgas vāku, pēc tam ievietojiet bloķēšanas atslēgu attēlā parādītajā vietā līdz galam un pēc tam aizveriet bloķēšanas atslēgas vāku.
▶ **Att.23:** 1. Bloķēšanas atslēga 2. Bloķēšanas atslēgas vāks

Lai noņemtu pārnēsājamo barošanas bloku, iepriekšminētās darbības izpildiet pretējā secībā.

Darbarīka/akumulatora aizsardzības sistēma

Darbarīks ir aprīkots ar darbarīka/akumulatora aizsardzības sistēmu. Šī sistēma automātiski izslēdz motora barošanu, tādējādi pagarinot darbarīka un akumulatora darbību. Lietošanas laikā darbarīks automātiski pārstās darboties, ja darbarīks vai akumulators atradīsies kādā no tālāk norādītajiem apstākļiem.

Aizsardzība pret pārslodzi

Ja akumulatoram ekspluatācijas laikā jānodrošina pārmērīgi liela strāva, darbarīks automātiski pārstāj darboties, un galvenais jaudas indikators mirgo zaļā krāsā. Šādā gadījumā izslēdziet darbarīku un pārtrauciet darbību, kas izraisīja pārslodzi. Pēc tam ieslēdziet darbarīku, lai atsāktu darbu.

Aizsardzība pret pārkaršanu

Ja darbarīks vai akumulators ir pārkaris, darbarīks automātiski pārstāj darboties, un galvenais jaudas indikators deg sarkanā krāsā. Šādā gadījumā ļaujiet darbarīkam un akumulatoram atdzist un tikai pēc tam atkal ieslēdziet darbarīku.

Aizsardzība pret akumulatora pārmērīgu izlādi

Ja atlikusī akumulatora jauda nav pietiekama, ierīce automātiski pārstāj darboties, galvenais jaudas indikators mirgo sarkanā krāsā un iedegas indikatora lampiņa. Šādā gadījumā izņemiet akumulatoru no ierīces un uzlādējiet akumulatoru vai nomainiet akumulatoru ar pilnībā uzlādētu akumulatoru.

Vadības bloks

Vadības blokā ir galvenais barošanas slēdzis un režīma pārslēgšanas poga.

► **Att.24:** 1. Lampiņa, kas norāda laidenu darbības režīmu bez slodzes 2. Lampiņa, kas norāda trokšņa samazināšanas režīmu 3. Režīmu pārslēgšanas poga 4. Galvenais jaudas indikators 5. Galvenais ieslēgšanas slēdzis

Galvenais barošanas slēdzis

▲BRĪDINĀJUMS: Vienmēr, kad darbarīku neliekojat, izslēdziet galveno elektropadeves slēdzi.

Lai ieslēgtu ierīci, nospiediet galveno barošanas slēdzi. Galvenais jaudas indikators iedegas zaļā krāsā. Lai izslēgtu ierīci, vēlreiz nospiediet galveno barošanas slēdzi.

PIEZĪME: Ja galvenais jaudas indikators iedegas sarkanā krāsā vai sāk mirgot sarkanā vai zaļā krāsā, skatiet norādes par darbarīka/akumulatora aizsardzības sistēmu.

PIEZĪME: Šim darbarīkam ir automātiska izslēgšanas funkcija. Lai novērstu nejaunu iedarbināšanu, galvenais barošanas slēdzis automātiski izslēdzas, ja noteiktā laikposmā pēc galvenā barošanas slēdža ieslēgšanas slēdža svira un piedziņas svira (ja tā uzstādīta) netiek pavilkta.

Režīmu pārslēgšanas poga

Darba režīmu iespējams pārslēgt, nospiežot režīmu pārslēgšanas pogu. Kad ierīce tiek ieslēgta, darbs tiek sāks standarta režīmā.







Nospiežot režīma pārslēgšanas pogu, ierīce pārslēdzas darbam laidenā režīmā bez slodzes un attiecīgā režīma lampiņa iedegas zaļā krāsā. Laidenā darbības režīmā bez slodzes tiek samazināts iedarbināšanas trieciens. Vēlreiz nospiežot režīmu pārslēgšanas pogu, ierīce pārslēdzas trokšņa samazināšanas režīmā, un trokšņa samazināšanas režīma lampiņa iedegas zaļā krāsā. Trokšņa samazināšanas režīmā varat samazināt plaušanas laikā radīto troksni.

Kad nospiežat režīmu pārslēgšanas pogu vēlreiz, darbarīks pārslēdzas standarta režīmā.

Atlikušās akumulatora jaudas indikators

Kad atlikusī akumulatora jauda ir zema, indikators sāk mirgot vai iedegas.

► **Att.25:** 1. Indikatora lampiņa

| Indikatora lampiņa | | | Atlikusī jauda |
|---|---|---|-------------------------|
| Izslēgts | Mirgo | Iedegies | |
|  |  |  | |
| |  | | No 20% līdz 100% |
| |  | | No 0% līdz 20% |
| |  | | Uzlādējiet akumulatoru. |

PIEZĪME: Atlikušās akumulatora jaudas indikatora lampiņas ir tikai atsauce. Akumulatora faktiskā jauda var atšķirties atkarībā no lietošanas apstākļiem.

PIEZĪME: Kad ierīce pārtrauc darbību, indikatora lampas displejs tiek atjaunināts.

Slēdža darbība

▲BRĪDINĀJUMS: Pirms pārnēsājamā barošanas bloka uzstādīšanas vienmēr pārbaudiet, vai slēdža svira darbojas pareizi un pēc atlaišanas atgriežas sākotnējā stāvoklī. Lietojot darbarīku, kura slēdzis nedarbojas pareizi, tas var kļūt nevaicams un radīt nopietnas traumas.

PIEZĪME: Pļaujmašīna nesāk darboties bez slēdža pogas nospiešanas pat tad, ja ir pārbīdīta slēdža svira.

PIEZĪME: Mēģinot pļaut garu, mitru zāli, pārslodzes dēļ pļaujmašīnu var neizdoties iedarbināt. Šādā gadījumā palieliniet pļaušanas augstumu.

Šī pļaujmašīna ir aprīkota ar bloķēšanas atslēgu un roktura slēdzi. Ja pamanāt, ka bloķēšanas atslēga vai slēdzis darbojas nepareizi, nekavējoties pārtrauciet ekspluatāciju un uzticiet veikt pārbaudi tuvākajā Makita pilnvarotā servisa centrā.

1. Uzstādiat pārnēsājamu barošanas bloku un pēc tam ievietojiet bloķēšanas atslēgu.

2. Piespiediet pārnēsājamā barošanas bloka ieslēgšanas/izslēgšanas pogu. Izgaismosies galvenais jaudas indikators.

Paredzēts PDC1200

- **Att.26:** 1. Ieslēgšanas/izslēgšanas poga
2. Galvenais jaudas indikators

Paredzēts PDC01

- **Att.27:** 1. Ieslēgšanas/izslēgšanas poga
2. Galvenais jaudas indikators

3. Nospiediet galveno barošanas slēdzi.
4. Pavelciet slēdža sviru pret sevi, vienlaicīgi turot nospiestu slēdža pogu. Atlaidiet slēdža pogu, tiklīdz motors ir iedarbināts.
► **Att.28:** 1. Slēdža poga 2. Slēdža svira

PIEZĪME: Ja atslēga nav ievietota, tad, piespiežot slēdža mēlīti, jaudas indikators mirgo zaļā krāsā.

5. Turot nospiestu slēdža sviru, spiediet piedziņas sviru uz priekšu un turiet, lai nodrošinātu piedziņu aizmugures riteņiem.
► **Att.29:** 1. Piedziņas svira

PIEZĪME: Piedziņu aizmugures riteņiem var nodrošināt, turot piedziņas sviru nospiestu uz priekšu, bet nevelkot slēdža sviru.

6. Atlaidiet piedziņas sviru un slēdža sviru, lai apturētu darbarīku.

Plaušanas augstuma regulēšana

▲BRĪDINĀJUMS: Nekad nelieciet rokas un kājas zem plaujmašīnas, kad regulējat plaušanas augstumu.

▲BRĪDINĀJUMS: Pirms lietošanas vienmēr pārbaudiet, vai svira pilnībā nofikssējusies rievā.

Plaušanas augstumu var regulēt diapazonā no 20 mm līdz 100 mm.

Izņemiet atslēgu un tad velciet plaušanas augstuma regulēšanas sviru uz āru no plaujmašīnas korpusa, tad novietojiet to vēlāmajā plaušanas augstumā.

- **Att.30:** 1. Plaušanas augstuma regulēšanas svira

Tabulā tālāk ir redzama attiecība starp skaitli, kas norādīts uz plaujmašīnas korpusa, un aptuveno plaušanas augstumu.

| Skaitlis | Plaušanas augstums |
|----------|--------------------|
| 1 | 20 mm |
| 2 | 26 mm |
| 3 | 32 mm |
| 4 | 39 mm |
| 5 | 47 mm |
| 6 | 55 mm |
| 7 | 63 mm |
| 8 | 74 mm |
| 9 | 86 mm |
| 10 | 100 mm |

Ar vienu roku turiet priekšējo rokturi vai apakšējo rokturi un ar otru roku pārvietojiet plaušanas augstuma regulēšanas sviru.

- **Att.31:** 1. Plaušanas augstuma regulēšanas svira
2. Apakšējais rokturis 3. Priekšējais rokturis

PIEZĪME: Plaušanas augstumu norādošie skaitļi jāuzskata tikai par informatīviem. Mauriņa vai grunts stāvokļa dēļ faktiskais zāliena augstums var nedaudz atšķirties no iestatīta augstuma.

PIEZĪME: Lai noregulētu nepieciešamo augstumu, zāles plaušanu izmēģiniet mazāk redzamā vietā.

Zāles līmeņa indikators

Zāles līmeņa indikators norāda nopļautās zāles daudzumu. Ja zāles grozs nav pilns, indikators asmeņu kustības laikā pārvietojas.

- **Att.32:** 1. Zāles līmeņa indikators

Ja zāles grozs ir gandrīz pilns, indikators asmeņu kustības laikā nepārvietojas. Šādā gadījumā nekavējoties pārtrauciet darbu un iztukšojiet grozu.

- **Att.33:** 1. Zāles līmeņa indikators

PIEZĪME: Šā indikatora rādījums ir aptuvens. Groza iekšpusē stāvokļa dēļ indikators var nedarboties pareizi.

Rokturu augstuma regulēšana

▲UZMANĪBU: Pirms bultskrūvju izņemšanas, stingri satveriet augšējo rokturi. Citādi rokturis var nokrist un izraisīt traumu.

Rokturu augstumu var regulēt divos līmeņos.

1. Izskrūvējiet apakšējā roktura augšējās bultskrūves ar galatslēgu 13, tad atskrūvējiet vaļīgāk apakšējās bultskrūves.

- **Att.34:** 1. Augšējā bultskrūve 2. Apakšējā bultskrūve

2. Noregulējiet roktura augstumu un tad cieši pievelciet augšējās un apakšējās bultskrūves.

Pārvietošanās ātruma regulēšana

- **Att.35:** 1. Ātruma svira

Pārvietošanās ātrumu var regulēt ar ātruma sviru. Lai samazinātu ātrumu, velciet sviru uz savu pusi; lai palielinātu ātrumu, griežiet sviru uz priekšu.

Mulčēšanas spraudņa lietošana

Mulčēšanas spraudnis ļauj atgriezt nopļauto zāli zemē, nesavācot to zāles grozā. Darbinot darbarīku, kuram ir uzstādīts mulčēšanas spraudnis, noteikti noņemiet zāles grozu.

IEVĒRĪBA! Lietojot ierīci, kurai ir uzstādīts mulčēšanas spraudnis, pārliecinieties, ka zāles garums pēc griešanas ir vismaz 30 mm un nogrieztais zāles garums ir 15 mm vai mazāk.

- **Att.36:** (1) 30 mm un vairāk (2) 15 mm un mazāk

Iztukšošanas palīgierīces lietošana

Iztukšošanas palīgierīce ļauj nopļaut zāli nomest uz zemes no darbarīka labās puses, nesavācot to zāles grozā. Darbinot darbarīku, kam ir iztukšošanas palīgierīce, noteikti uzstādiēt mulčēšanas spraudni un noņemiet zāles grozu.

Elektronika

Lai atvieglotu lietošanu, ierīce ir aprīkota ar elektroniskām funkcijām.

- Asmens rotācijas nemainīga ātruma uzturēšana Elektroniskā ātruma vadība nemainīga ātruma nodrošināšanai. Nodrošina iespēju iegūt ļoti apstrādātu virsmu, jo apgriezīgu ātrums tiek saglabāts nemainīgs pat lielas slodzes apstākļos.
- Braukšanas laidenā uzsākšana Laidenas ieslēgšanas funkcija mazina iedarbināšanas triecienu, un ierīce uzsāk darbību vienmērīgi.
- Elektrobremze Šis darbarīks ir aprīkots ar elektrobremzi. Ja pastāvīgi notiek tā, ka darbarīka pļaujmašīnas asmeņi pēc slēdža sviras atlaišanas ātri netiek apturēti, nododiet darbarīku remonta veikšanai Makita pilnvarotā servisa centrā.

EKSPLUATĀCIJA

Pļaušana

▲BRĪDINĀJUMS: Pirms pļaušanas no pļaušanas vietas aizvāciet žaģarus un akmeņus. Pļaušanas vietu attīriet arī no nezālēm.

▲BRĪDINĀJUMS: Lietojot pļaujmašīnu, vienmēr valkājiet aizsargbrilles vai brilles ar sānu aizsargiem.

▲UZMANĪBU: Ja nopļautā zāle vai svešķermeņi nobloķē pļaujmašīnas korpusa iekšpusi, izņemiet atslēgu un akumulatora kasetni, un noteikti uzvelciet cimdus, pirms noņemat zāli vai svešķermeņus.

IEVĒRĪBAI: Lietojiet šo ierīci tikai zāles pļaušanai. Neplaujiet ar šo ierīci nezāles.

► Att.37

Pļaušanas laikā cieši ar abām rokām turiet rokturi. Pļaušanas standarta ātrums ir aptuveni 7–14 metri 10 sekundēs.

► Att.38

Priekšējo riteņu centra līnijas ir pļaušanas platuma vadlīnijas. Izmantojot centra līnijas kā vadlīnijas, pļaujiet joslās. Lai zālienu nopļautu līdzīgi, pļaušanas joslai par vienu pusi vai trešdaļu jāpārklājas ar iepriekšējo joslu.

► **Att.39:** 1. Pļaušanas platums 2. Pārklāšanās zona 3. Centra līnija

Pļaušanas virzienu katru reizi mainiet, lai zāles pļāvuma raksts neveidotos tikai vienā virzienā.

► Att.40

Periodiski pārbaudiet nopļauto zāli zāles grozā. Izņemiet zāli no groza, pirms tas piepildās. Pirms regulārajām pārbaudēm apturiet pļaujmašīnu un tad izņemiet atslēgu no pārnēsājamā barošanas bloka ligzdu.

IEVĒRĪBAI: Izmantojot pļaujmašīnu ar pilnu zāles grozu, asmeņi nevarēs brīvi griezties un motoram radīsies papildu slodze, kas var izraisīt bojājumus.

Pļaujot zālienu ar garu zāli

Nemēģiniet uzreiz nopļaut garu zāli. Tā vietā pļaujiet zālienu pakāpeniski. Starp pļaušanas reizēm uzgaidiet vienu vai divas dienas, līdz zāle visur ir vienādi īsa.

► Att.41

PIEZĪME: Ja garu zāli vienā reizē nopļauj pavisam īsu, tā var iznīkt. Nopļautā zāle var iesprūst pļaujmašīnas korpusā.

Zāles groza iztukšošana

▲BRĪDINĀJUMS: Lai nepieļautu negadījumus, regulāri pārbaudiet, vai zāles grozs nav bojāts vai nodilis. Ja nepieciešams, nomainiet zāles grozu.

1. Atlaidiet slēdža sviru un virzīšanas sviru.
2. Izņemiet bloķēšanas atslēgu.
3. Atveriet aizmugurējo pārsegu un aiz roktura izņemiet zāles grozu.
► **Att.42:** 1. Aizmugurējais pārsegs 2. Rokturis 3. Zāles grozs
4. Iztukšojiet zāles grozu.

TEHNISKĀ APKOPE

▲BRĪDINĀJUMS: Pirms pļaujmašīnas glabāšanas vai nešanas vai pirms veicat pārbaudes vai apkopes darbus, no pļaujmašīnas obligāti jāizņem atslēga un pārnēsājama barošanas bloks.

▲BRĪDINĀJUMS: Ja pļaujmašīnu nelietojat, vienmēr izņemiet bloķēšanas atslēgu. Bloķēšanas atslēgu glabājiet drošā, bērniem neaizsniēdzamā vietā.

▲BRĪDINĀJUMS: Veicot pārbaudi vai apkopi, valkājiet cimdus.

▲BRĪDINĀJUMS: Veicot pļaujmašīnas apkopes vai pārbaudes darbus, vienmēr valkājiet aizsargbrilles vai brilles ar sānu aizsargiem.

IEVĒRĪBAI: Nekad neizmantojiet gazoļīnu, benzīnu, atšķaidītāju, spirtu vai līdzīgus šķidrumus. Tas var radīt izbalēšanu, deformāciju vai plaisas.

Lai saglabātu izstrādājuma DROŠU un UZTICAMU darbību, remontdarbus, apkopi un regulēšanu uzticiet veikt tikai Makita pilnvarotam vai rūpnīcas apkopes centram, un vienmēr izmantojiet tikai Makita rezerves daļas.

Apkope

1. Izņemiet atslēgu un pārnēsājamo barošanas bloku.
2. Pļaujmašīnu novietojiet uz sāniem tā, lai pļaušanas augstuma regulēšanas svira atrastos augšpusē. Notīriet zāles atgriezumus, kas sakrājušies pļaujmašīnas apakšā.
3. Ūdeni lejiet virzienā uz ierīces apakšpusi, kur piestiprināts asmens.

IEVĒRĪBAI: Nemazgājiet ierīci ar augstspiediena ūdens strūklu.

4. Pārbaudiet, vai visi uzgriežņi, bultskrūves, skrūves u. c. ir pievilkti cieši.
5. Pārbaudiet, vai kustīgās daļas nav bojātas, salūzušas vai nodilušas. Bojātās vai trūkstošās daļas jāremontē vai jāaizvieto.
6. Glabājiet pļaujmašīnu drošā, bērniem nepieejamā vietā.

IEVĒRĪBAI: Nelejiet ūdeni vietā, kas parādīta attēlā. Ja uz motora bloka uzlīst ūdens, ir iespējami darbarīka darbības traucējumi.

- **Att.43:** 1. Vieta, kur ūdens nedrīkst uzlīst

Pļaujmašīnas pārnēsāšana

Nesot pļaujmašīnu, diviem cilvēkiem jāsatver priekšējais un aizmugures rokturis, kā redzams attēlā.

- **Att.44:** 1. Priekšējais rokturis 2. Aizmugures rokturis

Glabāšana

Glabājiet pļaujmašīnu iekšējās vēsā, sausā un slēgtā vietā. Neglabājiet pļaujmašīnu un lādētāju vietās, kur temperatūra var sasniegt vai pārsniegt 40 °C.

Pļaujmašīnas asmens noņemšana vai uzstādīšana

▲BRĪDINĀJUMS: Asmens pēc slēdža atlaišanas turpina kustēties pēc inerces. Neveiciet nekādas darbības, kamēr asmens nav pilnībā apstājies.

▲BRĪDINĀJUMS: Uzstādot vai noņemot asmeni, vienmēr izņemiet atslēgu un pārnēsājamo barošanas bloku. Neizņemot atslēgu un pārnēsājamo barošanas bloku, var rasties nopietnas traumas.

▲BRĪDINĀJUMS: Rikojoties ar asmeni, vienmēr valkājiet cimdus.

Pļaujmašīnas asmens noņemšana

Modeļiem, kas aprīkoti ar taisnu pļaujmašīnas asmeni

1. Pļaujmašīnu novietojiet uz sāniem tā, lai pļaušanas augstuma regulēšanas svira atrastos augšpusē.
2. Lai bloķētu asmeni, pļaujmašīnas korpusa atverē ievietojiet tapu.
3. Ar galatslēgu 17 grieziet bultskrūvi pretēji pulksteņrādītāju kustības virzienam.
► **Att.45:** 1. Pļaujmašīnas asmens 2. Tapa 3. Galatslēga
4. Izskrūvējiet bultskrūvi un tad noņemiet pļaujmašīnas asmeni.
► **Att.46:** 1. Asmens stiprinājums 2. Pļaujmašīnas asmens 3. Bultskrūve 4. Izvirzījums

IEVĒRĪBAI: Uzstādot pļaujmašīnas asmeni, pārliecinieties, ka izvirzījumi uz asmens stiprinājuma ievietojas atverēs uz pļaujmašīnas asmens.

Modeļiem, kas aprīkoti ar atliektajiem pļaujmašīnas asmeņiem

1. Pļaujmašīnu novietojiet uz sāniem tā, lai pļaušanas augstuma regulēšanas svira atrastos augšpusē.
2. Lai bloķētu pamatnes plāksni, cauri atverei pamatnes plāksnē ievietojiet tapu atverē uz pļaujmašīnas korpusa.
3. Ar galatslēgu 17 grieziet bultskrūvi pretēji pulksteņrādītāju kustības virzienam.
► **Att.47:** 1. Tapa 2. Pamatnes plāksne 3. Galatslēga
4. Izskrūvējiet bultskrūvi un tad noņemiet pamatnes plāksni.
► **Att.48:** 1. Asmens stiprinājums 2. Pamatnes plāksne 3. Skrūve 4. Izvirzījums

IEVĒRĪBAI: Uzstādot pļaujmašīnas asmeņus, pārliecinieties, ka izvirzījumi uz asmens stiprinājuma ievietojas atverēs pamatnes plāksnē.

5. Lai izņemtu atsevišķo pļaujmašīnas asmeni, turiet pamata plāksni un vienlaikus skrūvējiet bultskrūvi pretēji pulksteņrādītāju kustības virzienam ar galatslēgu 17.
► **Att.49:** 1. Pamatnes plāksne 2. Pļaujmašīnas asmens 3. Galatslēga
6. Noņemiet uzgriežņi, paplāksni, atsperpaplāksni, pļaujmašīnas asmeni un bultskrūvi, ievērojot norādīto secību.
► **Att.50:** 1. Bultskrūves atvere 2. Bultskrūve 3. Pļaujmašīnas asmens 4. Atsperpaplāksne 5. Paplāksne 6. Uzgriežnis

IEVĒRĪBAI: Uzgriežņu pievilksanai, kad uzstādāt atsevišķos pļaujmašīnas asmeņus, piemērojiet 30 N·m pievilksanas spēku.

IEVĒRĪBAI: Uzstādot atsevišķo pļaujmašīnas asmeni, noteikti uzstādiet atsperpaplāksni tādā virzienā, kā norādīts attēlā.

IEVĒRĪBAI: Uzstādot atsevišķo pļaujmašīnas asmeni, noteikti ievietojiet bultskrūves to atverēs tā, kā redzams attēlā.

Pļaujmašīnas asmens uzstādīšana

▲BRĪDINĀJUMS: Uzmanīgi uzstādiet pļaujmašīnas asmeni. Tam ir augšējā/apakšējā virsma.

▲BRĪDINĀJUMS: Cieši pievelciet bultskrūvi pulksteņrādītāju kustības virzienā, lai nostiprinātu asmeni.

▲BRĪDINĀJUMS: Pārlicinieties, ka pļaujmašīnas asmens un visas fiksējošās daļas ir pareizi uzstādītas un cieši pievilktas.

▲BRĪDINĀJUMS: Nomainot asmeņus, vienmēr izpildiet šajā rokasgrāmatā ietvertos norādījumus.

IEVĒRĪBAI: Pēc pļaujmašīnas asmeņu uzstādīšanas izņemiet tapu no pļaujmašīnas korpusa.

Lai uzstādītu pļaujmašīnas asmeņus, noņemšanas darbības izpildiet pretēja secībā.

PROBLĒMU NOVĒRŠANA

Pirms vienošanās par remontu vispirms veiciet savu pārbaudi. Ja konstatējat problēmu, kas rokasgrāmatā nav aprakstīta, nemēģiniet izjaukt darbarīku. Tā vietā vērsieties Makita pilnvarotā servisa centrā un remontam vienmēr izmantojiet tikai Makita rezerves daļas.

| Neatbilstošas darbības stāvoklis | Iespējamais iemesls (kļūme) | Risinājums |
|--|---|---|
| Pļaujmašīna nesāk darboties. | Nav ievietots akumulators. | Ievietojiet uzlādētu akumulatoru. |
| | Akumulatora kļūme (zems spriegums) | Uzlādējiet akumulatoru. Ja uzlāde neizdodas, nomainiet akumulatoru. |
| | Nav ievietota bloķēšanas atslēga. | Ievietojiet bloķēšanas atslēgu. |
| Motors izslēdzas pēc neilgas darbināšanas. | Akumulatora uzlādes līmenis ir par zemu. | Uzlādējiet akumulatoru. Ja uzlāde neizdodas, nomainiet akumulatoru. |
| | Griešanas augstums ir par mazu. | Palieliniet griešanas augstumu. |
| | Nopļautā zāle ir sakrājušies pļaujmašīnā. | Iztīriet sakrājušos zāli no pļaujmašīnas. |
| Motors nesasniedz maksimālo apgriezumu skaitu minūtē. | Nepareizi ievietots akumulators. | Ievietojiet akumulatoru atbilstoši norādījumiem šajā instrukcijā. |
| | Samazinās akumulatora jauda. | Uzlādējiet akumulatoru. Ja uzlāde neizdodas, nomainiet akumulatoru. |
| | Piedziņas sistēma nedarbojas pareizi. | Lūdziet veikt remontu vietējā pilnvarotā apkopes centrā. |
| Pļaujmašīnas asmens negriežas: ⇒ nekavējoties apturiet pļaujmašīnu! | Pie asmens iesprūdis kāds svešķermenis, piemēram, zars. | Izņemiet svešķermeni. |
| | Piedziņas sistēma nedarbojas pareizi. | Lūdziet veikt remontu vietējā pilnvarotā apkopes centrā. |
| Pārmērīga vibrācija: ⇒ nekavējoties apturiet pļaujmašīnu! | Asmens nav nolīmenots, ir pārmērīgi vai nevienmērīgi nodilis. | Nomainiet asmeni. |

PAPILDU PIEDERUMI

▲UZMANĪBU: Kopā ar šajā rokasgrāmatā aprakstīto Makita darbarīku ieteicams izmantot norādītos piederumus vai palīgierīces. Izmantojot citus piederumus vai palīgierīces, var izraisīt traumas. Piederumu vai palīgierīci izmantojiet tikai paredzētajam nolūkam.

Ja jums vajadzīga palīdzība vai precīzāka informācija par šiem piederumiem, vērsieties savā tuvākajā Makita apkopes centrā.

- Pļaujmašīnas asmens
- Makita oriģinālais akumulators un lādētājs

PIEZĪME: Daži sarakstā norādītie izstrādājumi var būt iekļauti izstrādājuma komplektācijā kā standarta piederumi. Tie dažādās valstīs var būt atšķirīgi.

SPECIFIKACIJOS

| | | |
|--|---|---------------------------------|
| Modelis: | | LM001C |
| Pjovimo plotis (peilio skersmuo) | | 534 mm |
| Be apkrovos | Normalus režimas | 2 800 min ⁻¹ |
| | Švelnus režimas be apkrovos | 2 300 – 2 800 min ⁻¹ |
| | Triukšmą mažinantis režimas | 2 300 min ⁻¹ |
| Pakaitinio vejjaprovės peilio dalies numeris | Tiesus vejjaprovės peilis | 191D52-7 |
| | Atšokantys vejjaprovės peiliai *1 | 191D50-1 |
| | Atšokantys vejjaprovės peiliai *2 | 191D48-8 |
| Matmenys (I x P x A) | L: nuo 1 630 mm iki 1 715 mm W: 590 mm H: nuo 990 mm iki 1 095 mm | |
| Važiavimo greitis | 2,5–5,0 km/h | |
| Nominali įtampa | Nuolatinė 36 V – 40 V maks. | |
| Grynasis svoris | Kai sumontuotas tiesus vejjaprovės peilis | 42,1 - 48,9kg |
| | Kai sumontuoti atšokantys vejjaprovės peiliai | 42,8–49,5 kg |
| Apsaugos laipsnis | IPX4 | |

*1. Pagrindo plokštelė ir pavieniai vejjaprovės peiliai.

- Atliekame tęstinus tyrimus ir nuolatos tobuliname savo gaminius, todėl čia pateikiamos specifikacijos gali būti keičiamos be įspėjimo.
- Skirtingose šalyse specifikacijos gali skirtis.
- Svoris gali priklausyti nuo priedo (-ų), įskaitant akumulatoriaus kasetę. Lengviausias ir sunkiausias deriniai pagal EPTA 2014 m. sausio mėn. procedūrą yra parodyti lentelėje.

*2. Tik pavieniai vejjaprovės peiliai.

Taikytinas nešiojamasis maitinimo šaltinis

PDC1200 / PDC01

ĮSPĖJIMAS: Naudokite tik pirmiau nurodytus nešiojamuosius maitinimo šaltinius. Naudojant bet kuriuos kitus nešiojamuosius maitinimo šaltinius, gali kilti sužeidimo ir (arba) gaisro pavojus.

Simboliai

Toliau yra nurodyti simboliai, kurie gali būti naudojami įrangai. Prieš naudodami įsitikinkite, kad suprantate jų reikšmę.

| | |
|--|--|
| | Būkite itin atsargūs ir dėmesingi. |
| | Perskaitykite instrukcijų vadovą. |
| | Pavojus; saugokitės skriejančių objektų. |
| | Tarp įrankio ir šalia esančių žmonių turi būti bent 15 m atstumas. |
| | Laikykite rankas ir pėdas atokiai nuo vejjaprovės apacioje esančių peilių. Išjungus variklį, peiliai dar kurį laiką sukasi. |
| | Prieš atlikdami tikrinimo, reguliavimo, valymo ir techninės priežiūros darbus, taip pat prieš palikdami vejjaprovę be priežiūros ir pastatydami ją į saugojimo vietą, ištraukite spynos raktą. |



Su elektros įranga susijęs pavojus. Šalytis su vandeniu gali sukelti elektros smūgį.



Nepilkite vandens.



Laidą tvirtinkite tik prie laido laikiklio.



Taikoma tik ES šalims
Kadangi įrangoje yra pavojingų komponentų, panaudota elektroninė ir elektroninė įranga, akumulatoriai ir baterijos gali turėti neigiamo poveikio aplinkai ir žmonių sveikatai.

Nešalinkite elektros ir elektroninių prietaisų ar baterijų kartu su buitinėmis atliekomis! Pagal Europos direktyvą dėl elektros ir elektroninės įrangos atliekų bei akumulatorių ir baterijų ir panaudotų akumulatorių ir baterijų bei jos pritaikymą nacionaliniams įstatymams, panaudota elektros ir elektroninė įranga, baterijos ir akumulatoriai turi būti surenkami atskirai ir pristatomi į atskirą buitinių atliekų surinkimo punktą, kuris veikia pagal aplinkos apsaugos taisyklės. Tai rodo perbrauktas konteinerio ant ratukų simbolis, pateiktas ant įrangos.

Numatytoji naudojimo paskirtis

Įrenginys skirtas tik vejai pjauti.

Apie šią naudojimo instrukciją

Terminas „akumulatorius“ ar „akumulatoriaus kasetė“ šioje naudojimo instrukcijoje reiškia:

- nešiojamąjį maitinimo šaltinį;
- nešiojamąjį maitinimo šaltinį, į kurį dedamos akumulatoriaus kasetės;
- akumulatoriaus kasetę, kuri dedama į nešiojamąjį maitinimo šaltinį.

Triukšmas

Įprastas triukšmo A lygis, nustatytas pagal EN60335-2-77:

PASTABA: Vertės buvo nustatytos naudojant veļapjovę su tiesiu veļapjovės peiliu.

Garso slėgio lygis (L_{pA}): 80,0 dB (A)
Garso galios lygis (L_{WA}): 91,2 dB (A)
Paklaida (K): 3 dB (A)

Dirbant triukšmo lygis gali viršyti 80 dB (A).

PASTABA: Paskelbta (-os) triukšmo reikšmė (-ės) nustatyta (-os) pagal standartinį testavimo metodą ir jį galima naudoti vienam įrankiui palyginti su kitu.

PASTABA: Paskelbta (-os) triukšmo reikšmė (-ės) taip pat gali būti naudojama (-os) norint preliminariai įvertinti triukšmo poveikį.

▲ISPĖJIMAS: Dėvėkite ausų apsaugą.

▲ISPĖJIMAS: Faktiškai naudojant elektrinį įrankį, keliamo triukšmo dydis gali skirtis nuo paskelbtos (-ų) reikšmės (-ių), priklausomai nuo būdų, kuriais yra naudojamas šis įrankis, ir ypač nuo to, kokio tipo ruošinys apdirbamas.

▲ISPĖJIMAS: Siekdami apsaugoti operatorių, būtinai įvertinkite saugos priemones, remdamiesi vibracijos poveikio įvertinimu esant faktinėms naudojimo sąlygoms (atsižvelgdami į visas darbo ciklo dalis, pavyzdžiui, ne tik kiek laiko įrankis veikia, bet ir kiek kartų jis yra išjungiamas bei kai jis veikia be apkravų).

Vibracija

Vibracijos bendroji vertė (triacio vektorius suma) nustatyta pagal EN60335-2-77 standartą:

PASTABA: Vertės buvo nustatytos naudojant veļapjovę su tiesiu veļapjovės peiliu.

Vibracijos emisija (a_{hv}): 2,5 m/s² arba mažiau
Paklaida (K): 1,5 m/s²

PASTABA: Paskelbta (-os) vibracijos bendroji (-osios) reikšmė (-ės) nustatyta (-os) pagal standartinį testavimo metodą ir jį galima naudoti vienam įrankiui palyginti su kitu.

PASTABA: Paskelbta (-os) vibracijos bendroji (-osios) reikšmė (-ės) taip pat gali būti naudojama (-os) norint preliminariai įvertinti vibracijos poveikį.

▲ISPĖJIMAS: Faktiškai naudojant elektrinį įrankį, keliamos vibracijos dydis gali skirtis nuo paskelbtos (-ų) reikšmės (-ių), priklausomai nuo būdų, kuriais yra naudojamas šis įrankis, ir ypač nuo to, kokio tipo ruošinys apdirbamas.

▲ISPĖJIMAS: Siekdami apsaugoti operatorių, būtinai įvertinkite saugos priemones, remdamiesi vibracijos poveikio įvertinimu esant faktinėms naudojimo sąlygoms (atsižvelgdami į visas darbo ciklo dalis, pavyzdžiui, ne tik kiek laiko įrankis veikia, bet ir kiek kartų jis yra išjungiamas bei kai jis veikia be apkravų).

EB atitikties deklaracija

Tik Europos šalims

EB atitikties deklaracija yra pridedama kaip šio instrukcijų vadovo A priedas.

SAUGOS ĮSPĖJIMAI

SVARBIOS SAUGOS INSTRUKCIJOS

▲ISPĖJIMAS: Perskaitykite visus saugos įspėjimus ir visą instrukciją. Nesilaikydami toliau pateiktų įspėjimų ir instrukcijų galite patirti elektros smūgį, gaisrą ir (arba) sunkų sužeidimą.

Išsaugokite visus įspėjimus ir instrukcijas, kad galėtumėte jas peržiūrėti ateityje.

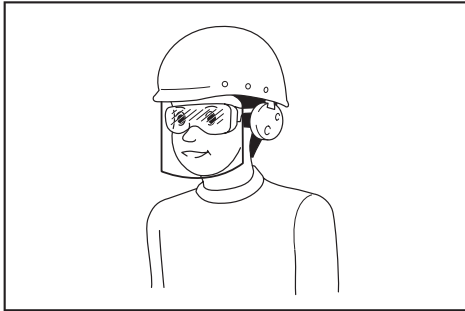
Mokymas

1. Atidžiai perskaitykite šią instrukciją. Nuodugniai susipažinkite su valdikliais ir išsiaiškinkite, kaip tinkamai naudoti veļapjovę.
2. Niekuomet neleiskite veļapjovės naudoti vaikams arba su šia instrukcija nesusipažinusiems žmonėms. Operatoriaus amžius gali būti reglamentuojamas vietinių įstatymų.
3. Niekuomet nenaudokite veļapjovės, jei netoliese yra žmonių, ypač vaikų ar naminių gyvūnų.
4. Atminkite, kad operatorius yra atsakingas už nelaimingus atsitikimus ar nelaimes, atsitikusias kitiems žmonėms, arba jų turtui padarytą žalą.
5. Būtina prižiūrėti vaikus, kad jie nežaistų su veļapjove.
6. Fizinės sąlygos – nenaudokite veļapjovės, jeigu esate apsvaigę nuo alkoholio, narkotikų arba kokių nors vaistų.

Pasiruošimas

1. Naudodami veļapjovę, visuomet avėkite tvirtą avalynę ir mūvėkite ilgas kelnes. Niekuomet nedirbkite veļapjove, jeigu esate basi arba avite atvirus sandalus. Nedėvėkite laisvų drabužių ir kabančių papuošalų, nesurištų virvelių arba kaklaraiščių. Juos gali įtraukti judančios dalys.
2. Prieš naudodami veļapjovę, visada apžiūrėkite, ar ji nepažeista, ar netrūksta apsauginių įtaisų ir skydų, ar jie tinkamai uždėti.

3. Prieš padėdami pjauti žolę, įsitikinkite, ar toje vietoje nėra kitų žmonių. Išjunkite vejąpjavę, jeigu į darbo vietą kas nors ateina.
4. Nekiškite blokavimo raktelio į vejąpjavę, kol ji nebus paruošta naudoti.
5. Visada naudodami elektrinius įrankius užsidėkite apsauginius akinius, kad apsaugotumėte savo akis nuo sužalojimų. Akiniai turi atitikti ANSI Z87.1 reikalavimus JAV, EN 166 reikalavimus Europoje arba AS/NZS 1336 reikalavimus Australijoje / Naujojoje Zelandijoje. Australijoje / Naujojoje Zelandijoje taip pat teisiškai privaloma naudoti veido skydelį.



Darbdavys privalo užtikrinti, kad įrankio operatoriai ir kiti šalia jo darbo vietos esantys asmenys naudotų tinkamas apsaugos priemones.

6. Prieš naudodami patikrinkite peilius arba peilių varžtus, ar nėra įtrūkimų ar pažeidimų. Nedelsdami pakeiskite įtrūkusius arba pažeistus peilius arba peilių varžtus.
7. Prieš pradėdami pjauti žolę, surinkite nuo vejos pašalinius daiktus, pavyzdžiui, akmenis, laidus, butelius, kaulus ir dideles šakas, kad nesusižeistumėte ir nesugadintumėte vejąpjavės.
8. Vejąpjavės peilio užkliudyti objektai gali sunkiai sužaloti. Prieš kiekvieną vejos pjovimą, veją visada reikia atidžiai apžiūrėti ir surinkti nuo jos visus daiktus.
9. Saugokitės duobių, provėžų, nelygumų, akmenų ir kitų nematomų objektų. Nelygioje vietoje galima paslysti ir griūti. Aukšta žolė gali slėpti kliūtis.
10. Nekiškite ir neišimkite blokavimo raktelį lyjant.
11. Naudokite asmenines saugos priemones. Visada naudokite akių apsaugos priemones. Apsauginės priemonės, pavyzdžiui, respiratorius, apsauginiai batai neslidžiais padais, šalmas ar ausų apsaugos, naudojamos atitinkamomis sąlygomis, sumažina susižeidimo pavojų.

Naudojimas

1. Nepersisverkite. Visuomet išlaikykite pusiausvyrą. Dirbdami nuokalnėse, visada tvirtai stovėkite. Vaikščiokite, o ne bėgiokite.
2. Išjunkite vejąpjavę, ištraukite blokavimo raktelį ir įsitikinkite, kad visos judamosios dalys visiškai sustojo:
 - kai paliekate vejąpjavę be priežiūros,
 - prieš pradėdami valyti užsikimšimus arba prieš atkimšdami išmetimo lataką,
 - prieš tikrindami, valydami arba dirbdami vejąpjavę,

– užkliudę pašalinį objektą. Prieš vėl įjungdami vejąpjavę ir pradėdami dirbti, apžiūrėkite, ar nėra gedimų, ir juos pašalinkite;

- jeigu vejąpjavė pradeda neįprastai vibruoti.
3. Niekada nenaudokite vejąpjavės su pažeistais apsauginiais skydais arba gabtais ar be tinkamai sumontuotų saugos įtaisų, pavyzdžiui, kreiptuvų ir (arba) žolės surinkimo krepšio.
 4. Vejąpjavės nenaudokite esant blogam orui ir ypač tada, kai gali žaibuoti.
 5. Naudodami vejąpjavę, visada dėvėkite akių apsaugos priemones ir avėkite tvirtus batus.
 6. Vejąpjavę naudokite tik dienos metu arba esant geram dirbtiniam apšvietimui.
 7. Atsargiai įjunkite vejąpjavę, kaip nurodyta instrukcijose; pėdos turi būti pakankamu atstumu nuo peilio (-ių).
 8. Saugokitės, kad vejąpjavės peilis nesužeistų kojų ir rankų.
 9. Ventilacijos angos visą laiką turi būti atviros ir švarios.
 10. Pjaukite žolę, važiuodami nuokalnėmis aukštyrni žemyn, o ne skersai. Keisdami kryptis nuokalnėse, būkite itin atsargūs. Nepjaukite žolės pernelyg stačiose nuokalnėse.
 11. Būkite itin atsargūs, važiuodami atbuline eiga arba traukdami vejąpjavę savęs link.
 12. Sustabdykite peilį (-ius), jeigu vejąpjavę reikia paversti, kad ją galima būtų perkelti per žolę neapaugusius paviršius, ir gabendami vejąpjavę iš vietos, kurioje ji buvo naudojama, ir į tą vietą, kurioje ji bus naudojama.
 13. Paleisdami variklį, vejąpjavės nepakreipkite, išskyrus tą atvejį, jeigu vejąpjavę reikia pakreipti, kad ją būtų galima paleisti. Tokiu atveju pakreipkite ją tik tiek, kiek tai visiškai būtina, ir kelkite tik tą dalį, kuri yra nukreipta tolyn nuo operatoriaus. Prieš nuleisdami vejąpjavę ant žemės, visada užtikrinkite, kad abi rankos būtų darbinėje padėtyje.
 14. Nekiškite rankų ar kojų artyn prie besisukančių dalių arba po jomis. Visada stovėkite atokiai nuo išmetimo angos.
 15. Negabenkite veikiančios vejąpjavės.
 16. Vejąpjavę nepjaukite šlapios žolės.
 17. Visada tvirtai laikykite rankeną.
 18. Paimdami arba laikydami vejąpjavę, neimkite už atvirų pjovimo peilių arba pjovimo briaunų.
 19. Laikykite pėdas ir rankas atokiai nuo besisukančių peilių. Dėmesio – išjungus vejąpjavę, pjovimo peiliai dar sukasi iš inercijos.
 20. Pastebėję ką nors neįprasto, tučtuojau nutraukite darbą. Išjunkite vejąpjavę ir ištraukite blokavimo raktelį. Tada apžiūrėkite vejąpjavę.
 21. Nereguliuokite pjovimo aukščio, kai vejąpjavė veikia, jei vejąpjavę turi pjovimo aukščio reguliavimo funkciją.
 22. Prieš kirsdami kelius, takus, vieškelius ir bet kokias žvyru padengtas vietas, atleiskite svertinį jungiklį ir palaukite, kol peiliai nebesuks. Taip pat ištraukite blokavimo raktelį, jeigu vejąpjavę paliekate be priežiūros, jeigu siekiate kažką pakelti arba patraukti iš kelio, arba dėl bet kokios kitos priežasties, kuri gali atitraukti jus nuo atliekamo darbo.

23. Jeigu vejamovė užkliudo pašalinį objektą, atlikite šiuos veiksmus:
 - Išjunkite vejamovę, atleiskite svirtinį jungiklį ir palaukite, kol peilis visiškai sustos.
 - Ištraukite blokavimo raktelį ir išimkite akumuliatoriaus kasetę.
 - Apžiūrėkite vejamovę, ar ji neapgadinta.
 - Pakeiskite peilį, jeigu jis kaip nors apgadintas. Prieš užvesdami ir toliau naudodami vejamovę, pašalinkite bet kokius gedimus.
24. Neužveskite vejamovės variklio, stovėdami priešais išmetimo angą.
25. Jeigu vejamovė pradeda neįprastai vibruoti, nedelsdami
 - patikrinkite, ar nėra gedimo;
 - pakeiskite arba pataisykite bet kurias sugadintas dalis;
 - patikrinkite ir priveržkite visas atsilaisvinusias dalis.
26. Išmetamos medžiagos niekada nenukreipkite į kitus žmones. Stenkitės nemesti medžiagos sienos ar kliūties link. Medžiaga gali atskoti atgal operatoriaus link. Kirsdami žvyruotus paviršius, sustabdykite peilį.
27. Vejamovės netraukite atgal, nebent tai būtų būtina. Kai vejamovę tenka atitraukti nuo tvoros ar kitos panašios kliūties ir prieš eidami atbulomis, pasižiūrėkite žemyn ir atgal.
28. Prieš nuimdami žolės gaudyklę, išjunkite variklį ir palaukite, kol peilis visiškai nustos sukstis. Turėkite omenyje, kad išjungus vejamovę, peiliai dar sukasi iš inercijos.
29. Kai naudojate mašiną ant purvinos dirvos, drėgno nuolydžio ar slidžios vietos, atkreipkite dėmesį į pagrindą po kojomis.
30. Venkite dirbti netinkamoje aplinkoje, kurioje tikėtina, kad naudotojas labiau pavargs.
31. Nenaudokite mašinos prastu oru, kai matomumas ribotas. To nepadarius, dėl silpno matomumo galite apversti mašiną arba ji gali netinkamai veikti.
32. Nenaudokite mašinos balose.
33. Jei lyjant prie siurbimo angos (ventiliacijos langelio) prilipo drėgnas lapas ar purvas, pašalinkite juos.
34. Nenaudokite mašinos ant sniego.
35. Jei nupjauta žolė yra šlapia, ji gali užkimšti mašinos vidų. Reguliariai tikrinkite mašinos būklę ir prirėikus šalinkite susikaupusią žolę.
36. Naudodami mašiną atkreipkite dėmesį į vamzdelius ir laidus.

Techninė priežiūra ir laikymas

1. Saugumo sumetimais pakeiskite nusidėvėjusias arba sugadintas dalis. Prirėikus priedų arba atsarginių dalių, naudokite tik originalias dalis.
2. Vejamovę reguliariai apžiūrėkite ir sutvarkykite.
3. Nenaudojamą vejamovę laikykite vaikams nepasiekiamoje vietoje.
4. Visos varžlės, varžtai ir sraigčiai turi būti tvirtai prisukti, kad būtų užtikrintos saugios įrenginio darbo sąlygos.
5. Dažnai tikrinkite, ar žolės surinkimo krepšys nesusidėvėjęs ir yra tinkamos būklės. Prieš pastatydami įrenginį, būtina išuštinkite žolės surinkimo krepšį. Norėdami užtikrinti saugą, nusidėvėjusį žolės surinkimo krepšį pakeiskite nauju originaliu atsarginiu krepšiu.

6. Naudokite tik šioje instrukcijoje nurodytus originalius peilius.
7. Reguliuodami vejamovę būkite atsargūs, kad pirštų neįtrauktų judantys peiliai ir nejudančios jos dalys.
8. Dažnai tikrinkite, ar tinkamai priveržti peilių montavimo varžtai.
9. Prieš pastatydami vejamovę į saugojimo vietą, palaukite, kol ji visiškai atvės.
10. Prieš pradėdami peilių techninės priežiūros darbus, nepamirškite, kad nors mašinomis šalintis yra išjungtas, peiliai vis tiek gali sukstis.
11. Niekada nenuimkite ir negadinkite apsauginių įtaisų. Reguliariai tikrinkite, ar jie gerai veikia. Nedarykite nieko, kas apsauginiam įtaisui trukdytų atlikti jo funkciją ar sumažintų jo suteikiamą apsaugą.
12. Nepalikite mašinos lauke lyjant.
13. Neplaukite mašinos aukšto slėgio vandeniu.
14. Plaudami įrenginį, būtina išimkite akumuliatorių ir blokavimo raktą ir pilkite vandenį įrenginio apačios link, kur pritvirtintas peilis.
15. Mašinos laikymo vietoje neturėtų būti tiesioginių saulės spindulių ir lietaus; laikykite ją ten, kur ji nesušlaps ir neįkasis.
16. Atlikite patikrinimą ar techninę priežiūrą ten, kur galima išvengti lietaus.
17. Baigę naudoti mašiną, prieš statydami ją sandėliuoti, pašalinkite prikibusius nešvarumus ir visiškai išdžiovinkite mašiną. Priklausomai nuo sezono arba regiono, dėl užšalimo mašina gali sugesti.

Akumulatorinio įrankio naudojimas ir priežiūra

1. Įkraukite naudodami tik gamintojo nurodytą įkroviklį. Įkroviklis, kuris tinka vienam akumuliatorių tipui įkrauti, gali kelti gaisro pavojų, jei bus naudojamas su kitų tipų akumuliatoriais.
2. Elektrinius įrankius naudokite tik su specialiai jiems skirtais akumuliatoriais. Naudojant bet kurį kitą akumuliatorių gali kilti sužeidimo ir gaisro pavojus.
3. Kai akumuliatorius nėra naudojamas, laikykite jį toliau nuo kitų metalinių daiktų, pavyzdžiui, popieriaus sąvaržėlių, monetų, raktų, vinių, varžtų ir kitų mažų metalinių daiktų, tų kurių gali kilti trumpasis jungimas tarp kontaktų. Akumuliatorių kontaktų trumpasis jungimas gali būti nudegimų arba gaisro priežastimi.
4. Netinkamai naudoti iš akumuliatoriaus gali ištėkėti skysčio. Venkite sąlyčio su juo. Jei sąlytis atsitiktinai įvyko, gausiai nuplaukite vandeniu. Jei skysčio pateko į akis, kreipkitės į gydytoją. Iš akumuliatoriaus išbėgęs skystis gali sudirginti arba nudeginti odą.
5. Nenaudokite sugadinto ar modifikuoto akumuliatoriaus arba įrankio. Sugadinti arba modifikuoti akumuliatoriai gali veikti neįprastai, todėl gali kilti gaisras, sprongimas arba sužalojimo rizika.
6. Saugokite akumuliatorių arba įrankių nuo ugnies ar pernelyg aukštos temperatūros. Dėl ugnies ar 130 °C viršijančios temperatūros gali kilti sprongimas.
7. Laikykites visų įkrovimo nurodymų ir nekraukite akumuliatoriaus ar įrankio, kai temperatūra neatitinka nurodymuose pateikto temperatūros intervalo. Netinkamai įkraunant arba įkraunant esant kitam nei nustatytas temperatūros intervalui, gali būti sugadintas akumuliatorius ar padidėti gaisro rizika.

Elektros ir akumulatoriaus sauga

1. **Nemeskite akumulatoriaus (-ių) į ugnį.** Akumulatoriaus elementas gali sprogti. Pasitikrinkite, ar vietiniai įstatymai nenurodo specialaus išmetimo būdo.
2. **Neatidarykite ir neardykite akumulatoriaus (-ių).** Ištekėjęs elektrolitas yra ēsdinančioji medžiaga, kuri gali pažeisti akis ar odą. Nurytas jis gali apnuodyti.
3. **Nenaudokite akumulatoriaus lyjant arba drēgnose vietose.**
4. **Nekraukite akumulatoriaus lauke.**
5. **Neimkite įkroviklio, įskaitant įkroviklio kištuką ir gnybtus, drēgnomis rankomis.**
6. **Nekeiskite akumulatoriaus lyjant.**
7. **Negalima šlapinti akumulatoriaus gnybtų skysčiu, pvz., vandeniu, arba panardinti akumulatoriaus. Nepalikite akumulatoriaus lietuje, neįkraukite, nenaudokite ir nekeiskite akumulatoriaus šlapioje arba drēgnoje vietoje.** Jei gnybtas sušlampa arba į akumulatoriaus vidų patenka skysčio, gali kilti trumpasis akumulatoriaus jungimas ir perkaitimo, gaisro arba sproginimo pavojus.
8. **Išėmę akumuliatorių iš mašinos arba įkroviklio, būtinai uždėkite akumulatoriaus dangtelį ant akumulatoriaus ir laikykite jį sausoje vietoje.**
9. **Nekeiskite akumulatoriaus šlapiomis rankomis.**
10. **Jeigu akumulatoriaus kasetė sudrēksta, pašalinkite vandenį iš vidaus ir tuomet išvalykite sausa šluoste. Prieš naudodami, visiškai išdžiovinkite akumulatoriaus kasetę sausoje vietoje.**
11. **Nedirbkite pavojingomis sąlygomis. Nenaudokite šio įrenginio drēgnoje arba šlapioje vietoje, saugokite jį nuo lietaus. Į įrenginį patekęs vanduo padidins elektros smūgio pavojų.**

Techninė priežiūra

1. **Tegu jusų elektrinio įrankio techninę priežiūrą atlieka kvalifikuotas remonto meistras, naudodamas tik identiškas atsargines dalis.** Tai užtikrina, kad elektrinis įrankis liks saugus naudoti.
2. **Niekada neatlikite pažeistų akumuliatorių techninės priežiūros.** Akumuliatorių techninę priežiūrą turi atlikti tik gamintojas arba įgaliotieji techninės priežiūros paslaugų teikėjai.

SAUGOKITE ŠIAS INSTRUKCIJAS.

⚠ SPĖJIMAS: NELEISKITE, kad patogumas ir gaminio pažinimas (įgyjamas pakartotinai naudojant) susilpnintų griežtą saugos taisyklių, taikytinų šiam gaminiui, laikymąsi.

Dėl NETINKAMO NAUDOJIMO arba saugos taisyklių, kurios pateiktos šioje instrukcijoje, nesilaikymo galima rimtai susižeisti.

Svarbios saugos instrukcijos, taikomos akumulatoriaus kasetei

1. **Prieš naudodami akumulatoriaus kasetę, perskaitykite visas instrukcijas ir perspėjimus ant (1) akumuliatorių įkroviklio, (2) akumuliatorių ir (3) akumuliatorių naudojančio gaminio.**
2. **Neardykite ir negadinkite akumulatoriaus kasetės.** Dėl to ji gali užsidegti, per daug įkaisti arba sprogti.
3. **Jeį įrankio darbo laikas žymiai sutrumpėjo, nedelsdami nutraukite darbą su įrankiu. Tai gali kelti perkaitimo, nudegimų ar net sproginimo pavojų.**
4. **Jeį elektrolitas pateko į akis, plaukite jas tyru vandeniu ir nedelsdami kreipkitės į gydytoją. Gali kilti regėjimo praradimo pavojus.**
5. **Neužtrumpinkite akumulatoriaus kasetės:**
 - (1) Nelieskite kontaktų degiomis medžiagomis.
 - (2) Venkite laikyti akumulatoriaus kasetę kartu su kitais metaliniais daiktai, pavyzdžiui, vinimis, monetomis ir pan.
 - (3) Saugokite akumulatoriaus kasetę nuo vandens ir lietaus.**Trumpasis jungimas akumulatoriuje gali sukelti stiprią srovę, perkaitimą, galimus nudegimus ar net akumulatoriaus gedimą.**
6. **Nelaikykite ir nenaudokite įrankio ir akumulatoriaus kasetės vietose, kur temperatūra gali pasiekti ar viršyti 50 °C (122 °F).**
7. **Nedeginkite akumulatoriaus kasetės, net jei yra stipriai pažeista ar visiškai susidėvėjusi. Ugnyje akumulatoriaus kasetę gali sprogti.**
8. **Akumulatoriaus kasetės nekalkite, nepjaustykite ir nemėtykite ir taip pat į ją netrunkykite kietu daiktu. Taip elgiantis, ji gali užsidegti, per daug įkaisti arba sprogti.**
9. **Nenaudokite pažeisto akumulatoriaus.**
10. **Įdėdams ličio jonų akumulatoriams taikomi Pavojingų prekių teisės akto reikalavimai.** Komercinis transportas, pvz., trečiųjų šalių, prekių vežimui atstovų, turi laikytis specialaus reikalavimo ant pakuotės ir ženklavimo.
Norėdami paruošti siųstiną prekę, pasitarkite su pavojingų medžiagų specialistu. Be to, laikykitės galimai išsamesnių nacionalinių reglamentų. Užklijuokite juosta arba padenkite atvirus kontaktus ir supakuokite akumuliatorių taip, kad jį pakuotėje nejudėtų.
11. **Kai išmetate akumulatoriaus kasetę, išimkite ją iš įrankio ir išmeskite saugioje vietoje. Vadovaukitės vietos reglamentais dėl akumuliatorių išmetimo.**
12. **Baterijas naudokite tik su „Makita“ nurodytais gaminiais.** Baterijas įdėjus į netinkamus gaminius gali kilti gaisras, gaminys pernelyg įkaisti, kilti sproginimas arba pratekėti elektrolitas.
13. **Jeį įrankis bus ilgą laiką nenaudojamas, akumuliatorių būtina išimti iš įrankio.**
14. **Darbo metu ir po akumulatoriaus kasetę gali būti įkaitusi ir dėl to nudeginti. Imdami akumulatoriaus kasetes, būkite atsargūs.**
15. **Tuoju pat po naudojimo nelieskite įrankio gnybtų, nes jie gali būti įkaitę tiek, kad nudegins.**
16. **Nelieskite, kad į akumulatoriaus kasetės gnybtus, angas ir griovelius patektų drožlių, dulkių ar žemių. Dėl to įrankis ar akumulatoriaus kasetė gali imti prastai veikti ar sugesti.**

- Jeigu įrankis nėra pritaikytas naudoti šalia aukštos įtampos elektros linijų, akumuliatoriaus kasetės nenaudokite šalia aukštos įtampos elektros linijų. Dėl to gali sutrikti įrankio ar akumuliatoriaus kasetės veikimas arba jie gali sugesti.
- Laikykite akumuliatorių vaikams nepasiekiamoje vietoje.

SAUGOKITE ŠIAS INSTRUKCIJAS.

▲PERSPĖJIMAS: Naudokite tik originalų „Makita“ akumuliatorių. Neoriginalaus „Makita“ arba pakeisto akumuliatoriaus naudojimas gali nulemti gaisrą, asmens sužalojimą ir pažeidimą. Tai taip pat panaikina „Makita“ suteikiamą „Makita“ įrankio ir įkroviklio garantiją.

Patarimai, ką daryti, kad akumuliatorius veiktų kuo ilgiau

- Pakraukite akumuliatoriaus kasetę prieš jai visiškai išsikraunant. Visuomet nustokite naudoti įrankį ir pakraukite akumuliatoriaus kasetę, kai pastebite, kad įrankio galia sumažėjo.
- Niekada nekraukite iki galo įkrautos akumuliatoriaus kasetės. Perkraunant trumpėja akumuliatoriaus eksploatacijos laikas.
- Akumuliatoriaus kasetę kraukite esant kambario temperatūrai 10 - 40 °C. Prieš pradėdami krauti, leiskite įkaitusiai akumuliatoriaus kasetei atvėsti.
- Kai akumuliatoriaus kasetės nenaudojate, ją išimkite iš įrankio ar įkroviklio.
- Įkraukite akumuliatoriaus kasetę, jei jos nenaudojate ilgą laiką (ilgiau nei šešis mėnesius).

SURINKIMAS

▲JSPĖJIMAS: Prieš pradėdami bet kokius vejąplovės techninės priežiūros, valymo arba reguliavimo darbus, visuomet būtinai ištraukite fiksavimo raktą ir išimkite akumuliatoriaus kasetę. Neištraukus fiksavimo rakto ir neišėmus akumuliatoriaus kasetės, galima sunkiai susižeisti dėl atsitiktinio įrenginio paleidimo.

▲JSPĖJIMAS: Niekada nepaleiskite vejąplovės, kol ji nėra visiškai surinkta. Naudojant iš dalies surinktą mašiną, ji gali netyčia pasileisti ir sunkiai sužeisti.

Rankenos montavimas

PASTABA: Montuodami rankenas, laidus nutieskite taip, kad niekas jų neįtrauktų tarp rankenų. Jei laidas pažeistas, vejąplovės jungiklis gali neveikti.

- Sulygiuokite apatinės rankenos angas su angomis ant vejąplovės korpuso, tada laikinai priveržkite 4 varžtus.

► **Pav.1:** 1. Apatinė rankena 2. Varžtas
- 13 dydžio veržliarakčiu tvirtai priveržkite 4 varžtus, kurie buvo laikinai priveržti 1 veiksmo metu.

- Apatinės rankenos angą sulygiuokite su viršutinės rankenos anga, tada iš vidaus įkiškite varžtą ir 13 dydžio veržliarakčiu iš išorės priveržkite veržlę. Tą pačią procedūrą pakartokite kitoje pusėje.

► **Pav.2:** 1. Varžtas 2. Apatinė rankena 3. Veržlė 4. Anga 5. Viršutinė rankena

▲PERSPĖJIMAS: Tvirtai laikykite viršutinę rankenėlę, kad ji neišslystų iš rankos. Priešingu atveju rankena gali nukristi ir sužaloti.

- Pritvirtinkite laikiklius prie rankenos. Laikiklio iškyšas sulygiuokite su rankenos angomis, kad iškyšos įlįstų į angas. Laidus išdėstykite, kaip parodyta paveikslėlyje.

► **Pav.3:** 1. Laidas 2. Laikiklis

Mulčiavimo kaiščio nuėmimas

- Atidarykite galinį dangtelį.

► **Pav.4:** 1. Galinis dangtelis
- Laikydami svirtį nuspausta, nuimkite mulčiavimo kaištį.

► **Pav.5:** 1. Svirtelė 2. Mulčiavimo kaištis

Žolės surinkimo krepšio surinkimas

- Įdėkite rėmelį į žolės surinkimo krepšį tiek giliai, kiek lenda.

► **Pav.6:** 1. Rėmas 2. Žolės surinkimo krepšys
- Prie rėmo pritvirtinkite viršutinį spaustuką, kaip parodyta paveikslėlyje.

► **Pav.7:** 1. Spaustukas
- Prie rėmo pritvirtinkite visus spaustukus, kaip parodyta paveikslėlyje. Įsitinkinkite, kad visi spaustukai tvirtai pritvirtinti prie rėmo.

► **Pav.8**

Žolės surinkimo krepšio uždėjimas ir nuėmimas

Norėdami uždėti žolės surinkimo krepšį, atlikite toliau nurodytus veiksmus.

- Atidarykite galinį dangtelį.

► **Pav.9:** 1. Galinis dangtelis
- Suimkite žolės surinkimo krepšio rankeną, tada pakabinkite žolės krepšį ant vejąplovės korpuso strypo, kaip parodyta paveikslėlyje.

► **Pav.10:** 1. Strypas 2. Rankena 3. Žolės surinkimo krepšys

Norėdami nuimti žolės surinkimo krepšį, atidarykite galinį dangtelį ir nuimkite žolės surinkimo krepšį, suėmę už jo rankenos.

Mulčiavimo kaiščio uždėjimas

- Atidarykite galinį dangtelį ir išimkite žolės surinkimo krepšį.

► **Pav.11:** 1. Galinis dangtelis 2. Žolės surinkimo krepšys
- Laikydami svirtį nuspausta, pritvirtinkite mulčiavimo kaištį, tada jį užfiksuokite atleisdami svirtį.

► **Pav.12:** 1. Svirtelė 2. Mulčiavimo kaištis

Išmetimo priedo tvirtinimas

- Atidarykite galinį dangtelį ir išimkite žolės surinkimo krepšį.
▶ **Pav.13:** 1. Galinis dangtelis 2. Žolės surinkimo krepšys
- Laikydami svirtį nuspausta, pritvirtinkite mulčiavimo kaitį, tada jį užfiksuokite atleisdami svirtį.
▶ **Pav.14:** 1. Svirtelė 2. Mulčiavimo kaitis
- Atidarykite dešinįjį dangtelį, tada pritvirtinkite išmetimo priedą.

Išmetimo priedo kabliukus pakiškite po dešiniojo dangtelio strypu.

- ▶ **Pav.15:** 1. Dešinysis dangtelis 2. Išmetimo priedas

VEIKIMO APRAŠYMAS

Nešiojamojo maitinimo šaltinio įdėjimas ar išėmimas

⚠ PERSPĖJIMAS: Prieš įdėdami arba išimdami nešiojamąjį maitinimo šaltinį, visada išjunkite įrenginį.

⚠ PERSPĖJIMAS: Įdėdami arba išimdami nešiojamąjį maitinimo šaltinį, tvirtai laikykite įrenginį ir nešiojamąjį maitinimo šaltinį. Jeigu įrenginį ir nešiojamąjį maitinimo šaltinį laikysite netvirtai, jie gali išslysti iš rankų, todėl įrenginys ir nešiojamasis maitinimo šaltinis gali būti sugadinti, o naudotojas sužalotas.

⚠ PERSPĖJIMAS: Įsitikinkite, kad nešiojamasis maitinimo šaltinis tvirtai įdėtas įrenginyje.

Kitaip jis gali atsitiktinai iškristi iš įrenginio ir sužaloti jus arba aplinkinius žmones.

⚠ PERSPĖJIMAS: Prieš naudodami, patikrinkite, ar laidas tvirtai pritvirtintas laido laikiklyuose, o lizdas iki galo įkištas į kištuką.

Skirta PDC1200

- Įdėkite nešiojamojo maitinimo šaltinio laidą, kaip parodyta paveikslėlyje.
▶ **Pav.16:** 1. Nešiojamasis maitinimo šaltinis 2. Laidas
- Įdėkite nešiojamąjį maitinimo šaltinį į įrenginį, kaip parodyta paveikslėlyje.
▶ **Pav.17:** 1. Akumulatoriaus atraminė svirtis
2. Nešiojamasis maitinimo šaltinis
3. Fiksavimo mygtukas

⚠ PERSPĖJIMAS: Įsitikinkite, kad nešiojamasis maitinimo šaltinis yra tvirtai užfiksuotas akumulatoriaus atraminėse svirtyse ir fiksavimo mygtukas yra užfiksuotas.

- Įdėkite laidą į laido laikiklius, kaip parodyta paveikslėlyje. Atidarykite kištuko dangtelį, tada sulygiuokite ant lizdo esančią rodyklę su ant įrenginio esančia rodykle ir įkiškite iki galo lizdą į kištuką.

- ▶ **Pav.18:** 1. Kištuko dangtelis 2. Rodyklės žyma
3. Lizdas 4. Laidas

PASTABA: Nekiškite lizdo per jėgą. Jeigu lizdo negalima lengvai įdėti, jį kišate netinkamai.

PASTABA: Kai atjungiate kištuką iš lizdo, nelaikykite laido, bet prilaikykite lizdą. Antraip laidas gali būti pažeistas ir įrenginys gali būti sugadintas.

- Atidarykite fiksavimo raktą dangtelį, tada įkiškite fiksavimo raktą iki galo į vietą, kaip parodyta paveikslėlyje, ir tada uždarykite fiksavimo raktą dangtelį.

- ▶ **Pav.19:** 1. Fiksavimo raktas 2. Fiksavimo raktą dangtelis

Jei norite išimti nešiojamąjį maitinimo šaltinį, atlikite įdėjimo procesą atvirkščia tvarka.

Skirta PDC01

PASTABA: Prieš įdėdami nešiojamąjį maitinimo šaltinį į įrenginį, bent vieną akumuliatorių prijunkite prie 1-os arba 2-os akumulatoriaus angos ir bent vieną akumuliatorių prie 3-ios ar 4-os akumulatoriaus angos.

- Įdėkite nešiojamojo maitinimo šaltinio laidą, kaip parodyta paveikslėlyje.
▶ **Pav.20:** 1. Nešiojamasis maitinimo šaltinis 2. Laidas
- Įdėkite nešiojamąjį maitinimo šaltinį į įrenginį, kaip parodyta paveikslėlyje. Užfiksuokite fiksavimo svirtis abiejose nešiojamojo maitinimo šaltinio pusėse.
▶ **Pav.21:** 1. Akumulatoriaus atraminė svirtis
2. Užrakto svirtelė 3. Nešiojamasis maitinimo šaltinis

⚠ PERSPĖJIMAS: Įsitikinkite, kad nešiojamasis maitinimo šaltinis yra tvirtai užfiksuotas akumulatoriaus atraminėse svirtyse ir fiksavimo svirtys yra tinkamai užfiksuotos.

- Įdėkite laidą į laido laikiklius, kaip parodyta paveikslėlyje. Atidarykite kištuko dangtelį, tada sulygiuokite ant lizdo esančią rodyklę su ant įrenginio esančia rodykle ir įkiškite iki galo lizdą į kištuką.
▶ **Pav.22:** 1. Kištuko dangtelis 2. Rodyklės žyma
3. Lizdas 4. Laidas

PASTABA: Nekiškite lizdo per jėgą. Jeigu lizdo negalima lengvai įdėti, jį kišate netinkamai.

PASTABA: Kai atjungiate kištuką iš lizdo, nelaikykite laido, bet prilaikykite lizdą. Antraip laidas gali būti pažeistas ir įrenginys gali būti sugadintas.

- Atidarykite fiksavimo raktą dangtelį, tada įkiškite fiksavimo raktą iki galo į vietą, kaip parodyta paveikslėlyje, ir tada uždarykite fiksavimo raktą dangtelį.

- ▶ **Pav.23:** 1. Fiksavimo raktas 2. Fiksavimo raktą dangtelis

Jei norite išimti nešiojamąjį maitinimo šaltinį, atlikite įdėjimo procesą atvirkščia tvarka.

Mašinos / akumulatoriaus apsaugos sistema

Mašinoje įrengta mašinos / akumulatoriaus apsaugos sistema. Ši sistema automatiškai atjungia variklio maitinimą, kad mašina ir akumulatorius ilgiau veiktų. Mašina automatiškai išsijungs veikimo metu atsiradus vienai iš toliau nurodytų mašinos arba akumulatoriaus sąlygų:

Apsauga nuo perkrovos

Kai akumulatorius naudojamas taip, kad neįprastai padidėja elektros srovė, mašina automatiškai sustoja, o pagrindinė maitinimo lemputė mirksi žalia spalva. Tokiu atveju išjunkite mašiną ir nutraukite darbą, dėl kurio atsirado perkrova. Tada vėl įjunkite mašiną ir pradėkite iš naujo.

Apsauga nuo perkaitimo

Jeigu mašina arba akumulatorius perkaista, mašina automatiškai sustoja, o pagrindinė maitinimo lemputė dega raudona spalva. Tokiu atveju, prieš vėl įjungdami mašiną, leiskite jai ir akumulatoriui atvėsti.

Apsauga nuo visiško išsekimo

Jeigu likusios akumulatoriaus galios nepakanka, mašina automatiškai sustoja, o pagrindinė maitinimo lemputė mirksi raudona spalva ir įsijiebia indikatoriaus lemputė. Tokiu atveju išimkite akumuliatorių iš įrenginio ir įkraukite akumuliatorių arba pakeiskite akumuliatorių visiškai įkrautu.

Valdymo pultas

Valdymo pulte yra pagrindinis maitinimo jungiklis ir režimų perjungimo mygtukas.

- **Pav.24:** 1. Švelnaus režimo be apkrovos lemputė 2. Triukšmą mažinančio režimo lemputė 3. Režimo perjungimo mygtukas 4. Pagrindinė maitinimo lemputė 5. Pagrindinis maitinimo jungiklis

Pagrindinis maitinimo jungiklis

⚠ JSPĖJIMAS: Kai nenaudojate, visada išjunkite pagrindinį maitinimo jungiklį.

Norėdami įjungti mašiną, paspauskite pagrindinį maitinimo jungiklį. Pagrindinė maitinimo lemputė užsidega žalia spalva. Norėdami išjungti mašiną, dar kartą paspauskite pagrindinį maitinimo jungiklį.

PASTABA: Jei pagrindinė maitinimo lemputė šviečia raudona spalva arba mirksi raudona ar žalia spalva, žr. mašinos / akumulatoriaus apsaugos sistemos instrukcijas.

PASTABA: Ši mašina turi automatinio išjungimo funkciją. Siekiant išvengti atsitiktinio paleidimo, pagrindinis maitinimo jungiklis automatiškai išsijungia, jei svirtinis jungiklis ir eigos svirtelė (jei ji įrengta) nėra patraukiami per tam tikrą laiką po pagrindinio maitinimo jungiklio įjungimo.

Režimo perjungimo mygtukas

Darbo režimą galite perjungti, paspausdami režimo perjungimo mygtuką. Įjungus mašiną, ji pasileidžia įprastiniu režimu.

Paspaudus režimo perjungimo mygtuką, įrenginys persijungia į švelnų be apkrovos režimą, o švelnaus be apkrovos režimo lemputė dega žalia spalva. Dirbdami švelniui režimu be apkrovos galite sumažinti paleidimo smūgį.







Vėl paspaudus režimo perjungimo mygtuką, mašina pereina į triukšmo slopinimo režimą, o triukšmo slopinimo režimo lemputė dega žalia spalva. Dirbdami triukšmo slopinimo režimu galite sumažinti pjovimo keliamą triukšmą.

Dar kartą paspaudus režimo perjungimo mygtuką, mašina grįš į įprastinį režimą.

Likusios akumulatoriaus galios rodymas

Kai likusi akumulatoriaus galia sumažėja, pradeda mirksėti arba įsijiebia lemputė.

- **Pav.25:** 1. Indikatoriaus lemputė

| Indikatoriaus lemputė | | | Likusi galia |
|---|---|---|--------------------------|
| Nešviečia | Blyksi | Šviečia | |
|  |  |  | 20–100 % |
| |  | | |
| |  | | 0–20 % |
| | |  | Įkraukite akumuliatorių. |

PASTABA: Likusios akumulatoriaus galios indikatorių lemputės yra tik informaciniais tikslais. Faktinė likusi akumulatoriaus galia gali skirtis priklausomai nuo naudojimo sąlygų.

PASTABA: Indikatoriaus lemputės rodinys yra atnaujinamas, kai mašina išsijungia.

Jungiklio veikimas

⚠ JSPĖJIMAS: Prieš įdėdami nešiojamąjį maitinimo šaltinį, visada patikrinkite, ar svirtinis jungiklis veikia tinkamai ir atleistas sugrįžta į pradinę padėtį. Naudojant mašiną, kurios jungiklis netinkamai veikia, galima jos nesuvaldyti ir sunkiai susižaloti.

PASTABA: Nepaspaudus įjungimo mygtuko, vejamajam nepasileidžia net ir patraukus už svirtinio jungiklio.

PASTABA: Vejamajam variklis gali būti neužvestas dėl perkrovos, kai vienu metu pjaunate ilgai ar tankią žolę. Tokiu atveju padidinkite pjovimo aukštį.

Šioje vejamajėje yra blokavimo raktelis ir rankenos jungiklis. Jeigu pastebėtumėte, kad blokavimo raktelis arba jungiklis veikia neįprastai, tuoj pat nutraukite darbą ir pasirūpinkite, kad jie būtų patikrinti artimiausiame „Makita“ įgaliojajame techninės priežiūros centre.

1. Įdėkite nešiojamąjį maitinimo šaltinį ir tada įkiškite fiksavimo raktą.

2. Paspauskite maitinimo mygtuką ant nešiojamojo maitinimo šaltinio. Užsieds pagrindinė maitinimo lemputė.

Skirta PDC1200

► **Pav.26:** 1. Maitinimo mygtukas 2. Pagrindinė maitinimo lemputė

Skirta PDC01

► **Pav.27:** 1. Maitinimo mygtukas 2. Pagrindinė maitinimo lemputė

3. Paspauskite pagrindinį maitinimo jungiklį.

4. Laikydami nuspaudę įjungimo mygtuką, traukite svirtinį jungiklį savęs link. Kai tik variklis pasileidžia, įjungimo mygtuką atleiskite.

► **Pav.28:** 1. Mygtukas 2. Svirtinis jungiklis

PASTABA: Jei blokavimo raktelis neįkištas, patraukus perjungimo svirtį, sumirksi maitinimo lemputė.

5. Laikydami svirtinį jungiklį, pastumkite eigos svirtelę pirmyn ir laikykite, kad pajudėtų užpakaliniai ratai.

► **Pav.29:** 1. Eigos svirtelė

PASTABA: Užpakalinius ratus galite judinti stumdami eigos svirtelę pirmyn ir ją laikydami, bet netraukdami svirtinio jungiklio.

6. Norėdami sustabdyti mašiną, atleiskite eigos svirtelę ir svirtinį jungiklį.

Žolės pjovimo aukščio reguliavimas

⚠ JSPĖJIMAS: Reguluodami žolės pjovimo aukštį, niekada nekiškite rankų ar kojų po vejjapjovės korpusu.

⚠ JSPĖJIMAS: Prieš pradėdami darbą, visada įsitikinkite, ar svirtis tinkamai įtaisyta griovelyje.

Žolės pjovimo aukštį galima reguliuoti nuo 20 mm iki 100 mm.

Ištraukite blokavimo raktelį, tada traukite pjovimo aukščio reguliavimo svirtelę vejjapjovės korpuso išorėje ir nustatykite į norimą pjovimo aukštį.

► **Pav.30:** 1. Pjovimo aukščio reguliavimo svirtis

Toliau pateiktoje lentelėje parodytas ryšys tarp skaičių, esančių ant vejjapjovės korpuso, ir apytikslio pjovimo aukščio.

| Skaičius | Pjovimo aukštis |
|----------|-----------------|
| 1 | 20 mm |
| 2 | 26 mm |
| 3 | 32 mm |
| 4 | 39 mm |
| 5 | 47 mm |
| 6 | 55 mm |
| 7 | 63 mm |
| 8 | 74 mm |
| 9 | 86 mm |
| 10 | 100 mm |

Viena ranka laikykite priekinę arba apatinę rankeną, o kita ranka stumkite pjovimo aukščio reguliavimo svirtį.

► **Pav.31:** 1. Pjovimo aukščio reguliavimo svirtis
2. Apatinė rankena 3. Priekinė rankena

PASTABA: Žolės pjovimo aukščio paveikslėliai yra tik orientacinio pobūdžio. Atsižvelgiant į vejos ar žemės paviršiaus sąlygas, faktinis vejos aukštis gali šiek tiek skirtis nuo nustatytojo.

PASTABA: Pradžioje pabandykite pjauti žolę mažiau pastebimoje vietoje, kad nustatytumėte pageidaujamą aukštį.

Žolės lygio indikatorius

Žolės lygio indikatorius rodo nupjautos žolės tūrį. Kai žolės surinkimo krepšys nepilnas, peiliams sukantis indikatorius plevena.

► **Pav.32:** 1. Žolės lygio indikatorius

Kai žolės surinkimo krepšys beveik pilnas, peiliams sukantis indikatorius neplevena. Tokiu atveju nedelsdami nutraukite darbą ir ištuštinkite krepšį.

► **Pav.33:** 1. Žolės lygio indikatorius

PASTABA: Šis indikatorius nėra tikslus kontrolinis įtaisas. Atsižvelgiant į krepšio viduje esančias sąlygas, šis indikatorius gali veikti netinkamai.

Rankenos aukščio reguliavimas

⚠ PERSPĖJIMAS: Prieš atsukdami varžtus, tvirtai suimkite už viršutinės rankenos. Priešingu atveju rankena gali nukristi ir sužaloti.

Rankenos aukštį galima nustatyti į du lygius.

1. 13 dydžio veržliarakiu išimkite viršutinius apatinės rankenos varžtus, tada atlaisvinkite apatinius varžtus.

► **Pav.34:** 1. Viršutinis varžtas 2. Apatinis varžtas

2. Sureguliuokite rankenos aukštį, tada tvirtai priverkite viršutinius ir apatinius varžtus.

Važiavimo greičio reguliavimas

► **Pav.35:** 1. Greičio svirtelė

Važiavimo greitį galima reguliuoti greičio svirtelė. Jei norite sumažinti greitį, patraukite svirtelę savęs link, o jei norite padidinti greitį, pastumkite svirtelę pirmyn.

Mulčiavimo kaiščio naudojimas

Mulčiavimo kaištis leidžia grąžinti nupjautą žolę ant žemės paviršiaus, kad ji nesikaupytų žolės surinkimo krepšyje. Mašiną naudojant su mulčiavimo kaiščiu, būtina nuimti žolės surinkimo krepšį.

PASTABA: Mašiną naudodami su mulčiavimo kaiščiu, užtikrinkite, kad bendras žolės ilgis po pjovimo būtų 30 mm ar didesnis, o pjovimo ilgis būtų 15 mm ar mažesnis.

► **Pav.36:** (1) 30 mm ar daugiau (2) 15 mm ar mažiau

Išmetimo priedo naudojimas

Išmetimo priedas leidžia išmesti nupjautą žolę ant žemės paviršiaus iš dešinės mašinos pusės, kad ji nesikaupytų žolės surinkimo krepšyje. Mašiną naudojant su išmetimo priedu, būtina sumontuoti mulčiavimo kaištį ir nuimti žolės surinkimo krepšį.

Elektroninė funkcija

Mašina turi paprastas naudoti elektronines funkcijas.

- Peiliu sukimosi pastovaus greičio reguliavimas
Elektroninis greičio reguliavimas pastoviam greičiui užtikrinti. Galima tiksliai nušlifuoti paviršius, nes sukimosi greitis būna vienodas, net esant didelei apkrovai.
- Švelnus paleidimas įjungus
Švelnus paleidimo funkcija iki minimumo sumažina paleidimo smūgį ir leidžia sklandžiai paleisti mašiną.
- Elektrinis stabdiklis
Šioje mašinoje įrengtas elektrinis stabdiklis. Jei kas kart atleidus svirtinį jungiklį mašina ne iškart sustabdo veją, pristatykite ją į įgaliojimą „Makita“ techninės priežiūros centrą, kad atliktų techninę priežiūrą.

NAUDOJIMAS

Žolės pjovimas

⚠️ JSPĖJIMAS: Prieš pradėdami pjauti žolę, surinkite nuo vejos šakas ir akmenis. Prieš pradėdami pjauti žolę, taip pat išraukite visas piktžoles.

⚠️ JSPĖJIMAS: Naudodami veją, visada dėvėkite apsauginius akinius arba apsauginius akinius su šoniniais apsauginiais skydais.

⚠️ PERSPĖJIMAS: Jei nupjauta žolė ar svetimkūnis užblokuoja veją, prieš pašalindami žolę ar svetimkūnį, būtinai nuimkite blokavimo raktą ir akumuliatoriaus kasetę ir šalindami žolę ar svetimkūnį mūvėkite pirštines.

PASTABA: Įrenginį naudokite tik vejai pjauti. Šiuo įrenginiu nepjaukite piktžolių.

▶ Pav.37

Pjudami žolę, tvirtai abiem rankomis laikykite rankeną. Pjovimo greičio orientyras yra maždaug 7–14 metrų per 10 sekundžių.

▶ Pav.38

Priekinių ratų vidurio linijos yra pjovimo pločio orientyrai. Vadovaudamiesi vidurio linijomis kaip orientyrais, pjaukite juostomis. Jei norite tolygiai nupjauti veją, pjaunant naują juostą, turi persidengti nuo pusės iki trečdaliao ankstesnės juostos.

▶ Pav.39: 1. Pjovimo plotis 2. Persidengianti sritis 3. Vidurio linija

Kaskart pakeiskite pjovimo kryptį, kad vejos pjovimo raštas nesusiformuotų tik viena kryptimi.

▶ Pav.40

Reguliariai tikrinkite nupjautos žolės surinkimo krepšį. Ištuštinkite žolę, kol jis dar nėra pilnas. Prieš kiekvieną reguliary patikrinimą, būtinai sustabdykite veją ir ištraukite blokavimo raktą bei nešiojamojo maitinimo šaltinio lizdą.

PASTABA: Naudojant veją su pilnu žolės surinkimo krepšiu, peiliai negali tolygiai sukstis, o varikliui tenka papildoma apkrova, todėl jis gali sugesti.

Aukštos žolės pjovimas

Nebandykite nupjauti aukštos žolės per vieną kartą. Vietoj to pjaukite žolę etapais. Tarp pjovimų darykite vienos arba dviejų dienų pertraukas, kol žolė bus tolygiai trumpai nupjauta.

▶ Pav.41

PASTABA: Nupjovus ilgą žolę iki trumpo ilgio per vieną kartą, ji gali nuvysti. Nupjauta žolė taip pat gali susikaupti veją, korpusė.

Žolės surinkimo krepšio ištuštinimas

⚠️ JSPĖJIMAS: Norėdami sumažinti nelaimingų atsitikimų pavojų, reguliariai tikrinkite žolės surinkimo krepšį, ar jis nesugadintas arba nesusilpnėjęs. Jei reikia, pakeiskite žolės surinkimo krepšį.

1. Atleiskite svirtinį jungiklį ir eigos svirtelę.
2. Ištraukite fiksavimo raktą.
3. Atidarykite galinį gaubtą ir nuimkite žolės surinkimo krepšį, suėmę jį už jo rankenos.
▶ Pav.42: 1. Galinis dangtelis 2. Rankena 3. Žolės surinkimo krepšys
4. Išpilkite žolę iš žolės surinkimo krepšio.

TECHNINĖ PRIEŽIŪRA

⚠️ JSPĖJIMAS: Prieš pastatydami veją į vietą arba ją nešdami, prieš pradėdami jos tikrinimą arba techninės priežiūros darbus, visuomet įsitikinkite, ar blokavimo raktas ištrauktas, o nešiojamasis maitinimo šaltinis išimtas.

⚠️ JSPĖJIMAS: Kai veją nenaudojate, visada išimkite fiksavimo raktą. Fiksavimo raktą laikykite saugioje, vaikams nepasiekiamoje vietoje.

⚠️ JSPĖJIMAS: Atlikdami patikrinimą arba techninės priežiūros darbus, mūvėkite pirštines.

⚠️ JSPĖJIMAS: Naudodami arba prižiūrėdami veją, visada dėvėkite apsauginius akinius arba apsauginius akinius su šoniniais apsauginiais skydais.

PASTABA: Niekada nenaudokite gazolino, benzino, tirpiklio, spirito arba panašių medžiagų. Gali atsirasti išblukimų, deformacijų arba įtrūkimų.

Kad gaminys būtų SAUGUS ir PATIKIMAS, jį taisyti, apžiūrėti ar vykdyti bet kokią kitą priežiūrą ar derinimą turi įgaliojasis kompanijos „Makita“ techninės priežiūros centras; reikia naudoti tik kompanijos „Makita“ pagamintas atsargines dalis.

Priežiūra

1. Ištraukite blokavimo raktą ir išimkite nešiojamajį maitinimo šaltinį.
2. Paverskite vejąpovę ant šono taip, kad pjovimo aukščio reguliavimo svirtis būtų viršuje. Išvalykite žolės nuopjovą, susikaupusias vejąpovės dugno apatinėje pusėje.
3. Pilkite vandenį mašinos apačios link, kur pritvirtintas peilis.

PASTABA: Neplaukite mašinos aukšto slėgio vandeniu.

4. Patikrinkite, ar tvirtai priveržtos visos veržlės, varžtai, sraigčiai ir pan.
5. Apžiūrėkite visas judamasias dalis, ar jos nėra sugadintos, sulūžusios ar nusidėvėjusios. Sugadintas arba trūkstamas dalis reikia remontuoti arba keisti naujomis.
6. Vejąpovę laikykite saugioje, vaikams nepasiekiamoje vietoje.

PASTABA: Nepilkite vandens į sritį, parodytą paveikslėlyje. Įpylus vandens į variklio bloką, mašina gali sugesti.

- **Pav.43:** 1. Sritis, į kurią negalima pilti vandens

Vejąpovės nešimas

Nešant vejąpovę, priekinę ir galinę rankeną turi laikyti du žmonės, kaip parodyta paveikslėlyje.

- **Pav.44:** 1. Priekinė rankena 2. Galinė rankena

Laikymas

Vejąpovę laikykite vėsioje, sausoje rakinamoje patalpoje. Vejąpovės ir krokviklio nelaikykite tokiose vietose, kur temperatūra gali siekti arba viršyti 40 °C.

Vejąpovės peilio uždėjimas ir nuėmimas

⚠️ISPĖJIMAS: Atleidus jungiklį, peilis sukasi iš inercijos dar kelias sekundes. Kol peilis visiškai nesustojo, nepradėkite dirbti.

⚠️ISPĖJIMAS: Nuimdami arba montuodami peilį, visada ištraukite blokavimo raktą ir išimkite nešiojamą maitinimo šaltinį. Neištraukus blokavimo rakto ir neišėmus nešiojamojo maitinimo šaltinio, galima sunkiai susižeisti.

⚠️ISPĖJIMAS: Montuodami peilį, visuomet mūvėkite pirštines.

Vejąpovės peilio nuėmimas

Modeliams, kuriuose sumontuotas tiesus vejąpovės peilis

1. Paverskite vejąpovę ant šono taip, kad žolės pjovimo aukščio reguliavimo svirtis būtų viršuje.
 2. Kad peilis nepasisuktų, į vejąpovės korpuse esančią angą įkiškite smaigą.
 3. 17 dydžio veržliarakčiu pasukite varžtą prieš laikrodžio rodyklę.
- **Pav.45:** 1. Vejąpovės peilis 2. Smaigas 3. Veržliaraktis

4. Išimkite varžtą, tada nuimkite vejąpovės peilį.

- **Pav.46:** 1. Peilio atrama 2. Vejąpovės peilis 3. Varžtas 4. Iškyša

PASTABA: Kai montuojate vejąpovės peilį, įsitikinkite, kad iškyšos ant peilio atramos įlenda į angą ant vejąpovės peilio.

Modeliams, kuriuose sumontuoti atšokantys vejąpovės peiliai

1. Paverskite vejąpovę ant šono taip, kad žolės pjovimo aukščio reguliavimo svirtis būtų viršuje.
 2. Kad pagrindo plokštelė nepasisuktų, per pagrindo plokštelės angą įkiškite smaigą į vejąpovės korpuse esančią angą.
 3. 17 dydžio veržliarakčiu pasukite varžtą prieš laikrodžio rodyklę.
- **Pav.47:** 1. Smaigas 2. Pagrindo plokštelė 3. Veržliaraktis
4. Išimkite varžtą, tada nuimkite pagrindo plokštelę.
- **Pav.48:** 1. Peilio atrama 2. Pagrindo plokštelė 3. Varžtas 4. Iškyša

PASTABA: Kai montuojate vejąpovės peilius, įsitikinkite, kad iškyšos ant peilio atramos įlenda į angą ant pagrindo plokštelės.

5. Jei norite nuimti pavienį vejąpovės peilį, laikykite pagrindo plokštelę ir 17 dydžio veržliarakčiu pasukite varžtą prieš laikrodžio rodyklę.
- **Pav.49:** 1. Pagrindo plokštelė 2. Vejąpovės peilis 3. Veržliaraktis
6. Eilės tvarka nuimkite veržlę, poveržlę, spyruoklinę poveržlę, vejąpovės peilį ir varžtą.
- **Pav.50:** 1. Varžto anga 2. Varžtas 3. Vejąpovės peilis 4. Spyruoklinė poveržlė 5. Poveržlė 6. Veržlė

PASTABA: Kai montuojate pavienius vejąpovės peilius, veržlės priveržkite 30 N•m sukimo momentu.

PASTABA: Montuodami pavienį vejąpovės peilį, būtinai uždėkite spyruoklinę poveržlę paveikslėlyje parodyta kryptimi.

PASTABA: Montuodami pavienį vejąpovės peilį, būtinai įkiškite varžtus į varžtų angas, kaip parodyta paveikslėlyje.

Vejąpovės peilio įdėjimas

⚠️ISPĖJIMAS: Uždėdami vejąpovės peilį būkite atidūs. Jis turi viršutinę / apatinę puses.

⚠️ISPĖJIMAS: Tvirtai priveržkite varžtą, sukdami jį pagal laikrodžio rodyklę, kad užfiksuotumėte peilį.

⚠️ISPĖJIMAS: Įsitikinkite, kad vejąpovės peilis ir visos tvirtinamosios dalys tinkamai uždėtos ir tvirtai priveržtos.

⚠️ISPĖJIMAS: Keisdami peilius visada laikykitės šiame vadove pateiktų instrukcijų.

PASTABA: Sumontavę vejąpovės peilius, ištraukite smaigą iš vejąpovės korpuso.

Norėdami sumontuoti vejąpovės peilius, atlikite nuėmimo procedūrą atvirkštine tvarka.

GEDIMŲ ŠALINIMAS

Prieš kreipdamiesi dėl remonto darbų, pirmiausia patikrinkite gedimus patys. Jeigu susidursite su problema, kuri nėra paaiškinta vadove, nemėginkite išrinkti mašinos. Verčiau kreipkitės į įgaliotuosius „Makita“ techninės priežiūros centrus, kuriuose remontui visuomet naudojamos „Makita“ pakaitinės dalys.

| Neįprasta būklė | Tikėtina priežastis (triktis) | Ištaisomoji priemonė |
|---|---|--|
| Vejapjovė neįsijungia. | Akumuliatorius neįdėtas. | Įdėkite įkrautą akumuliatorių. |
| | Akumuliatoriaus problema (per maža įtampa) | Įkraukite akumuliatorių. Jei įkrauti nepavyksta, akumuliatorių pakeiskite. |
| | Neįkištas blokavimo raktelis. | Įkiškite blokavimo raktelį. |
| Trumpai panaudojus variklis nustoja veikęs. | Žemas akumuliatoriaus įkrovos lygis. | Įkraukite akumuliatorių. Jei įkrauti nepavyksta, akumuliatorių pakeiskite. |
| | Pjovimo aukštis per mažas. | Padidinkite pjovimo aukštį. |
| | Nupjauta žolė vejapjovėje sudarė kamštį. | Pašalinkite iš vejapjovės nupjautos žolės kamštį. |
| Variklis nepasiekia didžiausio sūkių skaičiaus per minutę. | Akumuliatorius netinkamai įdėtas. | Akumuliatorių įdėkite taip, kaip aprašyta šiame vadove. |
| | Mažėja akumuliatoriaus galia. | Įkraukite akumuliatorių. Jei įkrauti nepavyksta, akumuliatorių pakeiskite. |
| | Netinkamai veikia pavaros sistema. | Dėl remonto kreipkitės į vietinį įgaliotąjį techninės priežiūros centrą. |
| Vejapjovės peilis nesisuka: ⇒ nedelsdami sustabdykite vejapjovę! | Šalia peilio įstrigo pašalinis objektas, pvz., šaka. | Pašalinkite pašalinį objektą. |
| | Netinkamai veikia pavaros sistema. | Dėl remonto kreipkitės į vietinį įgaliotąjį techninės priežiūros centrą. |
| Neįprasta vibracija: ⇒ nedelsdami sustabdykite vejapjovę! | Peilis nesubalansuotas, pernelyg ar netolygiai nusidėvėjęs. | Pakeiskite peilį. |

PASIRENKAMI PRIEDAI

⚠ PERSPĖJIMAS: Su šiame vadove nurodyta „Makita“ mašina rekomenduojama naudoti šiuos įtaisus arba priedus. Naudojant bet kokius kitus įtaisus arba priedus, gali kilti pavojus sužaloti žmogus. Įtaisus arba priedus naudokite tik pagal nurodytą paskirtį.

Jeigu norite daugiau sužinoti apie tuos priedus, kreipkitės į artimiausią „Makita“ techninės priežiūros centrą.

- Vejapjovės peilis
- Originalūs „Makita“ akumuliatorius ir įkroviklis

PASTABA: Kai kurie sąraše esantys priedai gali būti pristatomi gaminio pakuotėje kaip standartiniai priedai. Įvairiose šalyse jie gali skirtis.

TEHNILISED ANDMED

| | | |
|------------------------------------|---|---------------------------------|
| Mudel: | | LM001C |
| Niitmislaius (tera läbimõõt) | | 534 mm |
| Koormuseta kiirus | Normaalrežiim | 2 800 min ⁻¹ |
| | Koormuseta režiim | 2 300 – 2 800 min ⁻¹ |
| | Müra vähendamise režiim | 2 300 min ⁻¹ |
| Vahetatava niiduki tera osa number | Sirge niiduki tera | 191D52-7 |
| | Tagasipööratud niiduki terad *1 | 191D50-1 |
| | Tagasipööratud niiduki terad *2 | 191D48-8 |
| Mõõtmed (P × L × K) | P: 1 630 mm kuni 1 715 mm L: 590 mm K: 990 mm kuni 1 095 mm | |
| Liikumiskiirus | 2,5 – 5,0 km/h | |
| Nimipinge | Alalisvool 36 V – 40 V max | |
| Netokaal | Kui paigaldatud on sirge niiduki tera | 42,1 - 48,9 kg |
| | Kui paigaldatud on tagasipööratud niiduki terad | 42,8 – 49,5 kg |
| Kaitseaste | IPX4 | |

*1. Alusplaat ja üksikud niiduki terad.

- Meie pideva uuringu- ja arendusprogrammi tõttu võidakse tehnilisi andmeid muuta ilma sellest ette teatamata.
- Tehnilised andmed võivad riigiti erineda.
- Kaal võib erineda olenevalt lisaseadistest, kaasa arvatud akukassetist. Kergeim ja raskeim kombinatsioon EPTA-protseduuri 01/2014 kohaselt on toodud tabelis.

*2. Ainult üksikud niiduki terad.

Sobiv portatiivne akukomplekt

PDC1200/PDC01

⚠ HOIATUS: Kasutage ainult ülalpool loetletud portatiivseid akukomplekte. Muude portatiivsete akukomplektide kasutamine võib tekitada vigastusi ja/ või tulekahju.

Sümbolid

Alljärgnevalt kirjeldatakse tingimärke, mida võidakse seadmetel kasutada. Enne seadme kasutamist tehke endale selgeks nende tähendus.

| | |
|--|--|
| | Olge äärmiselt ettevaatlik ja tähelepanelik. |
| | Lugege juhendit. |
| | Ohtlik; pidage silmas õhkupaiskuvaid objekte. |
| | Seadme ja kõrvalseisjate vaheline vahemaa peab olema vähemalt 15 m. |
| | Ärge pange kunagi käsi või jalgu niiduki all oleva tera lähedusse. Terad jätkavad pöörlemist ka pärast mootori väljalülitamist. |
| | Eemaldage lukustusvõti enne niiduki kontrollimist, reguleerimist, puhastamist, hooldamist, järelevalveta jätmist ja hoiustamist. |



Elektrilöögioht. Kokkupuude veega võib põhjustada elektrilöögi.



Ärge valage sellele vett.



Kinnitage juhe juhtmehoidikute külge.



Ainult EL-i riikide puhul
Seadmes sisalduvate ohtlike osade tõttu võivad elektri- ja elektroonikaseadmete jäätmel, akud ja patareid avaldada negatiivset mõju keskkonnale ja inimeste tervisele.
Elektri- ja elektroonikaseadmeid ega akusid ei tohi kõrvaldada koos olmejäätmetega!
Euroopa elektri- ja elektroonikaseadmete jäätmel, akude ja patareide ning nende jäätmel direktiivi ja riiklikku õigusesse ülevõtmise kohaselt tuleb elektri- ja elektroonikaseadmete, akude ja patareide jäätmel koguda eraldi ning viia eraldiseisvasse olmejäätmete kogumispunkti, mis tegutseb kooskõlas keskkonnakaitse eeskirjadega. Sellele osutab seadmele paigaldatud läbikriipsutatud ratastega prügikasti sümbol.

Kavandatud kasutus

Masin on ette nähtud muru niitmiseks.

Lähemalt juhendist

Mõiste „aku“ või „akukassett“ viitab selles kasutusjuhendis järgnevatele.

- Portatiivne akukomplekt
- Portatiivne akukomplekt, millele on paigaldatud akukassetid
- Akukassett, mis on paigaldatud portatiivsele akukomplektile

Müra

Tüüpiline A-korrigeeritud müratase, määratud standardi EN60335-2-77 kohaselt:

MÄRKUS: Väärtuseid on mõõdetud muruniidukiga, millel on sirge niiduki tera.

Helirõhutase (L_{pA}): 80,0 dB (A)
Helivõimsuse tase (L_{WA}): 91,2 dB (A)
Määramatus (K): 3 dB (A)

Töötamisel võib müratase ületada 80 dB (A).

MÄRKUS: Deklareeritud müra väärtust (väärtuseid) on mõõdetud kooskõlas standardse katsemeetodiga ning seda võib kasutada ühe seadme võrdlemiseks teisega.

MÄRKUS: Deklareeritud müra väärtust (väärtuseid) võib kasutada ka mürataseme esmaseks hindamiseks.

⚠️HOIATUS: Kasutage kõrvakaitsmeid.

⚠️HOIATUS: Müratase võib elektritööriista tegelikkuses kasutamise ajal erineda deklareeritud väärtus(t)est olenevalt tööriista kasutusviisidest ja eriti töödeldavast toorikust.

⚠️HOIATUS: Rakendage operaatori kaitsmiseks kindlasti piisavaid ohutusabinõusid, mis põhinevad hinnangulisel müratasemel tegelikus töösihtuatsioonis (võttes arvesse tööperioodi kõiki osasid, näiteks korrad, kui seade lülitatakse välja ja seade töötab tühikäigul, lisaks tööajale).

Vibratsioon

Vibratsiooni koguväärtus (kolmeteljeliste vektorite summa) määratud standardi EN60335-2-77 kohaselt:

MÄRKUS: Väärtuseid on mõõdetud muruniidukiga, millel on sirge niiduki tera.

Vibratsiooniheide (a_h): 2,5 m/s² või vähem
Määramatus (K): 1,5 m/s²

MÄRKUS: Deklareeritud vibratsiooni koguväärtust (-väärtuseid) on mõõdetud kooskõlas standardse katsemeetodiga ning seda võib kasutada ühe seadme võrdlemiseks teisega.

MÄRKUS: Deklareeritud vibratsiooni koguväärtust (-väärtuseid) võib kasutada ka mürataseme esmaseks hindamiseks.

⚠️HOIATUS: Vibratsioonitase võib elektritööriista tegelikkuses kasutamise ajal erineda deklareeritud väärtus(t)est olenevalt tööriista kasutusviisidest ja eriti töödeldavast toorikust.

⚠️HOIATUS: Rakendage operaatori kaitsmiseks kindlasti piisavaid ohutusabinõusid, mis põhinevad hinnangulisel müratasemel tegelikus töösihtuatsioonis (võttes arvesse tööperioodi kõiki osasid, näiteks korrad, kui seade lülitatakse välja ja seade töötab tühikäigul, lisaks tööajale).

EÜ vastavusdeklaratsioon

Ainult Euroopa riikide puhul

EÜ vastavusdeklaratsioon sisaldub käesoleva juhendi Lisas A.

OHUTUSHOIATUSED

TÄHTSAD OHUTUSJUHISED

⚠️HOIATUS: Lugege läbi kõik ohutusohiatused ja juhtnõbrid. Hoiatuste ja juhtnõrde mittejärgmine võib põhjustada elektrišokki, tulekahju ja/või tõsiseid vigastusi.

Hoidke edaspidisteks viideteks alles kõik hoiatused ja juhtnõbrid.

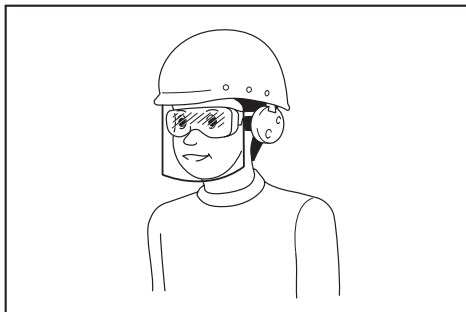
Õpe

1. Lugege tähelepanelikult juhiseid. Õppige põhjalikult tundma niiduki juhtimisseadiseid ja õiget kasutamist.
2. Mitte mingil juhul ärge lubage niidukit kasutada lastel ega isikutel, kes pole tutvunud kasutusjuhendiga. Kohalikud määrused võivad seada piiranguid kasutaja vanusele.
3. Ärge kunagi kasutage niidukit siis, kui läheduses viibivad inimesed (eriti lapsed) või lemmikloomad.
4. Pidage meeles, et muruniiduki omanik või kasutaja vastutab teistele isikutele põhjustatud vigastuste või nende varale tekitatud kahjustuste eest.
5. Jälgige, et lapsed niidukiga ei mängiks.
6. Füüsiline seisund – ärge kasutage niidukit, kui olete uimastite, alkoholi või ravimite mõju all.

Ettevalmistus

1. Kandke niidukiga töötamise ajal alati tugevaid jalatseid ja pikki pükse. Ärge töötage niidukiga, kui olete paljajalu või kannate lahtisi sandaale. Vältige liiga avarate ja rippuvate lipsude või nõrdeid riiete või ehete kandmist. Need võivad liikuvate osade vahele kinni jääda.
2. Enne kasutamist kontrollige visuaalselt, et niiduki kaitsmed ega katted poleks kahjustunud, kadunud või vales kohas.
3. Enne niitmise alustamist veenduge, et niideta-val alal poleks teisi inimesi. Seisake niiduk, kui keegi siseneb niidetavale alale.
4. Ärge sisestage lukustusvõtit niidukisse, kuni see pole kasutamiseks valmis.

- Kandke elektritööriistu kasutades oma silmade vigastuste eest kaitsmiseks alati kaitseprille. Prillid peavad vastama USA-s standardile ANSI Z87.1, Euroopas standardile EN 166 või Austraalias/Uus-Meremaal standardile AS/NZS 1336. Austraalias/Uus-Meremaal on näo kaitsmiseks seadusega nõutud ka näokaitsme kasutamine.



Töandja kohustus on nõuda, et tööriista operaatorid ja teised tööpiirkonnas viibivad isikud kannaksid sobivat ohutusvarustust.

- Kontrollige löiketerasid või terapolte enne kasutamist hoolikalt mõrade või kahjustuste suhtes. Vahetage mõranenud või kahjustatud löiketerad või löiketerade poldid kohe välja.
 - Eemaldage vöörkehad (nt kivid, traadijupid, pudelid, luud ja suuremad oksad) niidetavalt alalt enne niitmise alustamist, et vältida tervisekahjustusi ja niiduki kahjustamist.
 - Kui niiduki löiketera tabab mõnda eset, võib see põhjustada tõsiseid tervisekahjustusi. Muru tuleb enne niitmist alati tähelepanelikult kontrollida ja kõigist esemetest puhastada.
 - Jälgige auke, rõõpaid, muhke, kive või muid varjatud esemeid. Ebatasane maapind võib põhjustada libisemist ja kukkumist. Pika muru sisse võivad olla peidetud takistused.
 - Ärge sisestage ega eemaldage lukustusvõtit vihma käes.
 - Kasutage isikukaitselahendeid. Kandke alati silmakaitsemeid. Kaitsevahendid, näiteks oludesse sobiv tolmumask, libisemiskindlad turvalatsid, kõva peakate või kõrvaklapid, vähendavad tervisekahjustusi.
- Kasutamine**
- Ärge küünitage liiga kaugele ette. Hoidke alati tasakaalu. Jälgige kallakutel alati, et teil oleks kindel jalgealune. Kõndige, ärge kunagi jookske.
 - Seisake niiduk ja eemaldage lukustusvõti ning veenduge, et kõik liikuvad osad oleks täielikult peatunud:
 - alati, kui niiduki juurest lahkute;
 - enne niidukist takistuste või väljaviskerennist ummistuste eemaldamist;
 - enne niiduki kontrollimist, puhastamist või hooldamist;
 - pärast seda, kui löiketera on vöörkeha tabanud. Kontrollige, et niidukil poleks kahjustusi, ning tehke kõik vajalikud remonditööd enne selle taaskäivitamist ja niitmise jätkamist,
 - alati kui niiduk hakkab ebatavaliselt vibreerima.
 - Ärge kasutage kunagi niidukit, mille kaitsekatet on defekttsed või mille ohutusseadised (nt suunaja ja/või murukogur) on eemaldatud.
 - Vältige niiduki kasutamist halva ilmaga, eriti kui valitseb äikesoht.
 - Niidukiga töötamisel peavad silmad olema alati kaitstud ja tuleb kanda toekaid jalanõusid.
 - Töötage niidukiga ainult päevavalguses või hea tehisvalgustuse olemasolul.
 - Niiduki sisselülitamisel järgige tähelepanelikult juhtnööre ja hoidke jalad löiketera(de)st eemal.
 - Olge tähelepanelik, et te ei vigastaks niiduki teradega oma jalgu ega käsi.
 - Kandke hoolt selle eest, et ventilatsioonivad oleksid alati prahist puhtad.
 - Niitke kallakuid küljelt küljele ja mitte kunagi ülevalt alla või alt üles. Olge kallakutel liikumissuunda muutes äärmiselt ettevaatlik. Ärge niitke liiga järskuldel kallakutel.
 - Olge eriti ettevaatlik niidukit tagurpidi liigutades või enda poole tõmmates.
 - Seisake löiketera(d), kui niidukit tuleb kallutada, et liikuda üle alade, mis ei ole muruga kaetud, ning siis, kui viite niidukit niitmisalale või sealt ära.
 - Ärge kallutage niidukit, kui mootorit sisse lülitate, v.a juhul, kui see on käivitamiseks vajalik. Sellisel juhul ärge kallutage niidukit rohkem kui vaja ning tõstke ainult seda osa, mis jääb kasutajast eemale. Enne niiduki maapinnale tagasi asetamist veenduge alati, et mõlemad käed oleksid tööasendis.
 - Ärge pange käsi ja jalgu pöörlevate osade lähedale ega nende alla. Hoidke väljaviskeava alati takistustest puhtana.
 - Ärge transportige niidukit, kui see on sisse lülitatud.
 - Vältige niiduki kasutamist märjas rohus.
 - Hoidke alati käepidemest kindlalt kinni.
 - Ärge haarake niidukit hoides või üles tõstes katmata löiketeradest või -servadest.
 - Hoidke käed ja jalad pöörlevatest löiketeradest eemal. Ettevaatus! Toite väljalülitamise järel pöörlevad terad vaba hooga edasi.
 - Kui märkate midagi ebatavalist, lõpetage kohe töö. Lülitage niiduk välja ja eemaldage lukustusvõti. Seejärel kontrollige niidukit.
 - Kui niidukil on löikekõrguse reguleerimise võimalus, ärge püüdke reguleerida niitmiskõrgust niiduki töötamise ajal.
 - Vabastage hooblülit ja oodake löiketera seisumist, enne kui sõidate niidukiga üle sisselülitatud, kõnniteede, teede või kruusaga kaetud alade. Samuti eemaldage lukustusvõti, kui lahkute niiduki juures, küünitage midagi oma teelt üles võtma või eemaldama, või mõne muu põhjuse korral, mis ei lase teil oma tegevusele keskenduda.
 - Kui niiduki löiketera tabab vöörkeha, toimige järgmiselt:
 - Peatage niiduk, vabastage hooblülit ja oodake, kuni löiketera on täielikult seiskunud.
 - Eemaldage lukustusvõti ja akukassett.

- Kontrollige niidukit põhjalikult igasuguste kahjustuste suhtes.
 - Vahetage lõiketera välja, kui see on mingil moel kahjustada saanud. Enne niiduki taaskäivitamist ja töö jätkamist parandage kõik kahjustused.
24. Ärge seiske seadet käivitamise ajal väljavisk-eava ees.
 25. Kui niiduk hakkab ebanormaalselt vibreerima, siis
 - kontrollige seda kohe kahjustuste suhtes;
 - asendage või parandage kõik kahjustunud osad;
 - kontrollige osade pingust ja pinguldage lah-tised osad.
 26. Ärge kunagi suunake välja heidetavat mater-jali kellegi poole. Vältige materjali seinale või takistusele heitmist. Materjal võib kasutaja poole tagasi lennata. Kruusapindade ületamisel seisake tera.
 27. Tõmmake niidukit tagasisuunas ainult äärmis-el juhul. Kui peate niidukit aia või muu sarnase takistuse juurest eemale tõmbama, vaadake enne tagasisuunas liikumist alla ja seljataha.
 28. Enne murupüüduuri eemaldamist lülitage moo-tor välja ja oodake, kuni tera on täielikult pea-tunud. Olge ettevaatlik, sest terad liiguvad pärast väljalülitamist vabakäiguga edasi.
 29. Masina kasutamisel porisel, libedal maapinnal või märjal kallakul pöörake tähelepanu kindlate jalgealusele.
 30. Vältige töötamist halvast keskkonnas, kus kasutaja suurem väsimine on oodatav.
 31. Ärge kasutage masinat halva ilmaga, kus nähtavus on piiratud. Muidu võib halb nähtavus põhjustada kukkumise või vale tegevuse.
 32. Ärge ajage masinat sügavale lompi.
 33. Kui märgid lehed või praht jäävad vihma tõttu imiavasse (tuulutusaken) kinni, siis eemaldage need.
 34. Ärge kasutage masinat lumes.
 35. Kui niidetud muru on märg, ummistub see tõe-näoliselt masina sisse. Kontrollige regulaarselt masina seisukorda ja eemaldage vajaduse korral sinna kinni jäänud muru.
 36. Masinaga töötamisel pöörake tähelepanu torudele ja juhtmetele.

Hooldus ja hoiundamine

1. Ohutuse tagamiseks vahetage kulunud või kahjustunud osad uute vastu. Kasutage ainult originaalvaruosid ja -tarvikuid.
2. Kontrollige ja hooldage niidukit regulaarselt.
3. Kui niidukit ei kasutata, hoidke seda lastele kättesaamatus kohas.
4. Seadme ohutu talitluse tagamiseks hoidke kõik mutrid, poldid ja kruvid tugevasti pinguldatusena.
5. Kontrollige murukogurit sageli kulumise või muul viisil kahjustumise suhtes. Enne hoiusta-mist veenduge alati, et murukogur oleks tühi. Ohutuse tagamiseks asendage kulunud muru-kogur alati tootja originaalosaga.
6. Kasutage ainult juhendis kirjeldatud tootja originaalõiketeri.

7. Olge niiduki reguleerimisel ettevaatlik, et vältida sõrmede muljumist niiduki fikseeritud osade ja liikuvate lõiketerade vahele.
8. Kontrollige lõiketera fiksaatorpoliti regulaarselt korrektse pinguse suhtes.
9. Laske niidukil alati enne hoiustamist maha jahtuda.
10. Olge lõiketerade hooldamisel teadlik sellest, et kuigi toide on välja lülitatud, võivad lõiketerad siiski liikuda.
11. Ärge kunagi eemaldage ega muutke oma-võllisel kaitseseedmeid. Kontrollige nende töökorra regulaarselt. Ärge kunagi tehke midagi, mis häiriks kaitseseedme kavanda-tud funktsiooni või vähendaks kaitseseedme kaitsevõimet.
12. Ärge jätke masinat järelevalveta vihma kätte.
13. Ärge peske masinat kõrgsurvepesuriga.
14. Masina pesemise ajaks eemaldage aku ja lukustusvõti ning valage vett masina põhja suunas, kuhu on kinnitatud lõiketera.
15. Masina hoiule panemisel vältige otsest päike-sevalgust ja vihma ning see ei tohiks muutuda hoiukohas liiga kuumaks ega niiskeks.
16. Kontrollige ja hooldage masinat vihma eest kaitsitud kohas.
17. Pärast masina kasutamist eemaldage kinnitu-nud mustus ja kuivatage masin täielikult enne hoiundamist. Aastaajast või piirkonnast olenevalt võib külmumine tõrkeid põhjustada.

Akuga tööriista kasutamine ja hooldus

1. Laadige alati laadijaga, mille tootja on heaks kiitnud. Laadija, mis sobib kasutamiseks ühte tüüpi akuga, võib kaasa tuua tulekahjuohtu, kui seda kasutada koos mõnda teist tüüpi akuga.
2. Kasutage elektritööriista üksnes spetsiaalselt neile toodetud akudega. Mis tahes muude akude kasutamine võib tekitada tervisekahjustusi või tulekahjuohtu.
3. Kui akut ei kasutata, ärge hoidke seda koos muude metalliesemetega, nagu kirjaklambrid, münnid, võtmed, naelad, kruvid jm väikesed metalliesemed, mis võivad tekitada ühenduse klemmide vahel. Akuklemmide ühis võib põhjus-tada põletusi ja tulekahjuohtu.
4. Väärkasutamise tagajärjel võib akust valguda välja vedelikku; ärge seda puudutage. Kui olete selle vedelikuga siiski kogemata kokku puutu-nud, uhtke kohta veega. Kui vedelik on sattu-nud silma, minge arsti juurde. Akust väljavalgu-nud vedelik võib põhjustada ärritust ja põletusi.
5. Ärge kasutage akupaketti ega tööriista, mis on kahjustatud või muudetud. Kahjustatud või muudetud akud võivad käituda etteaimamatult, põhjustades süttimis-, plahvatus- või vigastusohu.
6. Kaitse akupaketti ja tööriista tule ja kõrge temperatuur eest. Tule või kõrgema kui 130 °C temperatuuriga kokkupuutumine võib tuua kaasa plahvatuse.
7. Pidage kinni kõigist laadimisjuhustest ja ärge laadige akupaketti ega tööriista väljaspool juhendis märgitud temperatuurivahemikku. Valesti või väljaspool märgitud temperatuurivahe-mikku laadimine võib kahjustada akupaketti ja suurendada süttimisohtu.

Elektriohutus ja aku ohutu talitlus

1. Ärge visake kasutatud akut (akusid) tulle. Element võib plahvatada. Kasutatud akude käitlemise võimalikud erinõuded leiate kohalikest eeskirjadest.
2. Akut (akusid) ei tohi avada ega kahjustada. Väljavalgunud elektrolüüt on söövitava toimega ning võib kahjustada silmi ja nahka. See võib osutada allaneelamisel mürgiseks.
3. Ärge laadige akut vihma käes ega märjas keskkonnas.
4. Ärge laadige akut välistingimustes.
5. Ärge käsitsege laadurit, sh laaduri pistikut ja laadimisterminale märgade kätega.
6. Ärge vahetage akut vihma käes.
7. Ärge tehke aku kontakte vee vm vedelikuga märjaks ega pange akut vee alla. Ärge jätke akut vihma kätte, samuti ärge laadige, kasutage ega hoiustage akut niiskes või märjas kohas. Kui aku kontakt saab märjaks või vedelik tungib aku sisse, võib aku lühistada ning tekkida ülekuumenemise, süttimise või plahvatuse oht.
8. Pärast masinast või laadijast aku eemaldamist kinnitage akukate kindlasti akule ja hoidke akut kuivas kohas.
9. Ärge vahetage akut märgade kätega.
10. Kui akukasset saab märjaks, laske vesi välja ja pühkige seda kuiva lapiga. Enne kasutamist kuivatage akukasset täielikult kuivas kohas.
11. Vältige ohtlikku keskkonda. Ärge kasutage masinat niisketes või märgades kohtades ega jätke seda vihma kätte. Masina sisse sattunud vesi suurendab elektrilöögi ohtu.

Hooldus

1. Laske elektritööriista hooldada eksperdil, kes kasutab vaid originaalvaruosi. Siis püsib elektritööriista ohutus.
2. Ärge hooldage kahjustatud akupakette. Akupakette võivad hooldada ainult tootja või ametlikud teenusepakkujad.

HOIDKE JUHEND ALLES.

⚠ HOIATUS: ÄRGE UNUSTAGE järgida toote ohutusnõudeid mugavuse või toote (korduskasutamise saavutatud) hea tundmise tõttu.

VALE KASUTUS või kasutusjuhendi ohutuseeskirjade eiramine võib põhjustada tervisekahjustusi.

Akukassetiga seotud olulised ohutusjuhised

1. Enne akukasseti kasutamist lugege (1) akulaadijat, (2) akul ja (3) seadmel olevad juhtnöörid ja hoiatused läbi.
2. Ärge võtke akukassetti lahti ega muutke seda. See võib põhjustada tulekahju, liigset kuumust või plahvatuse.
3. Kui tööaeg järsult lüheneb, siis lõpetage kohe kasutamine. Edasise kasutamise tulemuseks võib olla ülekuumenemisoht, võimalikud põletused või isegi plahvatus.
4. Kui elektrolüüti satub silma, siis loputage silma puhta veega ja pöörduge koheselt arsti poole. Selline õnnetus võib põhjustada pimedaksjäämist.

5. Ärge tekitage akukassetis lühist:

- (1) Ärge puutuge klemme elektrijuhtidega.
- (2) Ärge hoidke akukassetti tööriistakastis koos metallesemetega, nagu naelad, mündid jne.
- (3) Ärge tehke akukassetti märjaks ega jätke seda vihma kätte.

Aku lühis võib põhjustada tugevat elektrivoolu, ülekuumenemist, põletusi ning ka seadet tõsiselt kahjustada.

6. Ärge hoidke ega kasutage tööriista ja akukassetti kohtades, kus temperatuur võib tõusta üle 50 °C (122 °F).
7. Ärge põletage akukassetti isegi siis, kui see on saanud tõsiselt vigastada või on täiesti kulu- nud. Akukasset võib tules plahvatada.
8. Ärge naelutage, löigake, muljuge, visake akukassetti ega laske sel kukkuda, samuti ärge lööge selle pihta kõva esemega. Selline tegevus võib põhjustada tulekahju, liigset kuumust või plahvatuse.
9. Ärge kasutage kahjustatud akut.

10. Sisalduvatele liitium-ioonakudele võivad kohalduda ohtlike kaupade õigusaktide nõuded.

Kaubanduslikul transportimisel, näiteks kolmanda poolte või transpordiettevõtete poolt, tuleb järgida pakendil ja siltidel toodud erinõudeid. Transportimiseks ettevalmistamisel on vajalik pidada nõu ohtliku materjali ekspordiga. Samuti tuleb järgida võimalike riiklike regulatsioonide üksikasjalikumaid nõudeid.

Katke teibiga või varjake avatud kontaktid ja pakendage aku selliselt, et see ei saaks pakendis liikuda.

11. Kasutuskõlbmatuks muutunud akukasseti kõrvaldamiseks eemaldage see tööriistast ja viige selleks ette nähtud kohta. Järgige kasutuskõlbmatuks muutunud aku kõrvaldamisel kohalikke eeskirju.
12. Kasutage akusid ainult Makita heaks kiidetud toodetega. Akude paigaldamine selleks mitte ettenähtud toodetele võib põhjustada süttimist, ülemäärast kuumust, plahvatamist või elektrolüüdi lekkimist.
13. Kui tööriista ei kasutata pika ajaperioodi jooksul, tuleb aku tööriistast eemaldada.
14. Kasutamise ajal ja pärast kasutamist võib akukassett kuumeneda, mis võib põhjustada põletusi või madala temperatuuri põletusi. Olge kuuma akukasseti kandmisel ettevaatlik.
15. Ärge puudutage tööriista klemmi kohe pärast kasutamist, sest see võib olla kuum ja põhjustada põletusi.
16. Hoidke akukasseti klemmid, avad ja sooned tükikestest, tolmust ja mullast puhtad. Muidu võib tööriist või akukassett halvasti töötada või puruneda.
17. Kui tööriist ei kannata kasutamist kõrgepingeliinide lähedal, ärge kasutage akukassetti kõrgepingeliinide lähedal. Muidu võib tööriist või akukassett puruneda või sellel tõrge tekkida.
18. Hoidke akut lastele kättesaamatu.

HOIDKE JUHEND ALLES.

⚠ETTEVAATUST: Kasutage ainult Makita originaalalusid. Mitte Makita originaalalude või muudetud alude kasutamine võib põhjustada akude süttimise, kehavigastuse ja kahjustuse. Samuti muudab see kehtetuks Makita tööriista ja laadija Makita garantii.

Vihjeid aku maksimaalse kasutusaja tagamise kohta

1. Laadige akussetti enne selle täieliku tühjenemist. Kui märkate, et tööriist töötab väiksema võimsusega, peatage töö ja laadige akussetti.
2. Ärge laadige täielikult laetud akussetti. Ülelaadimine lühendab akude kasutusiga.
3. Laadige akussetti toatemperatuuril 10 °C - 40 °C. Enne laadimist laske kuumenenud akussetil maha jahtuda.
4. Kui te ei kasuta parajasti akussetti, eemaldage see tööriistast või laadurist.
5. Kui te ei kasuta akussetti kauem kui kuus kuud, laadige see.

KOKKUPANEK

⚠HOIATUS: Veenduge enne niidukil igasuguste tööde tegemist, et lukustusvõti ja akussetti oleks eemaldatud. Lukustusvõtme ja akussetti eemaldamata jätmine võib põhjustada tõsiseid tervisekahjustusi, kui niiduk juhulikulult käivitub.

⚠HOIATUS: Ärge käivitage kunagi niidukit, kui see pole täielikult monteeritud. Osaliselt kokkupandud masina juhulikul käivitamine võib põhjustada tõsiseid kehavigastusi.

Käepideme paigaldamine

TÄHELEPANU: Käepidemete paigaldamisel paigutage juhtmed nii, et need ei jääks käepidemete vahel millegi külge kinni. Kui juhe on kahjustatud, ei pruugi niiduki lüliti toimida.

1. Seadke alumisel käepidemel olevad avad kohakuti niiduki kerel olevate avadega, seejärel pinguldage ajutiselt 4 polti.
▶ **Joon.1:** 1. Alumine käepide 2. Polt
2. Pinguldage tugevasti 4 polti, mis olid 1. sammus ajutiselt pinguldatud, kasutades otsvõtit 13.
3. Viige alumises käepidemes olev ava kohakuti ülemises käepidemes oleva avaga, sisestage seejärel seestpoolt poldid ja pinguldage otsvõtmega 13 väljaspool asuvat mutrit. Korrake sama protseduuri teisel pool.
▶ **Joon.2:** 1. Polt 2. Alumine käepide 3. Mutter 4. Ava 5. Ülemine käepide

⚠ETTEVAATUST: Hoidke ülemist käepidet kindlalt, nii et see ei kukuks teil käest maha. Muidu võib käepide maha kukkuda ja kehavigastuse põhjustada.

4. Kinnitage hoidikud käepidemele.

Viige korpusel olevad sälgud kohakuti käepidemel olevate avadega nii, et sälgud sobituksid avade sisse. Paigutage trossid joonisel näidatud asendisse.

- ▶ **Joon.3:** 1. Juhe 2. Hoidik

Multšimiskorgi eemaldamine

1. Avage tagakaas.
▶ **Joon.4:** 1. Tagakaas
2. Eemaldage multšimiskork, hoides samal ajal hooba all.
▶ **Joon.5:** 1. Hoob 2. Multšimiskork

Murukoguri kokkupanemine

1. Paigaldage raam võimalikult sügavale murukogurisse.
▶ **Joon.6:** 1. Raam 2. Murukogur
2. Kinnitage ülemine klamber joonisel näidatud viisil raamile.
▶ **Joon.7:** 1. Klamber
3. Kinnitage kõik klambrid joonisel näidatud viisil raamile. Veenduge, et kõik klambrid oleks kindlalt raami külge kinnitatud.
▶ **Joon.8**

Murukorvi paigaldamine või eemaldamine

Murukorvi paigaldamiseks tegutsuge järgmiselt.

1. Avage tagakaas.
▶ **Joon.9:** 1. Tagakaas
2. Hoidke murukorvi käepidemest ja seejärel haakige murukorv niiduki kerel olevale vardale, nagu on näidatud joonisel.
▶ **Joon.10:** 1. Varras 2. Käepide 3. Murukogur

Murukorvi eemaldamiseks avage tagakaas ja võtke käepidemest hoides murukorv välja.

Multšimiskorgi kinnitamine

1. Avage tagakaas ja eemaldage murukogur.
▶ **Joon.11:** 1. Tagakaas 2. Murukogur
2. Kinnitage multšimiskork hooba all hoides ja seejärel vabastage hoob multšimiskorgi lukustamiseks.
▶ **Joon.12:** 1. Hoob 2. Multšimiskork

Väljaviskeseadme kinnitamine

1. Avage tagakaas ja eemaldage murukogur.
▶ **Joon.13:** 1. Tagakaas 2. Murukogur
2. Kinnitage multšimiskork hooba all hoides ja seejärel vabastage hoob multšimiskorgi lukustamiseks.
▶ **Joon.14:** 1. Hoob 2. Multšimiskork
3. Avage parempoolne kate ja kinnitage väljaviskeseade.

Sisestage väljaviskeseade konksud parempoolse kate varda alla.

- ▶ **Joon.15:** 1. Parempoolne kate 2. Väljaviskeseade

FUNKTSIONAALNE KIRJELDUS

Portatiivse akukomplekti paigaldamine või eemaldamine

⚠ETTEVAATUST: Lülitage masin alati enne portatiivse akukomplekti paigaldamist või eemaldamist välja.

⚠ETTEVAATUST: Portatiivse akukomplekti paigaldamisel või eemaldamisel tuleb masinat ja akukomplekti kindlalt paigal hoida. Kui neid ei hoita kindlalt paigal, võivad need käest libiseda ning masinat ja portatiivset akukomplekti kahjustada või põhjustada kehavigastusi.

⚠ETTEVAATUST: Veenduge, et portatiivne akukomplekt oleks kindlalt masinale kinnitatud. Muidu võib see juhuslikult masinast välja kukkuda ja põhjustada teile või läheduses viibivatele isikutele vigastusi.

⚠ETTEVAATUST: Veenduge enne käitamist, et juhe oleks kindlalt juhtmehoidikusse kinnitatud ja pistik oleks täielikult pistikupessa ühendatud.

Mudelile PDC1200

1. Suunake portatiivse akukomplekti juhe nagu joonisel näidatud.

▶ **Joon.16:** 1. Portatiivne akukomplekt 2. Juhe

2. Paigaldage portatiivne akukomplekt joonisel näidatud viisil masinale.

▶ **Joon.17:** 1. Aku tugihob 2. Portatiivne akukomplekt 3. Lukustusnupp

⚠ETTEVAATUST: Veenduge, et portatiivne akukomplekt oleks kindlalt lukustatud aku tugihobadele ja lukustusnupp oleks kindlalt lukustatud.

3. Kinnitage juhe joonisel näidatud viisil juhtmehoidikusse. Avage pistikupesa kate, seejärel joonitage pistiku noolemärki masinal olevaga ja sisestage pistik täielikult pistikupessa.

▶ **Joon.18:** 1. Pistikupesa kate 2. Noolemärki 3. Pistikupesa 4. Juhe

TÄHELEPANU: Ärge sisestage pistikut jõuga. Kui pistik ei lähe kergesti sisse, ei sisestata sega õigesti.

TÄHELEPANU: Pistikut pesast eemaldades ärge hoidke kinni juhtmetest, vaid pistikust. Muidu võib juhe kahjustada saada ja põhjustada masina rikke.

4. Avage lukustusvõtme kate, seejärel sisestage lukustusvõti joonisel näidatud kohta nii sügavale kui võimalik ja sulgege seejärel lukustusvõtme kate.

▶ **Joon.19:** 1. Lukustusvõti 2. Lukustusvõtme kate

Portatiivse akukomplekti eemaldamiseks tehke paigaldamise protseduur vastupidises järjekorras.

Mudelile PDC01

MÄRKUS: Enne portatiivse akukomplekti masinale paigaldamist paigaldage vähemalt üks aku akuport 1 või 2 ja vähemalt üks aku akuporti 3 või 4.

1. Suunake portatiivse akukomplekti juhe nagu joonisel näidatud.

▶ **Joon.20:** 1. Portatiivne akukomplekt 2. Juhe

2. Paigaldage portatiivne akukomplekt joonisel näidatud viisil masinale. Lukustage lukustushoovad portatiivse akukomplekti mõlemal poolel.

▶ **Joon.21:** 1. Aku tugihob 2. Lukustushob 3. Portatiivne akukomplekt

⚠ETTEVAATUST: Veenduge, et portatiivne akukomplekt oleks kindlalt lukustatud aku tugihobadele ja lukustushoovad oleks kindlalt lukustatud.

3. Kinnitage juhe joonisel näidatud viisil juhtmehoidikusse. Avage pistikupesa kate, seejärel joonitage pistiku noolemärki masinal olevaga ja sisestage pistik täielikult pistikupessa.

▶ **Joon.22:** 1. Pistikupesa kate 2. Noolemärki 3. Pistikupesa 4. Juhe

TÄHELEPANU: Ärge sisestage pistikut jõuga. Kui pistik ei lähe kergesti sisse, ei sisestata sega õigesti.

TÄHELEPANU: Pistikut pesast eemaldades ärge hoidke kinni juhtmetest, vaid pistikust. Muidu võib juhe kahjustada saada ja põhjustada masina rikke.

4. Avage lukustusvõtme kate, seejärel sisestage lukustusvõti joonisel näidatud kohta nii sügavale kui võimalik ja sulgege seejärel lukustusvõtme kate.

▶ **Joon.23:** 1. Lukustusvõti 2. Lukustusvõtme kate

Portatiivse akukomplekti eemaldamiseks tehke paigaldamise protseduur vastupidises järjekorras.

Masina/aku kaitsesüsteem

Masinal on masina/aku kaitsesüsteem. Süsteem lülitab mootori automaatselt välja, et pikendada masina ja aku tööiga. Masin seiskub käitamise ajal automaatselt, kui masina või aku kohta kehtib üks järgmistest tingimustest:

Ülekoormuskaitse

Kui akut kasutatakse viisil, mis põhjustab ebanormaalselt kõrget voolutaset, siis seiskub masin automaatselt ja toite märgutuli vilgub roheliselt. Sel juhul lülitage masin välja ja lõpetage masina ülekoormuse põhjustanud töö. Pärast seda käivitage masin uuesti.

Ülekuumenemiskaitse

Kui masin või aku on ülekuumenenud, seiskub masin automaatselt ja toite märgutuli süttib punaselt. Laske sellisel juhul masinal ja akul enne masina uuesti siselülitamist jahtuda.

Ülelaadimiskaitse

Kui aku jääkmahtuvus pole piisav, seiskub masin automaatselt ja peamine toite märgutuli vilgub punaselt ning märgutuli süttib. Sellisel juhul eemaldage aku masinast ja laadige akut või vahetage aku täislaetu vastu välja.

Juhtpaneel

Juhtpaneelil on toitelüliti ja režiimi vahetamise nupp.

- **Joon.24:** 1. Koormuseta režiimi lamp 2. Mõra vähendamise režiimi lamp 3. Režiimi vahetamise nupp 4. Toite märgutuli 5. Toitelüliti

Toitelüliti

▲HOIATUS: Kui seadet ei kasutata, lülitage toitelüliti alati välja.

Masina sisselülitamiseks vajutage toitelüliti. Toite märgutuli süttib roheliselt. Masina väljalülitamiseks vajutage toitenuppu uuesti.

MÄRKUS: Kui toitelamp süttib punaselt või vilgub punaselt või roheliselt, vaadake masina/aku kaitse-süsteemi juhiseid.

MÄRKUS: Sellel masinal on automaatse väljalülitamise funktsioon. Juhukäivituse vältimiseks lülitub toitelüliti automaatselt välja, kui lüliti- ja sõiduhuoba (kui see on olemas) pärast toitelüliti sisselülitamist teatava aja vältel ei kasutata.

Režiimi vahetamise nupp

Töörežiimi saab muuta režiimi vahetamise nupuga. Kui masin on sisse lülitatud, käivitub ta normaalrežiimis.

Režiimi vahetamise nuppu vajutades lülitub masin koormuseta režiimile ja koormuseta režiimi lamp süttib roheliselt. Koormuseta režiimis saate vähendada käivitamise tagalööki.







Režiimi vahetamise nuppu vajutades lülitub masin mõra vähendamise režiimile ja mõra vähendamise režiimi lamp süttib roheliselt. Mõra vähendamise režiimis saadab niitmist väiksem mõra.

Režiimi vahetamise nupule uuesti vajutamisel naaseb masin normaalrežiimi.

Aku jääkmahutavuse näit

Aku tühjenemisel hakkab indikaatorlamp vilkuma või süttib.

- **Joon.25:** 1. Märgutuli

| Märgutuli | | | Jääkmahutavus |
|--|---|--|---------------|
|  Ei põle |  Vilgub |  Põleb | |
|  | | | 20% kuni 100% |
|  | | | 0% kuni 20% |
|  | | | Laadige akut. |

MÄRKUS: Aku jääkmahutavuse märgutuled on pelgalt viitelised. Tegelik aku jääkmahutavus võib olla olenevalt kasutamistingimustest erinev.

MÄRKUS: Kui masin lõpetab töötamise, uuendatakse indikaatorlambi näidikut.

Lüliti funktsioneerimine

▲HOIATUS: Kontrollige alati enne portatiivse akukomplekti sisestamist, kas hooblüliti töötab nõuetekohaselt ja kas see liigub pärast vabastamist algasendisse tagasi. Masina juhtimine lüliti abil, mis ei toimi korralikult, võib kaasa tuua kontrolli kaotamise ja põhjustada raskeid vigastusi.

MÄRKUS: Niiduk ei käivitu, kui te toitelüliti ei vajuta (seda ka juhul, kui hooblüliti tõmbate).

MÄRKUS: Niiduk ei pruugi ülekoormuse tõttu käivituda, kui üritate niita liiga kõrget või tihedat heina. Sellisel juhul suurendage niitmiskõrgust.

Sellel niidukil on lukustusvõti ja käepidemel olev lüliti. Kui märkate lukustusvõtmee või lülitiga seoses midagi ebatavalist, seisake niiduk viivitamatult ja laske neid lähimas Makita volitatud teeninduskeskuses kontrollida.

1. Paigaldage portatiivne akukomplekt ja sisestage seejärel lukustusvõti.
2. Vajutage portatiivse akukomplekti toitenuppu. Toite märgutuli süttib.

Mudelile PDC1200

- **Joon.26:** 1. Toitenupp 2. Toite märgutuli

Mudelile PDC01

- **Joon.27:** 1. Toitenupp 2. Toite märgutuli

3. Vajutage toitelüliti.
 4. Tõmmake hooblüliti enda poole samal ajal, kui lülitisnuppu all hoiate. Vabastage lülitisnupp niipea, kui mootor käivitub.
- **Joon.28:** 1. Lülitisnupp 2. Hooblüliti

MÄRKUS: Kui lukustusvõti ei ole sisestatud, hakkab toitelamp lülitihooba tõmmates roheliselt vilkuma.

5. Hooblüliti vajutamise ajal lükake sõiduhuoba ette ja hoidke seda tagarataste juhtimiseks all.
- **Joon.29:** 1. Sõiduhuob

MÄRKUS: Tagarattaid saate juhtida sõiduhuoba ettepoole lükates ja seda ilma hooblüliti vajutamata hoides.

6. Masina seiskamiseks vabastage sõiduhuob ja hooblüliti.

Niitmiskõrguse reguleerimine

▲HOIATUS: Äрге pange niitmiskõrguse reguleerimisel käsi või jalgu kunagi niiduki alla.

▲HOIATUS: Veenduge alati enne seadme kasutamist, et hoob sobituks soonde.

Niitmiskõrgust saab reguleerida vahemikus 20 mm ja 100 mm.

Eemaldage lukustusvõti, tõmmake niitmiskõrguse reguleerimishooba niiduki korpusest väljapoole ja viige soovitud niitmiskõrgusele.

- **Joon.30:** 1. Niitmiskõrguse reguleerimishoob

Allpool esitatud tabelis on näidatud suhet niiduki kerel oleva numbri ja ligikaudse niitmiskõrguse vahel.

| Number | Niitmiskõrgus |
|--------|---------------|
| 1 | 20 mm |
| 2 | 26 mm |
| 3 | 32 mm |
| 4 | 39 mm |
| 5 | 47 mm |
| 6 | 55 mm |
| 7 | 63 mm |
| 8 | 74 mm |
| 9 | 86 mm |
| 10 | 100 mm |

Hoidke ühe käega eesmist või alumist käepidet ja liigutage seejärel teise käega niitmiskõrguse reguleerimishooba.

- **Joon.31:** 1. Niitmiskõrguse reguleerimishoob
2. Alumine käepide 3. Eesmine käepide

MÄRKUS: Niitmiskõrguse näitajaid tuleks kasutada orientiirina. Maapinna ja muru seisundist olenevalt võib tegelik murukõrgus olla valitud kõrgusest erinev.

MÄRKUS: Katsetage muru niitmiskõrguse seadistust vähem nähtavas kohas, et leida sobiv kõrgus.

Rohutaseme indikaator

Rohutaseme indikaator näitab niidetud rohu mahtu. Kui murukogur ei ole täis, siis indikaator ujub terade pöörlemise ajal.

- **Joon.32:** 1. Rohutaseme indikaator

Kui murukogur on peaaegu täis, siis indikaator ei uju terade pöörlemise ajal. Sellisel juhul peatage kohe töö ja tühjendage kogur.

- **Joon.33:** 1. Rohutaseme indikaator

MÄRKUS: Selle indikaatori puhul on tegemist ligikaudse näidikuga. Kruvikeeraja on varustatud kruvide sisestamise sügavuse regulaatoriga.

Käepideme kõrguse reguleerimine

⚠ETTEVAATUST: Enne poltide eemaldamist hoidke ülemisest käepidemest kindlalt kinni. Muidu võib käepide maha kukkuda ja kehavigastuse põhjustada.

Käepideme kõrgust saab reguleerida kahele tasemele.

1. Eemaldage alumise käepideme ülemised poldid, kasutades otsvõti 13, ja seejärel lõdvendage alumised poldid.

- **Joon.34:** 1. Ülemine polt 2. Alumine polt

2. Reguleerige käepideme kõrgust ja pinguldage tugevalt ülemisi ja alumisi polte.

Liikumiskiiruse reguleerimine

- **Joon.35:** 1. Kiiruse hoob

Liikumiskiirust saab reguleerida kiiruse hooba kasutades. Kiiruse vähendamiseks tõmmake hooba enda poole ja kiiruse suurendamiseks lükake seda ette poole.

Multšimiskorgi kasutamine

Multšimiskork võimaldab teil niidetud muru tagasi maha lasta, ilma et see murukogurisse kogutaks. Kui kasutate masinat multšimiskorgiga, siis eemaldage kindlasti murukogur.

TÄHELEPANU: Masina multšimiskorgiga kasutamisel veenduge, et muru kogupikkus pärast niitmist oleks 30 mm või rohkem, ja löikepikkus oleks 15 mm või vähem.

- **Joon.36:** (1) 30 mm või rohkem (2) 15 mm või vähem

Väljaviskeseadme kasutamine

Väljaviskeseade võimaldab teil niidetud muru masina parempoolsest osast välja heita, ilma et see murukogurisse kogutaks. Kui kasutate masinat väljaviskeseadmega, siis kinnitage kindlasti multšimiskork ja eemaldage murukogur.

Elektroniline funktsioon

Masin on varustatud lihtsamaks kasutamiseks elektrooniliste funktsioonidega.

- Tera pöörlemise püsikiiruse juhtimine
Elektroniline kiiruse juhtimine püsikiiruse saavutamiseks. Muudab võimalikuks täpselt viimistlemise, kuna pöörlemiskiirus püsib ühtlasena ka koormuse tingimustes.
- Sujuvkäivitamine juhtimisel
Sujuvkäivitamise funktsioon minimeerib käivitamisel tagasilööki ja võimaldab masinal sujuvalt käivituda.
- Elektriline pidur
Masinal on elektriline pidur. Kui masin ei suuda pidevalt pärast hooblüüti vabastamist kiiresti niiduki terasid seisata, viige see hooldusse Makita volitatud teeninduskeskusesse.

TÖÖRIISTA KASUTAMINE

Niitmine

⚠HOIATUS: Puhastage niidetav ala enne niitmist okstest ja kividest. Lisaks puhastage niidetav ala enne niitmist ka umbrohost.

⚠HOIATUS: Kandke niiduki kasutamisel alati kaitseprille (või nt külgmiste kaitsetega kaitseprille).

⚠ETTEVAATUST: Kui muru või kõrvaline ese on niiduki korpuse seestpoolt ummistanud, võtke enne muru või kõrvalise eseme eemaldamist välja lukustusvõti ja akukassett ning pange kindad kätte.

TÄHELEPANU: Kasutage seda seadet ainult muru niitmiseks. Ärge kasutage seda seadet umbrohu niitmiseks.

► **Joon.37**

Hoidke niitmisel kindlalt kahe käega käepidemest kinni. Soovitavalt niitmiskiirus on ligikaudu 7 kuni 14 meetrit 10 sekundi jooksul.

► **Joon.38**

Niitmislaiuse orientiiriks on esirataste keskjooned. Niitke ribad kaupa, kasutades keskjooni abijoontena. Niitke kuni ühe kolmandiku ulatuses eelmise riba peal (kattuv ala) – nii niidate muru ühtlaselt.

► **Joon.39:** 1. Niitmislaius 2. Kattuv ala 3. Keskjoon

Muutke iga kord niitmise suunda, et ei tekiks ühesuunalist muru mustrit.

► **Joon.40**

Kontrollige regulaarselt murukoguris oleva niidetud muru kogust. Tühjendage murukogur enne selle täitumist. Enne iga sellist kontrolli seisake niiduk ning eemaldage seejärel lukustusvõti ja portatiivse aku komplekti pistikupesa niidukist.

TÄHELEPANU: Täis murukogur takistab niiduki lõiketeradel sujuvalt pöörelda ja lisab mootorile lisakoormuse, mis võib põhjustada mootoririkkeid.

Kõrge muru niitmine

Ärge püüdke lõigata kõrget muru korraga. Selle asemel niitke muru mitmes etapis. Jätke niitmiste vahele üks või kaks päeva, et muru muutuks ühtlaselt lühikeseks.

► **Joon.41**

MÄRKUS: Kõrge rohu korraga lühikeseks niitmine võib põhjustada muru kuivamise. Samuti võib niidetud muru ummistada seest niiduki korpuse.

Murukoguri tühjendamine

HOIATUS: Õnnetuste ärahoidmiseks kontrollige murukogurit regulaarselt kahjustuste või tugevuse vähenemise suhtes. Vajaduse korral vahetage murukogur.

1. Vabastage lüliti hoob ja sõiduhuob.
 2. Eemaldage lukustusvõti.
 3. Avage tagakaas ja võtke käepidemest hoides murukoguja korv välja.
- **Joon.42:** 1. Tagakaas 2. Käepide 3. Murukoguja
4. Tühjendage murukogur.

HOOLDUS

HOIATUS: Veenduge alati enne niiduki hoius-tamist, kandmist, kontrollimist või hooldamist, et lukustusvõti ja portatiivne akukomplekt oleksid niidukist eemaldatud.

HOIATUS: Kui niidukit ei kasutata, eemaldage alati lukustusvõti. Hoistage lukustusvõtit turvalises ja lastele kättesaamatus kohas.

HOIATUS: Kandke kontrollimise või hooldamise ajal kaitsekindaid.

HOIATUS: Kandke niiduki kontrollimisel või hooldamisel alati kaitseprille või külgmiste kaitsemetega kaitseprille.

TÄHELEPANU: Ärge kunagi kasutage bensiini, vedeldit, alkoholi ega midagi muud sarnast. Selle tulemuseks võib olla luitumine, deformatsioon või pragunemine.

Toote OHUTUSE ja TÖÖKINDLUSE tagamiseks tuleb vajalikud remonttööd ning muud hooldus- ja reguleerimistööd lasta teha Makita volitatud teeninduskeskustes või tehase teeninduskeskustes. Alati tuleb kasutada Makita varuosi.

Hooldus

1. Eemaldage lukustusvõti ja portatiivne akukomplekt.
2. Asetage niiduk küljele, nii et niitmiskõrguse reguleerimishoob jääb üles. Puhastage niiduki kere alla kogunenud murujäägid.
3. Valage vett masina põhja suunas, kuhu kinnitati tera.

TÄHELEPANU: Ärge peske masinat kõrgsurvepesuriga.

4. Kontrollige kõikide mutrite, poltide, kruvide jne pingust.
5. Kontrollige liikuvaid osi kahjustuste, purunemise ja kulumise suhtes. Kahjustatud või puuduvad osad tuleb remontida või välja vahetada.
6. Hoidke niidukit turvalises ja lastele kättesaamatus kohas.

TÄHELEPANU: Ärge valage vett joonisel näidatud piirkonda. Vee valamine mootoriüksusesse võib põhjustada masina rikke.

► **Joon.43:** 1. Piirkond kuhu vett ei tohiks valada

Niiduki kandmine

Hoidke niiduki kandmise ajal kahe inimesega joonisel näidatud viisil eesmisest ja tagumisest käepidemest.

► **Joon.44:** 1. Eesmine käepide 2. Tagumine käepide

Hoiundamine

Hoidke niidukit siseruumis jahedas, kuivas ja lukustatud kohas. Ärge hoidke niidukit ega laadurit kohtades, kus temperatuur võib tõusta üle 40 °C.

Niiduki tera eemaldamine või paigaldamine

⚠HOIATUS: Pärast lüliti vabastamist pöörleb lõiketera mõned sekundid tühikäigul. Ärge alustage toiminguid enne, kui tera on täielikult seiskunud.

⚠HOIATUS: Eemaldage lukustusvõti ja portaatiivne akukomplekt alati enne lõiketera eemaldamist või paigaldamist. Lukustusvõtme ja portaatiivse akukomplekti eemaldamata jätmine võib tuua kaasa raskeid vigastusi.

⚠HOIATUS: Kandke lõiketera käsitsemisel alati kaitsekindaid.

Niiduki tera eemaldamine

Sirge niiduki teraga mudelite puhul

1. Asetage niiduk küljele, nii et niitmiskõrguse reguleerimishoob jääb üles.
2. Tera lukustamiseks sisestage tihvt niiduki kerel olevasse avasse.
3. Keerake polti otsvõtmega 17 vastupäeva.
▶ **Joon.45:** 1. Niiduki tera 2. Tihvt 3. Otsvõti
4. Eemaldage polt ja seejärel niiduki tera.
▶ **Joon.46:** 1. Tera tugi 2. Niiduki tera 3. Polt 4. Eenduv osa

TÄHELEPANU: Niiduki tera paigaldamisel veenduge, et tera toel asuvad sälgud sobituksid niiduki teral olevate avadega.

Tagasipööratud niiduki teradega mudelite puhul

1. Asetage niiduk küljele, nii et niitmiskõrguse reguleerimishoob jääb üles.
2. Alusplaadi lukustamiseks sisestage tihvt läbi alusplaadil oleva ava niiduki kerel olevasse avasse.
3. Keerake polti otsvõtmega 17 vastupäeva.
▶ **Joon.47:** 1. Tihvt 2. Alusplaat 3. Otsvõti
4. Eemaldage polt ja seejärel alusplaat.
▶ **Joon.48:** 1. Tera tugi 2. Alusplaat 3. Polt 4. Eenduv osa

TÄHELEPANU: Niiduki terade paigaldamisel veenduge, et tera toel asuvad sälgud sobituksid alusplaadil olevate avadega.

5. Üksiku niiduki tera eemaldamiseks keerake polti otsvõtmega 17 vastupäeva, hoides alusplaadist samal ajal kinni.
▶ **Joon.49:** 1. Alusplaat 2. Niiduki tera 3. Otsvõti
6. Eemaldage järjekorras mutter, seib, vedruseib, niiduki tera ja polt.
▶ **Joon.50:** 1. Poldi ava 2. Polt 3. Niiduki tera 4. Vedruseib 5. Seib 6. Mutter

TÄHELEPANU: Üksikute niiduki terade paigaldamise ajal rakendage mutrite pinguldamiseks 30 N•m suurust pingutusmomenti.

TÄHELEPANU: Üksiku niiduki tera paigaldamisel kinnitage vedruseib joonisel näidatud suunas.

TÄHELEPANU: Üksiku niiduki tera paigaldamisel sisestage poldid joonisel näidatud poldi avadesse.

Niiduki tera paigaldamine

⚠HOIATUS: Paigaldage niiduki tera hoolikalt. Sellel on ülemine/alumine külg.

⚠HOIATUS: Pinguldage polti päripäeva, et lõiketera fikseerida.

⚠HOIATUS: Veenduge, et niiduki tera ja kõik selle kinnitusosad oleksid korralikult paigaldatud ja kindlalt pingutatud.

⚠HOIATUS: Terasid vahetades järgige alati juhendis toodud juhtnööre.

TÄHELEPANU: Pärast niiduki terade paigaldamist eemaldage niiduki kerelt tihvt.

Niiduki terade paigaldamiseks järgige eemaldamise protseduuri vastupidises järjekorras.

VEAOTSING

Enne parandustöökotta pöördumist kontrollige esmalt ise seadet. Ärge proovige masinat lahti võtta, kui leiate probleemi, mida kasutusjuhendis ei kirjeldata. Selle asemel pöörduge Makita volitatud teeninduskeskusesse, kus kasutatakse parandamisel alati Makita tagavaraosi.

| Tõrge | Võimalik põhjus (riike) | Lahendus |
|--|---|--|
| Niiduk ei käivitu. | Aku ei ole paigaldatud. | Paigaldage laetud aku. |
| | Akuga seotud probleem (alapinge) | Laadige aku. Kui laadimine ei anna tulemust, vahetage aku välja. |
| | Lukustusvõti ei ole sisestatud. | Sisestage lukustusvõti. |
| Mootor seiskub pärast lühiajalist töötamist. | Aku laetustase on madal. | Laadige aku. Kui laadimine ei anna tulemust, vahetage aku välja. |
| | Niitmiskõrgus on liiga madal. | Suurendage niitmiskõrgust. |
| | Niidetud muru on niiduki ummistanud. | Eemaldage niidukisse kinni jäänud muru. |
| Mootor ei saavuta maksimaalset pöörlemiskiirust. | Aku ei ole õigesti paigaldatud. | Paigaldage aku juhendis kirjeldatud viisil. |
| | Aku võimsus langeb. | Laadige aku. Kui laadimine ei anna tulemust, vahetage aku välja. |
| | Veosüsteem ei tööta korralikult. | Paluge volitatud teeninduskeskuses teha parandustööd. |
| Niiduki tera ei pöörle: ⇒ seisake kohe niiduk! | Kõrvaline ese, näiteks puuoks on tera blokeerinud. | Eemaldage kõrvaline ese. |
| | Veosüsteem ei tööta korralikult. | Paluge volitatud teeninduskeskuses teha parandustööd. |
| Ebatavaline vibratsioon: ⇒ seisake kohe niiduk! | Tera ei ole tasakaalus või on ülemäära või ebahühtlaselt kulunud. | Vahetage tera. |

VALIKULISED TARIKUD

⚠ETTEVAATUST: Neid tarvikuid ja liseseadmeid on soovitatav kasutada koos Makita masinaga, mille kasutamist selles kasutusjuhendis kirjeldatakse. Muude tarvikute ja liseseadmete kasutamisega võib kaasneda vigastusohu. Kasutage tarvikuid ja liseseadmeid ainult otstarbekohaselt.

Saate vajaduse korral kohalikust Makita teeninduskeskusest lisateavet nende tarvikute kohta.

- Niiduki tera
- Makita algupärane aku ja laadija

MÄRKUS: Mõned nimekirjas loetletud tarvikud võivad olla lisatud põhivarustusena toote pakendisse. Need võivad riigiti erineda.

ТЕХНИЧЕСКИЕ ХАРАКТЕРИСТИКИ

| | | |
|--|---|---|
| Модель: | | LM001C |
| Ширина скашивания (диаметр лезвия) | | 534 мм |
| Число оборотов без нагрузки | Нормальный режим | 2 800 мин ⁻¹ |
| | Плавный режим без нагрузки | 2 300–2 800 мин ⁻¹ |
| | Режим снижения уровня шума | 2 300 мин ⁻¹ |
| Сменное лезвие газонокосилки, номер детали | Прямое лезвие газонокосилки | 191D52-7 |
| | Откидные лезвия косилки *1 | 191D50-1 |
| | Откидные лезвия косилки *2 | 191D48-8 |
| Размеры (Д × Ш × В) | | Д: от 1 630 мм до 1 715 мм Ш: 590 мм В: от 990 мм до 1 095 мм |
| Скорость передвижения | | 2,5–5,0 км/ч |
| Номинальное напряжение | | 36 В – 40 В пост. тока макс. |
| Масса нетто | Когда установлено прямое лезвие газонокосилки | 42,1 – 48,9 кг |
| | Когда установлены откидные лезвия косилки | 42,8–49,5 кг |
| Степень защиты | | IPX4 |

*1. Плита основания и отдельные лезвия газонокосилки.

*2. Только отдельные лезвия газонокосилки.

- Благодаря нашей постоянно действующей программе исследований и разработок указанные здесь технические характеристики могут быть изменены без предварительного уведомления.
- Технические характеристики могут различаться в зависимости от страны.
- Масса может отличаться в зависимости от дополнительного оборудования. Обратите внимание, что блок аккумулятора также считается дополнительным оборудованием. В таблице представлены комбинации с наибольшим и наименьшим весом в соответствии с процедурой EPTA 01/2014.

Подходящий портативный блок питания

PDC1200 / PDC01

⚠ ОСТОРОЖНО: Используйте только портативные блоки питания, перечисленные выше. Использование других портативных блоков питания может привести к травме и/или пожару.

Символы

Ниже приведены символы, которые могут использоваться для обозначения оборудования. Перед использованием убедитесь в том, что вы понимаете их значение.



Обратите особое внимание.



Прочитайте руководство по эксплуатации.



Опасность! Возможен разлет твердых предметов.



Расстояние от инструмента до находящихся поблизости людей должно быть не менее 15 м.



Не приближайте руки и ноги к ножам под днищем газонокосилки. После выключения электромотора лезвия продолжают вращаться.



Перед осмотром, регулировкой, очисткой, обслуживанием, оставлением и хранением газонокосилки извлекайте ключ блокировки.



Электрическая опасность. Попадание воды на машину может привести к поражению электрическим током.



Не допускайте попадания воды на машину.



Прикрепите шнур к держателям шнура.



Только для стран ЕС
В связи с наличием в оборудовании опасных компонентов отходы электрического и электронного оборудования, аккумуляторы и батареи могут оказывать негативное влияние на окружающую среду и здоровье человека.
Не выбрасывайте электрические и электронные устройства или батареи вместе с бытовыми отходами!
В соответствии с директивой ЕС по отходам электрического и электронного оборудования, по аккумуляторам, батареям и отходам аккумуляторов и батарей, а также в соответствии с ее адаптацией к национальному законодательству, отходы электрического оборудования, батареи и аккумуляторы следует хранить отдельно и доставлять на пункт раздельного сбора коммунальных отходов, работающий с соблюдением правил охраны окружающей среды. Это обозначено символом в виде перечеркнутого мусорного контейнера на колесах, нанесенным на оборудование.

Назначение

Газонокосилка предназначена для стрижки газонов.

Об этом руководстве по эксплуатации

Термины “аккумулятор” или “блок аккумулятора” в данном руководстве означают такое:

- Портативный блок питания
- Портативный блок питания, в котором установлены блоки аккумулятора
- Блок аккумулятора, установленный в портативном блоке питания

Шум

Типичный уровень взвешенного звукового давления (A), измеренный в соответствии с EN60335-2-77:

ПРИМЕЧАНИЕ: значения были измерены на газонокосилке, оснащенной прямым лезвием.

Уровень звукового давления (L_{pA}): 80,0 дБ (A)

Уровень звуковой мощности (L_{WA}): 91,2 дБ (A)

Погрешность (K): 3 дБ (A)

Уровень шума при выполнении работ может превышать 80 дБ (A).

ПРИМЕЧАНИЕ: Заявленное значение распространения шума измерено в соответствии со стандартной методикой испытаний и может быть использовано для сравнения инструментов.

ПРИМЕЧАНИЕ: Заявленное значение распространения шума можно также использовать для предварительных оценок воздействия.

⚠ОСТОРОЖНО: Используйте средства защиты слуха.

⚠ОСТОРОЖНО: Распространение шума во время фактического использования электроинструмента может отличаться от заявленного значения в зависимости от способа применения инструмента и в особенности от типа обрабатываемой детали.

⚠ОСТОРОЖНО: Обязательно определите меры безопасности для защиты оператора, основанные на оценке воздействия в реальных условиях использования (с учетом всех этапов рабочего цикла, таких как выключение инструмента, работа без нагрузки и включение).

Вибрация

Суммарное значение вибрации (сумма векторов по трем осям), определенное в соответствии с EN60335-2-77:

ПРИМЕЧАНИЕ: значения были измерены на газонокосилке, оснащенной прямым лезвием.

Распространение вибрации (a_n): 2,5 м/с² или менее
Погрешность (K): 1,5 м/с²

ПРИМЕЧАНИЕ: Заявленное общее значение распространения вибрации измерено в соответствии со стандартной методикой испытаний и может быть использовано для сравнения инструментов.

ПРИМЕЧАНИЕ: Заявленное общее значение распространения вибрации можно также использовать для предварительных оценок воздействия.

⚠ОСТОРОЖНО: Распространение вибрации во время фактического использования электроинструмента может отличаться от заявленного значения в зависимости от способа применения инструмента и в особенности от типа обрабатываемой детали.

⚠ОСТОРОЖНО: Обязательно определите меры безопасности для защиты оператора, основанные на оценке воздействия в реальных условиях использования (с учетом всех этапов рабочего цикла, таких как выключение инструмента, работа без нагрузки и включение).

Декларация о соответствии ЕС

Только для европейских стран

Декларация о соответствии ЕС включена в руководство по эксплуатации (Приложение А).

МЕРЫ БЕЗОПАСНОСТИ

ВАЖНЫЕ ИНСТРУКЦИИ ПО ТЕХНИКЕ БЕЗОПАСНОСТИ

⚠ОСТОРОЖНО: Ознакомьтесь со всеми инструкциями и рекомендациями по технике безопасности. Невыполнение инструкций и рекомендаций может привести к поражению электротоком, пожару и/или тяжелым травмам.

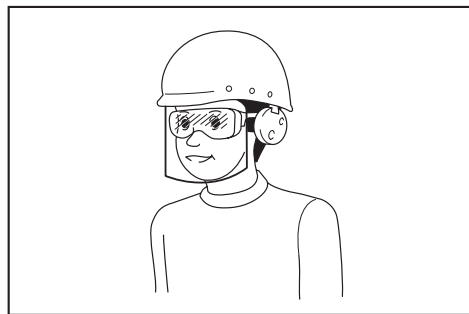
Сохраните брошюру с инструкциями и рекомендациями для дальнейшего использования.

Использование

1. Внимательно прочитайте инструкции. Ознакомьтесь со всеми элементами управления и правилами надлежащей эксплуатации газонокосилки.
2. Не разрешайте детям и лицам, не знакомым с данными инструкциями, пользоваться косилкой. В местном законодательстве могут существовать возрастные ограничения для операторов.
3. Запрещается эксплуатировать газонокосилку, если поблизости находятся люди (в особенности дети) или животные.
4. Помните, что оператор/пользователь несет ответственность за происшествия и опасные ситуации с другими людьми или их собственностью.
5. Следует следить за маленькими детьми, чтобы они не использовали газонокосилку в качестве игрушки.
6. Физическое состояние – не эксплуатируйте газонокосилку, находясь под действием наркотиков, алкоголя или лекарств.

Подготовка

1. На время эксплуатации косилки обязательно надевайте прочную обувь и длинные брюки. Не пользуйтесь оборудованием босиком или в открытых сандалиях. Не следует носить галстук, свободную одежду или украшения, а также одежду, украшенную свисающими шнурами. Их может затянуть движущимися деталями.
2. Перед началом работы осматривайте газонокосилку на предмет поврежденных, отсутствующих или неправильно установленных ограждений или экранов.
3. Перед началом работы убедитесь, что поблизости никого нет. Если кто-либо приблизился, выключите газонокосилку.
4. Не вставляйте ключ блокировки в газонокосилку, пока она не будет готова к эксплуатации.
5. Во время работы с электроинструментом всегда надевайте защитные очки. Очки должны соответствовать ANSI Z87.1 для США, EN 166 для Европы, или AS/NZS 1336 для Австралии и Новой Зеландии. В Австралии и Новой Зеландии оператор также обязан носить защитную маску.



Ответственность за использование средств защиты операторами и другим персоналом вблизи рабочей зоны возлагается на работодателя.

6. Перед эксплуатацией тщательно осмотрите лезвия и болты лезвий и убедитесь в отсутствии трещин или поврежденных. Немедленно замените треснувшие или поврежденные лезвия или болты лезвий.
7. Перед началом работы очистите площадку от посторонних предметов (каменной, проволоки, бутылок, костей и больших палок), чтобы не допустить травм или повреждения газонокосилки.
8. Предметы, отброшенные лезвием газонокосилки, могут нанести тяжелые травмы. Перед началом работы необходимо тщательно осмотреть газон и очистить его от всех предметов.
9. Осматривайте газон на предмет углублений, колеи, ухабов, камней или других скрытых предметов. Неровности поверхности могут стать причиной поскользывания и падения. Высокая трава может скрывать препятствия.
10. Запрещается вставлять или вынимать ключ блокировки под дождем.
11. Используйте индивидуальные средства защиты. Всегда надевайте защитные очки. Такие средства индивидуальной защиты, как маска от пыли, защитная нескользящая обувь, каска или наушники, используемые в соответствующих условиях, позволяют снизить риск получения травмы.

Выполнение работы

1. Во время работы с устройством не тяните. Всегда сохраняйте равновесие. При работе на склонах занимайте устойчивое положение. Передвигайтесь шагом, не бегите.
2. Остановите газонокосилку, извлеките ключ блокировки и убедитесь в том, что все движущиеся части полностью остановились, если:
 - оставляете машину;
 - планируете устранять засоры и удалять предметы, закупорившие желоб;
 - собираетесь проверять, очищать оборудование или выполнять его обслуживание;
 - оборудование ударилось о посторонний предмет. Перед повторным запуском осмотрите машину на предмет повреждений и устраните неисправность:
 - при появлении аномальной вибрации в газонокосилке.
3. Запрещается использовать машину с неисправными ограждениями и экранами или без защитных приспособлений, например дефлекторов или бункера для сбора травы.
4. Не рекомендуется использовать газонокосилку в неблагоприятных погодных условиях, особенно если существует риск удара молнии.
5. При эксплуатации газонокосилки обязательно носите средства защиты глаз и прочную обувь.
6. Используйте устройство только в дневное время или при хорошем искусственном освещении.

7. Осторожно включайте газонокосилку в соответствии с инструкциями, ноги при этом должны находиться как можно дальше от лезвий.
8. Соблюдайте меры безопасности во избежание травмирования ног и рук лезвием газонокосилки.
9. Следите за тем, чтобы вентиляционные отверстия не были засорены.
10. Выполняйте стрижку газонов поперек склона, а не вниз-вверх. Соблюдайте особую осторожность, меняя направление движения на склонах. Не выполняйте стрижку чересчур крутых склонов.
11. Соблюдайте особую осторожность, перемещая газонокосилку задним ходом или подтягивая ее к себе.
12. Обязательно остановите лезвие(я), если машину необходимо наклонить для транспортировки по поверхности, отличной от травы, либо при транспортировке машины к месту эксплуатации и обратно.
13. Не наклоняйте газонокосилку при включении двигателя, кроме случаев, когда ее необходимо наклонять для пуска. В этом случае наклоняйте ее на минимально необходимый угол и поднимайте только дальнюю от оператора часть. При опускании газонокосилки на землю всегда крепко держите рукоятку обеими руками.
14. Не помещайте руки или ноги под вращающиеся детали или вблизи них. Никогда не становитесь перед разгрузочным отверстием.
15. Не транспортируйте включенную газонокосилку.
16. Не рекомендуется использовать машину на мокрой траве.
17. Постоянно надежно удерживайте рукоятку.
18. Поднимая или удерживая косилку, не беритесь за оголенные ножи или режущие кромки.
19. Не приближайте руки и ноги к вращающимся ножам. Внимание - лезвия продолжают вращаться после отключения газонокосилки.
20. Немедленно прекратите выполнение операции, если заметите отклонения в работе. Выключите газонокосилку и извлеките ключ блокировки. Затем осмотрите газонокосилку.
21. Запрещается регулировать высоту скашивания во время движения газонокосилки (если газонокосилка позволяет регулировать высоту скашивания).
22. Отпустите рычажный выключатель и дождитесь остановки лезвия, прежде чем переходить улицы, пешеходные дорожки, дороги и любые области с гравийным покрытием. Кроме того, извлекайте ключ блокировки, если выпускаете газонокосилку из рук, нагибаетесь, чтобы подобрать или убрать что-либо с дороги, или по любой другой причине, которая может отвлечь вас от работы.
23. Если газонокосилка ударилась о посторонний предмет, выполните следующее:
 - выключите газонокосилку, отпустите рычажный выключатель и дождитесь полной остановки лезвия;
 - Извлеките ключ блокировки и блок аккумулятора.
 - внимательно осмотрите газонокосилку на предмет повреждений;
 - замените лезвие, если оно повреждено. Устраните повреждения, прежде чем перезапускать газонокосилку и возобновлять работу.
24. Не включайте двигатель, стоя перед разгрузочным отверстием.
25. Если начинается непредусмотренная вибрация машины (немедленно проверьте)
 - осмотрите на предмет повреждений;
 - замените или отремонтируйте поврежденные детали;
 - проверьте на предмет ослабленных деталей и подтяните их.
26. Не направляйте поток срезанного материала на людей. Не направляйте поток срезанного материала на стену или какой-либо предмет. Срезанный материал может отскочить в сторону оператора. Остановите лезвия на время транспортировки по поверхности из гравия.
27. Не тяните газонокосилку назад без крайней необходимости. Если необходимо отвести косилку от забора или другого аналогичного препятствия, смотрите назад себе под ноги до начала движения, а также во время движения задним ходом.
28. Прежде чем снимать травосборник, отключите двигатель и подождите, пока лезвие полностью остановится. Имейте в виду, что лезвия продолжают вращаться после отключения.
29. При использовании устройства в грязи, на влажном склоне или на скользкой поверхности будьте осторожны, чтобы не поскользнуться.
30. Избегайте работать в сложных условиях, в которых ожидается повышенная усталость пользователя.
31. Не используйте устройство в неблагоприятных погодных условиях, когда видимость ограничена. Несоблюдение этого требования может привести к падению или неправильной эксплуатации устройства из-за плохой видимости.
32. Не допускайте погружения устройства в лужи.
33. В случае прилипания мокрых листьев или грязи ко входу для всасывания (вентиляционному отверстию) удалите их.
34. Запрещается использовать устройство в снегопад.
35. Если срезанная трава является мокрой, она может скапливаться внутри устройства. Регулярно проверяйте состояние устройства и при необходимости удаляйте прилипшую траву.

36. При работе с машиной следите за тем, чтобы не допустить контакта с трубопроводом или проводами.

Техническое обслуживание и хранение

1. Чтобы обеспечить безопасность, заменяйте изношенные и поврежденные детали. Используйте только оригинальные сменные части и приспособления.
2. Регулярно осматривайте и выполняйте техническое обслуживание газонокосилки.
3. Когда газонокосилка не используется, храните ее в недоступном для детей месте.
4. Все гайки, болты и винты должны быть надежно затянуты — это обеспечит безопасность и работоспособность.
5. Чаще проверяйте корзину для травы на предмет износа или повреждений. Помещайте устройство на хранение, обязательно очистите корзину для травы. Для обеспечения безопасности замените изношенную корзину для травы на новую.
6. Пользуйтесь только оригинальными лезвиями производителя, указанными в данном руководстве.
7. Соблюдайте осторожность при регулировке газонокосилки, чтобы не допустить защемления пальцев между движущимися лезвиями и неподвижными деталями машины.
8. Чаще проверяйте надежность затяжки болта крепления лезвия.
9. Перед постановкой на хранение дайте косилке остыть.
10. При обслуживании лезвий следует помнить, что лезвия могут двигаться даже при отключенном питании.
11. Не удаляйте предохранительные устройства и не вносите изменения в их конструкцию. Регулярно проверяйте правильность их работы. Не предпринимайте никаких действий, которые могут повлиять на функционирование предохранительного устройства или снизить степень защиты, обеспечиваемой предохранительным устройством.
12. Не оставляйте устройство без присмотра под открытым небом в дождь.
13. Запрещается мыть устройство струей воды с высоким напором.
14. При мойке устройства обязательно извлеките аккумулятор и ключ блокировки. При мойке вода должна стекать к нижней части устройства, где крепится лезвие.
15. Не храните устройство в помещениях с высокой влажностью или температурой, на солнце или под дождем.
16. Осмотр и техническое обслуживание устройства следует выполнять в месте, защищенном от осадков.
17. После использования устройства очистите его от налипшей грязи и полностью высушите, перед тем как поместить на хранение. В зависимости от времени года и/или региона устройство может выйти из строя из-за замерзания воды.

Эксплуатация и обслуживание электроинструмента, работающего на аккумуляторах

1. Заряжайте аккумулятор только зарядным устройством, указанным изготовителем. Зарядное устройство, подходящее для одного типа аккумуляторов, может привести к пожару при его использовании с другим аккумуляторным блоком.
2. Используйте электроинструмент только с указанными аккумуляторными блоками. Использование других аккумуляторных блоков может привести к травме или пожару.
3. Когда аккумуляторный блок не используется, храните его отдельно от металлических предметов, таких как скрепки, монеты, ключи, гвозди, шурупы или другие небольшие металлические предметы, которые могут привести к закорачиванию контактов аккумуляторного блока между собой. Короткое замыкание между контактами аккумуляторного блока может привести к ожогам или пожару.
4. При неправильном обращении из аккумуляторного блока может потечь жидкость. Избегайте контакта с ней. В случае контакта с кожей промойте место контакта обильным количеством воды. В случае попадания в глаза обратитесь к врачу. Жидкость из аккумулятора может вызвать раздражение или ожоги.
5. Не используйте поврежденные или модифицированные инструменты и аккумуляторные блоки. Поврежденные или модифицированные аккумуляторы могут работать некорректно, что может привести к пожару, взрыву или травмированию.
6. Не подвергайте аккумуляторный блок или инструмент воздействию огня или высокой температуры. Воздействие огня или температуры выше 130 °C может привести к взрыву.
7. Следуйте всем инструкциям по зарядке и не заряжайте аккумуляторный блок или инструмент при температурных условиях, выходящих за пределы диапазона, указанного в инструкции. Зарядка ненадлежащим образом или при температурных условиях, выходящих за пределы указанного диапазона, может привести к повреждению батареи и повысить риск пожара.

Электробезопасность

1. Не бросайте аккумуляторные блоки в огонь. Они могут взорваться. Уточните местные правила утилизации аккумуляторов.
2. Не вскрывайте и не разбивайте аккумуляторы. Содержащийся в них электролит очень едкий, вы можете повредить глаза или кожу. При проглатывании это вещество может вызвать отравление.
3. Не заряжайте аккумулятор под дождем или в местах с повышенной влажностью.
4. Не заряжайте аккумулятор на улице.
5. Не касайтесь зарядного устройства, а также штекера и контактов зарядного устройства влажными руками.
6. Запрещается заменять аккумулятор под дождем.

7. Избегайте смачивания клемм аккумулятора жидкостью, например водой, и не допускайте погружения аккумулятора в жидкость. Запрещается оставлять аккумулятор под дождем, заряжать, использовать или хранить аккумулятор в местах с повышенной влажностью. Мокрые клеммы или попадание жидкости внутрь аккумулятора могут привести к короткому замыканию аккумулятора, его перегреву, возгоранию или взрыву.
8. После извлечения аккумулятора из газонокосилки или зарядного устройства обязательно присоедините к аккумулятору крышку отсека аккумулятора и оставьте его в сухом месте.
9. Запрещается выполнять замену аккумулятора мокрыми руками.
10. В случае попадания воды на блок аккумулятора вылейте воду из блока и протрите его сухой тканью. Прежде чем использовать блок аккумулятора, дайте ему полностью высохнуть в сухом месте.
11. Избегайте опасных сред. Не используйте машину в местах с повышенной влажностью и под дождем. Попавшая в машину вода повышает опасность поражения электрическим током.

Сервисное обслуживание

1. Сервисное обслуживание электроинструмента должно проводиться только квалифицированным специалистом по ремонту и только с использованием идентичных запасных частей. Это позволит обеспечить безопасность электроинструмента.
 2. Запрещается обслуживать поврежденные аккумуляторные блоки. Обслуживание аккумуляторных блоков должен осуществлять только производитель или авторизованные поставщики услуг.
3. Если время работы аккумуляторного блока значительно сократилось, немедленно прекратите работу. В противном случае, может возникнуть перегрев блока, что приведет к ожогам и даже к взрыву.
 4. В случае попадания электролита в глаза промойте их обильным количеством чистой воды и немедленно обратитесь к врачу. Это может привести к потере зрения.
 5. Не замыкайте контакты аккумуляторного блока между собой:
 - (1) Не прикасайтесь к контактам какими-либо токопроводящими предметами.
 - (2) Не храните аккумуляторный блок в контейнере вместе с другими металлическими предметами, такими как гвозди, монеты и т. п.
 - (3) Не допускайте попадания на аккумуляторный блок воды или дождя.
 Замыкание контактов аккумуляторного блока между собой может привести к возникновению большого тока, перегреву, возможным ожогам и даже поломке блока.
 6. Не храните и не используйте инструмент и аккумуляторный блок в местах, где температура может достигать или превышать 50 °C (122 °F).
 7. Не бросайте аккумуляторный блок в огонь, даже если он сильно поврежден или полностью вышел из строя. Аккумуляторный блок может взорваться под действием огня.
 8. Запрещено вбивать гвозди в блок аккумулятора, резать, ломать, бросать, ронять блок аккумулятора или ударять его твердым предметом. Это может привести к пожару, перегреву или взрыву.
 9. Не используйте поврежденный аккумуляторный блок.
 10. Входящие в комплект литий-ионные аккумуляторы должны эксплуатироваться в соответствии с требованиями законодательства об опасных товарах.

При коммерческой транспортировке, например, третьей стороной или экспедитором, необходимо нанести на упаковку специальные предупреждения и маркировку.

В процессе подготовки устройства к отправке обязательно проконсультируйтесь со специалистом по опасным материалам. Также соблюдайте местные требования и нормы. Они могут быть строже.

Закройте или закрепите разомкнутые контакты и упакуйте аккумулятор так, чтобы он не перемещался по упаковке.

СОХРАНИТЕ ДАННЫЕ ИНСТРУКЦИИ.

⚠ОСТОРОЖНО: НЕ ДОПУСКАЙТЕ, чтобы удобство или опыт эксплуатации данного устройства (полученный от многократного использования) доминировали над строгим соблюдением правил техники безопасности при обращении с этим устройством.

НЕПРАВИЛЬНОЕ ИСПОЛЬЗОВАНИЕ инструмента или несоблюдение правил техники безопасности, указанных в данном руководстве, может привести к тяжелой травме.

Важные правила техники безопасности для работы с аккумуляторным блоком

1. Перед использованием аккумуляторного блока прочитайте все инструкции и предупреждающие надписи на (1) зарядном устройстве, (2) аккумуляторном блоке и (3) инструменте, работающем от аккумуляторного блока.
2. Не разбирайте блок аккумулятора и не меняйте его конструкцию. Это может привести к пожару, перегреву или взрыву.
11. Для утилизации блока аккумулятора извлеките его из инструмента и утилизируйте безопасным способом. Выполняйте требования местного законодательства по утилизации аккумуляторного блока.
12. Используйте аккумуляторы только с продукцией, указанной Makita. Установка аккумуляторов на продукцию, не соответствующую требованиям, может привести к пожару, перегреву, взрыву или утечке электролита.

13. Если инструментом не будут пользоваться в течение длительного периода времени, извлеките аккумулятор из инструмента.
14. Во время и после использования блок аккумулятора может нагреваться, что может стать причиной ожогов или низкотемпературных ожогов. Будьте осторожны при обращении с горячим блоком аккумулятора.
15. Не прикасайтесь к контактам инструмента сразу после использования, поскольку они могут быть достаточно горячими, чтобы вызвать ожоги.
16. Не допускайте, чтобы обломки, пыль или земля прилипали к контактам, отверстиям и пазам на блоке аккумулятора. Это может привести к снижению эксплуатационных параметров, поломке инструмента или блока аккумулятора.
17. Если инструмент не рассчитан на использование вблизи высоковольтных линий электропередач, не используйте блок аккумулятора вблизи высоковольтных линий электропередач. Это может привести к неисправности, поломке инструмента или блока аккумулятора.
18. Храните аккумулятор в недоступном для детей месте.

СОХРАНИТЕ ДАННЫЕ ИНСТРУКЦИИ.

⚠ВНИМАНИЕ: Используйте только фирменные аккумуляторные батареи Makita. Использование аккумуляторных батарей, не произведенных Makita, или батарей, которые были подвергнуты модификациям, может привести к взрыву аккумулятора, пожару, травмам и повреждению имущества. Это также автоматически аннулирует гарантию Makita на инструмент и зарядное устройство Makita.

Советы по обеспечению максимального срока службы аккумулятора

1. Заряжайте блок аккумуляторов перед его полной разрядкой. Обязательно прекратите работу с инструментом и зарядите блок аккумуляторов, если вы заметили снижение мощности инструмента.
2. Никогда не подзаряжайте полностью заряженный блок аккумуляторов. Перезарядка сокращает срок службы аккумулятора.
3. Заряжайте блок аккумуляторов при комнатной температуре в 10 - 40 °C (50 - 104 °F). Перед зарядкой горячего блока аккумуляторов дайте ему остыть.
4. Если блок аккумулятора не используется, извлеките его из инструмента или зарядного устройства.
5. Зарядите ионно-литиевый аккумуляторный блок, если вы не будете пользоваться инструментом длительное время (более шести месяцев).

СБОРКА

⚠ОСТОРОЖНО: Прежде чем выполнять какие-либо операции с газонокосилкой, убедитесь, что ключ блокировки и блок аккумулятора извлечены. Несоблюдение этого требования может привести к тяжелой травме в результате случайного пуска инструмента.

⚠ОСТОРОЖНО: Не запускайте частично собранную газонокосилку. Использование машины в частично собранном виде может стать причиной тяжелой травмы в результате случайного пуска.

Установка рукоятки

ПРИМЕЧАНИЕ: При установке рукояток расположите провода так, чтобы они не защемлялись между рукоятками. Если шнур поврежден, выключатель косилки не будет работать.

1. Совместите отверстия в нижней ручке с отверстиями в корпусе газонокосилки и временно затяните 4 болта.
▶ **Рис.1:** 1. Нижняя рукоятка 2. Болт
2. Плотно затяните 4 болта, которые были временно затянута на этапе 1, торцевым ключом на 13.
3. Совместите отверстие в нижней ручке с отверстием в верхней ручке, вставьте болт изнутри и затяните гайку снаружи торцевым ключом на 13. Выполните ту же процедуру на другой стороне.
▶ **Рис.2:** 1. Болт 2. Нижняя рукоятка 3. Гайка 4. Отверстие 5. Верхняя рукоятка

⚠ВНИМАНИЕ: Крепко удерживайте верхнюю рукоятку, чтобы она не выскользнула из вашей руки. Несоблюдение данного требования может привести к получению травм при падении рукоятки.

4. Присоедините держатели к рукоятке. Совместите выступы на держателе с отверстиями на ручке, чтобы выступы вошли в отверстия. Расположите шнуры, как показано на рисунке.
▶ **Рис.3:** 1. Шнур 2. Держатель

Удаление вставки для мульчирования

1. Откройте заднюю крышку.
▶ **Рис.4:** 1. Задняя крышка
2. Снимите вставку для мульчирования, удерживая нажатый рычаг.
▶ **Рис.5:** 1. Рычаг 2. Вставка для мульчирования

Сборка корзины для травы

1. Вставьте раму в корзину для травы до упора.
▶ **Рис.6:** 1. Рама 2. Корзина для травы
2. Прикрепите верхний зажим к раме, как показано на рисунке.
▶ **Рис.7:** 1. Зажим
3. Прикрепите все зажимы к раме, как показано на рисунке. Убедитесь, что все зажимы надежно закреплены на раме.
▶ **Рис.8**

Установка или удаление корзины для травы

Установка корзины для травы выполняется по указанной далее процедуре.

1. Откройте заднюю крышку.
▶ **Рис.9:** 1. Задняя крышка
2. Удерживая рукоятку корзины для травы, зацепите корзину для травы за стержень корпуса газонокосилки, как показано на рисунке.
▶ **Рис.10:** 1. Стержень 2. Рукоятка 3. Корзина для травы

Для снятия корзины для травы откройте заднюю крышку и извлеките корзину для травы, удерживая рукоятку.

Установка вставки для мульчирования

1. Откройте заднюю крышку и снимите корзину для травы.
▶ **Рис.11:** 1. Задняя крышка 2. Корзина для травы
2. Отожмите вниз фиксатор на вставке для мульчирования и установите насадку, а затем отпустите фиксатор, чтобы зафиксировать вставку.
▶ **Рис.12:** 1. Рычаг 2. Вставка для мульчирования

Установка насадки для выброса травы

1. Откройте заднюю крышку и снимите корзину для травы.
▶ **Рис.13:** 1. Задняя крышка 2. Корзина для травы
2. Отожмите вниз фиксатор на вставке для мульчирования и установите насадку, а затем отпустите фиксатор, чтобы зафиксировать вставку.
▶ **Рис.14:** 1. Рычаг 2. Вставка для мульчирования
3. Откройте правую боковую крышку и установите насадку для выброса травы.
Вставьте крючки насадки для выброса травы под стержнем правой боковой крышки.
▶ **Рис.15:** 1. Правая боковая крышка 2. Насадка для выброса травы

ОПИСАНИЕ РАБОТЫ

Установка и извлечение портативного блока питания

⚠ВНИМАНИЕ: Перед установкой или извлечением портативного блока питания всегда выключайте машину.

⚠ВНИМАНИЕ: Во время установки или извлечения портативного блока питания крепко удерживайте машину и сам блок. Если не удерживать их достаточно крепко, они могут выскользнуть из рук, что приведет к повреждению машины и портативного блока питания, а также травмированию оператора.

⚠ВНИМАНИЕ: Убедитесь в том, что портативный блок питания надежно установлен в машине. В противном случае блок может выпасть из машины и травмировать оператора или других людей.

⚠ВНИМАНИЕ: Перед началом эксплуатации убедитесь, что шнур надежно закреплен в держателе шнура, а гнездо полностью вставлено в штекер.

Для PDC1200

1. Разместите шнур портативного блока питания, как показано на рисунке.
▶ **Рис.16:** 1. Портативный блок питания 2. Шнур
2. Установите портативный блок питания в машину, как показано на рисунке.
▶ **Рис.17:** 1. Опорный рычаг аккумулятора 2. Портативный блок питания 3. Кнопка блокировки

⚠ВНИМАНИЕ: Убедитесь, что портативный блок питания надежно зафиксирован опорными рычагами аккумулятора, а кнопка блокировки зафиксирована в положении блокировки.

3. Прикрепите шнур к держателям шнура, как показано на рисунке. Откройте крышку штекера, состыкуйте гнездо на штекере с гнездом на машине, ориентируясь на стрелки, после чего полностью вставьте гнездо в штекер.
▶ **Рис.18:** 1. Крышка штекера 2. Стрелка 3. Гнездо 4. Шнур

ПРИМЕЧАНИЕ: Не прилагайте чрезмерных усилий при установке гнезда. Если гнездо входит с трудом, значит, оно вставляется неправильно.

ПРИМЕЧАНИЕ: При извлечении гнезда из штекера беритесь за гнездо, а не за шнур. Иначе шнур может повредиться и стать причиной неисправности машины.

4. Откройте крышку ключа блокировки и вставьте ключ блокировки до упора так, как показано на рисунке, после чего закройте эту крышку.
▶ **Рис.19:** 1. Ключ блокировки 2. Крышка ключа блокировки

Для извлечения портативного блока питания выполните процедуру установки в обратном порядке.

Для PDC01

ПРИМЕЧАНИЕ: Перед установкой портативного блока питания в машину установите по крайней мере один аккумулятор в аккумуляторный отсек 1 или 2 и как минимум один аккумулятор в отсек 3 или 4.

1. Разместите шнур портативного блока питания, как показано на рисунке.

► **Рис.20:** 1. Портативный блок питания 2. Шнур

2. Установите портативный блок питания в машину, как показано на рисунке. Заблокируйте стопорные рычаги с обеих сторон портативного блока питания.

► **Рис.21:** 1. Опорный рычаг аккумулятора
2. Стопорный рычаг 3. Портативный блок питания

ВНИМАНИЕ: Убедитесь, что портативный блок питания надежно зафиксирован опорными рычагами аккумулятора, а стопорные рычаги зафиксированы в положении блокировки.

3. Прикрепите шнур к держателям шнура, как показано на рисунке. Откройте крышку штекера, состыкуйте гнездо на штекере с гнездом на машине, ориентируясь на стрелки, после чего полностью вставьте гнездо в штекер.

► **Рис.22:** 1. Крышка штекера 2. Стрелка 3. Гнездо
4. Шнур

ПРИМЕЧАНИЕ: Не прилагайте чрезмерных усилий при установке гнезда. Если гнездо входит с трудом, значит, оно вставляется неправильно.

ПРИМЕЧАНИЕ: При извлечении гнезда из штекера беритесь за гнездо, а не за шнур. Иначе шнур может повредиться и стать причиной неисправности машины.

4. Откройте крышку ключа блокировки и вставьте ключ блокировки до упора так, как показано на рисунке, после чего закройте эту крышку.

► **Рис.23:** 1. Ключ блокировки 2. Крышка ключа блокировки

Для извлечения портативного блока питания выполните процедуру установки в обратном порядке.

Система защиты машины / аккумулятора

На машине предусмотрена система защиты машины / аккумулятора. Эта система автоматически отключает питание двигателя для продления срока службы машины и аккумулятора. Машина автоматически отключится в указанных далее случаях, влияющих на работу самой машины или аккумулятора.

Защита от перегрузки

Если из-за способа эксплуатации аккумулятор потребляет аномально высокий ток, машина автоматически выключится, а основной индикатор питания начнет мигать зеленым. В этом случае отключите машину и прекратите работу, из-за которой произошла перегрузка. Затем включите машину для перезапуска.

Защита от перегрева

При перегреве машины или аккумулятора машина автоматически останавливается, а основной индикатор питания начинает гореть красным. В этом случае дайте машине и аккумулятору остыть перед повторным включением.

Защита от переразрядки

Если заряда аккумулятора недостаточно, машина остановится автоматически, основной индикатор питания начнет мигать красным и загорится световой индикатор. В этом случае следует извлечь из машины и зарядить аккумулятор или заменить его полностью заряженным.

Панель управления

На панели управления имеется главный переключатель питания и кнопка переключения режимов.

► **Рис.24:** 1. Индикатор плавного режима без нагрузки 2. Индикатор режима снижения уровня шума 3. Кнопка переключения режимов 4. Основной индикатор питания 5. Главный переключатель питания

Главный переключатель питания

ОСТОРОЖНО: Держите основной переключатель питания выключенным, когда он не используется.

Для включения устройства нажмите главный переключатель питания. Основной индикатор питания загорится зеленым светом. Для выключения устройства нажмите главный переключатель питания еще раз.

ПРИМЕЧАНИЕ: Если основной индикатор питания загорится красным или начнет мигать красным или зеленым, см. раздел инструкций по системе защиты машины или аккумулятора.

ПРИМЕЧАНИЕ: Эта машина оснащена функцией автоматического отключения. Для предотвращения случайного запуска главный переключатель питания автоматически отключается, если не нажимать рычажный выключатель и рычаг привода (если установлены) в течение определенного периода времени после включения главного переключателя питания.

Кнопка переключения режимов

Переключить режим работы можно нажатием кнопки переключения режимов. После включения машина начинает работу в нормальном режиме.

При нажатии кнопки переключения режимов машина переключается в плавный режим без нагрузки, а индикатор этого режима загорается зеленым. В плавном режиме без нагрузки можно уменьшить пусковой удар.






При повторном нажатии кнопки переключения режимов машина переключается в режим снижения уровня шума, а индикатор этого режима загорается зеленым. В режиме снижения уровня шума можно уменьшить уровень шума при скашивании.

Если нажать кнопку переключения режимов еще раз, машина снова перейдет в нормальный режим.

Индикация оставшегося заряда аккумулятора

При низком заряде аккумулятора световой индикатор начинает светиться или мигать.

► **Рис.25:** 1. Индикатор

| Индикатор | | | Уровень заряда |
|---|---|---|----------------------------------|
| Выкл. | Мигает | Горит | |
|  |  |  | от 20 % до 100 % |
| |  | | |
| | |  | Зарядите аккумуляторную батарею. |

ПРИМЕЧАНИЕ: Показания индикаторов оставшейся емкости аккумулятора могут использоваться только в качестве ориентировочных данных. Фактическая емкость аккумулятора может отличаться в зависимости от условий использования.

ПРИМЕЧАНИЕ: Состояние светового индикатора меняется в случае остановки машины во время работы.

Действие выключателя

▲ ОСТОРОЖНО: Перед установкой портативного блока питания обязательно убедитесь в том, что рычажный выключатель работает правильно и возвращается в исходное положение после отпускания. Эксплуатация машины с неисправным переключателем может привести к потере контроля над ней и получению тяжелой травмы.

ПРИМЕЧАНИЕ: Если не нажать кнопку включения, газонокосилка не запустится, даже если потянуть рычажный выключатель.

ПРИМЕЧАНИЕ: Газонокосилка может не запуститься по причине перегрузки, если вы косите высокую или густую траву. В таком случае увеличьте высоту стрижки.

Эта газонокосилка оснащена ключом блокировки и рукояткой с выключателем. Заметив какие-либо отклонения в работе ключа блокировки или выключателя, немедленно прекратите работу и проверьте их в ближайшем авторизованном сервисном центре Makita.

1. Установите портативный блок питания и вставьте ключ блокировки.
2. Нажмите кнопку питания на портативном блоке питания. Загорится основной индикатор питания.

Для PDC1200

► **Рис.26:** 1. Кнопка питания 2. Основной индикатор питания

Для PDC01

► **Рис.27:** 1. Кнопка питания 2. Основной индикатор питания

3. Нажмите главный переключатель питания.
4. Потяните рычажный выключатель к себе, удерживая кнопку включения / выключения питания. Как только двигатель заработает, отпустите кнопку включения.

► **Рис.28:** 1. Кнопка включения 2. Рычаг переключателя

ПРИМЕЧАНИЕ: Если ключ блокировки не вставлен, при нажатии на пусковую кнопку индикатор питания начнет мигать зеленым.

5. Удерживая рычажный выключатель, нажмите рычаг привода вперед и удерживайте для снятия блокировки задних колес.

► **Рис.29:** 1. Рычаг привода

ПРИМЕЧАНИЕ: Задние колеса можно привести в движение, нажав рычаг привода вперед и удерживая его без нажатия рычажного выключателя.

6. Чтобы остановить машину, отпустите рычаг привода и рычажный выключатель.

Регулировка высоты стрижки

▲ ОСТОРОЖНО: При регулировке высоты стрижки не подсовывайте руку или ногу под газонокосилку.

▲ ОСТОРОЖНО: Перед началом работы обязательно проверьте, что рычаг хорошо входит в паз.

Высоту скашивания можно регулировать в диапазоне от 20 мм до 100 мм.

Вытащите ключ блокировки, потяните рычаг регулировки высоты скашивания наружу относительно корпуса газонокосилки и переместите его в положение, соответствующее желаемой высоте скашивания.

► **Рис.30:** 1. Рычаг регулировки высоты скашивания

В таблице ниже показано соотношение цифр на корпусе газонокосилки и приблизительной высоты скашивания.

| Цифра | Высота скашивания |
|-------|-------------------|
| 1 | 20 мм |
| 2 | 26 мм |
| 3 | 32 мм |
| 4 | 39 мм |
| 5 | 47 мм |
| 6 | 55 мм |
| 7 | 63 мм |
| 8 | 74 мм |
| 9 | 86 мм |
| 10 | 100 мм |

Возьмитесь одной рукой за переднюю рукоятку или нижнюю рукоятку и перемещайте рычаг регулировки высоты скашивания второй рукой.

► **Рис.31:** 1. Рычаг регулировки высоты скашивания 2. Нижняя рукоятка 3. Передняя рукоятка

ПРИМЕЧАНИЕ: Значения высоты стрижки приведены только для справки. В зависимости от состояния газона и почвы конечная высота скошенной травы может незначительно отличаться от заданной.

ПРИМЕЧАНИЕ: Чтобы добиться желаемой высоты, выполните пробное скашивание на не слишком заметном участке газона.

Индикатор уровня травы

Индикатор уровня травы показывает объем скошенной травы. Если корзина для травы не заполнена до верха, индикатор перемещается во время работы лезвий.

► **Рис.32:** 1. Индикатор уровня травы

Если корзина для травы почти заполнена, индикатор не перемещается во время работы лезвий. В этом случае немедленно прекратите работу и опорожните корзину.

► **Рис.33:** 1. Индикатор уровня травы

ПРИМЕЧАНИЕ: Данный индикатор показывает приблизительный объем. В зависимости от условий внутри корзины индикатор может работать с ошибками.

Регулировка высоты рукоятки

⚠ВНИМАНИЕ: Прежде чем удалить болты, крепко возьмитесь за верхнюю рукоятку. Несоблюдение данного требования может привести к получению травм при падении рукоятки.

Рукоятка имеет двухступенчатую регулировку высоты.

1. Удалите верхние болты нижней рукоятки торцевым ключом на 13 и ослабьте нижние болты.

► **Рис.34:** 1. Верхний болт 2. Нижний болт

2. Отрегулируйте высоту ручки и плотно затяните верхний и нижний болты.

Регулировка скорости передвижения

► **Рис.35:** 1. Рычаг регулировки скорости

Скорость передвижения можно отрегулировать рычагом регулировки скорости. Для уменьшения скорости потяните рычаг на себя, для увеличения скорости нажмите рычаг вперед.

Использование вставки для мульчирования

Вставка для мульчирования позволяет сбрасывать измельченную траву обратно на газон без сбора в корзину для травы. При работе с машиной, на которой установлена вставка для мульчирования, снимите корзину для травы.

ПРИМЕЧАНИЕ: При использовании машины со вставкой для мульчирования убедитесь в том, что общая длина травы после срезания составляет не менее 30 мм, а длина среза – не более 15 мм.

► **Рис.36:** (1) 30 мм или больше (2) 15 мм или меньше

Использование насадки для выброса травы

Насадка для выброса травы позволяет сбрасывать измельченную траву обратно на газон с правой стороны газонокосилки, не собирая ее в корзину для травы. При работе с насадкой для выброса травы установите вставку для мульчирования и снимите корзину для травы.

Электронная функция

Для простоты эксплуатации устройство оснащено электронными функциями.

- Постоянное управление скоростью вращения лезвия
Электронное управление скоростью инструмента для достижения постоянной скорости. Возможность получения тонкой отделки, так как скорость вращения держится на постоянном уровне даже при условиях нагрузки.
- Плавный запуск во время приведения в движение
Функция плавного запуска уменьшает пусковой удар и смягчает запуск устройства.
- Электрический тормоз
Эта машина оснащена электрическим тормозом. Если после отпускания рычажного выключателя не каждый раз происходит быстрая остановка лезвий газонокосилки, отправьте машину в официальный сервисный центр Makita для обслуживания.

ЭКСПЛУАТАЦИЯ

Скашивание

⚠ОСТОРОЖНО: Перед скашиванием убедитесь с газона ветки и камни. Кроме того, заблаговременно очистите газон от сорняков.

⚠ОСТОРОЖНО: При использовании газонокосилки обязательно надевайте защитные очки с боковыми щитками.

⚠ВНИМАНИЕ: Если внутри корпуса газонокосилки набилась скошенная трава или посторонние предметы, перед очисткой корпуса обязательно вытащите ключ блокировки и блок аккумулятора и наденьте перчатки.

ПРИМЕЧАНИЕ: Используйте машину только для стрижки газонов. Не используйте ее для скашивания сорняков.

► **Рис.37**

Во время работы крепко удерживайте рукоятку обеими руками. Рекомендованная скорость скашивания составляет приблизительно от 7 до 14 метров за 10 секунд.

► **Рис.38**

Центральные линии на передних колесах показывают ширину полосы скашивания. Используйте их в качестве направляющих, косите полосами. Чтобы равномерно подстричь газон, захватывайте половину или третью часть предыдущей полосы.

► **Рис.39:** 1. Ширина скашивания 2. Зона захвата 3. Центральная линия

Каждый раз меняйте направление движения, чтобы избежать пригибания травы в одном направлении.

► **Рис.40**

Периодически проверяйте степень заполнения корзины для травы. Опорожните корзину, прежде чем она заполнится полностью. Перед каждой проверкой обязательно останавливайте газонокосилку и извлекайте ключ блокировки и гнездо портативного блока питания.

ПРИМЕЧАНИЕ: Эксплуатация газонокосилки с заполненной корзиной для травы мешает плавному вращению лезвия и оказывает дополнительную нагрузку на двигатель, что может привести к поломке.

Скашивание высокой травы

Не старайтесь скосить длинную траву за один заход. Вместо этого выполняйте работу в несколько этапов. Стригите газон с интервалом в один или два дня до тех пор, пока он не станет ровным.

► **Рис.41**

ПРИМЕЧАНИЕ: Скашивание высокой травы за один проход может стать причиной ее засыхания. Скошенная трава также может застрять в корпусе косилки.

Опорожнение корзины для травы

ОСТОРОЖНО: Чтобы снизить риск несчастного случая, регулярно проверяйте корзину для травы на предмет повреждений и потери прочности. При необходимости замените ее.

1. Отпустите рычажный выключатель и рычаг привода.
 2. Извлеките ключ блокировки.
 3. Откройте заднюю крышку и извлеките корзину для травы за специальную рукоятку.
- **Рис.42:** 1. Задняя крышка 2. Ручка 3. Корзина для травы
4. Опорожните корзину для травы.

ОБСЛУЖИВАНИЕ

ОСТОРОЖНО: Перед помещением на хранение, переноской, осмотром или техническим обслуживанием газонокосилки обязательно извлекайте ключ блокировки и портативный блок питания.

ОСТОРОЖНО: Если газонокосилка не используется, обязательно извлеките ключ блокировки. Храните ключ блокировки в безопасном месте, недоступном для детей.

ОСТОРОЖНО: При осмотре и обслуживании надевайте защитные перчатки.

ОСТОРОЖНО: При осмотре и техническом обслуживании газонокосилки обязательно надевайте защитные очки с боковыми щитками.

ПРИМЕЧАНИЕ: Запрещается использовать бензин, растворители, спирт и другие подобные жидкости. Это может привести к обесцвечиванию, деформации и трещинам.

Для обеспечения БЕЗОПАСНОСТИ и НАДЕЖНОСТИ оборудования ремонт, любое другое техобслуживание или регулировку необходимо производить в уполномоченных сервис-центрах Makita или сервис-центрах предприятия с использованием только сменных частей производства Makita.

Обслуживание

1. Извлеките ключ блокировки и портативный блок питания.
2. Положите газонокосилку на бок, чтобы рычаг регулировки высоты скашивания оказался сверху. Удалите обрезки травы с дна газонокосилки.
3. Вода должна стекать к нижней части устройства, где крепится лезвие.

ПРИМЕЧАНИЕ: Запрещается мыть устройство струей воды с высоким напором.

4. Проверьте надежность затяжки всех гаек, болтов, винтов и т. п.
5. Осмотрите подвижные части на предмет повреждений, поломок и износа. Необходимо отремонтировать или заменить поврежденные компоненты.
6. Храните газонокосилку в безопасном месте, недоступном для детей.

ПРИМЕЧАНИЕ: Не допускайте попадания воды на зону, показанную на рисунке. Попадание воды на узел двигателя может привести к неисправности машины.

► **Рис.43:** 1. Зона, куда не следует допускать попадания воды

Переноска газонокосилки

При переноске газонокосилки два человека должны удерживать ее за переднюю рукоятку и за заднюю рукоятку, как показано на рисунке.

► **Рис.44:** 1. Передняя рукоятка 2. Задняя рукоятка

Хранение

Храните газонокосилку в помещении, в сухом, прохладном, запираемом месте. Не храните газонокосилку и зарядное устройство в местах, где температура может подниматься до 40 °С и выше.

Снятие или установка лезвия косилки

⚠ОСТОРОЖНО: После отпущения выключателя лезвие продолжает вращаться по инерции в течение нескольких секунд. Не приступайте к выполнению каких-либо операций, пока лезвие полностью не остановится.

⚠ОСТОРОЖНО: При снятии и установке лезвия обязательно извлекайте ключ блокировки и портативный блок питания. Если не извлечь ключ блокировки и портативный блок питания, это может привести к тяжелой травме.

⚠ОСТОРОЖНО: При работе с лезвием обязательно надевайте защитные перчатки.

Снятие лезвия газонокосилки

Для моделей, оснащенных прямым лезвием газонокосилки

1. Положите газонокосилку на бок, чтобы рычаг регулировки высоты стрижки оказался сверху.
2. Чтобы заблокировать лезвие, вставьте штифт в отверстие на корпусе газонокосилки.
3. Открутите болт против часовой стрелки торцевым ключом на 17.

► **Рис.45:** 1. Лезвие газонокосилки 2. Штифт 3. Торцевой ключ

4. Выкрутите болт, а затем снимите лезвие газонокосилки.

► **Рис.46:** 1. Опора лезвия 2. Лезвие газонокосилки 3. Болт 4. Выступ

ПРИМЕЧАНИЕ: Во время установки лезвия газонокосилки убедитесь в том, что выступы на опоре лезвия входят в отверстия на лезвии газонокосилки.

Для моделей, оснащенных откидными лезвиями газонокосилки

1. Положите газонокосилку на бок, чтобы рычаг регулировки высоты стрижки оказался сверху.
2. Для блокировки плиты основания вставьте штифт в отверстие на корпусе газонокосилки через отверстие на плите основания.

3. Открутите болт против часовой стрелки торцевым ключом на 17.

► **Рис.47:** 1. Штифт 2. Плита основания 3. Торцевой ключ

4. Выкрутите болт, а затем снимите плиту основания.

► **Рис.48:** 1. Опора лезвия 2. Плита основания 3. Болт 4. Выступ

ПРИМЕЧАНИЕ: Во время установки лезвий газонокосилки убедитесь в том, что выступы на опоре лезвия входят в отверстия на плите основания.

5. Чтобы снять отдельное лезвие газонокосилки, поверните болт против часовой стрелки торцевым ключом на 17, удерживая плиту основания.

► **Рис.49:** 1. Плита основания 2. Лезвие газонокосилки 3. Торцевой ключ

6. Последовательно удалите гайку, шайбу, пружинную шайбу, лезвие газонокосилки и болт.

► **Рис.50:** 1. Отверстие под болт 2. Болт 3. Лезвие газонокосилки 4. Пружинная шайба 5. Шайба 6. Гайка

ПРИМЕЧАНИЕ: Гайки для установки отдельных лезвий газонокосилки следует затягивать с моментом 30 Н•м.

ПРИМЕЧАНИЕ: Во время установки отдельного лезвия газонокосилки не забудьте установить пружинную шайбу в направлении, показанном на рисунке.

ПРИМЕЧАНИЕ: Во время установки отдельного лезвия газонокосилки не забудьте вставить болты в отверстия под болты, показанные на рисунке.

Установка лезвия газонокосилки

⚠ОСТОРОЖНО: Осторожно установите лезвие газонокосилки. Лезвие имеет верхнюю и нижнюю сторону.

⚠ОСТОРОЖНО: Надежно затяните болт по часовой стрелке, чтобы зафиксировать лезвие.

⚠ОСТОРОЖНО: Убедитесь в том, что лезвие газонокосилки и все крепежные детали установлены правильно и надежно затянуты.

⚠ОСТОРОЖНО: При замене лезвий всегда следуйте инструкциям, приведенным в этом руководстве.

ПРИМЕЧАНИЕ: После установки лезвий газонокосилки извлеките штифт из корпуса газонокосилки.

Установка лезвий газонокосилки выполняется в порядке, обратном процедуре снятия.

ПОИСК И УСТРАНЕНИЕ НЕИСПРАВНОСТЕЙ

Прежде чем обращаться по поводу ремонта, проведите осмотр самостоятельно. Если обнаружена неисправность, не указанная в руководстве, не пытайтесь разобрать инструмент. Обратитесь в один из авторизованных сервисных центров Makita, в которых для ремонта используются только оригинальные детали Makita.

| Состояние неисправности | Возможная причина (неисправности) | Способ устранения |
|---|--|---|
| Газонокосилка не запускается. | Аккумулятор не установлен. | Установите заряженный аккумулятор. |
| | Неисправен аккумулятор (пониженное напряжение) | Зарядите аккумулятор. Если перезарядка не помогает, замените аккумулятор. |
| | Ключ блокировки не вставлен. | Вставьте ключ блокировки. |
| После непродолжительного использования двигатель останавливается. | Низкий уровень заряда аккумулятора. | Зарядите аккумулятор. Если перезарядка не помогает, замените аккумулятор. |
| | Установлена слишком малая высота срезания. | Увеличьте высоту срезания. |
| | Засорение газонокосилки срезанной травой. | Удалите траву из газонокосилки. |
| Двигатель не достигает максимальной частоты вращения. | Неправильно установлен аккумулятор. | Установите аккумулятор, как описано в этом руководстве. |
| | Заряд аккумулятора падает. | Зарядите аккумулятор. Если перезарядка не помогает, замените аккумулятор. |
| | Привод работает неправильно. | Обратитесь в местный авторизованный центр для ремонта. |
| Лезвие газонокосилки не вращается: ⇒ немедленно выключите косилку! | Посторонний объект (например, ветка) застрял рядом с лезвием. | Удалите посторонний предмет. |
| | Привод работает неправильно. | Обратитесь в местный авторизованный центр для ремонта. |
| Сильная вибрация: ⇒ немедленно выключите косилку! | Лезвие разбалансировано, изношено слишком сильно или неравномерно. | Замените лезвие. |

ДОПОЛНИТЕЛЬНЫЕ ПРИНАДЛЕЖНОСТИ

⚠ ВНИМАНИЕ: Эти принадлежности или насадки рекомендованы для использования с машиной Makita, указанной в этом руководстве. Использование других принадлежностей или насадок может привести к травме. Используйте принадлежность или насадку только по назначению.

Если вам необходимо содействие в получении дополнительной информации по этим принадлежностям, свяжитесь с вашим сервис-центром Makita.

- Лезвие газонокосилки
- Оригинальный аккумулятор и зарядное устройство Makita

ПРИМЕЧАНИЕ: Некоторые элементы из списка могут входить в комплект машины в качестве стандартных принадлежностей. Они могут различаться в зависимости от страны.

Makita Europe N.V. Jan-Baptist Vinkstraat 2,
3070 Kortenberg, Belgium

Makita Corporation 3-11-8, Sumiyoshi-cho,
Anjo, Aichi 446-8502 Japan

www.makita.com

885868-988
EN, SV, NO, FI, DA,
LV, LT, ET, RU
20201218