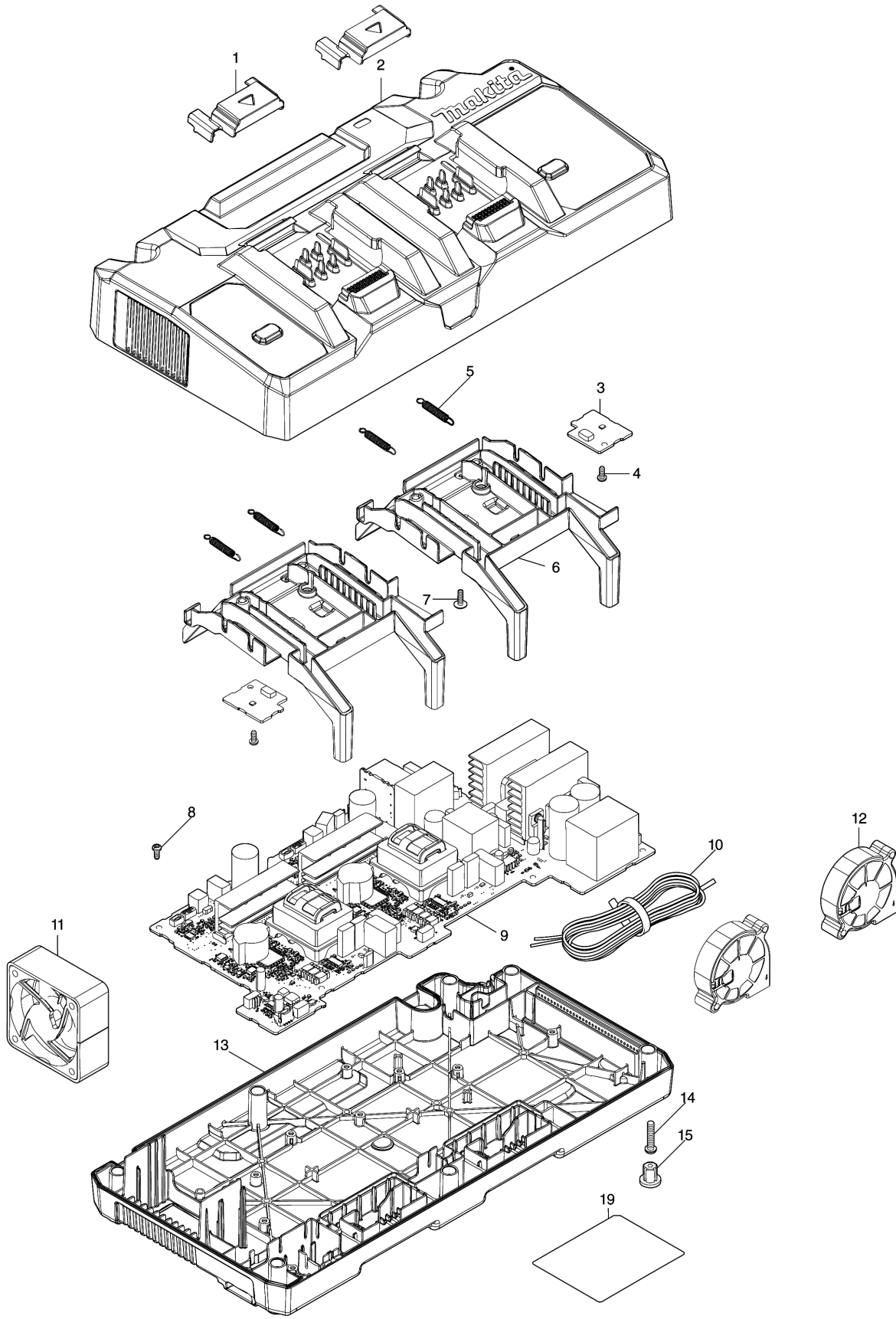


Model No.DC40RB TWO PORT MULTI FAST CHARGER



Model No.DC40RB TWO PORT MULTI FAST CHARGER

Item	Parts No.	Description	I/C	Qty	New/Old	Opt. 1	Opt. 2	Note
001	412892-9	TERMINAL COVER		2				
002	140Y57-0	CHARGER CASE COMPLETE		1				
C10	412893-7	LENS		2				
C20	8024W4-1	CHARGING CONDITION LABEL 1		1				
C30	8024W5-9	CHARGING CONDITION LABEL 2		1				
003	620E51-3	LED CIRCUIT		2				
004	266764-8	TAPPING SCREW 3X8		2				
005	232647-4	TENSION SPRING 4		4				
006	412891-1	TERMINAL BASE		2				
007	266278-7	TAPPING SCREW FLANGE BT3X10		6				
008	266764-8	TAPPING SCREW 3X8		9				
009	620E50-5	CHARGING CIRCUIT		1				
C10	647306-1	VARISTOR		1				
C20	652094-7	FUSE		1				
010	667708-5	POWER SUPPLY CORD		1				
011	632R81-0	FAN 60		1				
012	632R80-2	SCIROCCO FAN		2				
013	412890-3	CHARGER CASE COVER		1				
014	266426-8	TAPPING SCREW 4X20		7				
015	286255-3	CAP 13		4				
019	811G31-4	DC40RB NAME PLATE		1				
F01	191N09-8	DC40RB 2PORT FAST CHARGER SET		1				

Please order the parts with part number.

Print Date 5/8/2022