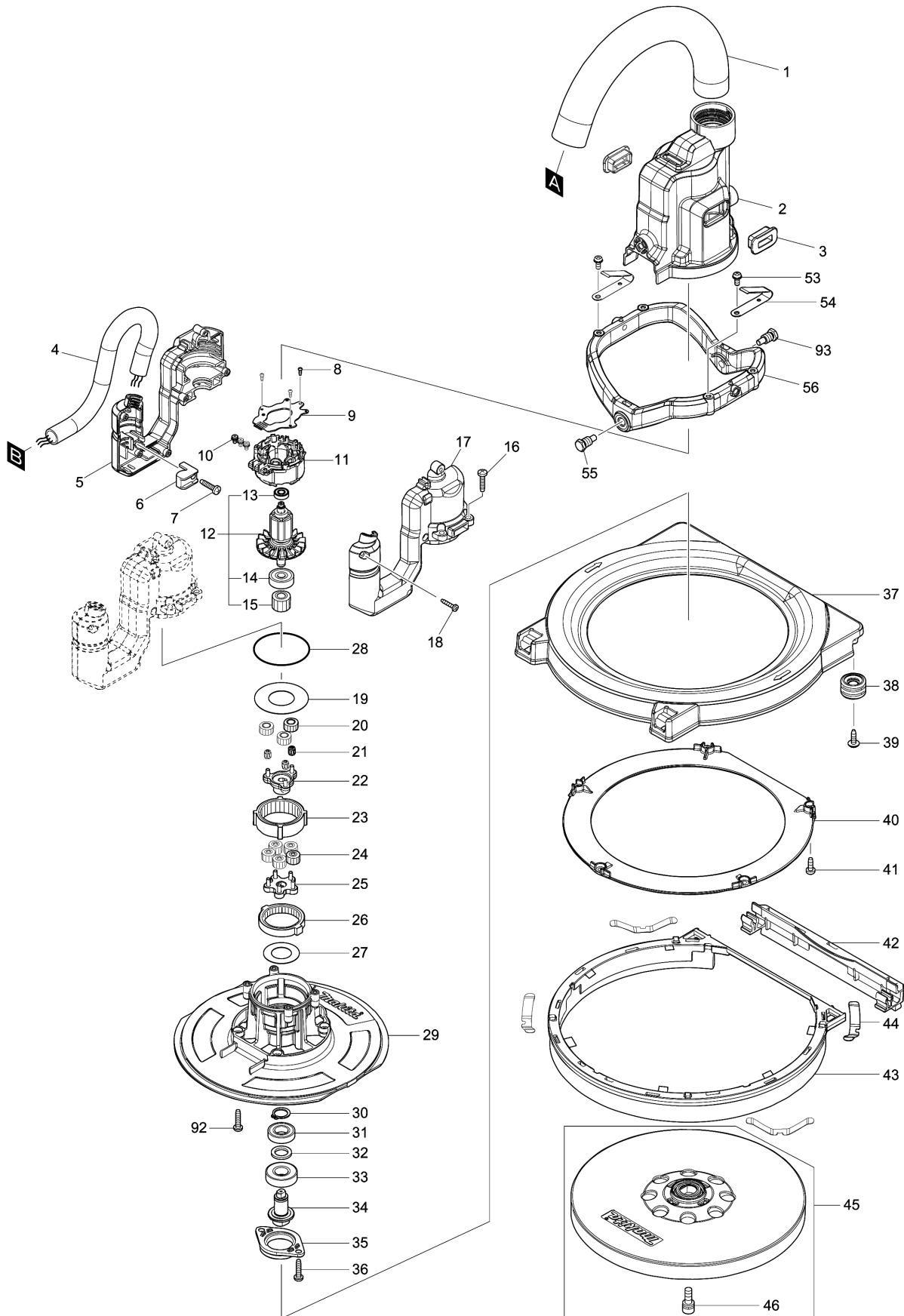
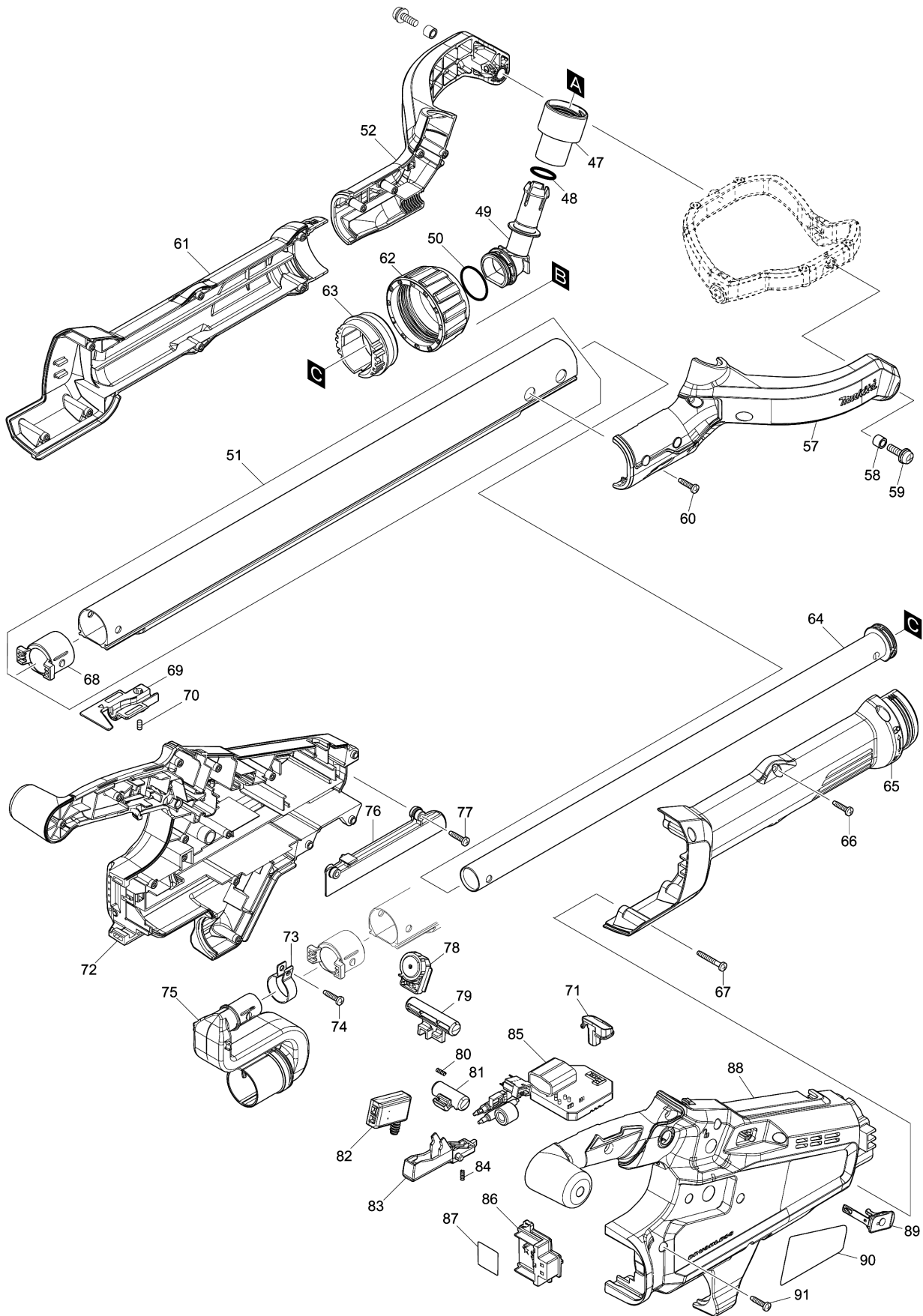


Model No.DSL800 225MM CORDLESS DRYWALL SANDER



Model No.DSL800 225MM CORDLESS DRYWALL SANDER



Model No.DSL800 225MM CORDLESS DRYWALL SANDER

| Item | Parts No. | Description | I/C | Qty | New/Old | Opt. 1 | Opt. 2 | Note |
|-------|-----------|------------------------|-----|-----|---------|--------|--------|------|
| 001 | 245058-4 | HOSE 28-0.25 | | 1 | | | | |
| 002 | 459217-6 | HEAD COVER | | 1 | | | | |
| 003 | 422446-4 | RUBBER CAP | | 2 | | | | |
| 004 | 699129-3 | POWER SUPPLY CORD UNIT | | 1 | | | | |
| 005 | 183L77-3 | MOTOR HOUSING SET | | 1 | | | | |
| D10 | | INC. 17 | | | | | | |
| 006 | 687261-5 | STRAIN RELIEF | | 1 | | | | |
| 007 | 265995-6 | TAPPING SCREW 4X18 | | 1 | | | | |
| 008 | 266490-9 | TAPPING SCREW PT 2X6 | | 3 | | | | |
| 009 | 620B02-8 | CONTROLLER B | | 1 | | | | |
| 010 | 652069-6 | FLAT HEAD SCREW M3X6 | | 3 | | | | |
| 011 | 629409-3 | STATOR | | 1 | | | | |
| 012 | 519567-2 | ROTOR ASSY | | 1 | * | | | |
| D10 | | INC. 13-15 | | | * | | | |
| 012-1 | 519568-0 | ROTOR ASSY | O | 1 | | | | |
| D10 | | INC. 13-15 | | | | | | |
| 013 | 210039-7 | BALL BEARING 695DDW | | 1 | | | | |
| 014 | 210023-2 | BALL BEARING 627DDW | | 1 | | | | |
| 015 | 226888-2 | SPUR GEAR 19 | | 1 | | | | |
| 016 | 265995-6 | TAPPING SCREW 4X18 | | 4 | | | | |
| 017 | 183L77-3 | MOTOR HOUSING SET | | 1 | | | | |
| D10 | | INC. 5 | | | | | | |
| 018 | 266429-2 | TAPPING SCREW 3X16 | | 6 | | | | |
| 019 | 253437-2 | FLAT WASHER 23 | | 1 | | | | |
| 020 | 226886-6 | SPUR GEAR 14 | | 3 | | | | |
| 021 | 212131-5 | NEEDLE CAGE 307 | | 3 | | | | |
| 022 | 140J82-1 | SPUR GEAR 17 COMPLETE | | 1 | | | | |
| 023 | 226890-5 | INTERNAL GEAR 47 | | 1 | | | | |
| 024 | 226885-8 | SPUR GEAR 13 | | 5 | | | | |
| 025 | 140J81-3 | CARRIER COMPLETE | | 1 | | | | |
| 026 | 226889-0 | INTERNAL GEAR 43 | | 1 | | | | |
| 027 | 267789-5 | FLAT WASHER 18 | | 1 | | | | |
| 028 | 213606-7 | O RING 48 | | 1 | | | | |
| 029 | 459216-8 | GEAR HOUSING | | 1 | | | | |
| 030 | 961052-5 | RETAINING RING S-12 | | 1 | | | | |
| 031 | 211150-8 | BALL BEARING 6901ZZ | | 1 | | | | |
| 032 | 253746-9 | FLAT WASHER 12 | | 1 | | | | |
| 033 | 210105-0 | BALL BEARING 6001LLU | | 1 | | | | |
| 034 | 327318-7 | SPINDLE | | 1 | | | | |
| 035 | 319823-8 | BEARING RETAINER 47 | | 1 | | | | |
| 036 | 265995-6 | TAPPING SCREW 4X18 | | 2 | | | | |
| 037 | 459218-4 | COVER | | 1 | | | | |

Model No.DSL800 225MM CORDLESS DRYWALL SANDER

| Item | Parts No. | Description | I/C | Qty | New/Old | Opt. 1 | Opt. 2 | Note |
|-------|-----------|---------------------------------|-----|-----|---------|--------|--------|------|
| 038 | 140L62-9 | BEARING COVER COMPLETE | | 2 | * | | | |
| 038-1 | 140T62-7 | BEARING COVER COMPLETE | < | 2 | | | | |
| 039 | 266901-4 | TAPPING SCREW 4X14 | | 2 | | | | |
| 040 | 459219-2 | BRUSH STOPPER | | 1 | | | | |
| 041 | 266020-6 | TAPPING SCREW 4X12 | | 5 | | | | |
| 042 | 140J86-3 | BRUSH B COMPLETE | | 1 | | | | |
| 043 | 140J85-5 | BRUSH A COMPLETE | | 1 | | | | |
| 044 | 232510-1 | LEAF SPRING | | 4 | | | | |
| 045 | 199939-3 | PAD 210 SET | | 1 | | | | |
| D10 | | INC. 46 | | | | | | |
| 046 | 922323-5 | HEX.SOCKET HEAD BOLT M6X16 | | 1 | | | | |
| 047 | 459223-1 | HOSE CONNECTOR | | 1 | | | | |
| 048 | 213304-3 | O RING 20 | | 1 | | | | |
| 049 | 459222-3 | JOINT | | 1 | | | | |
| 050 | 213393-8 | O RING 23 | | 1 | | | | |
| 051 | 140N60-5 | PIPE A COMPLETE | | 1 | | | | |
| D10 | | INC. 68 | | | | | | |
| 052 | 183L76-5 | ARM SET | | 1 | | | | |
| D10 | | INC. 57 | | | | | | |
| 053 | 911113-1 | PAN HEAD SCREW M4X10 WITH WR | | 2 | | | | |
| 054 | 232534-7 | LEAF SPRING | | 2 | | | | |
| 055 | 265A35-6 | HEX. BOLT M8X17 | | 1 | | | | |
| 056 | 319808-4 | FRAME | | 1 | | | | |
| 057 | 183L76-5 | ARM SET | | 1 | | | | |
| D10 | | INC. 52 | | | | | | |
| 058 | 262561-0 | SLEEVE 6 | | 2 | | | | |
| 059 | 911334-5 | PAN HEAD SCREW M6X20 | | 2 | | | | |
| 060 | 265995-6 | TAPPING SCREW 4X18 | | 4 | | | | |
| 061 | 183L78-1 | PIPE HOUSING SET | | 1 | | | | |
| D10 | | INC. 65 | | | | | | |
| 062 | 459226-5 | LOCK RING | | 1 | | | | |
| 063 | 140J84-7 | LOCK SLEEVE COMPLETE | | 1 | | | | |
| 064 | 140L61-1 | PIPE B COMPLETE | | 1 | | | | |
| C10 | 459225-7 | PIPE STOPPER B | | 1 | | | | |
| 065 | 183L78-1 | PIPE HOUSING SET | | 1 | | | | |
| D10 | | INC. 61 | | | | | | |
| 066 | 265995-6 | TAPPING SCREW 4X18 | | 4 | | | | |
| 067 | 266050-7 | TAPPING SCREW 4X30 | | 3 | | | | |
| 068 | 459224-9 | PIPE STOPPER A | | 1 | | | | |
| 069 | 459228-1 | CORD HOLDER | | 1 | | | | |
| 070 | 913106-4 | SET SCREW M4X8 | | 1 | | | | |

Model No.DSL800 225MM CORDLESS DRYWALL SANDER

| Item | Parts No. | Description | I/C | Qty | New/Old | Opt. 1 | Opt. 2 | Note |
|------|-----------|-----------------------------|-----|-----|---------|--------|--------|------|
| 071 | 140J83-9 | INDICATOR PANEL COMPLETE | | 1 | | | | |
| 072 | 183L75-7 | HANDLE SET | | 1 | | | | |
| C10 | 263005-3 | RUBBER PIN 6 | | 2 | | | | |
| D10 | | INC. 88 | | | | | | |
| 073 | 346248-3 | CLAMP 24 | | 1 | | | | |
| 074 | 265995-6 | TAPPING SCREW 4X18 | | 1 | | | | |
| 075 | 459234-6 | DUST NOZZLE | | 1 | | | | |
| 076 | 459229-9 | CORD COVER | | 1 | | | | |
| 077 | 265995-6 | TAPPING SCREW 4X18 | | 2 | | | | |
| 078 | 620796-3 | DIAL CIRCUIT | | 1 | | | | |
| 079 | 459230-4 | LOCK OFF BUTTON | | 1 | | | | |
| 080 | 231433-0 | COMPRESSION SPRING 4 | | 1 | | | | |
| 081 | 419705-5 | LOCK ON BUTTON | | 1 | | | | |
| 082 | 651083-9 | SWITCH C3XA-1PSPM | | 1 | | | | |
| 083 | 459231-2 | SWITCH LEVER | | 1 | | | | |
| 084 | 231433-0 | COMPRESSION SPRING 4 | | 1 | | | | |
| 085 | 620B01-0 | CONTROLLER | | 1 | | | | |
| 086 | 644809-6 | TERMINAL | | 1 | | | | |
| 087 | 855W07-7 | DSL800 SERIAL NO. LABEL | | 1 | | | | |
| 088 | 183L75-7 | HANDLE SET | | 1 | | | | |
| C10 | 263005-3 | RUBBER PIN 6 | | 2 | | | | |
| D10 | | INC. 72 | | | | | | |
| 089 | 140F99-0 | CAP COMPLETE | | 1 | | | | |
| C10 | 213218-6 | O RING 16 | | 1 | | | | |
| C20 | 818H07-8 | CAP LABEL | | 1 | | | | |
| 090 | 855W00-1 | DSL800 NAME PLATE | | 1 | | | | |
| 091 | 265995-6 | TAPPING SCREW 4X18 | | 10 | | | | |
| 092 | 265995-6 | TAPPING SCREW 4X18 | | 4 | | | | |
| 093 | 265A68-1 | HEX. BOLT M8X22 | | 1 | | | | |
| A01 | B-68404 | ABRASIVE PAPER DISC 225-120 | | 1 | | | | |
| A02 | 783217-7 | HEX. WRENCH 5 | | 1 | | | | |
| A03 | 195638-5 | TOOL BAG SET | | 1 | | | | |
| A04 | 835B53-0 | INNER TRAY | | 1 | | | | |
| A05B | 198900-7 | WIRELESS UNIT SET | | 1 | | | | |

Please order the parts with part number.

Print Date 27/3/2020