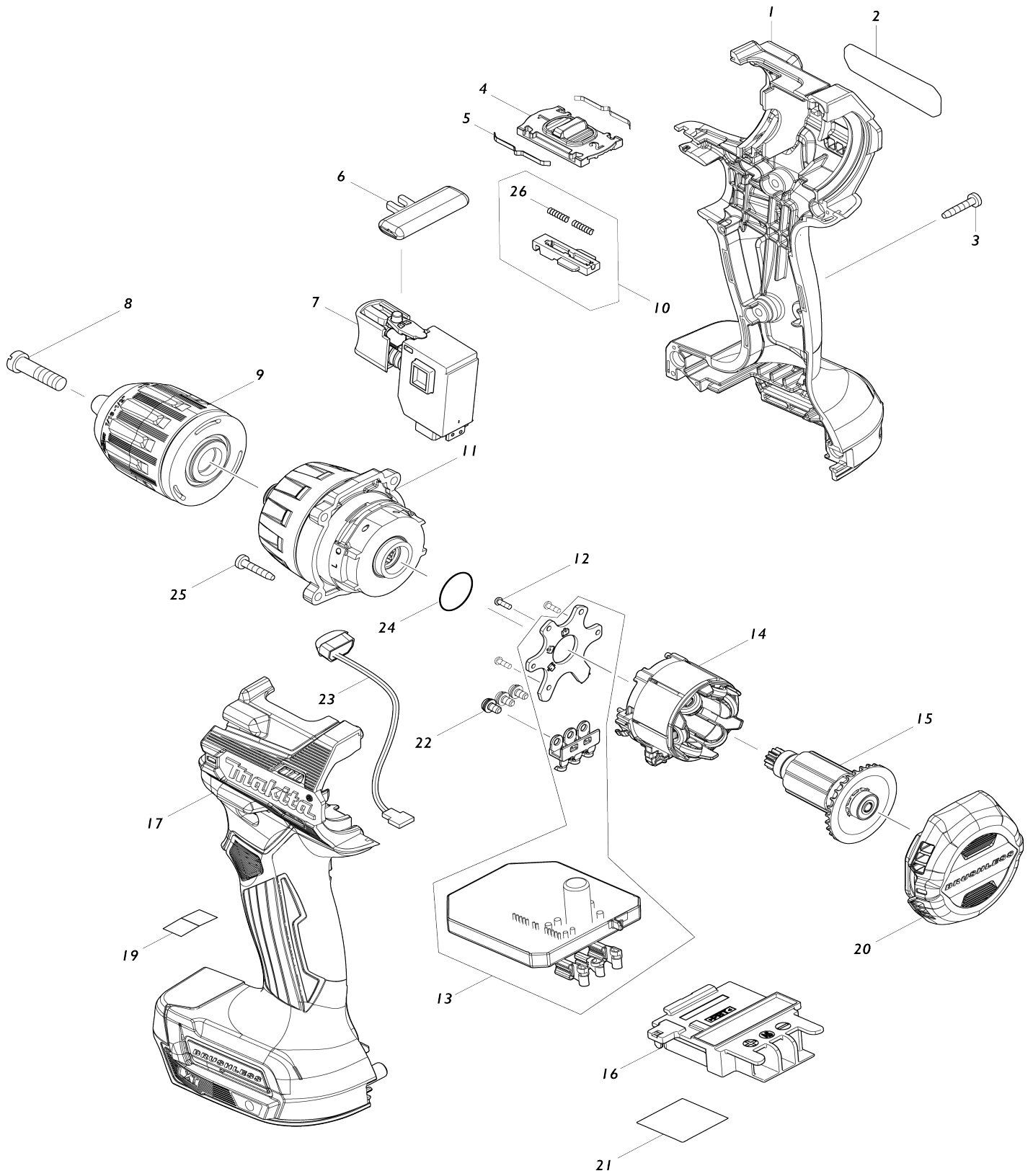


Model No.DDF487 CORDLESS DRIVER DRILL



Model No.DDF487 CORDLESS DRIVER DRILL

Item No.	Parts No.	Description	Interchangeability	Q'ty	New/Old	Note1	Note2
001	183S07-6	HOUSING SET		1			
C10	263005-3	RUBBER PIN 6		2			
C20	252126-6	HEX. LOCK NUT M4-7		2	*		
C21	252303-0	HEX. LOCK NUT M4-7	O	2			
D10		INC. 17					
002	858E10-9	DDF487 NAME PLATE		1			
003	266429-2	TAPPING SCREW 3X16		7			
004	413310-0	SPEED CHANGE LEVER		1			
005	232493-5	LEAF SPRING		2			
006	419041-9	F/R CHANGE LEVER		1			
007	650689-0	SWITCH C3JW-2B		1	*		
007-1	650005-6	SWITCH TGRK1-1	O	1			
008	251468-5	- FLAT HEAD SCREW M6X22		1			
009	763256-3	KEYLESS DRILL CHUCK 13		1	*		
009-1	763262-8	KEYLESS DRILL CHUCK 13	<	1			
010	127758-7	CHANGE LEVER ASSEMBLY		1			
D10		INC. 26					
011	127757-9	GEAR ASSEMBLY		1	*		
011-1	122B22-3	GEAR ASSEMBLY	O	1			
012	266490-9	TAPPING SCREW PT 2X6		3	*		
012-1	265C47-1	TAPPING SCREW PT 2X6	O	3			
013	620E45-8	CONTROLLER		1			
014	629A41-9	STATOR		1			
015	619671-8	ROTOR		1			
016	643874-2	TERMINAL		1			
017	183S07-6	HOUSING SET		1			
C10	263005-3	RUBBER PIN 6		2			
C20	252126-6	HEX. LOCK NUT M4-7		2	*		
C21	252303-0	HEX. LOCK NUT M4-7	O	2			
D10		INC. 1					
020	413309-5	REAR COVER		1			
021	858E18-3	DDF487 SERIAL NO. LABEL		1			
022	652069-6	FLAT HEAD SCREW M3X6		3			
023	620549-0	LED CIRCUIT		1			
024	213087-5	O-RING 16.5		1	*		
024-1	213A10-6	O-RING 16.5	O	1			
025	266429-2	TAPPING SCREW 3X16		4			
026	233025-1	COMPRESSION SPRING 2		2			
A01	251314-2	+ SCREW M4X12		1			
A02	346317-0	HOOK		1			
A03	784637-8	+ BIT 2-45		1			
A04	821550-0	CONNECTOR PLASTIC CASE (TYPE2)		1			
C10	453974-8	LATCH		4			
A05	450128-8	BATTERY COVER		1			
A06	***DC18RC	DC18RC FAST CHARGER		1			
D10		COMPO-PARTS					
A07	197280-8	BATTERY BL1850B SET		2			

A08	837670-0	INNER TRAY		1		
A09	8029G3-1	DDF487RTJ INDICATION LABE		1		
A10	8029G4-9	DDF487RTJ PLASTIC CASE LABEL		2		
A04	821750-2	PLASTIC CASE		1		
C10	324679-6	SHAFT		1		
C20	458362-4	LATCH		3		
C30	458363-2	HANDLE		1		
C40	458364-0	PLASTIC CASE LID		1		
A07	197422-4	BATTERY BL1860B SET		1		
A10	8046Y1-9	DDF487RG PLASTIC CASE LABEL		2		
003	266130-9	TAPPING SCREW BIND PT 3X16		7	*	
003-1	266429-2	TAPPING SCREW 3X16	O	7		
012-2	266490-9	TAPPING SCREW PT 2X6	O	3		
024-1	213087-5	O-RING 16.5		1	*	
024-2	213A10-6	O-RING 16.5	O	1		
025	266130-9	TAPPING SCREW BIND PT 3X16		4	*	
025-1	266429-2	TAPPING SCREW 3X16	O	4		
A02	346449-3	HOOK		1		
A07	197254-9	BATTERY BL1820B SET		1		
A09	8029F7-6	DDF487RAJ INDICATION LABEL		1		
A10	8029F9-2	DDF487RAJ PLASTIC CASE LABEL		2		

Please state Parts No. when your order.

Print Date 10/24/2023