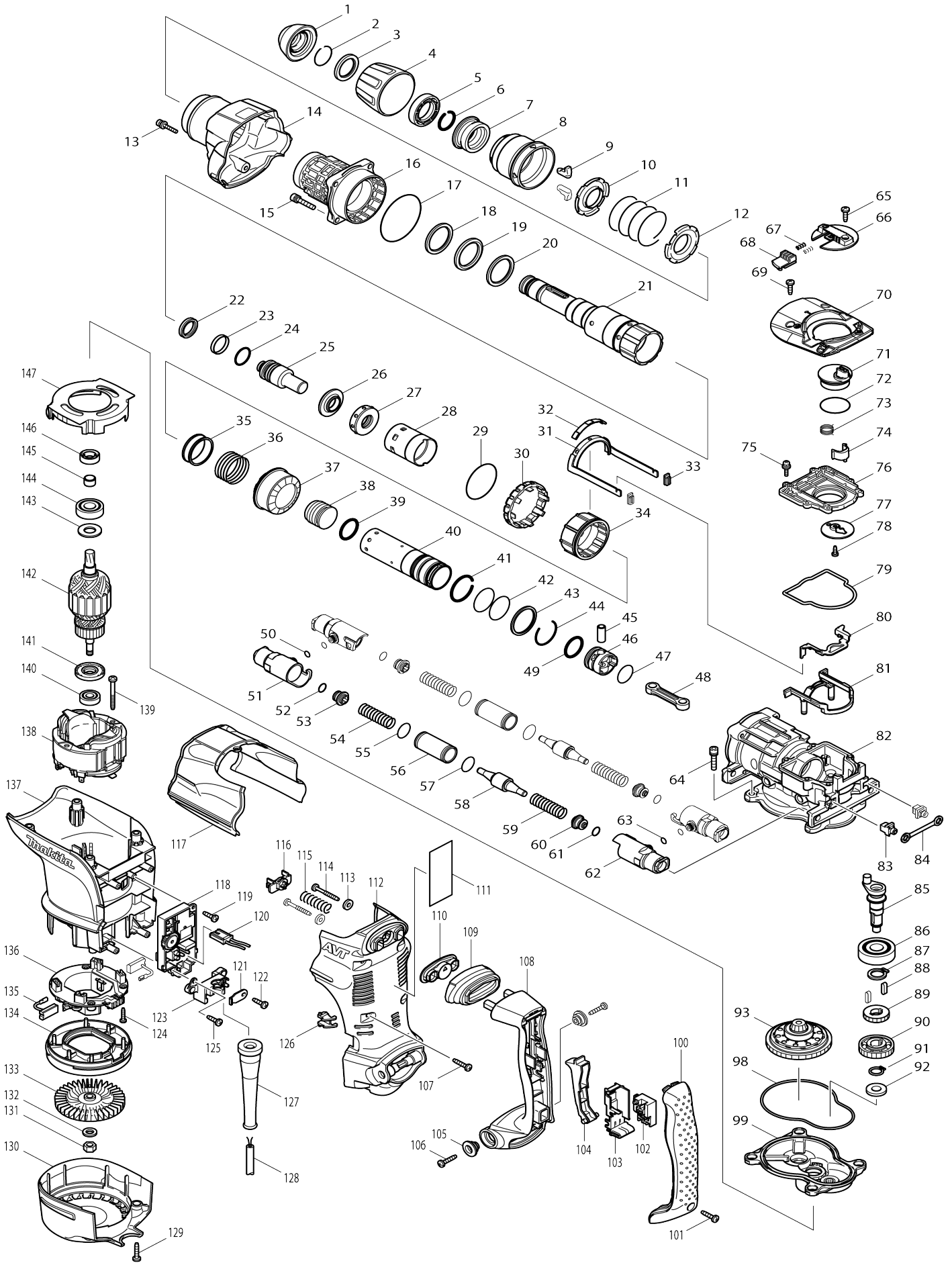


Model No.HR4511C ROTARY HAMMER 45MM



Model No.HR4511C ROTARY HAMMER 45MM

Item No.	Parts No.	Description	Interchangability	Q'ty	New/Old	Note1	Note2
C20	643711-0	BRUSH HOLDER		2			
001	286272-3	TOOL HOLDER CAP		1	*		
001-1	286285-4	TOOL HOLDER CAP	<	1			
002	233948-3	RING SPRING 25		1			
003	257280-1	RING 28		1			
004	450064-8	CHUCK COVER		1			
005	419002-9	SPACER		1			
006	233948-3	RING SPRING 25		1			
007	324752-2	CHUCK RING		1			
008	450030-5	RELEASE COVER		1			
009	310178-4	TOOL RETAINER		2			
010	345804-6	SPRING GUIDE		1			
011	233496-2	COMPRESSION SPRING 49		1			
012	345804-6	SPRING GUIDE		1			
013	922148-7	HEX. SOCKET HEAD BOLT M4X25		1			
014	158300-3	BARREL COVER COMPLETE		1			
015	922353-6	HEX.SOCKET HEAD BOLT M6X30		4			
016	158576-2	BARREL COMPLETE		1	*		
C10	213480-3	OIL SEAL 35		1	*		
C20	214507-2	PLANE BEARING 36		1	*		
C30	214601-0	PLANE BEARING 48		1	*		
C40	233964-5	RING SPRING 50		1	*		
016-1	158576-2	BARREL COMPLETE	<	1			
C10	213480-3	OIL SEAL 35		1			
C20	214507-2	PLANE BEARING 36		1			
C30	214601-0	PLANE BEARING 48		1			
C40	233964-5	RING SPRING 50		1			
C50	213604-1	O RING 50		1			
017	213754-2	O RING 71		1			
018	267357-4	FLAT WASHER 36		1			
019	262135-7	RUBBER RING 36		1			
020	267357-4	FLAT WASHER 36		1			
021	324872-2	TOOL HOLDER		1			
022	213980-3	X-RING 21		1			
023	213431-6	FLUORIDE RING 28		1			
024	213394-6	O RING 23		1			
025	324802-3	IMPACT BOLT		1			
026	324805-7	RING 19		1			
027	424032-7	RUBBER RING 20		1			
028	450024-0	SLIDE SLEEVE		1			
029	213656-2	O RING 53		1			
030	450031-3	LOCK SLEEVE		1			
031	165465-4	LINK ARM		1			
032	450032-1	LINK ARM GUIDE		1			
033	424024-6	SEAL PLATE		2			
034	324800-7	DRIVING SLEEVE		1			
035	331599-7	RING 38		1			

036	234024-6	COMPRESSION SPRING 39		1		
037	227526-9	STRAIGHT BEVEL GEAR 35		1		
038	324804-9	STRIKER		1		
039	213981-1	O-RING 27		1		
040	324803-1	CYLINDER 34		1		
041	233956-4	RING SPRING 37		1		
042	213460-9	O RING 35		2		
043	257283-5	RING 38		1		
044	233955-6	RING SPRING 36		1		
045	331598-9	PIPE 10		1		
046	450025-8	PISTON		1		
047	213407-3	O RING 26		1		
048	450026-6	CONNECTING ROD		1		
049	213981-1	O-RING 27		1		
050	213030-4	O RING 8		2		
051	318169-9	PIPE HOLDER		2		
052	213118-0	O RING 12		2		
053	450027-4	SPRING GUIDE		2		
054	234023-8	COMPRESSION SPRING 14		2		
055	213373-4	O RING 22		2		
056	331778-7	PIPE 20		2		
057	213373-4	O RING 22		2		
058	324806-5	COUNTER WEIGHT		2	*	
058-1	324806-5	COUNTER WEIGHT	O	2		
059	234023-8	COMPRESSION SPRING 14		2		
060	450027-4	SPRING GUIDE		2		
061	213118-0	O RING 12		2		
062	318169-9	PIPE HOLDER		2		
063	213030-4	O RING 8		2		
064	922353-6	HEX.SOCKET HEAD BOLT M6X30		4		
065	266192-7	TAPPING SCREW 4X14		1		
066	419020-7	CHANGE LEVER		1		
067	233436-0	COMPRESSION SPRING 3		2		
068	419009-5	LOCK BUTTON		1		
069	266192-7	TAPPING SCREW 4X14		2		
070	318170-4	CRANK CAP COVER		1		
071	419784-3	CRANK LEVER		1	*	
071-1	450687-2	CRANK LEVER	S	1		
072	213515-0	O RING 36		1	*	
072-1	213534-6	O RING 36	<	1	*	
072-2	213687-1	O RING 36	<	1	*	
072-3	213534-6	O RING 36	O	1	*	
072-4	213515-0	O RING 36	<	1		
073	233506-5	TORSION SPRING 16		1		
074	310207-3	LINK LEVER		1		
075	911133-5	PAN HEAD SCREW M4X18		6		
076	450034-7	CRANK CAP		1	*	
076-1	455525-3	CRANK CAP	<	1		
077	345778-1	RETAINER PLATE		1		
078	266020-6	TAPPING SCREW 4X12		1	*	
078-1	265014-8	+ PAN HEAD SCREW M4X12	S	1		
079	424034-3	SEAL RING		1		

080	345822-4	LINK PLATE		1		
081	450029-0	LINK PLATE GUIDE		1		
082	158297-6	CRANK HOUSING COMPLETE		1		
083	419008-7	FIX GUIDE		2		
084	423345-3	CUSHION PLATE		1		
085	324801-5	CRANK SHAFT		1		
086	211279-0	BALL BEARING 6303LLU		1		
087	961057-5	RETAINING RING S-17		1		
088	254220-0	KEY 5		2		
089	227181-7	SPUR GEAR 19		1	*	
089-1	227A08-7	SPUR GEAR 19	O	1		
090	226655-5	HELICAL GEAR 36		1	*	
090-1	227A07-9	HELICAL GEAR 36	O	1		
091	961054-1	RETAINING RING S-14		1		
092	253180-3	FLAT WASHER 10		1		
093	125415-1	TORQUE LIMITER ASS'Y		1		
098	424033-5	SEAL RING		1		
099	158299-2	GEAR HOUSING COMPLETE		1		
100	419796-6	HANDLE COVER		1		
101	265995-6	TAPPING SCREW 4X18		1		
102	650567-4	SWITCH TG73B-1		1	*	
102-1	650676-9	SWITCH C3PA-1111	<	1		
103	154626-1	SWITCH HOLDER COMPLETE		1		
104	419025-7	SWITCH LEVER		1		
105	313124-6	SHOULDER SLEEVE 6		2		
106	266041-8	TAPPING SCREW 5X25		2		
107	266041-8	TAPPING SCREW 5X25		6		
108	419798-2	HANDLE		1		
109	424035-1	DUST COVER		1		
110	450028-2	DUST COVER SUPPORT		1		
111	864096-3	HR4511C NAME PLATE		1	*	
111-1	8580T9-4	HR4511C NAME PLATE	O	1		
112	450038-9	HANDLE BASE		1		
113	253807-5	FLAT WASHER 5		2		
114	266211-9	TAPPING SCREW 5X40		2		
115	233434-4	COMPRESSION SPRING 11		1		
116	419013-4	SPRING GUIDE		1		
117	450036-3	CRANK HOUSING COVER		1		
118	631751-0	CONTROLLER		1		
119	266192-7	TAPPING SCREW 4X14		1	*	
119-1	266901-4	TAPPING SCREW 4X14	<	1		
120	638510-3	LEAD UNIT		1		
121	687169-3	STRAIN RELIEF		1		
122	266192-7	TAPPING SCREW 4X14		1		
123	419024-9	CORD CLAMP BASE		1		
124	265995-6	TAPPING SCREW 4X18		4		
125	266192-7	TAPPING SCREW 4X14		1	*	
125-1	266901-4	TAPPING SCREW 4X14	<	1		
126	419774-6	LENS		1		
127	682560-0	CORD GUARD 10		1		
128	695123-3	POWER SUPPLY CORD 1.5-2-4.0		1	*	

128-1	665638-4	POWER SUPPLY CORD 1.5-2-4.0	O	1	*		
128-2	695123-3	POWER SUPPLY CORD 1.5-2-4.0	O	1			
129	266041-8	TAPPING SCREW 5X25		2			
130	450035-5	REAR COVER		1			
131	252178-7	HEX. NUT M8-12		1			
132	253165-9	FLAT WASHER 8		1			
133	240016-5	FAN 90		1			
134	419782-7	FAN GUIDE		1			
135	194412-8	CARBON BRUSH CB-171		1	*		
135-1	195844-2	CARBON BRUSH CB-175	<	1			
136	638447-4	BRUSH HOLDER UNIT		1	*		
136-1	632D00-2	BRUSH HOLDER UNIT	<	1			
137	450041-0	MOTOR HOUSING		1			
138	636313-9	FIELD 220-240V		1			
139	266046-8	TAPPING SCREW 5X50		2			
140	210059-1	BALL BEARING 6000DDW		1			
141	681642-5	INSULATION WASHER		1			
142	517768-6	ARMATURE ASS'Y 220-240V		1			
D10		INC. 140,141,145					
143	267025-9	FLAT WASHER 15		1			
144	211238-4	BALL BEARING 6202LLU		1			
145	331596-3	SLEEVE 12		1			
146	213231-4	OIL SEAL 15		1			
147	450033-9	BAFFLE PLATE		1			
155	331840-8	SHOULDER SLEEVE 19		1			
156	819362-3	CLEAR LABEL		1			
A01	158131-0	GRIP 36 COMPLETE		1	*		
A01-1	135209-6	GRIP 36 ASS'Y	<	1			
C10	158131-0	GRIP 36 COMPLETE		1			
D10		INC. A06-A12					
A02	158273-0	PLASTIC CARRYING CASE COMPLETE		1	*		
C10	163467-4	LATCH		2	*		
C20	816879-7	INDICATION LABEL		1	*		
A02-1	140821-9	PLASTIC CARRYING CASE COMPLETE	O	1	*		
C10	892400-6	INDICATION LABEL		1	*		
A02-2	140765-3	PLASTIC CARRYING CASE COMPLETE	O	1	*		
C10	892400-6	INDICATION LABEL		1	*		
A02-3	196188-3	PLASTIC CASE SET	O	1	*		
C10	892400-6	INDICATION LABEL		1	*		
A02-4	198252-6	PLASTIC CASE SET	O	1			
A03	181573-3	GREASE VESSEL 93G		1	*		
C10	817105-7	CAUTION LABEL		1	*		
A03-1	194683-7	GREASE VESSEL SET	O	1	*		
A03-2	198993-4	GREASE VESSEL SET	<	1			
A04	134890-0	SIDE HANDLE 68 ASS'Y		1			
C10	151769-0	SIDE HANDLE 68 COMPLETE		1			
C20	252640-2	WING NUT M8		1			
C30	265439-6	HEX. BOLT M8X150		1			
C40	417002-3	SIDE HANDLE CAM		2			

C50	417003-1	SIDE HANDLE		1		
A05	443122-7	CLOTH		1		
A06	265701-9	THUMB SCREW M6X14		1		
A07	266163-4	CUP SQUARE NECK BOLT M8X80		1		
A08	321248-4	DEPTH GAUGE		1		
A09	344491-8	GRIP SPRING 68		1		
A10	344492-6	PLATE		1		
A11	416299-1	SIDE GRIP BASE 68		1		
A12	931302-2	HEX. NUT M6		1		
A14	892062-0	HR4511C PLASTIC CASE LABEL		2		
B01	195210-3	HAMMER SERVICE KIT SET		1		
C10	181490-7	HAMMER GREASE 30G		2		
D10		INC. 1,22-24,39,49,135				
F04	196074-8	DUST EXTRACTOR ATTACHMENT SET		1		
F06-1	199143-4	DUST EXTRACTOR ATT SET(EU)	<	1		
F07-1	199143-4	DUST EXTRACTOR ATT SET(EU)	<	1		
F09-1	199144-2	DUST EXTRACTOR ATT SET(EU)	<	1		
C10	417765-1	FRONT CUFF 22		1		
C20	417766-9	FRONT CUFF 38		1		
C30	415021-3	HOSE JOINT		1		
F10-1	199144-2	DUST EXTRACTOR ATT SET(EU)	<	1		
C10	417765-1	FRONT CUFF 22		1		
C20	417766-9	FRONT CUFF 38		1		
C30	415021-3	HOSE JOINT		1		

Please state Parts No. when your order.

Print Date 22/11/2023