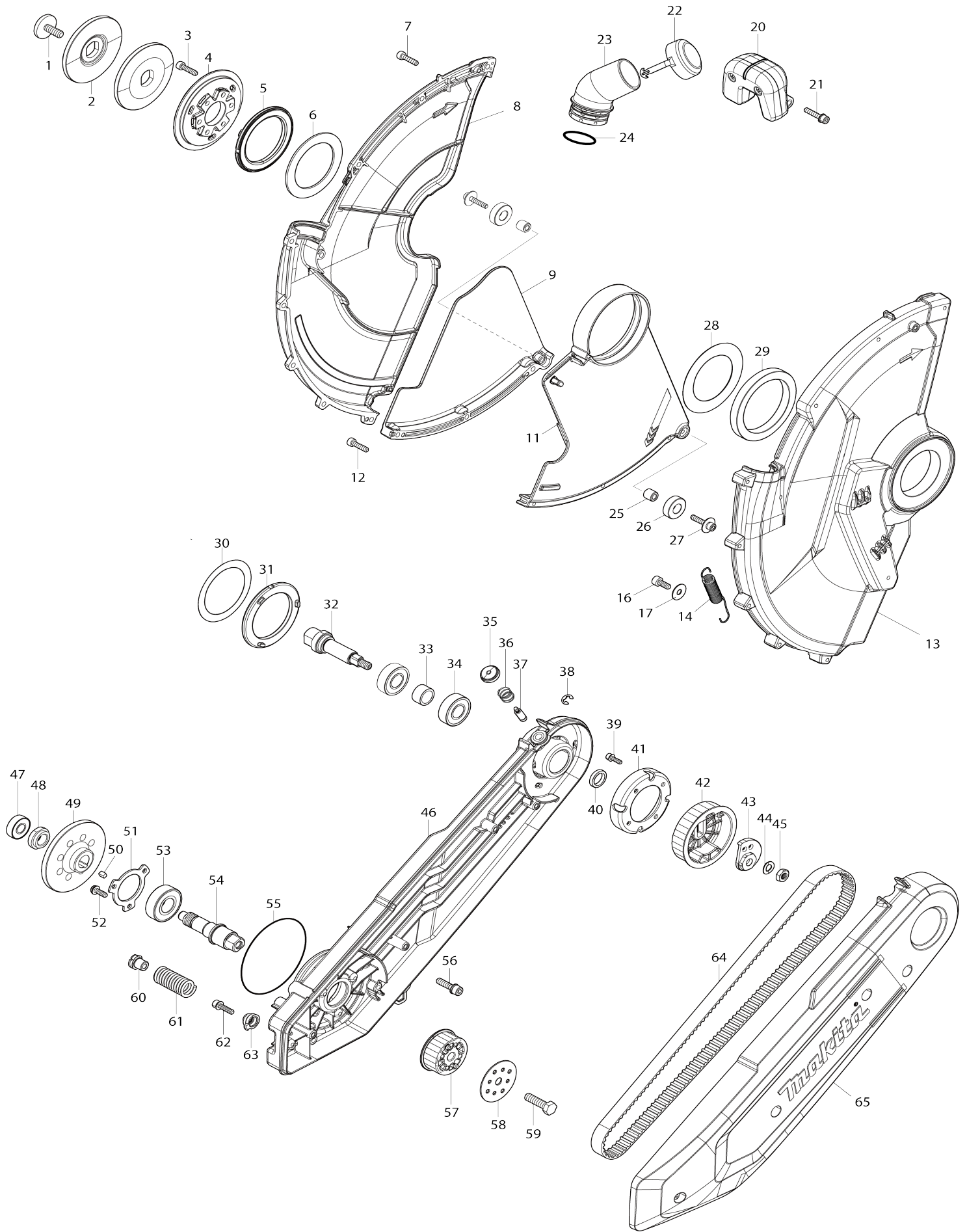
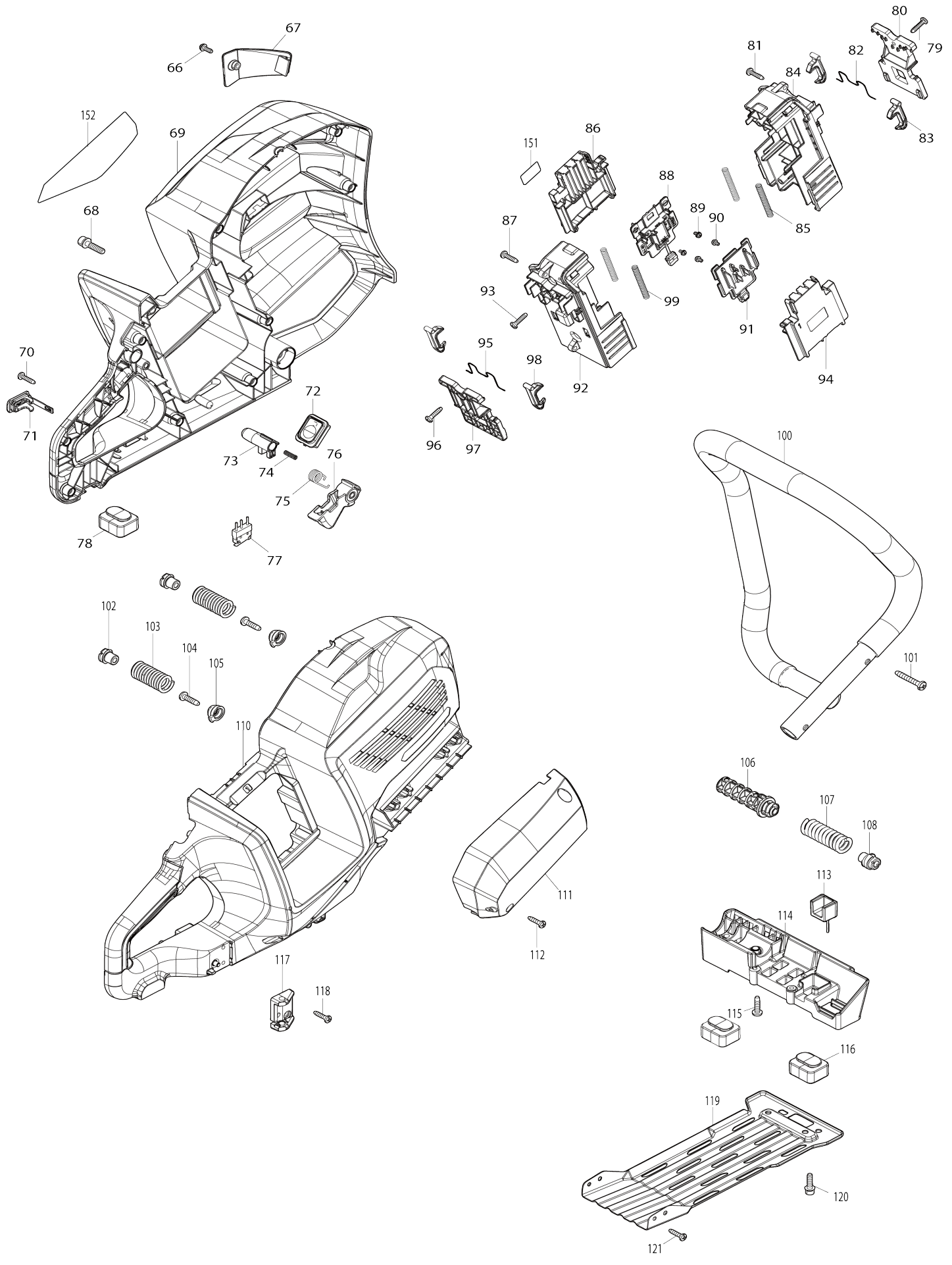


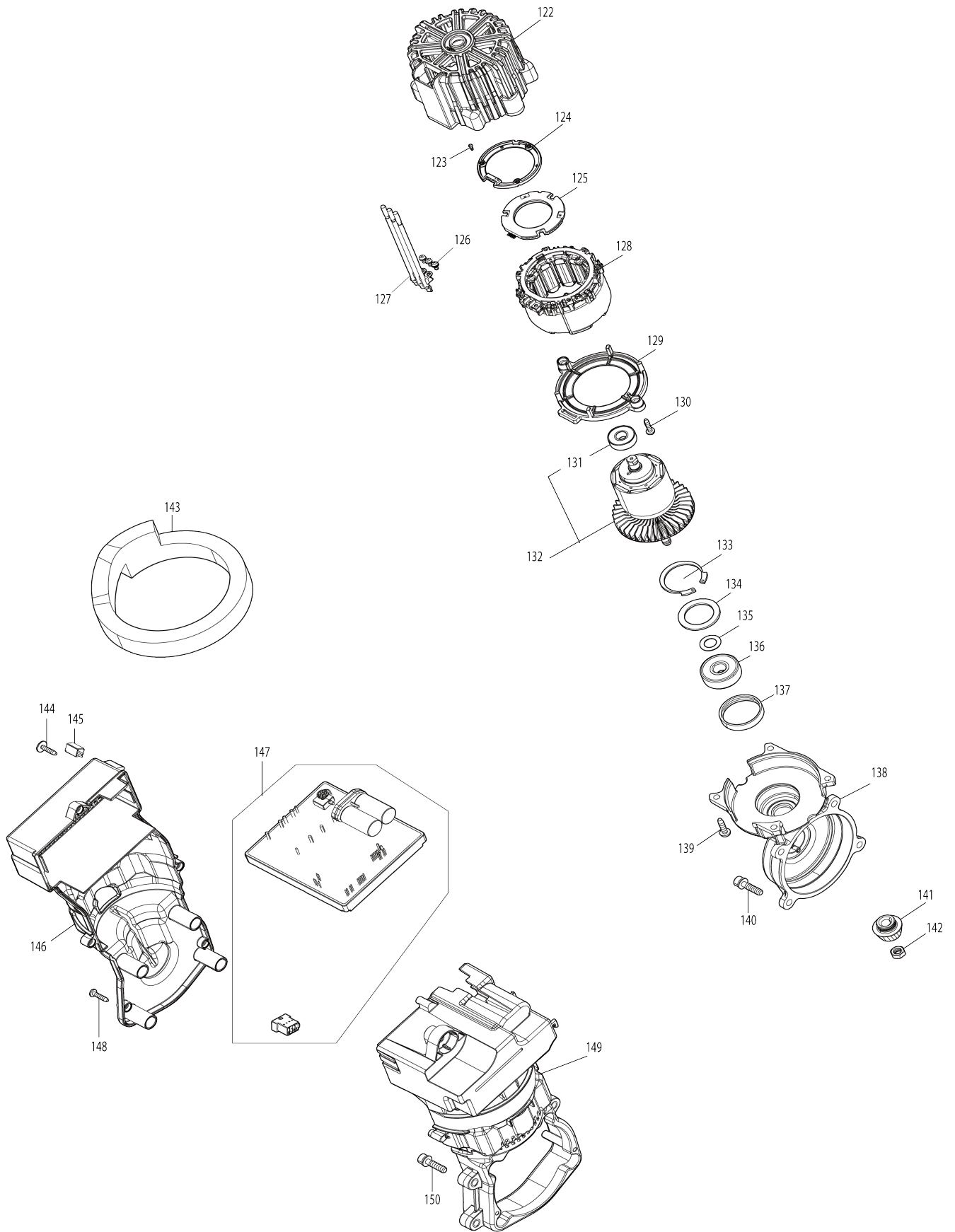
# Model No.CE002G 355MM CORDLESS POWER CUTTER



# Model No.CE002G 355MM CORDLESS POWER CUTTER



# Model No.CE002G 355MM CORDLESS POWER CUTTER



Model No.CE002G 355MM CORDLESS POWER CUTTER

Item No.	Parts No.	Description	Interchangability	Q'ty	New/Old	Note1	Note2
001	266976-3	HEX. BOLT M8X25		1			
002	224632-1	FLANGE 80		2			
003	922232-8	HEX. SOCKET HEAD BOLT M5X20		6			
004	312D66-5	BRACKET		1			
005	422822-2	RUBBER RING 56		1			
006	253574-2	FLAT WASHER 56		1			
007	922232-8	HEX. SOCKET HEAD BOLT M5X20		9			
008	137006-6	WHEEL COVER L ASS'Y		1			
C10	263002-9	RUBBER PIN 4		1			
C20	8064C1-9	CAUTION LABEL		1			
009	312D70-4	LOWER GUARD L		1			
011	141N02-2	LOWER GUARD R COMPLETE		1			
012	922232-8	HEX. SOCKET HEAD BOLT M5X20		3			
013	137005-8	WHEEL COVER R ASS'Y		1			
C10	263002-9	RUBBER PIN 4		1			
014	232798-3	TENSION SPRING 11		1			
016	922212-4	HEX. SOCKET HEAD BOLT M5X12		1			
017	253424-1	FLAT WASHER 6		1			
020	136853-2	WHEEL COVER GRIP ASSEMBLY		1			
C10	266326-2	TAPPING SCREW 4X18		2			
021	922243-3	HEX. SOCKET HEAD BOLT M5X25		2			
022	421362-7	CAP		1			
023	416741-2	ELBOW		1			
024	213888-1	O-RING 30		1			
025	257896-2	SLEEVE 5.4		2			
026	327B11-5	ROLLER 25		2			
027	265A89-3	H.S.H.BOLT M5X25 WITH WR		2			
028	413P09-3	BEARING COVER		1			
029	257A13-0	RING 65		1			
030	424792-1	SLIDING DISK		1			
031	422822-2	RUBBER RING 56		1			
032	327B10-7	SPINDLE		1			
033	257895-4	SLEEVE 15		1			
034	211238-4	BALL BEARING 6202LLU		2			
035	451485-7	PIN CAP		1			
036	233089-5	COMPRESSION SPRING 12		1			
037	256947-8	SHOULDER PIN 7		1			
038	961012-7	STOP RING E-6		1			
039	922123-3	HEX. SOCKET HEAD BOLT M4X14		2			
040	257868-7	RING 15		1			
041	347915-3	PULLEY BOTTOM PLATE		1			
042	222201-2	PULLEY 17-70.5		1			
043	313415-5	ECCENTRIC DISK		1			
044	267822-3	SPRING WASHER 8		1			
045	264053-5	HEX. NUT M8X1		1			
046	312D67-3	CUTTING DEVICE		1			
047	211062-5	BALL BEARING 600ZZ		1			

048	252429-8	NUT M15-23		1		
049	227922-1	SPIRAL BEVEL GEAR 53		1		
050	254201-4	KEY 4		1		
051	285049-3	BEARING RETAINER 33-59		1		
052	265074-0	PAN HEAD SCREW M5X16		3		
053	211278-2	BALL BEARING 6203DDW		1		
054	327B09-2	GEAR SHAFT		1		
055	213806-9	O RING 90		1		
056	922343-9	H.S.H.BOLT M6X25 WITH WR		1		
057	222203-8	PULLEY 17-45.0		1		
058	347A86-2	PULLEY PLATE 50		1		
059	265D39-6	HEX.BOLT M8X30		1		
060	312C34-2	SPRING HOLDER B		1		
061	232729-2	COMPRESSION SPRING 13		1		
062	922233-6	H.S.H.BOLT M5X20 WITH WR		1		
063	312C33-4	SPRING HOLDER A		1		
064	225107-3	SYNCHRO BELT 15-880		1		
065	141N00-6	BELT COVER COMPLETE		1		
C10	265B09-3	H.S. HEAD BOLT M5X30 WITH W R		4		
066	911118-1	PAN HEAD SCREW M4X12		1		
067	413C66-3	LENS		1		
068	922343-9	H.S.H.BOLT M6X25 WITH WR		1		
069	183Y26-8	HANDLE SET		1		
C10	8040V4-6	XGT LOGO LABEL		1		
D10		INC. 110				
070	266326-2	TAPPING SCREW 4X18		9		
071	140F99-0	CAP COMPLETE		1		
C10	213A05-9	O-RING16		1		
072	141G39-7	SWITCH CIRCUIT COMPLETE		1		
073	413C73-6	LOCK OFF BUTTON		1		
074	232444-8	COMPRESSION SPRING 4		1		
075	232732-3	TORSION SPRING 10		1		
076	413C72-8	SWITCH LEVER		1		
077	632T61-8	SWITCH UNIT		1		
078	422823-0	REAR FOOT		1		
079	266326-2	TAPPING SCREW 4X18		1		
080	413C77-8	LOCK COVER		1		
081	266326-2	TAPPING SCREW 4X18		2		
082	232731-5	LEVER SPRING		1		
083	413C76-0	BATTERY ADAPTER LOCK		2		
084	183U87-4	TERMINAL BOX SET		1		
C10	263005-3	RUBBER PIN 6		4		
D10		INC. 92				
085	232730-7	COMPRESSION SPRING 5		2		
086	413C74-4	BATTERY ADAPTER L		1		
087	266326-2	TAPPING SCREW 4X18		2		
088	632T08-2	TERMINAL UNIT		1		
089	652031-1	PAN HEAD SCREW M3X6		2		
090	652031-1	PAN HEAD SCREW M3X6		2		
091	632T08-2	TERMINAL UNIT		1		
092	183U87-4	TERMINAL BOX SET		1		

C10	263005-3	RUBBER PIN 6		4		
D10		INC. 84				
093	266326-2	TAPPING SCREW 4X18		2		
094	413C75-2	BATTERY ADAPTER R		1		
095	232731-5	LEVER SPRING		1		
096	266326-2	TAPPING SCREW 4X18		1		
097	413C77-8	LOCK COVER		1		
098	413C76-0	BATTERY ADAPTER LOCK		2		
099	232730-7	COMPRESSION SPRING 5		2		
100	327928-0	FRONT GRIP 26		1	*	
100-1	327C20-0	FRONT GRIP 26	<	1		
101	266373-3	TAPPING SCREW 5X35		2		
102	312C34-2	SPRING HOLDER B		2		
103	232729-2	COMPRESSION SPRING 13		2		
104	266021-4	TAPPING SCREW 5X20		2		
105	312C33-4	SPRING HOLDER A		2		
106	413C71-0	SPRING HOLDER D		1		
107	232728-4	COMPRESSION SPRING 12		1		
108	312C35-0	SPRING HOLDER C		1		
110	183Y26-8	HANDLE SET		1		
C10	8040V4-6	XGT LOGO LABEL		1		
D10		INC. 69				
111	136926-1	HOSE COVER ASS'Y		1		
C10	263005-3	RUBBER PIN 6		2		
112	266326-2	TAPPING SCREW 4X18		2		
113	424788-2	DAMPER		1		
114	312C32-6	STAND SUPPORT		1		
115	266021-4	TAPPING SCREW 5X20		2		
116	422823-0	REAR FOOT		2		
117	413N25-3	CLAMP BASE		1		
118	266326-2	TAPPING SCREW 4X18		2		
119	347916-1	BOTTOM GUARD		1		
120	922233-6	H.S.H.BOLT M5X20 WITH WR		2		
121	266326-2	TAPPING SCREW 4X18		2		
122	413C70-2	MOTOR HOUSING		1		
123	266490-9	TAPPING SCREW PT 2X6		3		
124	687B69-9	STOPPER		1		
125	620E26-2	CONTROLLER B		1		
126	652031-1	PAN HEAD SCREW M3X6		3		
127	632T19-7	LEAD UNIT		1	*	
127-1	632T58-7	LEAD UNIT	<	1		
128	629A92-2	STATOR		1		
129	459144-7	BAFFLE PLATE		1		
130	266326-2	TAPPING SCREW 4X18		2		
131	210059-1	BALL BEARING 6000DDW		1		
132	519717-9	ROTOR ASS'Y		1		
D10		INC. 131				
133	962211-4	RETAINING RING R-42		1		
134	253545-9	FLAT WASHER 28		1		
135	267212-0	FLAT WASHER 12		1		
136	211132-0	BALL BEARING 6301DDW		1		
137	262085-6	RUBBER RING 38		1		

138	141G44-4	GEAR HOUSING COMPLETE		1		
C10	263002-9	RUBBER PIN 4		1		
139	266021-4	TAPPING SCREW 5X20		4		
140	922343-9	H.S.H.BOLT M6X25 WITH WR		4		
141	227921-3	SPIRAL BEVEL GEAR 15		1		
142	252178-7	HEX. NUT M8-12		1		
143	422821-4	SPONGE SHEET		1		
144	265620-9	TAPPING SCREW FLANGE 4X18		1		
145	620H50-3	LED CIRCUIT		1		
146	183U88-2	MOTOR HOUSING COVER SET		1		
D10		INC. 149				
147	620K97-5	CONTROLLER		1		
148	266326-2	TAPPING SCREW 4X18		5		
149	183U88-2	MOTOR HOUSING COVER SET		1		
D10		INC. 146				
150	922343-9	H.S.H.BOLT M6X25 WITH WR		5		
151	8585M0-3	CE002G SERIAL NO. LABEL		1		
152	8585L3-0	CE002G NAME PLATE		1		
A01	191W53-9	RING SET		1		
A02	413N26-1	HOSE CLAMP 40		1		
A03	413P08-5	HOSE CLAMP 46		1		
A04	782037-6	BOX WRENCH 13-19		1		
A05	D-56998	LASER DIAMOND WHEEL SEGMENTED		1		
A06	198900-7	WIRELESS UNIT SET		1		

Please state Parts No. when your order.

Print Date 10/24/2023