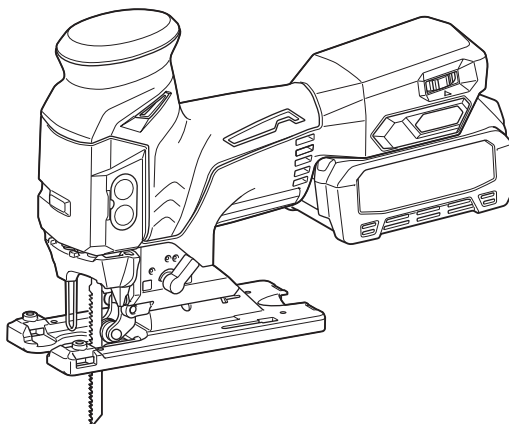
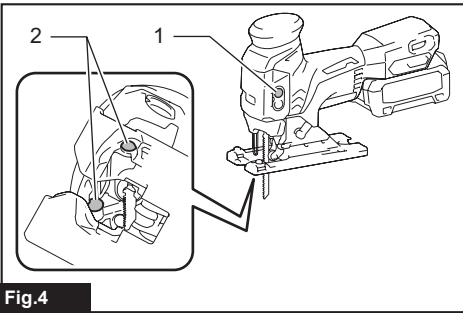
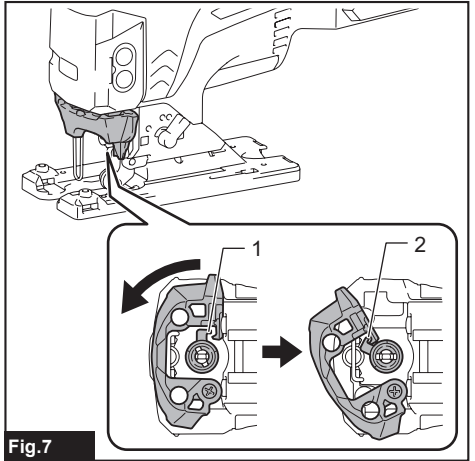
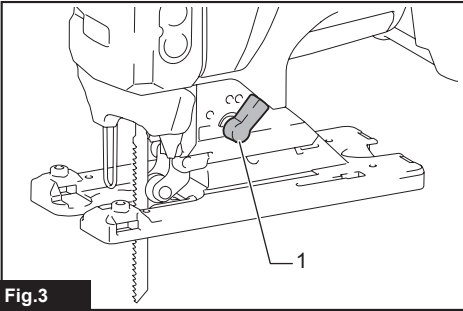
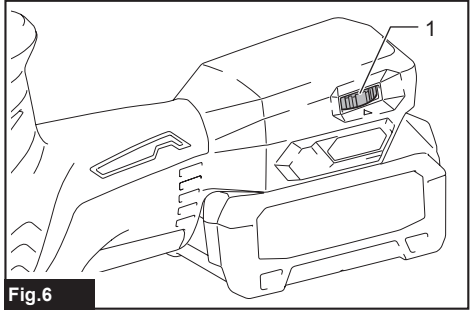
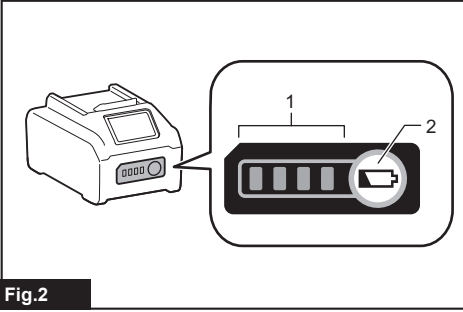
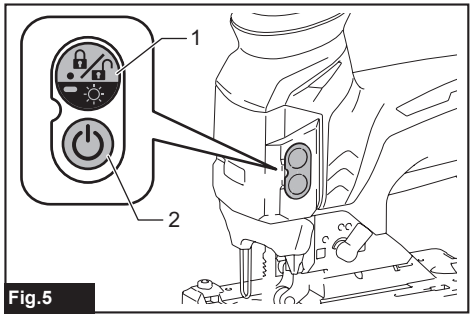
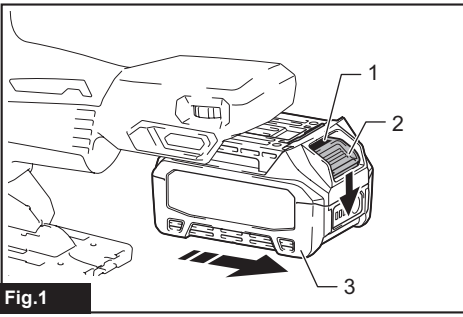




EN	Cordless Jig Saw	INSTRUCTION MANUAL	6
SV	Batteridrivnen sticksåg	BRUKSANVISNING	14
NO	Batteridrevet stikksag	BRUKSANVISNING	22
FI	Langaton lehtisaha	KÄYTTÖOHJE	30
DA	Akku stiksav	BRUGSANVISNING	38
LV	Bezvada figūrzāģis	LIETOŠANAS INSTRUKCIJA	46
LT	Belaidis metalo pjūklelis	NAUDOJIMO INSTRUKCIJA	54
ET	Juhtmeta tikksaag	KASUTUSJUHEND	62
RU	Аккумуляторный Лобзик	РУКОВОДСТВО ПО ЭКСПЛУАТАЦИИ	70

JV001G





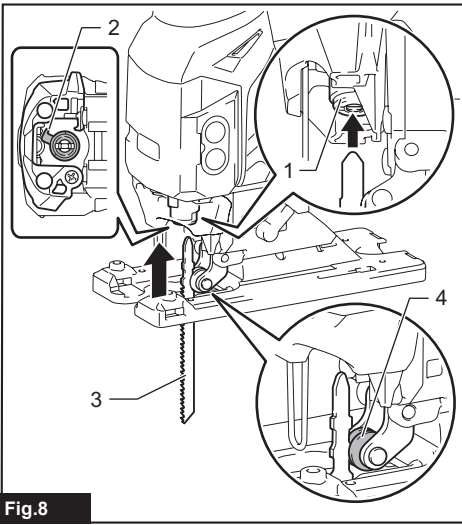


Fig.8

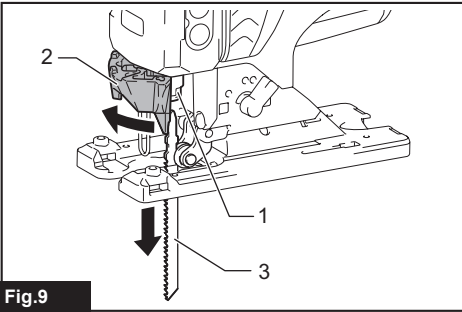


Fig.9

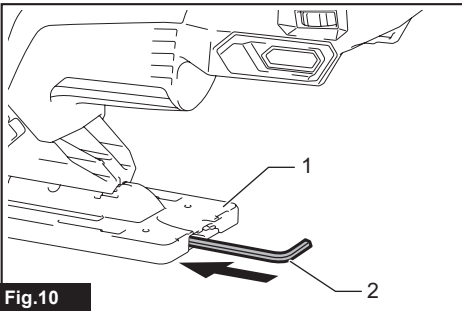


Fig.10

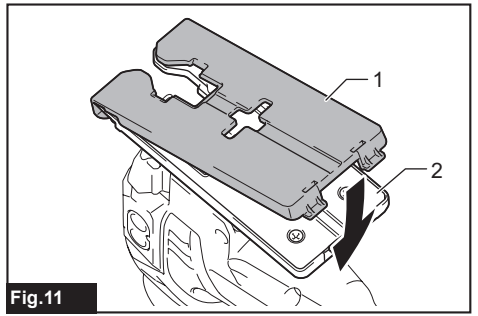


Fig.11

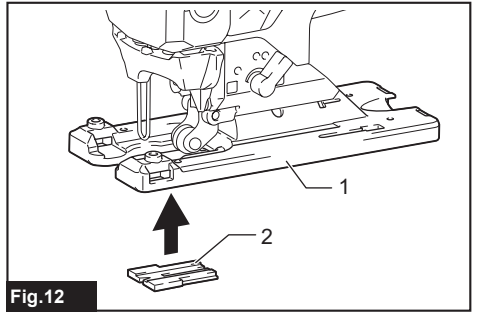


Fig.12

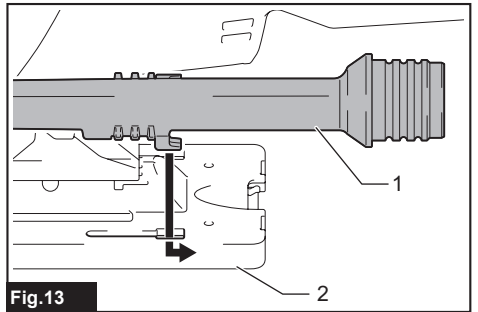


Fig.13

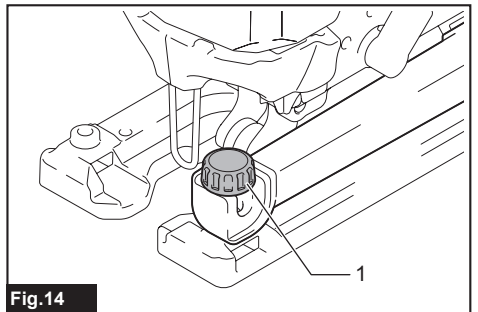


Fig.14

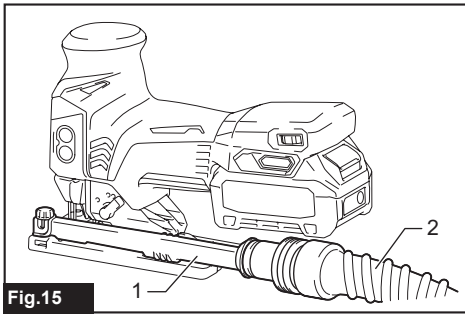


Fig. 15

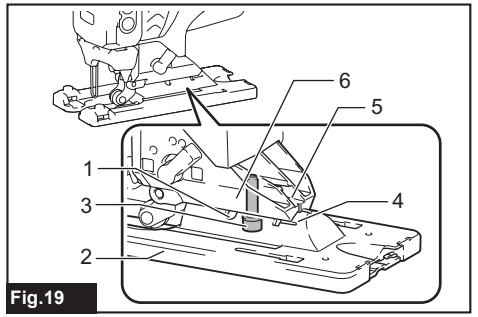


Fig. 19

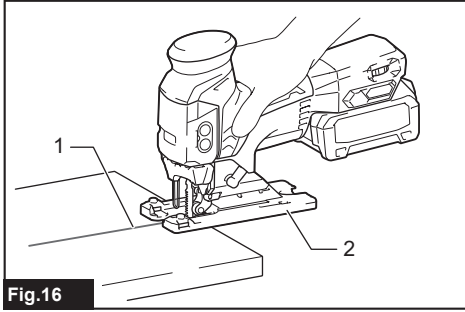


Fig. 16

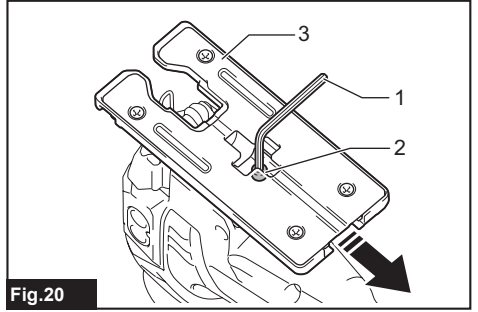


Fig. 20

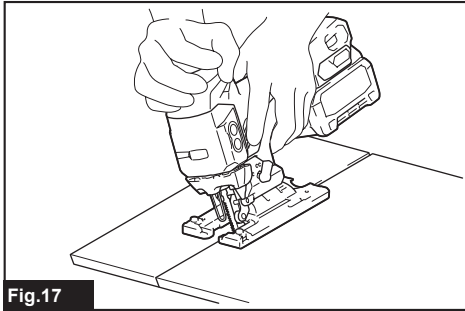


Fig. 17

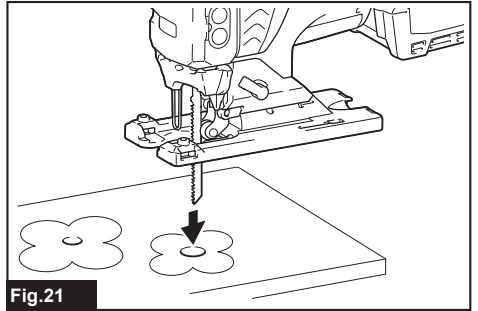


Fig. 21

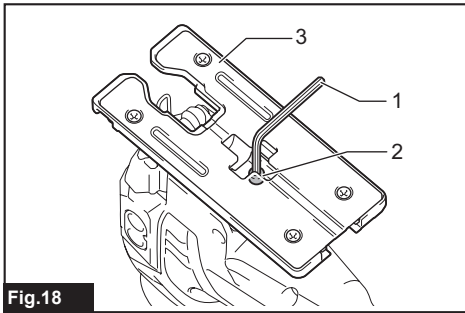


Fig. 18

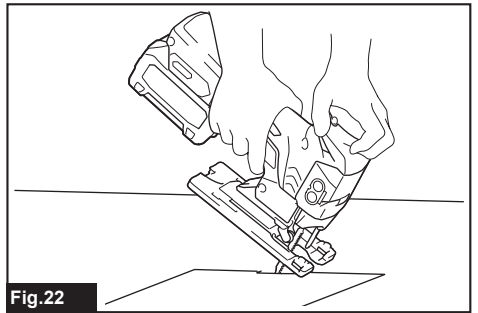


Fig. 22

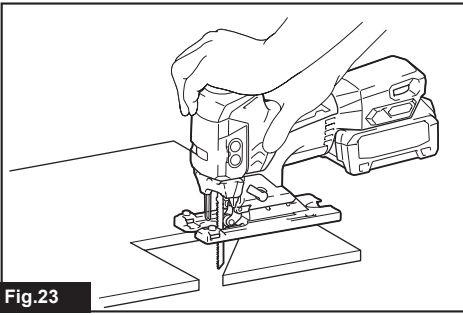


Fig. 23

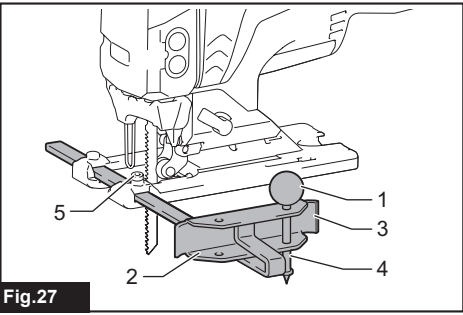


Fig. 27

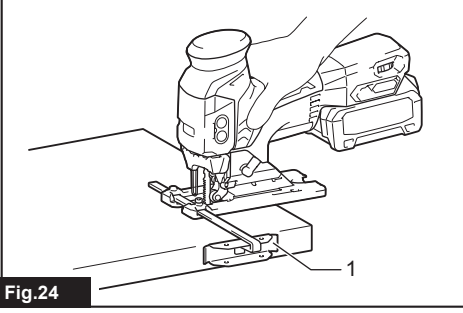


Fig. 24

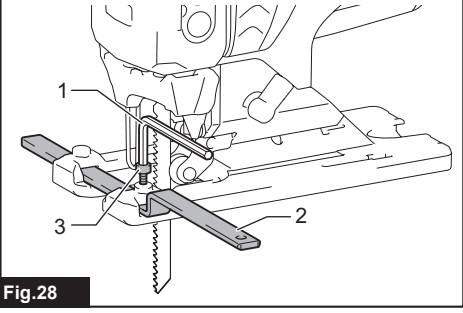


Fig. 28

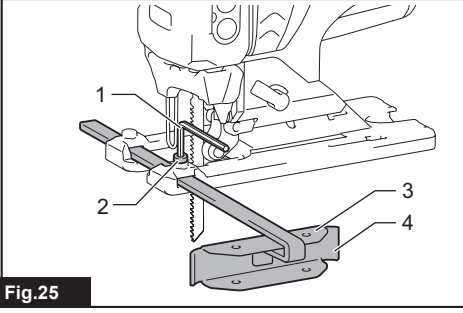


Fig. 25

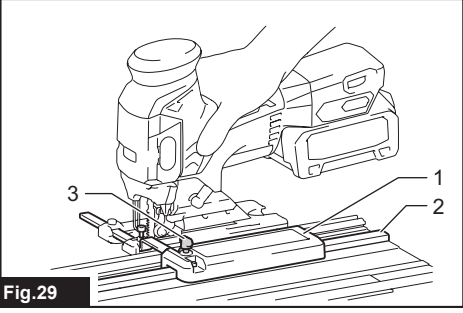


Fig. 29

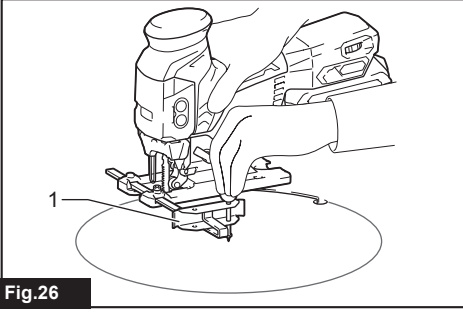


Fig. 26

SPECIFICATIONS

Model:		JV001G
Length of stroke		26 mm
Strokes per minute		800 - 3,500 min ⁻¹
Blade type		B type
Max. cutting capacities	Wood	135 mm
	Mild steel	10 mm
	Aluminum	20 mm
Overall length (with BL4025)		283 mm
Rated voltage		D.C. 36 V - 40 V max
Net weight		2.6 - 2.9 kg

- Due to our continuing program of research and development, the specifications herein are subject to change without notice.
- Specifications may differ from country to country.
- The weight may differ depending on the attachment(s), including the battery cartridge. The lightest and heaviest combinations, according to EPTA-Procedure 01/2014, are shown in the table.

Applicable battery cartridge and charger

Battery cartridge	BL4020 / BL4025 / BL4040
Charger	DC40RA / DC40RB / DC40RC

- Some of the battery cartridges and chargers listed above may not be available depending on your region of residence.

⚠WARNING: Only use the battery cartridges and chargers listed above. Use of any other battery cartridges and chargers may cause injury and/or fire.

Intended use

The tool is intended for the sawing of wood, plastic and metal materials.

Noise

The typical A-weighted noise level determined according to EN62841-2-11:

Sound pressure level (L_{pA}) : 87 dB (A)

Sound power level (L_{WA}) : 98 dB (A)

Uncertainty (K) : 3 dB (A)

NOTE: The declared noise emission value(s) has been measured in accordance with a standard test method and may be used for comparing one tool with another.

NOTE: The declared noise emission value(s) may also be used in a preliminary assessment of exposure.

⚠WARNING: Wear ear protection.

⚠WARNING: The noise emission during actual use of the power tool can differ from the declared value(s) depending on the ways in which the tool is used especially what kind of workpiece is processed.

⚠WARNING: Be sure to identify safety measures to protect the operator that are based on an estimation of exposure in the actual conditions of use (taking account of all parts of the operating cycle such as the times when the tool is switched off and when it is running idle in addition to the trigger time).

Vibration

The vibration total value (tri-axial vector sum) determined according to EN62841-2-11:

Work mode: cutting boards

Vibration emission ($a_{h,B}$) : 4.6 m/s²

Uncertainty (K) : 2.5 m/s²

Work mode: cutting sheet metal

Vibration emission ($a_{h,M}$) : 4.8 m/s²

Uncertainty (K) : 1.5 m/s²

NOTE: The declared vibration total value(s) has been measured in accordance with a standard test method and may be used for comparing one tool with another.

NOTE: The declared vibration total value(s) may also be used in a preliminary assessment of exposure.

⚠WARNING: The vibration emission during actual use of the power tool can differ from the declared value(s) depending on the ways in which the tool is used especially what kind of workpiece is processed.

⚠WARNING: Be sure to identify safety measures to protect the operator that are based on an estimation of exposure in the actual conditions of use (taking account of all parts of the operating cycle such as the times when the tool is switched off and when it is running idle in addition to the trigger time).

Declarations of Conformity

For European countries only

The Declarations of conformity are included in Annex A to this instruction manual.

SAFETY WARNINGS

General power tool safety warnings

⚠WARNING Read all safety warnings, instructions, illustrations and specifications provided with this power tool. Failure to follow all instructions listed below may result in electric shock, fire and/or serious injury.

Save all warnings and instructions for future reference.

The term "power tool" in the warnings refers to your mains-operated (corded) power tool or battery-operated (cordless) power tool.

Cordless jig saw safety warnings

1. Hold the power tool by insulated gripping surfaces, when performing an operation where the cutting accessory may contact hidden wiring. Cutting accessory contacting a "live" wire may make exposed metal parts of the power tool "live" and could give the operator an electric shock.
2. Use clamps or another practical way to secure and support the workpiece to a stable platform. Holding the workpiece by hand or against your body leaves it unstable and may lead to loss of control.
3. Always use safety glasses or goggles. Ordinary eye or sun glasses are NOT safety glasses.
4. Avoid cutting nails. Inspect workpiece for any nails and remove them before operation.
5. Do not cut oversize workpiece.

6. Check for the proper clearance around the workpiece before cutting so that the jig saw blade will not strike the floor, workbench, etc.
7. Hold the tool firmly.
8. Make sure the jig saw blade is not contacting the workpiece before the switch is turned on.
9. Keep hands away from moving parts.
10. Do not leave the tool running. Operate the tool only when hand-held.
11. Always switch off and wait for the jig saw blade to come to a complete stop before removing the jig saw blade from the workpiece.
12. Do not touch the jig saw blade or the workpiece immediately after operation; they may be extremely hot and could burn your skin.
13. Do not operate the tool at no-load unnecessarily.
14. Some material contains chemicals which may be toxic. Take caution to prevent dust inhalation and skin contact. Follow material supplier safety data.
15. Always use the correct dust mask/respirator for the material and application you are working with.

SAVE THESE INSTRUCTIONS.

⚠WARNING: DO NOT let comfort or familiarity with product (gained from repeated use) replace strict adherence to safety rules for the subject product. MISUSE or failure to follow the safety rules stated in this instruction manual may cause serious personal injury.

Important safety instructions for battery cartridge

1. Before using battery cartridge, read all instructions and cautionary markings on (1) battery charger, (2) battery, and (3) product using battery.
2. Do not disassemble or tamper with the battery cartridge. It may result in a fire, excessive heat, or explosion.
3. If operating time has become excessively shorter, stop operating immediately. It may result in a risk of overheating, possible burns and even an explosion.
4. If electrolyte gets into your eyes, rinse them out with clear water and seek medical attention right away. It may result in loss of your eyesight.
5. Do not short the battery cartridge:
 - (1) Do not touch the terminals with any conductive material.
 - (2) Avoid storing battery cartridge in a container with other metal objects such as nails, coins, etc.
 - (3) Do not expose battery cartridge to water or rain.A battery short can cause a large current flow, overheating, possible burns and even a breakdown.

6. **Do not store and use the tool and battery cartridge in locations where the temperature may reach or exceed 50 °C (122 °F).**
7. **Do not incinerate the battery cartridge even if it is severely damaged or is completely worn out. The battery cartridge can explode in a fire.**
8. **Do not nail, cut, crush, throw, drop the battery cartridge, or hit against a hard object to the battery cartridge.** Such conduct may result in a fire, excessive heat, or explosion.
9. **Do not use a damaged battery.**
10. **The contained lithium-ion batteries are subject to the Dangerous Goods Legislation requirements.**
For commercial transports e.g. by third parties, forwarding agents, special requirement on packaging and labeling must be observed.
For preparation of the item being shipped, consulting an expert for hazardous material is required.
Please also observe possibly more detailed national regulations.
Tape or mask off open contacts and pack up the battery in such a manner that it cannot move around in the packaging.
11. **When disposing the battery cartridge, remove it from the tool and dispose of it in a safe place. Follow your local regulations relating to disposal of battery.**
12. **Use the batteries only with the products specified by Makita.** Installing the batteries to non-compliant products may result in a fire, excessive heat, explosion, or leak of electrolyte.
13. **If the tool is not used for a long period of time, the battery must be removed from the tool.**
14. **During and after use, the battery cartridge may take on heat which can cause burns or low temperature burns. Pay attention to the handling of hot battery cartridges.**
15. **Do not touch the terminal of the tool immediately after use as it may get hot enough to cause burns.**
16. **Do not allow chips, dust, or soil stuck into the terminals, holes, and grooves of the battery cartridge.** It may cause heating, catching fire, burst and malfunction of the tool or battery cartridge, resulting in burns or personal injury.
17. **Unless the tool supports the use near high-voltage electrical power lines, do not use the battery cartridge near a high-voltage electrical power lines.** It may result in a malfunction or breakdown of the tool or battery cartridge.
18. **Keep the battery away from children.**

SAVE THESE INSTRUCTIONS.

CAUTION: Only use genuine Makita batteries. Use of non-genuine Makita batteries, or batteries that have been altered, may result in the battery bursting causing fires, personal injury and damage. It will also void the Makita warranty for the Makita tool and charger.

Tips for maintaining maximum battery life

1. **Charge the battery cartridge before completely discharged. Always stop tool operation and charge the battery cartridge when you notice less tool power.**
2. **Never recharge a fully charged battery cartridge. Overcharging shortens the battery service life.**
3. **Charge the battery cartridge with room temperature at 10 °C - 40 °C (50 °F - 104 °F). Let a hot battery cartridge cool down before charging it.**
4. **When not using the battery cartridge, remove it from the tool or the charger.**
5. **Charge the battery cartridge if you do not use it for a long period (more than six months).**

FUNCTIONAL DESCRIPTION

CAUTION: Always be sure that the tool is switched off and the battery cartridge is removed before adjusting or checking function on the tool.

Installing or removing battery cartridge

CAUTION: Always switch off the tool before installing or removing of the battery cartridge.

CAUTION: Hold the tool and the battery cartridge firmly when installing or removing battery cartridge. Failure to hold the tool and the battery cartridge firmly may cause them to slip off your hands and result in damage to the tool and battery cartridge and a personal injury.

► Fig.1: 1. Red indicator 2. Button 3. Battery cartridge

To remove the battery cartridge, slide it from the tool while sliding the button on the front of the cartridge.

To install the battery cartridge, align the tongue on the battery cartridge with the groove in the housing and slip it into place. Insert it all the way until it locks in place with a little click. If you can see the red indicator as shown in the figure, it is not locked completely.

CAUTION: Always install the battery cartridge fully until the red indicator cannot be seen. If not, it may accidentally fall out of the tool, causing injury to you or someone around you.

CAUTION: Do not install the battery cartridge forcibly. If the cartridge does not slide in easily, it is not being inserted correctly.

Indicating the remaining battery capacity

Press the check button on the battery cartridge to indicate the remaining battery capacity. The indicator lamps light up for a few seconds.

► **Fig.2:** 1. Indicator lamps 2. Check button

Indicator lamps			Remaining capacity
Lighted	Off	Blinking	
■	□	▧	75% to 100%
■ ■ ■ ■			
■ ■ ■	□		50% to 75%
■ ■	□ □		25% to 50%
■	□ □ □ □		0% to 25%
▧	□ □ □ □		Charge the battery.
■ ■ □ □	□ □		The battery may have malfunctioned.
□ □ ■ ■		↑ ↓	

NOTE: Depending on the conditions of use and the ambient temperature, the indication may differ slightly from the actual capacity.

NOTE: The first (far left) indicator lamp will blink when the battery protection system works.

Tool / battery protection system

The tool is equipped with a tool/battery protection system. This system automatically cuts off power to the motor to extend tool and battery life. The tool will automatically stop during operation if the tool or battery is placed under one of the following conditions:

Overload protection

When the battery is operated in a manner that causes it to draw an abnormally high current, the tool automatically stops without any indication. In this situation, turn the tool off and stop the application that caused the tool to become overloaded. Then turn the tool on to restart.

Overheat protection

When the tool or battery is overheated, the tool stops automatically and the lamp blinks. In this case, let the tool and battery cool before turning the tool on again.

Overdischarge protection

When the battery capacity is not enough, the tool stops automatically. In this case, remove the battery from the tool and charge the battery.

Protections against other causes

Protection system is also designed for other causes that could damage the tool and allows the tool to stop automatically. Take all the following steps to clear the causes, when the tool has been brought to a temporary halt or stop in operation.

1. Turn the tool off, and then turn it on again to restart.
2. Charge the battery(ies) or replace it/them with recharged battery(ies).
3. Let the tool and battery(ies) cool down.

If no improvement can be found by restoring protection system, then contact your local Makita Service Center.

Selecting the cutting action

This tool can be operated with an orbital or a straight line (up and down) cutting action. The orbital cutting action thrusts the jig saw blade forward and increases cutting speed.

► **Fig.3:** 1. Cutting action changing lever

To change the cutting action, turn the cutting action changing lever to the desired cutting action position. Refer to the table to select the appropriate cutting action.

Position	Cutting action	Applications
0	Straight line cutting action	For cutting mild steel, stainless steel and plastics.
		For clean cuts in wood and plywood.
I	Small orbital cutting action	For cutting mild steel, aluminum and hard wood.
II	Medium orbital cutting action	For cutting wood and plywood.
		For fast cutting in aluminum and mild steel.
III	Large orbital cutting action	For fast cutting in wood and plywood.

Lighting up the front lamp

CAUTION: Do not look in the light or see the source of light directly.

Press the lock switch to turn on the lamp. Press the lock switch again to turn off the lamp.

► **Fig.4:** 1. Lock switch 2. Lamp

NOTICE: When the tool is overheated, the lamp blinks. Cool down the tool fully before operating the tool again.

NOTE: Use a dry cloth to wipe the dirt off the lens of the lamp. Be careful not to scratch the lens of lamp, or it may lower the illumination.

Switch action

To turn on the tool, press the lock switch. The tool turns into the standby mode. To start the tool, press the ON/standby switch in the standby mode. To stop the tool, press the ON/standby switch again. The tool turns into the standby mode. To turn off the tool, press the lock switch in the standby mode.

► **Fig.5:** 1. Lock switch 2. ON/standby switch

NOTE: If the tool is left for 10 seconds without any operation in the standby mode, the tool automatically turns off and the lamp goes off.

NOTE: You can also stop and turn off the tool by pressing the lock switch while the tool is operating.

To decrease the brightness of the lamp, press and hold the lock switch when turning into the standby mode. About 1 second after you start pressing the lock switch, the brightness of the lamp will start to decrease, so release the lock switch when you reach the desired brightness. It turns the tool into standby mode, too. About 3 seconds after you start pressing the lock switch, the brightness of the lamp will be minimized and the brightness will not change after that.

NOTE: The brightness of the lamp cannot be adjusted while the tool is in standby mode. Turn off the tool to decrease the brightness of the lamp.

NOTE: There is no memory function for the brightness of the lamp. If you turn the lamp off and then turn it on, the brightness of the lamp will be maximized each time.

Speed adjusting dial

► **Fig.6:** 1. Speed adjusting dial

The tool speed can be adjusted by turning the speed adjusting dial. You can get the highest speed at 6 and the lowest speed at 1.

Refer to the table to select the proper speed for the workpiece to be cut. However, the appropriate speed may differ with the type or thickness of the workpiece. In general, higher speeds will allow you to cut workpieces faster but the service life of the jig saw blade will be reduced.

Workpiece	Number
Wood	4 - 6
Mild steel	3 - 6
Stainless steel	3 - 4
Aluminum	3 - 6
Plastics	1 - 4

NOTICE: The speed adjusting dial can be turned only as far as 6 and back to 1. Do not force it past 6 or 1, or the speed adjusting function may no longer work.

Electronic function

The tool is equipped with the electronic functions for easy operation.

Soft start

The soft-start function minimizes start-up shock, and makes the tool start smoothly.

Constant speed control

Electronic speed control for obtaining constant speed. Possible to get fine finish, because the rotating speed is kept constant even under load condition.

Soft no-load rotation

When the speed adjusting dial is set to "3" or higher, the tool automatically reduces the speed at no-load to reduce the vibration and align the jig saw blade with the cutting line easily. Once the tool starts cutting the workpiece, the tool speed increase and reach the pre-set speed.

NOTE: When the temperature is low, this function may not be available. This function also may not be available depending on the type of the material.

NOTE: If the speed does not decrease after cutting the workpiece, turn off the tool and then turn on it again.

Disabling or enabling the soft no-load rotation function

To disable or enable the soft no-load rotation function, follow the steps below.

1. Make sure that the tool is turned off.
2. Set the speed adjusting dial to "1".
3. Press the lock switch to turn on the tool.
4. Turn the speed adjusting dial to "6", and then set it back to "1".

The lamp blinks twice when the soft no-load rotation function is disabled or enabled. To enable or disable this function again, perform the same procedure again.

NOTE: If the soft no-load rotation function is disabled, the lamp blinks twice when the tool is turned on.

NOTE: You can also disable or enable the soft no-load rotation function by changing the speed adjusting dial to "6" - "1" - "6".

Electric brake

This tool is equipped with an electric brake. If the tool consistently fails to quickly stop after the switch trigger is released, have the tool serviced at a Makita service center.

ASSEMBLY

⚠ CAUTION: Always be sure that the tool is switched off and the battery cartridge is removed before carrying out any work on the tool.

Installing or removing jig saw blade

⚠ CAUTION: Always clean out all chips or foreign matter adhering to the jig saw blade and/or blade holder. Failure to do so may cause insufficient tightening of the jig saw blade, resulting in a serious personal injury.

⚠ CAUTION: Do not touch the jig saw blade or the workpiece immediately after operation. They may be extremely hot and could burn your skin.

⚠ CAUTION: Always secure the jig saw blade firmly. Insufficient tightening of the jig saw blade may cause the blade breakage or serious personal injury.

⚠ CAUTION: When you remove the jig saw blade, be careful not to hurt your fingers with the top of the jig saw blade or the tips of workpiece.

Before installing the jig saw blade, make sure that the jig saw blade clamp lever is in the released position. To install the jig saw blade, insert the jig saw blade (teeth facing forward) into the jig saw blade holder until it latches. The jig saw blade clamp lever moves to the fixed position by itself and the jig saw blade is locked. Make sure that the back edge of the jig saw blade fits into the roller. Pull the jig saw blade lightly to make sure that the jig saw blade does not fall off during operation.

► **Fig.7:** 1. Jig saw blade clamp lever (fixed position)
2. Jig saw blade clamp lever (released position)

► **Fig.8:** 1. Jig saw blade holder 2. Jig saw blade clamp lever (released position) 3. Jig saw blade 4. Roller

⚠ CAUTION: Do not open the tool opener excessively, or it may cause tool damage.

To remove the jig saw blade, open the tool opener forward as far as it will go. This allows the jig saw blade to be released.

► **Fig.9:** 1. Jig saw blade holder 2. Tool opener 3. Jig saw blade

NOTE: In case that it is difficult to remove the jig saw blade:

Turn the cutting action changing lever to the position "III" and slightly switch on the tool several times so that the jig saw blade holder moves to the bottom.

Make sure the jig saw blade clamp lever is in the fixed position when switch on the tool.

Remove the battery cartridge from the tool before installing or removing the jig saw blade.

NOTE: Occasionally lubricate the roller.

Hex wrench storage

When not in use, store the hex wrench as shown in the figure to keep it from being lost.

► **Fig.10:** 1. Base 2. Hex wrench

Cover plate

Use the cover plate when cutting decorative veneers, plastics, etc. It protects sensitive or delicate surfaces from damage. Fit it on the bottom of the tool base.

► **Fig.11:** 1. Cover plate 2. Base

Anti-splintering device

⚠ CAUTION: The anti-splintering device cannot be used when making bevel cuts.

For splinter-free cuts, the anti-splintering device can be used. To install the anti-splintering device, move the tool base all the way forward and fit it from the bottom of tool base.

When you use the cover plate, install the anti-splintering device onto the cover plate.

► **Fig.12:** 1. Base 2. Anti-splintering device

Dust extraction

Optional accessory

The dust nozzle is recommended to perform clean cutting operations.

To attach the dust nozzle on the tool, insert the hook of dust nozzle into the hole in the base.

► **Fig.13:** 1. Dust nozzle 2. Base

To secure the dust nozzle, tighten the clamp screw at the front of the dust nozzle. The dust nozzle can be installed on either left or right side of the base.

► **Fig.14:** 1. Clamp screw

Then connect a Makita vacuum cleaner to the dust nozzle.

► **Fig.15:** 1. Dust nozzle 2. Hose for vacuum cleaner

OPERATION

⚠ CAUTION: Always hold the base flush with the workpiece. Failure to do so may cause jig saw blade breakage, resulting in a serious injury.

⚠ CAUTION: Advance the tool very slowly when cutting curves or scrolling. Forcing the tool may cause a slanted cutting surface and jig saw blade breakage.

Turn the tool on without the jig saw blade making any contact and wait until the jig saw blade attains full speed. Then rest the base flat on the workpiece and gently move the tool forward along the previously marked cutting line.

► **Fig.16:** 1. Cutting line 2. Base

Bevel cutting

⚠ CAUTION: Always be sure that the tool is switched off and the battery cartridge is removed before tilting the base.

With the base tilted, you can make bevel cuts at any angle between 0° and 45° (left or right).

► Fig.17

To tilt the base, loosen the bolt on the bottom of the base with the hex wrench. Move the base so that the bolt is positioned in the center of the bevel slot in the base.

► Fig.18: 1. Hex wrench 2. Bolt 3. Base

Tilt the base until the desired bevel angle is obtained. The V-notch of the gear housing indicates the bevel angle by graduations. Then tighten the bolt firmly to secure the base.

► Fig.19: 1. Bevel slot 2. Base 3. Bolt 4. Graduations 5. V-notch 6. Gear housing

Front flush cuts

Loosen the bolt on the bottom of the base with the hex wrench and slide the base all the way back. Then tighten the bolt to secure the base.

► Fig.20: 1. Hex wrench 2. Bolt 3. Base

Cutouts

Cutouts can be made with either of two methods: "Boring a starting hole" or "Plunge cutting".

Boring a starting hole

For internal cutouts without a lead-in cut from an edge, pre-drill a starting hole 12 mm or more in diameter. Insert the jig saw blade into this hole to start your cut.

► Fig.21

Plunge cutting

You need not bore a starting hole or make a lead-in cut if you carefully do as follows.

► Fig.22

1. Tilt the tool up on the front edge of the base with the jig saw blade point positioned just above the workpiece surface.
2. Apply pressure to the tool so that the front edge of the base will not move when you switch on the tool and gently lower the back end of the tool slowly.
3. As the jig saw blade pierces the workpiece, slowly lower the base of the tool down onto the workpiece surface.
4. Complete the cut in the normal manner.

Finishing edges

To trim edges or make dimensional adjustments, run the jig saw blade lightly along the cut edges.

► Fig.23

Metal cutting

Always use a suitable coolant (cutting oil) when cutting metal. Failure to do so will cause significant jig saw blade wear. The underside of the workpiece can be greased instead of using a coolant.

Rip fence

Optional accessory

⚠ CAUTION: Always be sure that the tool is switched off and the battery cartridge is removed before installing or removing accessories.

Straight cuts

When repeatedly cutting widths of 160 mm or less, use of the rip fence will assure fast, clean, straight cuts.

► Fig.24: 1. Rip fence (Guide rule)

To install, insert the rip fence into the rectangular hole on the side of the base with the fence guide facing down. Slide the rip fence to the desired cutting width position, then tighten the bolt to secure it.

► Fig.25: 1. Hex wrench 2. Bolt 3. Fence guide 4. Rip fence (Guide rule)

Circular cuts

When cutting circles or arcs of 170 mm or less in radius, install the rip fence as follows.

► Fig.26: 1. Rip fence (Guide rule)

⚠ CAUTION: Do not touch the tip of the circular guide pin. The sharp tip of the circular guide pin can cause injury.

1. Insert the rip fence into the rectangular hole on the side of the base with the fence guide facing up.
2. Insert the circular guide pin through either of the two holes on the fence guide. Screw the threaded knob onto the circular guide pin to secure the circular guide pin.
► Fig.27: 1. Threaded knob 2. Fence guide 3. Rip fence (Guide rule) 4. Circular guide pin 5. Bolt
3. Slide the rip fence to the desired cutting radius, and tighten the bolt to secure it in place.

NOTE: Always use jig saw blades No. B-17, B-18, B-26 or B-27 when cutting circles or arcs.

Guide rail adapter set

Optional accessory

When cutting parallel and uniform width or cutting straight, the use of the guide rail and the guide rail adapter will assure the production of fast and clean cuts. To install the guide rail adapter, insert the rule bar into the square hole of the base as far as it goes. Secure the bolt with the hex wrench securely.

► Fig.28: 1. Hex wrench 2. Rule bar 3. Bolt

Insert the rule bar into the square hole of the guide rail adapter, and secure the screw firmly. Place the guide rail adapter on the guide rail.

► Fig.29: 1. Guide rail adapter 2. Guide rail 3. Screw

NOTICE: Always use jig saw blades No. B-8, B-13, B-16, B-17 or 58 when using the guide rail and the guide rail adapter.

MAINTENANCE

⚠ CAUTION: Always be sure that the tool is switched off and the battery cartridge is removed before attempting to perform inspection or maintenance.

NOTICE: Never use gasoline, benzine, thinner, alcohol or the like. Discoloration, deformation or cracks may result.

To maintain product SAFETY and RELIABILITY, repairs, any other maintenance or adjustment should be performed by Makita Authorized or Factory Service Centers, always using Makita replacement parts.

OPTIONAL ACCESSORIES

⚠ CAUTION: These accessories or attachments are recommended for use with your Makita tool specified in this manual. The use of any other accessories or attachments might present a risk of injury to persons. Only use accessory or attachment for its stated purpose.

If you need any assistance for more details regarding these accessories, ask your local Makita Service Center.

- Jig saw blades
- Hex wrench 4
- Rip fence (guide rule) set
- Guide rail adapter set
- Guide rail set
- Anti-splintering device
- Cover plate
- Dust nozzle assy
- Makita genuine battery and charger

NOTE: Some items in the list may be included in the tool package as standard accessories. They may differ from country to country.

SPECIFIKATIONER

Modell:		JV001G
Slaglängd		26 mm
Slag per minut		800 - 3 500 min ⁻¹
Typ av sågblad		Typ B
Max. kapningskapacitet	Trä	135 mm
	Mjukt stål	10 mm
	Aluminium	20 mm
Total längd (med BL4025)		283 mm
Märkspänning		36 V - 40 V likström max
Nettovikt		2,6 - 2,9 kg

- På grund av vårt pågående program för forskning och utveckling kan dessa specifikationer ändras utan föregående meddelande.
- Specifikationer kan variera mellan olika länder.
- Vikten kan variera beroende på tillbehören, inklusive batterikassett. Den lättaste och den tyngsta kombinationen enligt EPTA-procedur 01/2014 visas i tabellen.

Tillgänglig batterikassett och laddare

Batterikassett	BL4020 / BL4025 / BL4040
Laddare	DC40RA / DC40RB / DC40RC

- Vissa av batterikassetterna och laddarna på listan ovan kanske inte finns tillgängliga i din region.

⚠ VARNING: Använd endast batterikassetter och laddare från listan ovan. Användning av andra batterikassetter och laddare kan orsaka personskada och/eller brand.

Avsedd användning

Verktyget är avsett för sågning i trä, plast och metallmaterial.

Buller

Den normala bullernivån för A-belastning är bestämd enligt EN62841-2-11:

Ljudtrycksnivå (L_{pA}): 87 dB (A)

Ljudeffektnivå (L_{WA}): 98 dB (A)

Måttolerans (K): 3 dB (A)

OBS: Det deklarerade bullervärdet har uppmätts i enlighet med standardtestmetoden och kan användas för jämförandet av en maskin med en annan.

OBS: Det deklarerade bulleremissionsvärdet kan också användas i en preliminär bedömning av exponering för vibration.

⚠ VARNING: Använd hörselskydd.

⚠ VARNING: Bulleremissionen under faktisk användning av maskinen kan skilja sig från det deklarerade värdet, beroende på hur maskinen används och särskilt vilken typ av arbetsstycke som behandlas.

⚠ VARNING: Var noga med att identifiera säkerhetsåtgärder för att skydda användaren, vilka är grundade på en uppskattning av graden av exponering för vibrationer under de faktiska användningsförhållandena, (ta, förutom avtryckartiden, med alla delar av användarcykeln i beräkningen, som till exempel tiden då maskinen är avstängd och när den går på tomgång).

Vibration

Det totala vibrationsvärdet (treaxlad vektorsumma) bestämt enligt EN62841-2-11:

Arbetsläge: skivsågning

Vibrationsemission ($a_{h,B}$): 4,6 m/s²

Måttolerans (K): 2,5 m/s²

Arbetsläge: sågning av metallplåt

Vibrationsemission ($a_{h,M}$): 4,8 m/s²

Måttolerans (K): 1,5 m/s²

OBS: Det deklarerade totala vibrationsvärdet har uppmätts i enlighet med standardtestmetoden och kan användas för jämförandet av en maskin med en annan.

OBS: Det deklarerade totala vibrationsvärdet kan också användas i en preliminär bedömning av exponering för vibration.

⚠ VARNING: Vibrationsemissionen under faktisk användning av maskinen kan skilja sig från det deklarerade värdet, beroende på hur maskinen används och särskilt vilken typ av arbetsstycke som behandlas.

⚠ VARNING: Var noga med att identifiera säkerhetsåtgärder för att skydda användaren, vilka är grundade på en uppskattning av graden av exponering för vibrationer under de faktiska användningsförhållandena, (ta, förutom avtryckartiden, med alla delar av användarcykeln i beräkningen, som till exempel tiden då maskinen är avstängd och när den går på tomgång).

Försäkran om överensstämmelse

Gäller endast inom EU

Försäkran om överensstämmelse ingår i bilaga A till denna bruksanvisning.

SÄKERHETSVARNINGAR

Allmänna säkerhetsvarningar för maskiner

⚠ VARNING Läs alla säkerhetsvarningar, instruktioner, illustrationer och specifikationer som medföljer detta elverktyg. Underlåtenhet att följa alla instruktioner nedan kan leda till elstötar, brand och/eller allvarliga personskador.

Spara alla varningar och instruktioner för framtida referens.

Termen "maskin" som anges i varningarna hänvisar till din eldrivna maskin (sladdansluten) eller batteridrivna maskin (sladdlös).

Säkerhetsvarningar för batteridrivna sticksåg

1. Håll maskinen i de isolerade handtagen om det finns risk för att sågverket kan komma i kontakt med en dold elkabel. Om sågverket kommer i kontakt med en strömförande ledning blir maskinen blottlagda metalldelar strömförande och kan ge användaren en elektrisk stöt.
2. Använd tvingar eller liknande för att säkra och stödja arbetsstycket på ett stabilt underlag. Att hålla arbetsstycket i händerna eller mot kroppen ger inte tillräckligt stöd, och du riskerar då att förlora kontrollen.
3. Använd alltid skyddsglasögon. Vanliga glasögon och solglasögon är INTE skyddsglasögon.

4. Undvik att säga i spik. Ta bort alla spikar i arbetsstycket innan du säger.
5. Säg inte för stora arbetsstycken.
6. Kontrollera att det finns tillräckligt med fritt utrymme runt arbetsstycket innan sågningen påbörjas så att sticksågbladet inte slår emot golvet, arbetsbänken osv.
7. Håll verktyget i ett fast grepp.
8. Se till att sticksågbladet inte är i kontakt med arbetsstycket innan du trycker på avtryckaren.
9. Håll händerna borta från rörliga delar.
10. Lämna inte maskinen igång. Använd endast maskinen när du håller den i händerna.
11. Stäng alltid av verktyget och vänta tills sticksågbladet stannat helt innan sticksågbladet avlägsnas från arbetsstycket.
12. Rör inte vid sticksågbladet eller arbetsstycket omedelbart efter avslutad arbete, då de kan vara mycket heta och ge brännskador.
13. Använd inte maskinen obelastad i onödan.
14. Vissa material kan innehålla giftiga kemikalier. Se till att du inte andas in damm eller får det på huden. Följ anvisningarna i leverantörens materialsäkerhetsblad.
15. Använd alltid andningsskydd eller skyddsmask anpassat för det material du arbetar med när du säger.

SPARA DESSA ANVISNINGAR.

⚠ VARNING: GLÖM INTE att också fortsättningsvis strikt följa säkerhetsanvisningarna för maskinen även efter att du blivit van att använda den. Vid FELAKTIG HANTERING av maskinen eller om inte säkerhetsanvisningarna i denna bruksanvisning följs kan följden bli allvarliga personskador.

Viktiga säkerhetsanvisningar för batterikassetten

1. Innan batterikassetten används ska alla instruktioner och varningsmärken på (1) batteriladdaren, (2) batteriet och (3) produkten läsas.
2. Montera inte isär eller mixtra med batterikassetten. Det kan leda till brand, överdriven värme eller explosion.
3. Om drifttiden blivit avsevärt kortare ska användningen avbrytas omedelbart. Det kan uppstå överhettning, brännskador och t o m en explosion.
4. Om du får elektrolyt i ögonen ska de sköljas med rent vatten och läkare uppsöks omedelbart. Det finns risk för att synen förloras.
5. Kortslut inte batterikassetten.
 - (1) Rör inte vid polerna med något strömförande material.
 - (2) Undvik att förvara batterikassetten tillsammans med andra metallobjekt som t.ex. spikar, mynt o.s.v.
 - (3) Skydda batteriet mot vatten och regn. En batterikortslutning kan orsaka ett stort strömflöde, överhettning, brand och maskinhaveri.

6. Förvara och använd inte verktyget och batterikassetten på platser där temperaturen kan nå eller överstiga 50 °C.
7. Bränn inte upp batterikassetten även om den är svårt skadad eller helt utsliten. Batterikassetten kan explodera i öppen eld.
8. Spika inte i, krossa, kasta, tappa eller slå batterikassetten mot hårda föremål. Dyliga handlingar kan leda till brand, överdriven värme eller explosion.
9. Använd inte ett skadat batteri.
10. De medföljande litiumjonbatterierna är föremål för kraven i gällande lagstiftning för farligt gods.
För kommersiella transporter (av t.ex. tredje parter som speditorsfirmor) måste de särskilda transportkrav som anges på emballaget och etiketter iakttas.
För att förbereda den produkt som ska avsändas krävs att du konsulterar en expert på riskmaterial. Var också uppmärksam på att det i ditt land kan finnas ytterligare föreskrifter att följa.
Tejpa över eller maskera blottade kontakter och packa batteriet på sådant sätt att det inte kan röra sig fritt i förpackningen.
11. När batterikassetten ska kasseras måste den tas bort från maskinen och kasseras på ett säkert sätt. Följ lokala föreskrifter beträffande avfallshantering av batteriet.
12. Använd endast batterierna med de produkter som specificerats av Makita. Att använda batterierna med ej godkända produkter kan leda till brand, överdriven värme, explosion eller utläckande elektrolyt.
13. Om maskinen inte används under en lång tid måste batteriet tas bort från maskinen.
14. Under och efter användning kan batterikassetten bli het vilket kan orsaka brännskador eller lättare brännskador. Var uppmärksam på hur du hanterar varma batterikassetter.
15. Vidrör inte verktygets kontakter direkt efter användning eftersom de kan bli heta och orsaka brännskador.
16. Låt inte flisor, damm eller smuts fastna i kontaktarna, i hål eller spår i batterikassetten. Det kan leda till att verktyget eller batterikassetten värms upp, fattar eld, går sönder eller inte fungerar som de ska, vilket kan orsaka brännskador eller personskadorna.
17. Såvida inte verktyget stöder arbeten i närheten av högspänningsledningar får batterikassetten inte användas i närheten av en högspänningsledning. Det kan leda till att verktyget eller batterikassetten går sönder eller inte fungerar korrekt.
18. Förvara batteriet utom räckhåll för barn.

SPARA DESSA ANVISNINGAR.

⚠FÖRSIKTIGT: Använda endast äkta Makita-batterier. Användning av oäkta Makita-batterier eller batterier som har manipulerats kan leda till person- och utrustningsskador eller till att batteriet fattar eld. Det upphäver också Makitas garanti för verktyget och laddaren.

Tips för att uppnå batteriets maximala livslängd

1. Ladda batterikassetten innan den är helt urladdad. Stanna alltid maskinen och ladda batterikassetten när du märker att maskinen blir svagare.
2. Ladda aldrig en fulladdad batterikasset. Överladdning förkortar batteriets livslängd.
3. Ladda batterikassetten vid en rumstemperatur på 10 °C - 40 °C. Låt en varm batterikasset svalna innan den laddas.
4. När batterikassetten inte används ska den tas bort från verktyget eller laddaren.
5. Ladda batterikassetten om du inte har använt den på länge (mer än sex månader).

FUNKTIONSBE- SKRIVNING

⚠FÖRSIKTIGT: Se alltid till att maskinen är avstängd och batterikassetten borttagen innan du justerar maskinen eller kontrollerar dess funktioner.

Montera eller demontera batterikassetten

⚠FÖRSIKTIGT: Stäng alltid av maskinen innan du monterar eller tar bort batterikassetten.

⚠FÖRSIKTIGT: Håll stadigt i maskinen och batterikassetten när du monterar eller tar bort batterikassetten. I annat fall kan det leda till att de glider ur dina händer och orsakar skada på maskinen och batterikassetten samt personskada.

► Fig.1: 1. Röd indikator 2. Knapp 3. Batterikasset

Ta bort batterikassetten genom att skjuta ner knappen på kassetten framsida samtidigt som du drar ut batterikassetten.

Sätt i batterikassetten genom att rikta in tungan på batterikassetten mot spåret i höljet och skjut den på plats. Tryck in batterikassetten ordentligt tills den låser fast med ett klick. Om du kan se den röda indikatorn som bilden visar är den inte låst ordentligt.

⚠FÖRSIKTIGT: Sätt alltid i batterikassetten helt tills den röda indikatorn inte längre syns. I annat fall kan den oväntat falla ur verktyget och skada dig eller någon annan.

⚠FÖRSIKTIGT: Montera inte batterikassetten med våld. Om kassetten inte lätt glider på plats är den felinsatt.

Indikerar kvarvarande batterikapacitet

Tryck på kontrollknappen på batterikassetten för att se kvarvarande batterikapacitet. Indikatorlamporna lyser i ett par sekunder.

► **Fig.2:** 1. Indikatorlampor 2. Kontrollknapp

Indikatorlampor			Kvarvarande kapacitet
Upplyst	Av	Blinkar	
■ ■ ■ ■	□ □ □ □	▬ ▬ ▬ ▬	75% till 100%
■ ■ ■ □	□ □ □ □	▬ ▬ ▬ ▬	50% till 75%
■ ■ □ □	□ □ □ □	▬ ▬ ▬ ▬	25% till 50%
■ □ □ □	□ □ □ □	▬ ▬ ▬ ▬	0% till 25%
▬ □ □ □	□ □ □ □	▬ ▬ ▬ ▬	Ladda batteriet.
■ ■ □ □	□ □ □ □	▬ ▬ ▬ ▬	Batteriet kan ha skadats.
□ □ ■ ■	□ □ □ □	▬ ▬ ▬ ▬	

OBS: Beroende på användningsförhållanden och den omgivande temperaturen kan indikationen skilja sig lätt från den faktiska batterikapaciteten.

OBS: Den första (längst till vänster) indikatorlampan kommer att blinka när batteriskyddssystemet fungerar.

Skyddssystem för maskinen/ batteriet

Verktyget är utrustat med ett skyddssystem för verktyget/batteriet. Detta system bryter automatiskt strömmen till motorn för att förlänga verktygets och batteriets livslängd. Verktyget stoppar automatiskt under användningen om verktyget eller batteriet hamnar i en av följande situationer:

Överbelastningsskydd

Om batteriet används på ett sätt som gör att det drar onormalt mycket ström kan det stoppas automatiskt utan någon varning. När detta sker stänger du av verktyget och upphör med arbetet som gjorde att verktyget överbelastades. Starta därefter verktyget igen.

Överhettningsskydd

När verktyget eller batteriet överhettas stoppas det automatiskt och lampan börjar blinka. I sådant fall ska du låta verktyget och batteriet svalna innan du startar verktyget igen.

Överurladdningsskydd

När batteriets kapacitet är otillräcklig stoppar maskinen automatiskt. I sådant fall ska batteriet tas ur maskinen och laddas.

Skydd mot andra orsaker

Skyddssystemet är också utvecklat för att hantera andra orsaker som skulle kunna skada verktyget och tillåter verktyget att stanna automatiskt. Ta följande steg för att åtgärda felen när verktyget stannat temporärt eller helt.

1. Stäng av verktyget och starta sedan upp den igen för att starta om.
2. Laddning av batteriet/batterierna och ersätt det/ dem med laddade batteri(er).
3. Låt verktyget och batteri(erna) svalna.

Om ingen förbättring kan hittas genom att återställa skyddssystemet, kontakta ditt lokala Makita Service Center.

Val av sågfunktion

Verktyget kan användas i en pendlande eller en rak sågrörelse (uppåt och nedåt). Vid den pendlande sågrörelsen kastas sticksågbladet framåt vilket ökar såghastigheten.

► **Fig.3:** 1. Omkopplingsreglage för sågfunktion

Ändra sågfunktionen genom att vrida omkopplingsreglaget för sågfunktion till önskat sågfunktionsläge. Se tabellen för val av passande sågfunktion.

Läge	Sågfunktion	Användningsområde
0	Rak sågrörelse	För sågning i mjukt stål, rostfritt stål och plast. För rena sågningar i trä och plywood.
I	Sågning i en liten cirkel	För sågning i mjukt stål, aluminium och hårt trä.
II	Sågning i en medelstor cirkel	För sågning i trä och plywood. För snabb sågning i aluminium och mjukt stål.
III	Sågning i en stor cirkel	För snabb sågning i trä och plywood.

Tända frontlampan

⚠ FÖRSIKTIGT: Titta inte in i ljuset eller direkt i ljuskällan.

Tryck på låsokopplaren för att tända lampan. Tryck på låsokopplaren igen för att släcka lampan.

► **Fig.4:** 1. Låsokopplare 2. Lampa

OBSERVERA: Lampan blinkar när verktyget är överhettat. Låt verktyget svalna fullständigt innan det används igen.

OBS: Använd en torr trasa för att torka bort smuts från lampglaset. Var försiktig så att inte lampglaset repas eftersom ljuset då kan bli svagare.

Avtryckarens funktion

Tryck på låsokopplaren för att slå på verktyget. Verktyget slås på i standbyläge. Tryck på PÅ/standbyomkopplaren för att starta verktyget i standbyläge. Tryck på PÅ/standbyomkopplaren igen för att stoppa verktyget. Verktyget slås på i standbyläge. Tryck på låsokopplaren i standbyläge för att stänga av verktyget.

► **Fig. 5:** 1. Låsokopplare 2. PÅ/standbyomkopplare

OBS: Om maskinen lämnas i 10 sekunder utan några åtgärder i standbyläge, stängs maskinen automatiskt av och lampan släcks.

OBS: Du kan även stoppa och stänga av verktyget genom att trycka på låsokopplaren när verktyget används.

Minska lampans ljusstyrka genom att hålla låsokopplaren intryckt samtidigt som du slår på verktyget i standbyläge. Cirka 1 sekund efter det att du börjat trycka på låsokopplaren kommer lampans ljusstyrka att börja minska. Släpp låsokopplaren när du nått önskad ljusstyrka. Verktyget övergår då även till standbyläge. Cirka 3 sekunder efter det att du börjat trycka på låsokopplaren har lampans ljusstyrka minimerats och ändras inte efter det.

OBS: Lampans ljusstyrka kan inte ändras när verktyget är i standbyläge. Stäng av verktyget för att minska lampans ljusstyrka.

OBS: Det finns ingen minnesfunktion för lampans ljusstyrka. Om du stänger av lampan och slår på den igen maximeras lampans ljusstyrka varje gång.

Ratt för hastighetsinställning

► **Fig. 6:** 1. Ratt för hastighetsinställning

Verktøjshastigheten kan ställas in genom att vrida på ratten för hastighetsinställning. Hastigheten blir högst vid 6 och lägst vid 1.

Se tabellen för att välja rätt hastighet för det arbetsstycke som skall sågas. Lämplig hastighet kan dock variera beroende på arbetsstyckets tjocklek. Generellt sett kan du med en högre hastighet såga stycken snabbare, men livslängden för sticksågbladet minskar.

Arbetsstycke	Nummer
Trä	4 - 6
Mjukt stål	3 - 6
Rostfritt stål	3 - 4
Aluminium	3 - 6
Plast	1 - 4

OBSERVERA: Ratten för hastighetsinställning kan endast vridas upp till 6 och tillbaka till 1. Tvinga den inte förbi 6 eller 1, eftersom hastighetsinställningen då kan sättas ur funktion.

Elektronisk funktion

Maskinen är utrustad med elektroniska funktioner för enkel användning.

Mjukstart

Mjukstartsfunktionen minimerar ryck vid uppstarten och gör att verktyget startar smidigt.

Konstant hastighetskontroll

Elektronisk hastighetskontroll för att er hålla konstant hastighet. Det är möjligt att få en fin finish eftersom rotationshastigheten hålls konstant även vid belastning.

Mjuk rotation utan last

När ratten för hastighetsinställning står på "3" eller högre minskar verktyget automatiskt hastigheten när verktyget körs utan belastning för att minska vibrationerna och enklare passa in sticksågbladet med såglinjen. När verktyget börjar såga i arbetsstycket ökar verktyget hastigheten till inställd hastighet.

OBS: När temperaturen är låg kanske denna funktion inte är tillgänglig. Den här funktionen kanske inte är tillgänglig beroende på typen av material.

OBS: Stäng av verktyget och slå sedan på det igen om hastigheten inte minskar efter sågningen i arbetsstycket.

Inaktivera eller aktivera funktionen mjuk rotation utan last

För att inaktivera eller aktivera funktionen mjuk rotation utan last, följ stegen nedan.

1. Se till att verktyget är avstängt.
2. Ställ in ratten för hastighetsinställning på "1".
3. Tryck på låsokopplaren för att slå på verktyget.
4. Vrid ratten för hastighetsinställning till "6" och sedan tillbaka till "1".

Lampnan blinkar två gånger när funktionen mjuk rotation utan last inaktiveras eller aktiveras. Utför samma procedur igen för att aktivera eller inaktivera funktionen igen.

OBS: Om funktionen mjuk rotation utan last är inaktiverad blinkar lampnan två gånger när verktyget slås på.

OBS: Du kan även inaktivera eller aktivera funktionen mjuk rotation utan last genom att ändra ratten för hastighetsinställning från "6" till "1" till "6".

Elektronisk broms

Detta verktyg är försett med en elektronisk broms. Om verktyget inte stannar snabbt efter att avtryckaren släppts, behöver verktyget servas på ett Makita servicecenter.

MONTERING

⚠ FÖRSIKTIGT: Se alltid till att maskinen är avstängd och batterikassetten borttagen innan du underhåller maskinen.

Montering eller demontering av sticksågblad

⚠ FÖRSIKTIGT: Ta alltid bort spån och annat främmande material som sitter fast på sticksågbladet och/eller bladhållaren. Om du inte gör det kan det hända att sticksågbladet inte dras åt ordentligt med allvarliga personskador som följd.

⚠ FÖRSIKTIGT: Rör inte sticksågbladet eller arbetsstycket direkt efter avslutat arbete. De kan vara extremt varma och orsaka brännskador.

⚠ FÖRSIKTIGT: Fäst alltid sticksågbladet ordentligt. Om sticksågbladet inte fästs ordentligt kan det brytas av eller leda till allvarliga personskador.

⚠ FÖRSIKTIGT: Var försiktig när du tar bort sticksågbladet så att du inte skadar dina fingrar på sticksågbladets yttersta del eller arbetsstyckets spets.

Se till att sticksågbladklämmans spak står i frigjort läge innan sticksågbladet monteras.

Montera sticksågbladet genom att föra in det (sågtänderna riktade framåt) i hållaren för sticksågbladet tills det låser fast. Sticksågbladklämmans spak flyttar sig till sitt låsta läge och låser fast sticksågbladet. Se till att sticksågbladets bakre kant passas in i rullen. Dra i sticksågbladet försiktigt för att kontrollera att det inte ramlar ur under användning.

- **Fig. 7:** 1. Sticksågbladklämmans spak (låst läge)
2. Sticksågbladklämmans spak (olåst läge)

- **Fig. 8:** 1. Bladhållare på sticksågblad
2. Sticksågbladklämmans spak (olåst läge)
3. Sticksågblad 4. Rulle

⚠ FÖRSIKTIGT: Öppna inte verktygsöppnaren för mycket, eftersom det kan orsaka skada på verktyget.

Ta bort sticksågbladet genom att öppna verktygsöppnaren framåt så långt det går. Då frigörs sticksågbladet.

- **Fig. 9:** 1. Bladhållare på sticksågblad
2. Verktygsöppnare 3. Sticksågblad

OBS: Om det är svårt att ta bort sticksågbladet:

Ändra omkopplingsreglaget för sågfunktion till läget "III" och slå kortvarigt på verktyget flera gånger så att hållaren för sticksågbladet flyttas till botten.

Se till att sticksågbladklämmans spak är i det låsta läget när du slår på verktyget.

Ta bort batterikassetten från verktyget innan du installerar eller tar bort sticksågbladet.

OBS: Smörj stödrollen då och då.

Förvaring av insexnyckel

Förvara insexnyckeln enligt figuren när den inte används så att du alltid har den till hands.

- **Fig. 10:** 1. Bottenplatta 2. Insexnyckel

Skyddsplatta

Använd skyddsplattan vid sågning av dekorationsfanér, plastmaterial etc. Plattan gör att känsliga eller ömtåliga ytor skyddas mot yttre skador. Passa in den på verktygets bottenplatta.

- **Fig. 11:** 1. Skyddsplatta 2. Bottenplatta

Flisningskydd

⚠ FÖRSIKTIGT: Flisningskyddet kan inte användas vid vinkelsågning.

Flisningskyddet kan användas för flisfri sågning. Montera flisningskyddet genom att föra verktygets bottenplatta hela vägen framåt och sedan passa in det på bottenplattans undersida.

Om du använder skyddsplattan ska flisningskyddet monteras på skyddsplattan.

- **Fig. 12:** 1. Bottenplatta 2. Flisningskydd

Dammuppsugning

Valfria tillbehör

Dammunstycket rekommenderas för att utföra ett rent sågningsarbete.

Sätt fast dammunstycket på verktyget genom att föra in dammunstyckets krok i hålet på bottenplattan.

- **Fig. 13:** 1. Dammunestycke 2. Bottenplatta

Dra åt klämskraven på dammunstyckets framsida för att fästa dammunstycket. Dammunstycket kan monteras antingen på vänster eller höger sida av bottenplattan.

- **Fig. 14:** 1. Klämskrav

Anslut sedan en Makita-dammsugare till dammunstycket.

- **Fig. 15:** 1. Dammunestycke 2. Slang för dammsugare

ANVÄNDNING

⚠ FÖRSIKTIGT: Håll alltid bottenplattan plant mot arbetsstycket. I annat fall kan sticksågbladet brytas av och ge upphov till allvarliga personskador.

⚠ FÖRSIKTIGT: För maskinen mycket långsamt framåt vid kurv- eller spiralsågning. Tvinga aldrig maskinen eftersom detta kan leda till att sågytan blir sned och att sticksågbladet bryts av.

Slå på verktyget utan att sticksågbladet vidrör arbetsstycket och vänta tills sticksågbladet uppnår full hastighet. Vila sedan bottenplattan plant mot arbetsstycket, och för verktyget långsamt framåt längs den i förväg utmärkta såglinjen.

- **Fig. 16:** 1. Såglinje 2. Bottenplatta

Vinkelsågning

⚠ FÖRSIKTIGT: Se alltid till att maskinen är avstängd och att batterikassetten är urtagen innan bottenplattan lutats åt sidan.

Med bottenplattan lutad åt sidan kan du utföra vinkelsågning vid valfri vinkel mellan 0° och 45° (vänster eller höger).

► Fig.17

Luta bottenplattan genom att lossa bulten på bottenplattans undersida med insexnyckeln. Flytta bottenplattan så att bulten är placerad i mitten av vinkelspåret i bottenplattan.

► Fig.18: 1. Insexnyckel 2. Skruv 3. Bottenplatta

Luta bottenplattan tills önskad vinkel för vinkelsågning uppnås. V-skåran i växelhuset indikerar vinkeln mot graderingen. Dra sedan åt bulten ordentligt för att fästa bottenplattan.

► Fig.19: 1. Vinkelspår 2. Bottenplatta 3. Bult
4. Gradering 5. V-skåra 6. Växelhus

Sågning mot vägg

Lossa bulten på bottenplattans undersida med insexnyckeln, och skjut sedan bottenplattan helt bakåt. Dra sedan åt bulten för att fästa bottenplattan.

► Fig.20: 1. Insexnyckel 2. Bult 3. Bottenplatta

Utsågning

Utsågning kan utföras med endera av två metoder: "Borra ett starthål" eller "Hålsågning".

Borra ett starthål

Förborra ett starthål på minst 12 mm i diameter för att göra en utsågning utan att behöva såga in från kanten av arbetsstycket. Sätt i sticksågbladet i hålet och genomför utsågningen.

► Fig.21

Hålsågning

Du behöver inte förborra ett hål eller såga dig in från kanten om du försiktigt gör enligt följande:

► Fig.22

1. Luta maskinen framåt mot bottenplattans framkant med sticksågbladets spets i position rakt ovanför arbetsstyckets yta.
2. Tryck mot maskinen så att bottenplattans framkant inte rör sig när maskinen sätts på, och sänk maskinens bakända långsamt och försiktigt.
3. Sänk sakta maskinens bottenplatta mot arbetsstyckets yta när sticksågbladet börjar såga igenom arbetsstycket.
4. Genomför sågningen på vanligt sätt.

Tilljämning av kanter

Låt sticksågbladet lätt följa kanterna för att jämna till dem eller för att göra smärre justeringar av arbetsstyckets storlek.

► Fig.23

Metallsågning

Använd alltid en lämplig kylvätska (sågolja) vid metallsågning. I annat fall kommer sticksågbladet att slitas kraftigt. Istället för att använda ett kylmedel kan arbetsskyckets undersida fettas in.

Parallellanslag

Valfria tillbehör

⚠ FÖRSIKTIGT: Se alltid till att maskinen är avstängd och att batterikassetten är urtagen innan tillbehör monteras eller tas bort.

Rak sågning

Ett parallellanslag kan användas vid upprepad sågning av arbetsstycken som är 160 mm breda eller smalare för att få snabb, ren och rak sågning.

► Fig.24: 1. Parallellanslag (anslagsskena)

Montera parallellanslaget genom att föra in det i det fyrkantiga hålet på bottenplattans sida med anslagets mothåll riktat nedåt. Skjut parallellanslaget till den önskade sågbredden, och fäst det sedan i läge genom att dra åt skruven.

► Fig.25: 1. Insexnyckel 2. Skruv 3. Anslagets mothåll
4. Parallellanslag (anslagsskena)

Cirkelsågning

Montera parallellanslaget enligt nedan vid sågning av cirklar eller bågar med en radie på 170 mm eller mindre.

► Fig.26: 1. Parallellanslag (anslagsskena)

⚠ FÖRSIKTIGT: Rör inte vid spetsen på cirkelanslaget. Den vassa spetsen på cirkelanslaget kan orsaka personskada.

1. För in parallellanslaget i det fyrkantiga hålet på bottenplattans sida med anslagets mothåll riktat uppåt.
2. För in cirkelanslaget genom det ena av de två hålen i anslagets mothåll. Skruva på den gängade knoppen på cirkelanslaget för att fästa cirkelanslaget.
► Fig.27: 1. Gängad knapp 2. Anslagets mothåll 3. Parallellanslag (anslagsskena)
4. Cirkelanslag 5. Bult
3. Skjut parallellanslaget till den önskade sågradien, och fäst det på plats genom att dra åt bulten.

OBS: Använd alltid sticksågblad B-17, B-18, B-26 eller B-27 vid sågning i cirkel eller båge.

Adaptersats för styrskena

Extra tillbehör

Vid sågning av material som ska vara parallella och med samma bredd, eller vid sågning av raka linjer, kan styrskenan och adaptern för styrskenan säkerställa snabba och rena sågarbeten. Montera adapter för styrskena genom att föra in sidoanslaget i det fyrkantiga hålet i bottenplattan så långt det går. Dra åt skruven ordentligt med insexnyckeln.

► **Fig.28:** 1. Insexnyckel 2. Sidoanslag 3. Bult

För in sidoanslaget i det fyrkantiga hålet för adaptern för styrskenan. Montera adaptern för styrskenan på styrskenan.

► **Fig.29:** 1. Adapter för styrskena 2. Styrskena 3. Skruv

OBSERVERA: Använd alltid sticksågbladnummer B-8, B-13, B-16, B-17 eller 58 vid användning av styrskena och adapter för styrskena.

UNDERHÅLL

⚠ FÖRSIKTIGT: Se alltid till att maskinen är avstängd och batterikassetten borttagen innan inspektion eller underhåll utförs.

OBSERVERA: Använd inte bensin, förtunningsmedel, alkohol eller liknande. Missfärgning, deformation eller sprickor kan uppstå.

För att upprätthålla produktens SÄKERHET och TILLFÖRLITLIGHET bör allt underhålls- och justeringsarbete utföras av ett auktoriserat Makita servicecenter och med reservdelar från Makita.

VALFRIA TILLBEHÖR

⚠ FÖRSIKTIGT: Följande tillbehör eller tillsatser rekommenderas för användning med den Makita-maskin som denna bruksanvisning avser. Om andra tillbehör eller tillsatser används kan det uppstå risk för personskador. Använd endast tillbehören eller tillsatserna för de syften de är avsedda för.

Kontakta ditt lokala Makita servicecenter om du behöver ytterligare information om dessa tillbehör.

- Sticksågsblad
- Insexnyckel 4
- Parallellanslagssats (anslagsskena)
- Adaptersats för styrskena
- Sats för löpskena
- Flisningsskydd
- Skyddsplatta
- Dammunstycke
- Makitas originalbatteri och -laddare

OBS: Några av tillbehören i listan kan vara inkluderade i maskinpaketet som standardtillbehör. De kan variera mellan olika länder.

TEKNISKE DATA

Modell:		JV001G
Slaglengde		26 mm
Slag per minutt		800–3 500 min ⁻¹
Bladtype		B type
Maks. skjærekapasitet	Tre	135 mm
	Bløtt stål	10 mm
	Aluminium	20 mm
Samlet lengde (med BL4025)		283 mm
Merkespenning		DC 36 V – 40 V maks.
Nettovekt		2,6–2,9 kg

- På grunn av vårt kontinuerlige forsknings- og utviklingsprogram kan spesifikasjonene som oppgis i dette dokumentet endres uten varsel.
- Spesifikasjonene kan variere fra land til land.
- Vekten kan variere avhengig av tilbehøret/tilbehørene, inkludert batteriet. Den letteste og tyngste kombinasjonen, i henhold til EPTA-prosedyre 01/2014, vises i tabellen.

Passende batteri og lader

Batteriinnsats	BL4020 / BL4025 / BL4040
Lader	DC40RA / DC40RB / DC40RC

- Noen av batteriene og laderne som er opplistet ovenfor er kanskje ikke tilgjengelige, avhengig av hvor du bor.

⚠ ADVARSEL: Bruk kun de batteriene og laderne som er opplistet ovenfor. Bruk av andre batterier og ladere kan føre til personskader og/eller brann.

Riktig bruk

Verktøyet er laget for å sage i tre-, plast- og metallmaterialer.

Støy

Typisk A-vektet lydtryknivå er bestemt i henhold til EN62841-2-11:

Lydtryknivå (L_{pA}): 87 dB (A)

Lydeffektnivå (L_{WA}): 98 dB (A)

Usikkerhet (K): 3 dB (A)

MERK: Den/de oppgitte verdien(e) for genererte vibrasjoner har blitt målt i henhold til standard testmetoder, og kan bli brukt til å sammenligne ett verktøy med et annet.

MERK: Den/de angitte verdien(e) for de genererte vibrasjonene kan også brukes til en foreløpig vurdering av eksponeringen.

⚠ ADVARSEL: Bruk hørselsvern.

⚠ ADVARSEL: De genererte vibrasjonene ved faktisk bruk av elektroverktøyet kan avvike fra den/de angitte vibrasjonsverdien(e), avhengig av hvordan verktøyet brukes.

⚠ ADVARSEL: Sørg for å identifisere vernetiltak for å beskytte operatøren, som er basert på et estimat av eksponeringen under de faktiske bruksforholdene (idet det tas hensyn til alle deler av driftssyklusen, dvs. hvor lenge verktøyet er slått av, hvor lenge det går på tomgang og hvor lenge startbryteren faktisk holdes trykket).

Vibrasjoner

Den totale vibrasjonsverdien (triaksial vektorsum)

bestemt i henhold EN62841-2-11:

Arbeidsmodus: Skjærefjølør

Genererte vibrasjoner ($a_{h,B}$): 4,6 m/s²

Usikkerhet (K): 2,5 m/s²

Arbeidsmodus: Kutting av metallplater

Genererte vibrasjoner ($a_{h,M}$): 4,8 m/s²

Usikkerhet (K): 1,5 m/s²

MERK: Den/de oppgitte verdien(e) for totalt genererte vibrasjoner har blitt målt i henhold til standard testmetoder, og kan bli brukt til å sammenligne ett verktøy med et annet.

MERK: Den/de angitte verdien(e) for totalt genererte vibrasjoner kan også brukes til en foreløpig vurdering av eksponeringen.

⚠ ADVARSEL: De genererte vibrasjonene ved faktisk bruk av elektroverktøyet kan avvike fra den/de angitte vibrasjonsverdien(e), avhengig av hvordan verktøyet brukes og spesielt i forhold til arbeidsstykket som blir behandlet.

⚠ ADVARSEL: Sørg for å identifisere vernetiltak for å beskytte operatøren, som er basert på et estimat av eksponeringen under de faktiske bruksforholdene (idet det tas hensyn til alle deler av driftssyklusen, dvs. hvor lenge verktøyet er slått av, hvor lenge det går på tomgang og hvor lenge startbryteren faktisk holdes trykket).

Samsvarserklæringer

Gjelder kun for land i Europa

Samsvarserklæringene er lagt til som vedlegg A i denne bruksanvisningen.

SIKKERHETSADVARSEL

Generelle advarsler angående sikkerhet for elektroverktøy

⚠ ADVARSEL Les alle sikkerhetsadvarsler, instruksjoner, illustrasjoner og spesifikasjoner som følger med dette elektroverktøyet. Hvis ikke alle instruksjonene nedenfor følges, kan det føre til elektrisk støt, brann og/eller alvorlig personskade.

Oppbevar alle advarsler og instruksjoner for senere bruk.

Uttrykket «elektrisk verktøy» i advarslene refererer både til elektriske verktøy (med ledning) tilkoblet strømmenett, og batteridrevne verktøy (uten ledning).

Sikkerhetsanvisninger for batteridrevet stikksag

1. Hold maskinen i det isolerte håndtaket når skjæreverktøyet kan komme i kontakt med skjulte ledninger under arbeidet. Hvis kutteutstyret kommer i kontakt med «strømførende» ledninger, kan ikke isolerte metalldele i maskinen bli «strømførende», og vil kunne gi brukeren elektrisk støt.
2. Bruk tvinger, eller en annen praktisk måte for å sikre og støtte arbeidsstykket på en stabil plattform. Hvis du holder det med hånden eller mot kroppen, kan det være ustabil og føre til at du mister kontrollen.
3. Du må alltid bruke vernebriller eller ansiktsvern. Vanlige briller og solbriller er IKKE vernebriller.

4. Unngå å skjære i spiker. Se etter om det er spikre i arbeidsstykket, og fjern dem før du begynner arbeidet.
5. Ikke skjær for store arbeidsstykker.
6. Sjekk at det er plass nok rundt arbeidsstykket før du begynner sagingen, så ikke løvbladet treffer gulvet, arbeidsbenken e.l.
7. Hold godt fast i verktøyet.
8. Forviss deg om at løvbladet ikke er i kontakt med arbeidsstykket før du slår på bryteren.
9. Hold hendene unna bevegelige deler.
10. Ikke gå fra verktøyet mens det er i gang. Verktøyet må bare brukes mens operatøren holder det i hendene.
11. Før du fjerner løvbladet fra arbeidsstykket må du alltid slå av sagen og vente til løvbladet har stoppet helt.
12. Ikke ta i løvbladet eller arbeidsstykket rett etter saging. De kan være ekstremt varme, og du kan brenne deg.
13. Ikke bruk maskinen uten belastning hvis det ikke er nødvendig.
14. Enkelte materialer inneholder kjemikalier som kan være giftige. Vær nøye med å hindre hudkontakt og innånding av støv. Følg leverandørens sikkerhetsanvisninger.
15. Bruk alltid riktig støvmaske/pustemaske for materialet og bruksområdet du arbeider med.

TA VARE PÅ DISSE INSTRUKSENE.

⚠ ADVARSEL: IKKE LA hensynet til hva som er "behagelig" eller det faktum at du kjenner produktet godt (etter mange gangers bruk) gjøre deg mindre oppmerksom på sikkerhetsreglene for bruken av det aktuelle produktet. Ved MISBRUK eller hvis ikke sikkerhetsreglene i denne bruksanvisningen følges, kan det oppstå alvorlig personskade.

Viktige sikkerhetsanvisninger for batteriinnsetts

1. Før du begynner å bruke batteriet, må du lese alle anvisninger og forsiktighetsregler på (1) batteriladeren, (2) batteriet og (3) det produktet batteriet skal brukes i.
2. Ikke demonter eller tukle batteriet. Det kan føre til brann, overoppheting eller eksplosjon.
3. Hvis driftstiden er blitt vesentlig kortere, må du omgående slutte å bruke maskinen. Hvis ikke kan resultatet bli overoppheting, mulige forbrenninger eller til og med en eksplosjon.
4. Hvis du får elektrolytt i øynene, må du skylle dem med store mengder rennende vann og oppsøke lege med én gang. Denne typen uhell kan føre til varig blindhet.
5. Ikke kortslutt batteriet:
 - (1) De kan være ekstremt varme og du kan brenne deg.
 - (2) Ikke lagre batteriet i samme beholder som andre metallgjenstander, som for eksempel spiker, mynter osv.
 - (3) Ikke la batteriet komme i kontakt med vann eller regn.

En kortslutning av batteriet kan føre til et kraftig strømstøt, overoppvarming, mulige forbrenninger og til og med til at batteriet går i stykker.

- Ikke oppbevar og bruk verktøyet og batteriet på steder hvor temperaturen kan komme opp eller overskride 50 °C.
- Ikke sett fyr på batteriet, ikke engang om det er sterkt skadet eller helt utslitt. Batteriet kan eksplodere hvis det begynner å brenne.
- Du må ikke spikre, skjære, klemme, kaste eller miste batteriet, og heller ikke slå en hard gjenstand mot batteriet. En slik oppførsel kan føre til brann, overoppheting eller eksplosjon.
- Ikke bruk batterier som er skadet.
- Lithium-ion-batteriene som medfølger er gjenstand for krav om spesialavfall.
For kommersiell transport, f.eks av tredjeparter eller speditorer, må spesielle krav om pakking og merking følges.
Før varen blir sendt, må du forhøre deg med en ekspert på farlig materiale. Ta også hensyn til muligheten for mer detaljerte nasjonale bestemmelser.
Bruk teip eller maskeringsteip for å skjule åpne kontakter og pakk inn batteriet på en slik måte at den ikke kan bevege seg rundt i emballasjen.
- Når du kasserer batteriinnsetsen, må du ta den ut av verktøyet og avhende den på et sikkert sted. Følg lokale bestemmelser for avhengig av batterier.
- Bruk batteriene kun med produkter spesifisert av Makita. Montere batteriene i produkter som ikke er konforme kan føre til brann, overheting eller elektrolyttlekkasje.
- Hvis verktøyet ikke skal brukes over en lengre periode, må batteriet tas ut av verktøyet.
- Under og etter bruk kan batteriet bli varmt og før til brannskader. Vær forsiktig med håndteringen av varme batterier.
- Ikke berører terminalen på verktøyet rett etter bruk, da den kan bli varm og forårsake brannskader.
- Ikke la spon, støv eller jord sette seg fast i terminalene, hullene og sporene i batteriet. Det kan føre til at batteriet eller verktøyet blir overopphet, begynner å brenne, sprekker eller ikke fungerer som det skal, og forårsake brannskader eller personskade.
- Med mindre verktøyet støtter bruk nær en høyspent strømlinje, skal ikke batteriet brukes nær en høyspent strømlinje. Det kan føre til en funksjonsfeil eller at verktøyet eller batteriet slutter å fungere.
- Oppbevar batteriet utilgjengelig for barn.

TA VARE PÅ DISSE INSTRUKSENE.

⚠FORSIKTIG: Bruk kun originale Makita-batterier. Bruk av batterier som har endret seg, eller som ikke er originale Makita-batterier, kan føre til at batteriet sprekker og forårsaker brann, personskader og andre skader. Det vil også ugyldiggjøre garantien for Makita-verktøyet og -laderen.

Tips for å opprettholde maksimal batterilevetid

- Lad batteriinnsetsen før den er helt utladet. Stopp alltid driften av verktøyet og lad batteriinnsetsen når du merker at effekten reduseres.
- Lad aldri en batteriinnsets som er fulladet. Overopplading forkorter batteriets levetid.
- Lad batteriet i romtemperatur ved 10 °C - 40 °C. Et varmt batteri må kjøles ned før lading.
- Når batteriet ikke er bruk, skal det tas ut av verktøyet eller laderen.
- Lad batteriet hvis det ikke har vært brukt på en lang stund (over seks måneder).

FUNKSJONSBE- SKRIVELSE

⚠FORSIKTIG: Forviss deg alltid om at maskinen er slått av og batteriet tatt ut før du justerer maskinen eller kontrollerer dens mekaniske funksjoner.

Sette inn eller ta ut batteri

⚠FORSIKTIG: Slå alltid av verktøyet før du setter inn eller fjerner batteriet.

⚠FORSIKTIG: Hold verktøyet og batteripatronen i et fast grep når du monterer eller fjerner batteripatronen. Hvis du ikke holder verktøyet og batteripatronen godt fast, kan du miste grepet, og dette kan føre til skader på verktøyet og batteripatronen samt personskader.

► Fig. 1: 1. Rød indikator 2. Knapp 3. Batteriinnsets

For å ta ut batteriet må du skyve på knappen foran på batteriet og trekke det ut.

Når du skal sette inn batteriet, må du plassere tungen på batteriet på linje med sporet i huset og skyve batteriet på plass. Skyv det helt inn til det går i inngrep med et lite klikk. Hvis du kan se den røde indikatoren som vist i figuren, er det ikke helt låst.

⚠FORSIKTIG: Batteriet må alltid settes helt inn, så langt at den røde indikatoren ikke lenger er synlig. Hvis dette ikke gjøres, kan batteriet falle ut av verktøyet og skade deg eller andre som oppholder seg i nærheten.

⚠FORSIKTIG: Ikke bruk makt når du setter i batteriet. Hvis batteriet ikke glir lett inn, er det fordi det ikke settes inn på riktig måte.

Indikere gjenværende batterikapasitet

Trykk på sjekk-knappen på batteriet for vise gjenværende batterikapasitet. Indikatorlampene lyser i et par sekunder.

► **Fig.2:** 1. Indikatorlamper 2. Kontrollknapp

Indikatorlamper			Gjenværende batterinivå
Tent	Av	Blinker	
■	□	▬	75 % til 100 %
■ ■ ■ ■			50 % til 75 %
■ ■ □ □			25 % til 50 %
■ □ □ □			0 % til 25 %
▬ □ □ □			Lad batteriet.
■ ■ □ □			Batteriet kan ha en feil.
□ □ ■ ■	↑ ↓		

MERK: Det angitte nivået kan avvike noe fra den faktiske kapasiteten alt etter bruksforholdene og den omgivende temperaturen.

MERK: Den første (helt til venstre) indikatorlampen vil blinke når batterivernsystemet fungerer.

Batterivernsystem for verktøy/batteri

Verktøyet er utstyrt med et batterivernsystem for verktøy/batteri. Dette systemet kutter automatisk strømmen til motoren for å forlenge verktøyets og batteriets levetid. Verktøyet stopper automatisk under drift hvis verktøyet eller batteriet utsettes for en av følgende tilstander:

Overlastsikring

Når batteriet brukes på en måte som gjør at det bruker unormalt mye strøm, vil verktøyet stoppe, helt automatisk og uten forvarsel. I dette tilfellet må du slå av verktøyet og avslutte bruken som forårsaket at verktøyet ble overbelastet. Slå deretter verktøyet på for å starte det igjen.

Overopphetingsvern

Når verktøyet eller batteriet er overopphetet, stanser maskinen automatisk, og lampen blinker. I dette tilfellet, ta verktøyet og batteriet avkjøles før du starter verktøyet på nytt.

Overutladingsvern

Når det blir batterikapasiteten er utilstrekkelig, stopper verktøyet automatisk. I så fall fjerner du batteriet fra verktøyet og lader det.

Vern mot andre årsaker

Vernesystemet er også laget for beskyttelse av andre grunner som kan skade verktøyet og gjøre at det stanser automatisk. Ta alle de følgende forholdsreglene for å fjerne årsakene til at verktøyet har stanset midlertidig mens det er i drift.

1. Skru av verktøyet og sår skruer du verktøyet på igjen for å starte på nytt.
2. Lad opp batteriet/ene eller skift det/dem ut med oppladde batteri(er).
3. La både verktøyet og batteriet/ene kjøle seg ned.

Hvis det ikke blir noen bedring ved å gjenopprette vernesystemet, ta kontakt med det lokale Makita servicesenteret.

Velg skjærefunksjon

Dette verktøyet kan skjære i ring eller i rett linje (opp og ned). Den sirkulære sagebevegelsen skyver bladet forover og øker sagehastigheten.

► **Fig.3:** 1. Funksjonsvelgerspaken

For å endre skjærefunksjon må du dreie funksjonsvelgerspaken til posisjon for ønsket skjærefunksjon. Se tabellen for valg av riktig skjærefunksjon.

Posisjon	Skjærefunksjon	Bruksområde
0	Funksjonen skjæring i rett linje	For skjæring i bløtt stål, rustfritt stål og plast. For ren skjæring i tre og kryssfinér.
I	Skjæring i liten bane	For skjæring i bløtt stål, aluminium og hardt tre.
II	Skjæring i mellomstor bane	Skjæring i tre og kryssfinér. For rask skjæring i aluminium og mildt stål.
III	Skjæring i stor bane	For rask skjæring i tre og kryssfinér.

Tenne frontlampen

⚠FORSIKTIG: Ikke se inn i lyset eller se direkte på lyskilden.

Trykk på låsebryteren for å tenne lampen. Trykk på låsebryteren igjen for å slukke lampen.

► **Fig.4:** 1. Låsebryter 2. Lampe

OBS: Lampen blinker når verktøyet er overopphetet. Kjøl ned verktøyet helt før du bruker det igjen.

MERK: Bruk en tørr klut til å tørke støv osv. av lampelinsen. Vær forsiktig så det ikke blir riper i lampelinsen, da dette kan redusere lysstyrken.

Bryterfunksjon

Slå på verktøyet ved å trykke på låsebryteren. Verktøyet går i ventemodus. For å starte verktøyet, trykker du på PÅ/ventemodus-bryteren i ventemodus. For å stoppe verktøyet, trykker du på PÅ/ventemodus-bryteren igjen. Verktøyet går i ventemodus. Slå av verktøyet ved å trykke på låsebryteren i ventemodus.

► **Fig. 5:** 1. Låsebryter 2. PÅ/ventemodus-bryter

MERK: Hvis maskinen er inaktiv i ventemodus i mer enn 10 sekunder, slår maskinen seg av automatisk, og lampen slukkes.

MERK: Du kan også stoppe og slå av verktøyet ved å trykke på låsebryteren mens verktøyet er i drift.

For å redusere lysstyrken, trykker og holder du inne låsebryteren når du veksler til ventemodus. Omtrent 1 sekund etter at du har begynt å trykke på låsebryteren vil lysstyrken på lampen begynne å gå ned. Slipp låsebryteren når du når ønsket lysstyrke. Den setter verktøyet i ventemodus også. Omtrent 3 sekunder etter at du har begynt å trykke på låsebryteren vil lysstyrken på lampen bli minimert, og lysstyrken vil ikke bli endret etter det.

MERK: Lysstyrken på lampen kan ikke justeres mens verktøyet er i ventemodus. Slå av verktøyet for å redusere lysstyrken på lampen.

MERK: Det er ingen minnefunksjon for lysstyrke på lampen. Hvis du slår lampen av og deretter slår den på igjen, vil lysstyrken på lampen bli maksimert hver gang.

Hastighetsinnstillingshjul

► **Fig. 6:** 1. Hastighetsinnstillingshjul

Verktøyhastigheten kan justeres ved å dreie på hastighetsinnstillingshjulet. 6 er høyeste hastighet og 1 er laveste hastighet.

Se tabellen for valg av riktig hastighet for arbeidsstykket som skal skjæres. Riktig hastighet kan imidlertid variere avhengig av typen arbeidsstykke eller tykkelsen på det. Generelt gjør høyere hastigheter det mulig å skjære raskere, men løvbladets levetid vil bli redusert.

Arbeidsstykke	Tall
Tre	4 - 6
Bløtt stål	3 - 6
Rustfritt stål	3 - 4
Aluminium	3 - 6
Plast	1 - 4

OBS: Hastighetsinnstillingshjulet kan kun dreies til 6 og så tilbake til 1. Ikke prøv å tvinge det forbi 6 eller 1, da det kan føre til at hastighetsinnstillingsfunksjonen slutter å virke.

Elektronisk funksjon

Verktøyet er utstyrt med de elektroniske funksjonen for å gjøre det enkelt å bruke.

Myk start

Mykstartfunksjonen reduserer oppstartssjokket til et minimum, og gjør at verktøyet starter mykt.

Konstant hastighetskontroll

Elektronisk hastighetskontroll for å oppnå konstant hastighet. Det er mulig å oppnå fin overflate fordi rotasjons-hastigheten holdes konstant selv under belastning.

Myk rotasjon uten belastning

Når hastighetsinnstillingshjulet er stilt på "3" eller høyere, reduserer verktøyet automatisk hastigheten til tomgang for å redusere vibrasjoner og enkelt rette inn løvbladet med skjærelinjen. Når verktøyet begynner å skjære arbeidsstykket, øker verktøyhastigheten og når den forhåndsinnstilte hastigheten.

MERK: Det kan hende at denne funksjonen ikke er tilgjengelig ved lav temperatur. Det kan også hende at denne funksjonen ikke er tilgjengelig, avhengig av materialtypen.

MERK: Hvis hastigheten ikke reduseres etter at du skjærer i arbeidsstykket, slår du av verktøyet og slår det deretter på igjen.

Deaktivere eller aktivere funksjonen for myk rotasjon uten belastning

Hvis du vil deaktivere eller aktivere funksjonen for myk rotasjon uten belastning, følger du trinnene nedenfor.

1. Kontroller at verktøyet er slått av.
2. Sett hastighetsinnstillingshjulet på "1".
3. Trykk på låsebryteren for å slå på verktøyet.
4. Drei hastighetsinnstillingshjulet til "6", og deretter tilbake til "1".

Lampen blinker to ganger når funksjonen for myk rotasjon uten belastning er deaktivert eller aktivert. Hvis du vil aktivere eller deaktivere denne funksjonen igjen, følger du samme fremgangsmåte på nytt.

MERK: Hvis funksjonen for myk rotasjon uten belastning er deaktivert, blinker lampen to ganger når verktøyet slås på.

MERK: Du kan også deaktivere eller aktivere funksjonen for myk rotasjon uten belastning ved å flytte hastighetsinnstillingshjulet til "6" – "1" – "6".

Elektrisk brems

Dette verktøyet er utstyrt med elektrisk brems. Hvis verktøyet ikke stopper raskt når startbryteren slippes, må du få gjennomført service ved et Makita servicesenter.

MONTERING

⚠FORSIKTIG: Forviss deg alltid om at maskinen er slått av og batteriet tatt ut før du utfører noe arbeid på maskinen.

Montere eller fjerne sagbladet

⚠FORSIKTIG: Pass alltid på å fjerne flis og fremmedlegemer som kleber seg til løvbladet og/eller bladholderen. Hvis dette ikke gjøres, kan det bli vanskelig å stramme løvbladet ordentlig, noe som kan resultere i alvorlige personskader.

⚠FORSIKTIG: Du må ikke berøre sagbladet eller arbeidsstykket umiddelbart etter at arbeidet er utført. Disse kan være ekstremt varme og vil kunne forårsake brannskader.

⚠FORSIKTIG: Løvbladet må alltid sikres godt. Utilstrekkelig tilstramming av løvbladet kan forårsake brudd i bladet eller alvorlige personskader.

⚠FORSIKTIG: Når du tar ut løvbladet, må du være forsiktig så du ikke skader fingrene dine med toppen av bladet eller kantene på arbeidsstykket.

Før du setter inn løvbladet må du kontrollere at klemmespaken for løvbladet er i åpen stilling. Løvbladet installeres ved å sette løvbladet (tenner vendt forover) inn i løvbladholderen til det låses. Klemmespaken for løvbladet flytter seg til fast stilling av seg selv, og løvbladet låses fast. Kontroller at bakkannten på løvbladet passer inn i rullen. Dra lett i løvbladet for å påse at det ikke vil falle av under drift.

► **Fig.7:** 1. Klemmespak for løvblad (fast stilling)
2. Klemmespak for løvblad (åpen stilling)

► **Fig.8:** 1. Stikksagbladholder 2. Klemmespak for løvblad (åpen stilling) 3. Løvblad 4. Ruller

⚠FORSIKTIG: Ikke åpne verktøyåpneren for mye, da dette kan forårsake skader på verktøyet.

For å ta ut løvbladet, åpne verktøyåpneren fremover så langt den går. Dette frigjør løvbladet.

► **Fig.9:** 1. Stikksagbladholder 2. Verktøyåpner 3. Løvblad

MERK: Dersom det er vanskelig å fjerne løvbladet: Drei funksjonsvelgerspaken til posisjon "III" og slå så vidt verktøyet på flere ganger slik at løvbladholderen flytter seg til bunnen.

Pass på at klemmespaken for løvbladet er i den faste posisjonen når du slår på verktøyet.

Ta batteriet ut av verktøyet før du setter inn eller tar ut løvbladet.

MERK: Smør rullen av og til.

Oppbevaring av sekskantnøkkel

Når sekskantnøkkelen ikke er i bruk, må du oppbevare den som vist i figuren, slik at du ikke mister den.

► **Fig.10:** 1. Fot 2. Sekskantnøkkel

Dekkplate

Bruk dekkplaten når du skjærer dekorativ finér, plast o.l. Den beskytter sensitive eller delikate flater mot skade. Sett den på bunnen av verktøyfoten.

► **Fig.11:** 1. Dekkplate 2. Fot

Antisponenhet

⚠FORSIKTIG: Antisponenheten kan ikke brukes ved skråskjæring.

For sponfri saging kan du bruke antisponenheten. For å montere antisponenheten må du flytte verktøyfoten helt frem og sette den inn fra bunnen av verktøyfoten.

Når du bruker dekkplaten, må du montere antisponenheten på dekkplaten.

► **Fig.12:** 1. Fot 2. Antisponenhet

Støvopsamler

Valgfritt tilbehør

Det anbefales å bruke støvmunnstykket for ren saging.

Fest støvmunnstykket på verktøyet ved å sette inn kroken på støvmunnstykket i hullet i foten.

► **Fig.13:** 1. Støvmunnstykke 2. Fot

For å sikre støvmunnstykket strammer du klemskruen foran på støvmunnstykket. Støvmunnstykket kan monteres på venstre eller høyre side av foten.

► **Fig.14:** 1. Klemskrue

Koble deretter en Makita-støvsuger til støvmunnstykket.

► **Fig.15:** 1. Støvmunnstykke 2. Slange for støvsuger

BRUK

⚠FORSIKTIG: Hold alltid verktøyfoten sammen med arbeidsstykket. Gjør du ikke det, kan det resultere i at bladet brykker. Dette kan forårsake alvorlige personskader.

⚠FORSIKTIG: Skyv verktøyet veldig sakte frem når du sager kurver eller spiraler. Hvis du legger for mye press på verktøyet, kan det føre til at skjæreoverflate blir skjev og at sagbladet brykker.

Slå verktøyet på, uten at løvbladet er i kontakt med noe, og vent til løvbladet når full hastighet. Hvil verktøyfoten flatt på arbeidsstykket og beveg verktøyet forsiktig fremover langs den markerte skjærelinjen.

► **Fig.16:** 1. Skjærelinje 2. Fot

Skråskjæring

⚠FORSIKTIG: Forviss deg alltid om at maskinen er slått av og batteriinnsatsen er tatt ut, før du vipper foten.

Med verktøyfoten vippet kan du gjennomføre skråskjæring i alle vinkler mellom 0° og 45° (venstre eller høyre).

► Fig.17

Vipp foten ved å løse bolten på bunnen av foten med sekskantnøkkelen. Flytt foten slik at bolten er plassert midt i skrårsporet i foten.

► Fig.18: 1. Sekskantnøkkel 2. Skruer 3. Verktøyfot

Vipp foten inntil ønsket vinkel for skråskjæring oppnås. V-sporer på girhuset viser skråvinkelen med gradinndeling. Stram deretter bolten for å sikre foten godt.

► Fig.19: 1. Skrårspor 2. Verktøyfot 3. Bolt 4. Gradinndeling 5. V-spor 6. Girhus

Rettfremskjæring

Løse bolten på bunnen av verktøyfoten med sekskantnøkkelen og skyv verktøyfoten helt tilbake. Stram deretter bolten for å feste verktøyfoten.

► Fig.20: 1. Sekskantnøkkel 2. Bolt 3. Fot

Utsnitt

Utsnitt kan utføres med en av to metoder: "Bore et starthull" eller "Innstikk".

Bore et starthull

For interne utsnitt uten innføringskutt fra en kant, må du forhåndsbore et starthull på 12 mm eller mer i diameter. Sett inn sagbladet i dette hullet for å starte sagingen.

► Fig.21

Innstikk

Du trenger ikke å bore et starthull eller foreta et innføringskutt hvis du gjør følgende på en nøyaktig måte.

► Fig.22

1. Vipp verktøyet opp på forkanten av verktøyfoten med sagbladspissen plassert rett over overflaten på arbeidsemnet.
2. Utøve trykk på verktøyet, slik at forkanten av verktøyfoten ikke beveger seg når du slår på verktøyet forsiktig og senker bakenden sakte.
3. Når sagbladet lager hull i arbeidsemnet, senker du verktøyfoten sakte ned mot overflaten på arbeidsemnet.
4. Fullfør kuttet på vanlig måte.

Finpusse kanter

For å pusse kanter eller foreta dimesjonsjusteringer må du kjøre sagbladet lett langs kantene.

► Fig.23

Metallkutting

Når du sager i metall, må du alltid bruke et passende kjølemiddel (en passende sagolje). Hvis du ikke gjør det, vil sagbladet bli svært slitt. Undersiden av arbeidsemnet kan smøres med fett, istedet for å bruke kjølevæske.

Parallellanlegg

Valgfritt tilbehør

⚠FORSIKTIG: Forviss deg alltid om at maskinen er slått av og batteriet tatt ut, før du monterer eller demonterer tilbehør.

Rette kutt

Når du sager bredder under 160 mm gjentatte ganger, må du bruke parallellanlegget for å sikre raske, rene og rette kutt.

► Fig.24: 1. Parallellanlegg (føringslinjal)

For å montere, må du sette parallellanlegget i det firkantede hullet på siden av verktøyfoten med anleggsføringen pekende nedover. Skyv parallellanlegget til posisjon for ønsket skjærebredde, og stram skruen for å sikre det.

► Fig.25: 1. Sekskantnøkkel 2. Skruer 3. Anleggsføringen 4. Parallellanlegg (føringslinjal)

Sirkelkutt

Når du sager sirkler eller buer med en radius på 170 mm eller mindre, må du montere parallellanlegget på følgende måte.

► Fig.26: 1. Parallellanlegg (føringslinjal)

⚠FORSIKTIG: Ikke berør spissen på sirkelføringsstiften. Den skarpe spissen på sirkelføringsstiften kan forårsake personskade.

1. Sett parallellanlegget i det firkantede hullet på siden av foten med anleggsføringen vendt oppover.

2. Sett inn sirkelføringsstiften gjennom et av de to hullene i anleggsføringen. Skru gjengeknotten inn i sirkelføringsstiften for å sikre sirkelføringsstiften.

► Fig.27: 1. Gjengeknotten 2. Anleggsføringen 3. Parallellanlegg (føringslinjal) 4. Sirkelføringsstift 5. Bolt

3. Skyv parallellanlegget til posisjon for ønsket skjæreradius, og stram bolten for å sikre det på plass.

MERK: Bruk alltid blad nr. B-17, B-18, B-26 eller B-27 når du sager sirkler eller buer.

Føringsskinneadaptersett

Valgfritt tilbehør

Når du skjærer parallell og lik bredde eller rette linjer, vil bruk av føringsskinne og føringsskinneadapteren sikre raske og rene kutt. Føringsskinneadapteren monteres ved å sette linjalstangen så langt inn i det firkantede hullet i foten som mulig. Fest bolten godt med sekskantnøkkelen.

► **Fig.28:** 1. Sekskantnøkkel 2. Linjalstang 3. Bolt

Sett linjalstangen inn i det firkantede hullet i føringsskinneadapteren, og fest skruen godt. Plasser føringsskinneadapteren på føringsskinne.

► **Fig.29:** 1. Føringsskinneadapter 2. Føringsskinne 3. Skru

OBS: Bruk alltid løvblad nr. B-8, B-13, B-16, B-17 eller 58 når du bruker føringsskinne og føringsskinneadapteren.

VEDLIKEHOLD

⚠FORSIKTIG: Forviss deg alltid om at maskinen er slått av og batteriet tatt ut før du foretar inspeksjon eller vedlikehold.

OBS: Aldri bruk gasolin, bensin, tynner alkohol eller lignende. Det kan føre til misfarging, deformering eller sprekkdannelse.

For å opprettholde produktets SIKKERHET og PÅLITELIGHET, må reparasjoner, vedlikehold og justeringer utføres av autoriserte Makita servicesentre eller fabrikk-servicesentre, og det må alltid brukes reservedeler fra Makita.

VALGFRITT TILBEHØR

⚠FORSIKTIG: Det anbefales at du bruker dette tilbehøret eller verktøyet sammen med den Makita-maskinen som er spesifisert i denne håndboken. Bruk av annet tilbehør eller verktøy kan forårsake personskader. Tilbehør og verktøy må kun brukes til det formålet det er beregnet på.

Ta kontakt med ditt lokale Makita-servicesenter hvis du trenger mer informasjon om dette tilbehøret.

- Stikksagblader
- Sekskantnøkkel 4
- Parallellanleggsett (føringsslinjal)
- Føringsskinneadaptersett
- Styreskinnesett
- Antisponenhet
- Dekkplate
- Støvmunnstykke mont.
- Makita originalbatteri og lader

MERK: Enkelte elementer i listen kan være inkludert som standardtilbehør i verktøypakken. Elementene kan variere fra land til land.

TEKNISET TIEDOT

Malli:	JV001G	
Iskun pituus	26 mm	
Iskua minuutissa	800 - 3 500 min ⁻¹	
Terätyyppi	B-tyyppi	
Suurin leikkuukapasiteetti	Puu	135 mm
	Pehmeä teräs	10 mm
	Alumiini	20 mm
Kokonaispituus (mukana BL4025)	283 mm	
Nimellisjännite	DC 36 V – 40 V maks.	
Nettopaino	2,6 - 2,9 kg	

- Jatkuvasta tutkimus- ja kehitystyöstämme johtuen esitetyt tekniset tiedot saattavat muuttua ilman erillistä ilmoitusta.
- Tekniset tiedot voivat vaihdella maittain.
- Paino voi olla erilainen lisävarusteista sekä akusta johtuen. EPTA-menettelytavan 01/2014 mukaisesti, taulukossa on kuvattu kevyin ja painavin laiteyhdistelmä.

Käytettävä akkupaketti ja laturi

Akkupaketti	BL4020 / BL4025 / BL4040
Laturi	DC40RA / DC40RB / DC40RC

- Tiettyjä yläpuolella kuvattuja akkuja ja latureita ei ehkä ole saatavana asuinalueestasi johtuen.

VAROITUS: Käytä vain edellä eriteltyjä akkupaketteja ja latureita. Muiden akkupakettien ja laturien käyttäminen voi aiheuttaa loukkaantumisen ja/tai tulipalon.

Käyttötarkoitus

Työkalu on tarkoitettu puun, muovin ja metallin sahaamiseen.

Melutaso

Tyypillinen A-painotettu melutaso määräytyy standardin EN62841-2-11 mukaan:

Äänenpainetaso (L_{pA}): 87 dB (A)

Äänen voiman taso (L_{WA}): 98 dB (A)

Virhemarginaali (K): 3 dB (A)

HUOMAA: Ilmoitetut melutasoarvot on mitattu standarditestausten menetelmän mukaisesti ja niiden avulla voidaan vertailla työkaluja keskenään.

HUOMAA: Ilmoitettuja melutasoarvoja voidaan käyttää myös altistumisen alustavaan arviointiin.

VAROITUS: Käytä kuulosuojaimia.

VAROITUS: Sähkötyökalun käytön aikana mitattu melutasoarvo voi poiketa ilmoitetuista arvoista laitteen käytettävän ja erityisesti käsiteltävän työkalupaleen mukaan.

VAROITUS: Selvitä käyttäjän suojaamiseksi tarvittavat varoimet todellisissa käyttöolosuhteissa tapahtuvan arvioidun altistumisen mukaisesti (ottaen huomioon käyttöjakso kokonaisuudessaan, myös jaksot, joiden aikana laite on sammutettuna tai käy tyhjäkäynnillä).

Tärinä

Kokonaistärinä (kolmen akselin vektorien summa)

määräytyy standardin EN62841-2-11 mukaan:

Työtila: levyjen sahaaminen

Tärinäpäästö ($a_{h,B}$): 4,6 m/s²

Virhemarginaali (K): 2,5 m/s²

Työtila: metallilevyn leikkaaminen

Tärinäpäästö ($a_{h,M}$): 4,8 m/s²

Virhemarginaali (K): 1,5 m/s²

HUOMAA: Ilmoitetut kokonaistärinäarvot on mitattu standarditestausten menetelmän mukaisesti ja niiden avulla voidaan vertailla työkaluja keskenään.

HUOMAA: Ilmoitettuja kokonaistärinäarvoja voidaan käyttää myös altistumisen alustavaan arviointiin.

VAROITUS: Sähkötyökalun käytön aikana mitattu todellinen tärinäpäästöarvo voi poiketa ilmoitetuista arvoista laitteen käytettävän ja erityisesti käsiteltävän työkalupaleen mukaan.

VAROITUS: Selvitä käyttäjän suojaamiseksi tarvittavat varoimet todellisissa käyttöolosuhteissa tapahtuvan arvioidun altistumisen mukaisesti (ottaen huomioon käyttöjakso kokonaisuudessaan, myös jaksot, joiden aikana laite on sammutettuna tai käy tyhjäkäynnillä).

Vaatimustenmukaisuusvaatimukset

Koskee vain Euroopan maita

Vaatimustenmukaisuusvaatimukset on liitetty tähän käyttöoppaaseen liitteeksi A.

TURVAVAROITUKSET

Sähkötyökalujen käyttöä koskevat yleiset varoitukset

VAROITUS Tutustu kaikkiin tämän sähkötyökalun mukana toimitettuihin turvavaroituksiin, ohjeisiin, kuviin ja teknisiin tietoihin. Seuraavassa esitettyjen ohjeiden noudattamatta jättäminen voi aiheuttaa sähköiskun, tulipalon ja/tai vakavan vamman.

Säilytä varoitukset ja ohjeet tulevaa käyttöä varten.

Varoituksissa käytettävällä termillä "sähkötyökalu" tarkoitetaan joko verkkovirtaa käyttävää (johdollista) työkalua tai akkukäyttöistä (johdotonta) työkalua.

Langattoman lehtisahan turvaohjeet

1. **Kun suoritat toimenpidettä, jossa leikkaus-työkalu voi joutua kosketukseen piilossa olevien johtojen kanssa, pidä kiinni työkalusta sen eristetyin tarttumispinnan kohdalta.** Jos leikkausväline joutuu kosketukseen jännitteisen johdon kanssa, jännite voi siirtyä työkalun sähköjohtaviin metalliosiin ja aiheuttaa käyttäjälle sähköiskun.
2. **Kiinnitä ja tue työkappale tukevalle alustalle puristimilla tai muulla käytännöllisellä tavalla.** Työn pitäminen kädessä tai vartaloa vasten tekee työn epävakaa ja voi johtaa hallinnan menetykseen.
3. **Käytä aina suojalaseja. Tavalliset silmä- tai aurinkolasit EIVÄT ole suojalaseja.**
4. **Vältä naujojen sahaamista. Tarkasta, onko työkappaleessa nauvoja, ja poista ne ennen käyttöä.**
5. **Älä leikkaa ylisuuria työkappaleita.**
6. **Tarkista ennen sahaamista työkappaletta ympäröivä tyhjä tila, jotta sahanterä ei kosketa lattiaa, työpenkkiä tms.**
7. **Ota työkalusta luja ote.**
8. **Varmista ennen sahan käynnistämistä, ettei terä kosketa työkappaletta.**
9. **Pidä kädet poissa liikkuvien osien luota.**
10. **Älä jätä työkalua käymään itseksensä. Käytä laiteita vain silloin, kun pidät sitä kädessä.**
11. **Sammuta laite ja odota, että sahanterä pysähtyy täysin, aina ennen kuin irrotat sahanterän työkappaleesta.**
12. **Älä kosketa sahanterää tai työkappaletta heti käytön jälkeen, sillä ne voivat olla erittäin kuumia ja saattavat polttaa ihoa.**
13. **Älä käytä työkalua tarpeettomasti ilman kuormaa.**

14. **Jotkin materiaalit sisältävät kemikaaleja, jotka voivat olla myrkyllisiä. Huolehdi siitä, että pölyn sisään hengittäminen ja ihokosketus estetään. Noudata materiaalin toimittajan turvaohjeita.**
15. **Käytä aina työstettävän materiaalin ja käyttö-tarkoituksen mukaan valittua polynaamaria/hengityssuojainta.**

SÄILYTÄ NÄMÄ OHJEET.

VAROITUS: ÄLÄ anna työkalun helppokäytöisyyden (toistuvan käytön aikaansaama) johtaa sinua vääriin turvallisuuden tunteeseen niin, että laiminlyöt työkalun turvaohjeiden noudattamisen. **VÄÄRINKÄYTTÖ** tai tässä käyttöohjeessa ilmoitettujen turvamääräysten laiminlyönti voi aiheuttaa vakavia henkilövahinkoja.

Akkupakettia koskevia tärkeitä turvaohjeita

1. **Ennen akun käyttöönottoa tutustu kaikkiin laturissa (1), akussa (2) ja akkukäyttöisessä tuotteessa (3) oleviin varoitusteksteihin.**
2. **Älä pura tai peukaloi imuria akkupakettia.** Se voi johtaa tulipaloon, ylikuumenemiseen tai räjähdykseen.
3. **Jos akun toiminta-aika lyhenee merkittävästi, lopeta akun käyttö.** Seurauksena voi olla ylikuumeneminen, palovammoja tai jopa räjähdys.
4. **Jos akkuneustettua pääsee silmiin, huuhtele puhtaalla vedellä ja hakeudu välittömästi lääkärin hoitoon.** Akkuneuste voi aiheuttaa näön menetyksen.
5. **Älä oikosulje akkua.**
 - (1) **Älä koske akun napoihin millään sähköä johtavalla materiaalilla.**
 - (2) **Vältä akun oikosulkemista äläkä säilytä akkua yhdessä muiden metalliesineiden, kuten naujojen, kolikoiden ja niin edelleen kanssa.**
 - (3) **Älä aseta akkua alttiiksi vedelle tai sateelle.**Oikosulku voi aiheuttaa virtapiikin, ylikuumenemista, palovammoja tai laitteen rikkoutumisen.
6. **Älä säilytä ja käytä työkalua ja akkupakettia paikassa, jossa lämpötila voi nousta 50 °C:een (122 °F) tai korkeammaksi.**
7. **Älä hävitä akkua polttamalla, vaikka se olisi pahoin vaurioitunut tai täysin loppuun kulunut.** Avotuli voi aiheuttaa akun räjähtämisen.
8. **Älä naujaa, leikkaa, purista, heitä tai pudota akkupakettia tai iske sitä kovia esineitä vasten.** Tällaiset toimet voivat johtaa tulipaloon, ylikuumenemiseen tai räjähdykseen.
9. **Älä käytä viallista akkua.**
10. **Sisältyviä litium-ioni-akkuja koskevat vaarallisten aineiden lainsäädännön vaatimukset.** Esimerkiksi kolmansien osapuolten huolintaliikkeiden tulee kaupallisissa kuljetuksissa noudattaa pakkaamista ja merkintöjä koskevia erityisvaatimuksia.

Lähetettävän tuotteen valmistelu edellyttää vaarallisten aineiden asiantuntijan neuvontaa. Huomioi myös mahdollisesti yksityiskohtaisemmat kansalliset määräykset

Akun avoimet liittimet tulee suojata teipillä tai suojuksella ja pakkaaminen tulee tehdä niin, ettei akku voi liikkua pakkauksessa.

- Kun akkupaketti on hävitettävä, poista se laitteesta ja hävitä se turvallisesti. Hävitä akku paikallisten määräysten mukaisesti.**
- Käytä akkuja vain Makitan ilmoittamien tuotteiden kanssa.** Akkujen asentaminen yhteensopimattomiin tuotteisiin voi aiheuttaa tulipalon, liiallisen ylikuumentumisen, räjähdyksen tai akkuneestevuotoja.
- Jos laitetta ei käytetä pitkään aikaan, akku on poistettava laitteesta.**
- Akkupaketin lämpötila voi käytön aikana ja sen jälkeen nousta niin kuumaksi, että se voi aiheuttaa palovammoja tai lieviä palovammoja. Käsittele kuumia akkupaketteja huolellisesti.**
- Älä kosketa työkalun liittintä välittömästi käytön jälkeen, sillä se voi olla riittävän kuuma aiheuttamaan palovammoja.**
- Älä päästä lastuja, pölyä tai maata akkupaketin liittimiin, aukkoihin ja uriin.** Se voi johtaa työkalun tai akkupaketin lämpenemiseen, syttymiseen, purkautumiseen tai toimintahäiriöön, mikä voi aiheuttaa palovammoja tai vammoja.
- Ellei työkalu tue käyttöä korkeajännitelinjojen lähellä, älä käytä akkupakettia korkeajännitelinjojen lähellä.** Se voi johtaa työkalun tai akkupaketin toimintahäiriöön tai rikkoutumiseen.
- Pidä akku poissa lasten ulottuvilta.**

SÄILYTÄ NÄMÄ OHJEET.

⚠HUOMIO: Käytä vain alkuperäisiä Makita-akkuja. Muiden kuin aitojen Makita-akkujen, tai mahdollisesti muutettujen akkujen käyttö voi johtaa akun murtumiseen ja aiheuttaa tulipaloja, henkilö- ja omaisuusvahinkoja. Se mitätöi myös Makita-työkalun ja -laturin Makita-takuun.

Vihjeitä akun käyttöiän pidentämiseksi

- Lataa akku ennen kuin se purkautuu täysin. Lopeta aina työkalun käyttö ja lataa akku, jos huomaat työkalun tehon vähenevän.**
- Älä koskaan lataa uudestaan täysin ladattua akkua.** Ylilataaminen lyhentää akun käyttöikä.
- Lataa akku huoneen lämpötilassa välillä 10 °C - 40 °C.** Anna kuuman akun jäähtyä ennen lataamista.
- Irrota akkupaketti työkalusta tai laturista, kun sitä ei käytetä.**
- Lataa akkupaketti, jos et käytä sitä pitkään aikaan (yli kuusi kuukautta).**

TOIMINTOJEN KUVAUS

⚠HUOMIO: Varmista aina ennen säätöjä ja tarkastuksia, että työkalu on sammutettu ja akkupaketti irrotettu.

Akun asentaminen tai irrottaminen

⚠HUOMIO: Sammuta työkalu aina ennen akun kiinnittämistä tai irrottamista.

⚠HUOMIO: Pidä työkalusta ja akusta tiukasti kiinni, kun irrotat tai kiinnität akkua. Jos akkupaketti tai työkalu putoaa, ne voivat vaurioitua tai aiheuttaa tapaturman.

► **Kuva1:** 1. Punainen ilmaisin 2. Painike 3. Akkupaketti

Irrota akku painamalla akun etupuolella olevaa painiketta ja vetämällä akku ulos työkalusta.

Akkupaketti asetetaan paikalleen sovitamalla akkupaketin kieleke rungon uraan ja työntämällä se sitten paikalleen. Työnnä se pohjaan asti niin, että kuulet sen napsahdavan paikoilleen. Jos näet kuvan mukaisen punaisen ilmaisimen, lukitus ei ole täysin pitävä.


















⚠HUOMIO: Työnnä akkupaketti aina pohjaan asti, niin että punainen ilmaisin ei enää näy. Jos akkupaketti ei ole kunnolla paikallaan, se voi pudota työkalusta ja aiheuttaa vammoja joko sinulle tai sivullisille.

⚠HUOMIO: Älä käytä voimaa akun asennuksessa. Jos akku ei lii'u paikalleen helposti, se on väärässä asennossa.

Akun jäljellä olevan varustason ilmaisin

Painamalla tarkistuspainiketta saat näkyviin akun jäljellä olevan varauksen. Merkkivalot palavat muutaman sekunnin ajan.

► **Kuva2:** 1. Merkkivalot 2. Tarkistuspainike

Merkkivalot			Akussa jäljellä olevan varaus
 Palaava	 Pois päältä	 Viilkuu	
			75% - 100%
			50% - 75%
			25% - 50%
			0% - 25%
			Lataa akku.
			Akussa on saattanut olla toimintahäiriö.
			

HUOMAA: Ilmoitettu varaustaso voi erota hieman todellisesta varaustasosta sen mukaan, millaisissa oloissa ja missä lämpötilassa laitetta käytetään.

HUOMAA: Ensimmäinen (vasemmanpuoleisin) merkivalo vilkkuu, kun akun suojausjärjestelmä on toiminnassa.

Työkalun/akun suojausjärjestelmä

Työkalu on varustettu työkalu/akun suojausjärjestelmällä. Tämä järjestelmä pidentää työkalun ja akun käyttöikää katkaisemalla automaattisesti moottorin virran. Työkalu pysähtyy automaattisesti kesken käytön, jos työkalussa tai akussa ilmenee jokin seuraavista tilanteista:

Ylikuormitussuoja

Kun työkalua käytetään tavalla, mikä saa sen kuluttamaan epätavallisen suuren määrän virtaa, työkalu pysähtyy automaattisesti ilman mitään merkkivaloa tai ilmaisuja. Katkaise tässä tilanteessa työkalusta virta ja lopeta ylikuormitustilan aiheuttanut käyttö. Käynnistä sitten työkalu uudelleen kytkemällä siihen virta.

Ylikuumenemissuoja

Työkalun ylikuumentessa se pysähtyy automaattisesti ja lamppu alkaa vilkkua. Anna silloin työkalun/akun jäähtyä, ennen kuin kytket työkaluun uudelleen virran.

Ylipurkautumissuoja

Kun akun varaus on riittämätön, työkalu pysähtyy automaattisesti. Irrota silloin akku työkalusta ja lataa se.

Suojaus muilta haitallisilta tapahtumilta

Suojausjärjestelmä on suunniteltu suojaamaan työkalu myös muilta tapahtumilta, jotka voisivat vahingoittaa työkalua, ja pysäyttämään työkalu automaattisesti tällaisissa tapauksissa. Kun työkalu tai sen toiminta on pysähtynyt tilapäisesti, poista pysäytyksen syyt seuraavien vaiheiden mukaisesti.

1. Käynnistä työkalu uudelleen sammuttamalla se ja kytkemällä se sitten uudelleen päälle.
2. Lataa akut tai vaihda ne ladattuihin akkuihin.
3. Anna työkalun ja akkujen jäähtyä.

Jos suojausjärjestelmän nollaaminen ei korjaa tilannetta, ota yhteys paikalliseen Makita-huoltoon.

Leikkaustoiminnan valinta

Tätä konetta voi käyttää rata- tai suoralinjaleikkaustoiminnalla (ylös ja alas). Rataleikkaustoiminnan aikana terä työntyy eteenpäin ja lisää sahausnopeutta.

► **Kuva3:** 1. Leikkaustoiminnan vaihtovipu

Leikkaustoiminnan vaihtamiseksi käännä leikkaustoiminnan vaihtovipu haluttuun leikkaustoiminta-asemaan. Katso taulukosta sopiva leikkaustoiminta.

Paikka	Leikkaustoiminta	Sovellukset
0	Suoralinjaleikkaustoiminta	Pehmeän teräksen, ruostumattoman teräksen ja muovin leikkaamiseen. Puun ja vanerin siisteihin leikkaamiseen.
I	Pienen radan leikkaustoimintaan	Pehmeän teräksen, alumiinin ja kovan puun leikkaamiseen.
II	Keskisuuren radan leikkaustoimintaan	Puun ja vanerin leikkaamiseen. Alumiinin ja pehmeän teräksen nopeaan leikkaamiseen.
III	Suuren radan leikkaustoimintaan	Puun ja vanerin nopeaan leikkaamiseen.

Etulampun sytyttäminen

⚠HUOMIO: Älä katso suoraan lamppuun tai valonlähteeseen.

Lamppu syttyy painamalla lukituskytkintä. Lamppu sammuu painamalla kytkintä uudelleen.

► **Kuva4:** 1. Lukituskytkin 2. Lamppu

HUOMAUTUS: Jos työkalu ylikuumentuu, lamppu alkaa vilkkua. Anna työkalun jäähtyä ennen sen käyttämistä uudelleen.

HUOMAA: Pyyhi lika pois linssistä kuivalla liinalla. Varo naarmuttamasta linssiä, ettei valoteho laske.

Kytkimen käyttäminen

Sytytä lamppu painamalla lukituskytkintä. Työkalu siirtyy valmiustilaan. Käynnistä valmiustilassa oleva työkalu painamalla ON/valmiustila-kytkintä. Pysäytä työkalu painamalla ON/valmiustila-kytkintä uudelleen. Työkalu siirtyy valmiustilaan. Katkaise työkalusta virta painamalla lukituskytkintä valmiustilassa.

► **Kuva5:** 1. Lukituskytkin 2. ON/valmiustila-kytkin

HUOMAA: Jos laitetta ei käytetä valmiustilassa 10 sekunnin aikana, laite sammuu automaattisesti ja lamppu sammuu.

HUOMAA: Voit myös pysäyttää ja sammuttaa laitteen painamalla lukituskytkintä laitteen ollessa käynnissä.

Voit himmentää valoa painamalla ja pitämällä painetuna lukituskytkintä, kun laite siirretään valmiustilaan. Noin 1 sekunnin kuluttua lukituskytkimen painamisesta lamppu alkaa himmentyä. Vapauta lukituskytkin, kun kirkkaus on sopiva. Samalla laite siirtyy valmiustilaan. Noin 3 sekunnin kuluttua lukituskytkimen painamisesta lamppu on himmeimmillään eikä kirkkaus enää muutu.

HUOMAA: Lampun kirkkautta ei voi säätää laitteen ollessa valmiustilassa. Voit himmentää lampun katkaisemalla laitteesta virran.

HUOMAA: Lampun kirkkaudelle ei ole muistitoimintoa. Jos sammutat ja sitten kytket lampun, se on aina kirkkaimmillaan.

Nopeudensäätöpyörä

► **Kuva6:** 1. Nopeudensäätöpyörä

Työkalun nopeutta voi muuttaa kiertämällä nopeudensäätöpyörää. Nopeus on suurimmillaan arvolla 6 ja pienimmillään arvolla 1.

Valitse sahattavalle työkappaleelle sopiva nopeus seuraavasta taulukosta. Oikea nopeus voi tosin vaihdella työkappaleen tyypin ja paksuuden mukaan. Yleisesti ottaen suurella nopeudella työkappaleet voi sahata nopeammin, mutta lehtisahanterän käyttöikä lyhenee.

Työkappale	Numero
Puu	4 - 6
Pehmeä teräs	3 - 6
Ruostumatun teräs	3 - 4
Alumiini	3 - 6
Muovit	1 - 4

HUOMAUTUS: Nopeudensäätöpyörää voi kääntää vain arvoon 6 ja takaisin arvoon 1. Älä ohita väkisin arvoa 6 tai 1, koska tällöin nopeudensäätö ei ehkä enää toimi.

Sähköinen toiminta

Laite on varustettu sähköisillä toiminnoilla helppokäyttöisyyttä ajatellen.

Pehmeä käynnistys

Pehmeä käynnistys -toiminto pienentää käynnistystärhdystä ja saa työkalun käynnistymään tasaisesti.

Vakionopeudensäätö

Sähköinen nopeudensäätö vakionopeutta varten.

Jäljestä voi tulla moitteetonta, koska pyörimisnopeus pysyy vakiona kuormitettunakin.

Pehmeä kuormittamaton pyörimistoiminto

Kun nopeudensäätöpyörän arvo on "3" tai suurempi, työkalu valitsee automaattisesti kuormittamattoman nopeuden, jotta tärinä vähenee ja sahanterä on helpompi asettaa leikkuulinjalle. Kun työkalu on alkanut sahata työkappaletta, sen nopeus suurenee asetettuun nopeuteen saakka.

HUOMAA: Jos lämpötilan on matala, tämä toiminto ei ehkä ole käytössä. Toiminto ei ehkä ole käytössä tiettyntyyppisten materiaalien kanssa.

HUOMAA: Jos nopeus ei pienene työkappaleen sahaamisen jälkeen, katkaise työkalusta virta ja kytkä se takaisin.

Pehmeän kuormittamattoman pyörimistoiminnon poistaminen käytöstä

Poista pehmeä kuormittamaton pyörimistoiminto käytöstä noudattamalla seuraavia vaiheita.

1. Varmista, että työkalu on sammutettu.
2. Aseta nopeudensäätöpyörä asetukselle "1".
3. Käynnistä työkalu painamalla lukituskytkintä.
4. Käännä nopeudensäätöpyörä asetukselle "6" ja sitten takaisin asetukselle "1".

Lamppu välähtää kahdesti, kun pehmeä kuormittamaton pyörimistoiminto otetaan käyttöön tai poistetaan käytöstä. Ota tämä toiminto käyttöön tai poista se käytöstä tekemällä samat toimenpiteet uudelleen.

HUOMAA: Jos pehmeä kuormittamaton pyörimistoiminto on pois käytöstä, merkkivalo vilkkuu kaksi kertaa laitteen käynnistämisen aikana.

HUOMAA: Voit myös ottaa pehmeän kuormittamattoman pyörimistoiminnon pois käytöstä tai ottaa sen käyttöön muuttamalla nopeudensäätöpyörän arvoa "6" - "1" - "6".

Sähköjarru

Tämä työkalu on varustettu sähköjarrulla. Jos työkalu ei toistuvasti pysähdy nopeasti liipaisinkytkimen vapautuksen jälkeen, vie työkalu huolettavaksi Makitan huoltopalveluun.

KOKOONPANO

HUOMIO: Varmista aina ennen mitään työkalulle tehtäviä toimenpiteitä, että se on sammutettu ja akku irrotettu.

Lehtisahanterän asennus tai irrotus

HUOMIO: Poista aina terään ja/tai terän kannattimeen tarttuneet lastut tai vierasaineet. Tämän laiminlyönti saattaa aiheuttaa terän riittämättömän kiristymisen, mikä voi aiheuttaa vakavan vamman.

HUOMIO: Älä kosketa lehtisahanterää tai työkappaletta heti käytön jälkeen. Ne voivat olla hyvin kuumia ja aiheuttaa palovammoja.

HUOMIO: Kiinnitä aina lehtisahanterä lujasti. Terän riittämätön kiristäminen voi aiheuttaa terän rikkoutumisen tai vakavan vamman.

HUOMIO: Kun irrotat lehtisahanterää, ole varovainen, jotta et loukkaa sormiasi terän yläosaan tai työkappaleen kärkiin.

Varmista ennen lehtisahanterän asentamista, että terän kiinnitysvipu on vapautetussa asennossa.

Asenna lehtisahanterä työntämällä sitä (hammastus eteenpäin) teräpidikkeeseen, kunnes se lukkiutuu. Lehtisahanterän kiinnitysvipu siirtyy lukittuun asentoon, ja terä lukittuu paikalleen. Varmista, että lehtisahanterän takareuna sopii rullaan. Varmista, ettei lehtisahanterä pääse irtomaan käytön aikana, vetämällä terää kevyesti.

► **Kuva7:** 1. Lehtisahanterän kiinnitysvipu (lukittuna) 2. Lehtisahanterän kiinnitysvipu (avattuna)

► **Kuva8:** 1. Lehtisahanterän kannatin 2. Lehtisahanterän kiinnitysvipu (avattuna) 3. Lehtisahanterä 4. Rulla

⚠HUOMIO: Älä yritä avata työkalun avaa-
jaa liikaa, koska se voi aiheuttaa työkalun
vahingoittumisen.

Irrota lehtisahanterä työntämällä työkalun avaa-
jaa eteenpäin niin pitkälle kuin se menee. Sen jälkeen
lehtisahanterän voi irrottaa.

► **Kuva9:** 1. Lehtisahanterän kannatin 2. Työkalun
avaaja 3. Lehtisahanterä

HUOMAA: Jos lehtisahanterää on vaikea irrottaa:

Laita leikkaustoiminnon vaihtovipu asentoon "III" ja
käynnistä työkalu varovasti useita kertoja, jotta terän-
pidike siirtyy alas.

Varmista, että terän kiinnitysvipu on lukitussa asen-
nossa työkalua käynnistettäessä.

Poista akkupaketti työkalusta ennen lehtisahanterän
asentamista tai irrottamista.

HUOMAA: Voitele tela silloin tällöin.

Kuusioavaimen varastointi

Säilytä kuusioavainta kuvan osoittamassa paikassa,
ette se pääse katoamaan.

► **Kuva10:** 1. Alusta 2. Kuusioavain

Suojalevy

Käytä suojalevyä sahatessasi koristevaneria, muovia
tms. Se estää herkkiä tai hienoja pintoja vahingoittu-
masta. Sovita se työkalun alustan pohjaan.

► **Kuva11:** 1. Suojalevy 2. Alusta

Lohkaisunestolaite

⚠HUOMIO: Lohkaisunestolaitetta ei voida käyt-
tää viisteitysleikkauksia tehtäessä.

Lohkeamattomien leikkausten saavuttamiseksi voit
käyttää lohkaisunestolaitetta. Lohkaisunestolaitteen
asentamiseksi siirrä työkalun alusta täysin eteenpäin ja
sovita se työkalun alustan pohjaan.

Kun käytät suojakilpeä, asenna lohkaisunestolaite
suojakilven päälle.

► **Kuva12:** 1. Alusta 2. Lohkaisunestolaite

Pölynpoisto

Lisävaruste

Pölysuuttimen käyttöä suositellaan puhtaiden leikkaus-
toimintojen tekemiseen.

Kiinnitä pölysuutin työkaluun asettamalla pölysuuttimen
koukku alustassa olevaan reikään.

► **Kuva13:** 1. Pölysuutin 2. Alusta

Kiinnitä pölysuutin kiristämällä pölysuuttimen edessä
oleva kiinnitysruuvi. Pölysuutin voidaan asentaa alustan
vasemmalle tai oikealle puolelle.

► **Kuva14:** 1. Kiristysruuvi

Kiinnitä sitten Makitan pölynimuri pölysuuttimeen.

► **Kuva15:** 1. Pölysuutin 2. Letku pölynimuriin

TYÖSKENTELY

⚠HUOMIO: Pidä aina pohjan upotus työkappa-
leessa. Tämän laiminlyönti voi aiheuttaa terän rikkou-
ttumisen, joka voi aiheuttaa vakavan vamman.

⚠HUOMIO: Etene työkalulla hyvin hitaasti
leikkattaessa kaaria tai rullauksia. Työkalun pakot-
taminen voi aiheuttaa kalteen leikkauspinnan ja
lehtisahanterän rikkoutumisen.

Käynnistä työkalu terää koskettamatta ja odota, kunnes
lehtisahanterä saavuttaa täyden nopeuden. Aseta sitten
työkalun alusta tasaisesti työkappaleen päälle ja siirrä
työkalua varovasti eteenpäin aikaisemmin merkittyä
leikkuulinjaa pitkin.

► **Kuva16:** 1. Leikkuulinja 2. Alusta

Viisteitysleikkaus

⚠HUOMIO: Varmista aina ennen pohjan kallis-
tamista, että laite on sammutettu ja akku irrotettu.

Voit tehdä viisteitysleikkauksia pohjaa kallistamalla 0° ja
45° kulman välillä (vasen tai oikea).

► **Kuva17**

Jos haluat kallistaa alustaa, kierrä sen alaosassa ole-
vaa pulttia auki kuusioavaimella. Siirrä alustaa niin, että
pultti on pohjassa olevan viiston uran keskellä.

► **Kuva18:** 1. Kuusioavain 2. Pultti 3. Alusta

Kallista alustaa, kunnes haluttu viisteityskulma on saa-
vutettu. Konerungon V-lovi ilmaisee viisteityskulman
astejaon mukaan. Kiristä sitten mutteria lujasti alustan
varmistamiseksi.

► **Kuva19:** 1. Laikka-aukko 2. Alusta 3. Pultti
4. Asteikko 5. V-lovi 6. Konerunko

Etu-upotus leikkaukset

Löysennä alustan alaosassa oleva pultti kuusioavai-
mella ja työnnä alusta täysin taaksepäin. Kiinnitä sitten
alusta kiristämällä pultti.

► **Kuva20:** 1. Kuusioavain 2. Pultti 3. Alusta

Poisleikkaukset

Leikkaukset voi tehdä jommallakummalla menetelmällä:
"Aloitusraian kairaaminen" tai "Uputussahaus".

Aloitusraian kairaaminen

Sisäisten leikkausten tekoon ilman reunan läpivientä
leikkua, kairaa ennakkolta halkaisijaltaan 12 mm:n tai
sitä suurempi reikä. Työnnä terä tähän reikään leikkauk-
sesi aloittamiseksi.

► **Kuva21**

Uputussahaus

Sinun ei tarvitse kairata aloitusreikää tai tehdä läpiviennitileikkausta, jos toimit varovasti seuraavalla tavalla.

► Kuva22

1. Kallista työkalua pohjan yläreunaan siten, että lehtisahanterän kärki osoittaa juuri työkappaleen pinnan yläpuolelle.
2. Paina työkalua siten, että pohjan etureuna ei liiku, kun käynnistät työkalun ja laske työkalun takakärkeä hitaasti.
3. Terän tunkeutuessa työkappaleeseen laske työkalun pohja hitaasti työkappaleen pinnalle.
4. Päätä leikkaus normaaliin tapaan.

Reunojen viimeistely

Aja terä kevyesti leikattuja reunoja pitkin reunojen tasaamiseksi tai mittasäästöjen tekemiseksi.

► Kuva23

Metallin leikkaus

Käytä aina sopivaa jäähdytysainetta (leikkuuöljyä), kun leikkaat metallia. Muuten seurauksena on lehtisahanterän merkittävä kuluminen. Työkappaleen alapintaa voidaan rasvata jäähdytysnesteen käytön sijaan.

Repeämäaita

Lisävaruste

▲HUOMIO: Varmista aina, että työkalu on kytketty pois päältä ja akku on poistettu, ennen lisävarusteiden asentamista tai poistamista.

Suorat leikkaukset

Kun leikkaat toistuvasti alle 160 mm leveitä työkappaleita tai pienempiä, repeämäaidan käyttö turvaa nopeat, puhtaat ja suorat leikkaukset.

► Kuva24: 1. Repeämäaita (ohjaustulkki)

Asennukseen liitä repeämäaita pohjan sivussa olevaan suorakulmaiseen reikään siten, että aidan ohjain katsoo alaspäin. Työnnä repeämäaita haluttuun leikkausleveyden asentoon, kiristä sitten pultti varmistaaksesi sen.

► Kuva25: 1. Kuusioavain 2. Pultti 3. Ohjainaita 4. Repeämäaita (ohjaustulkki)

Pyöreät leikkaukset

Kun leikkaat säteeltään 170 mm tai pienempiä ympyröitä tai kaaria, asenna repeämäaita seuraavasti.

► Kuva26: 1. Repeämäaita (ohjaustulkki)

▲HUOMIO: Älä kosketa pyöröohjaimen tapin kärkeä. Pyöröohjaimen tapin terävä kärki voi aiheuttaa vamman.

1. Liitä repeämäaita pohjan sivussa olevaan suorakulmaiseen reikään siten, että aidan ohjain osoittaa ylöspäin.

2. Laita pyöröohjaimen tappi toiseen aitaohjaimessa olevista kahdesta reistä. Ruuvaa kierteitetty nuppi pyöröohjaimen tappiin, jotta tappi pysyy lujasti paikallaan.

► Kuva27: 1. Kierteitetty nuppi 2. Ohjainaita

3. Repeämäaita (ohjaustulkki)

4. Pyöröohjain 5. Pultti

3. Työnnä repeämäaita haluttuun leikkaussäteeseen ja kiristä pultti sen varmistamiseksi.

HUOMAA: Käytä aina lehtisahanterännumeroa B-17, B-18, B-26 tai B-27 leikatessasi ympyröitä tai kaaria.

Ohjauskiskon sovittinsarja

Lisävaruste

Kun sahaat rinnakkaisia ja yhtäläisiä leveyksiä tai sahaat suoraan, ohjauskiskon ja ohjauskiskon sovittimen käyttö varmistavat nopeat ja puhtaat sahaustulokset. Asenna ohjauskiskon sovitin asettamalla viivaintanko alustan neliöreikään niin pitkälle, kuin se menee. Kiristä pultti luotettavasti kiinni kuusioavaimella.

► Kuva28: 1. Kuusioavain 2. Viivaintanko 3. Pultti

Aseta viivaintanko ohjauskiskon sovittimen neliöreikään ja kiristä ruuvi huolellisesti kiinni. Asenna ohjauskiskon sovitin ohjauskiskon päälle.

► Kuva29: 1. Ohjainkiskon sovitin 2. Ohjauskisko 3. Ruuvi

HUOMAUTUS: Käytä aina lehtisahanterää Nro B-8, B-13, B-16, B-17 tai 58 käyttäessäsi ohjauskiskoja ja ohjauskiskon sovittinta.

KUNNOSSAPITO

▲HUOMIO: Varmista aina ennen tarkastusta tai huoltoa, että työkalu on sammutettu ja akku irrotettu.

HUOMAUTUS: Älä koskaan käytä bensiiniä, ohenteita, alkoholia tai tms. aineita. Muutoin pinta voi halkeilla tai sen värit ja muoto voivat muuttua. Muutoin laitteeseen voi tulla värjäytyymiä, muodon vääristymiä tai halkeamia.

Tuotteen TURVALLISUUDEN ja LUOTETTAVUUDEN takaamiseksi korjaukset, muut huoltotyöt ja säädöt on teetettävä Makitan valtuutetussa huoltopisteessä Makitan varaosia käyttäen.

LISÄVARUSTEET

⚠HUOMIO: Seuraavia lisävarusteita tai laitteita suositellaan käytettäväksi tässä ohjeessa kuvatun Makita-työkalun kanssa. Muiden lisävarusteiden tai laitteiden käyttö voi aiheuttaa henkilövahinkoja. Käytä lisävarusteita ja -laitteita vain niiden käyttötarkoituksen mukaisesti.

Jos tarvitset apua tai yksityiskohtaisempia tietoja seuraavista lisävarusteista, ota yhteys paikalliseen Makitan huoltoon.

- Lehtisahan terät
- Kuusioavain 4
- Repeämääaita (ohjauskulma) sarja
- Ohjauskiskon sovitinsarja
- Kisko-ohjain sarja
- Lohkaisunestolaite
- Suojalevy
- Pölysuutinkokoonpano
- Aito Makitan akku ja laturi

HUOMAA: Jotkin luettelossa mainitut varusteet voivat sisältyä työkalun toimitukseen vakiovarusteina. Ne voivat vaihdella maittain.

SPECIFIKATIONER

Model:		JV001G
Slaglængde		26 mm
Antal slag pr. minut		800 - 3.500 min ⁻¹
Klingetype		Type B
Maks. skærekapacitet	Træ	135 mm
	Almindeligt stål	10 mm
	Aluminium	20 mm
Samlet længde (med BL4025)		283 mm
Mærkespænding		D.C. 36 V - 40 V maks.
Nettovægt		2,6 - 2,9 kg

- På grund af vores kontinuerlige forsknings- og udviklingsprogrammer kan hosstående specifikationer blive ændret uden varsel.
- Specifikationer kan variere fra land til land.
- Vægten kan være anderledes afhængigt af tilbehøret, inklusive akkuen. Den letteste og tungeste kombination i henhold til EPTA-procedure 01/2014 er vist i tabellen.

Anvendelig akku og oplader

Akku	BL4020 / BL4025 / BL4040
Oplader	DC40RA / DC40RB / DC40RC

- Nogle af de akkuer og opladere, der er angivet ovenfor, er muligvis ikke tilgængelige, afhængigt af hvilket område du bor i.

⚠ ADVARSEL: Brug kun de akkuer og opladere, der er angivet ovenfor. Brug af andre akkuer og opladere kan medføre personskaade og/eller brand.

Tilsigtet brug

Maskinen er beregnet til savning af træ, plast- og metalmaterialer.

Støj

Det typiske A-vægtede støjniveau bestemt i overensstemmelse med EN62841-2-11:

Lydtryksniveau (L_{pA}): 87 dB (A)

Lydeffektniveau (L_{WA}): 98 dB (A)

Usikkerhed (K): 3 dB (A)

BEMÆRK: De(n) angivne støjmissionsværdi(er) er målt i overensstemmelse med en standardtestmetode og kan anvendes til at sammenligne en maskine med en anden.

BEMÆRK: De(n) angivne støjmissionsværdi(er) kan også anvendes i en præliminær eksponeringsvurdering.

⚠ ADVARSEL: Bær høreværn.

⚠ ADVARSEL: Støjmissionen under den faktiske anvendelse af maskinen kan være forskellig fra de(n) angivne værdi(er), afhængigt af den måde hvorpå maskinen anvendes, især den type arbejdsømne der behandles.

⚠ ADVARSEL: Sørg for at identificere de sikkerhedsforskrifter til beskyttelse af operatøren, som er baseret på en vurdering af eksponering under de faktiske brugsforhold (med hensyntagen til alle dele i brugscyklussen, f.eks. de gange, hvor maskinen er slukket, og når den kører i tomgang i tilgift til afbrydertiden).

Vibration

Vibrationens totalværdi (tre-aksial vektorsum) bestemt i overensstemmelse med EN62841-2-11:

Arbejdstilstand: skæring af brædder

Vibrationsafgivelse ($a_{h,B}$): 4,6 m/s²

Usikkerhed (K): 2,5 m/s²

Arbejdstilstand: skæring af tynde metalplader

Vibrationsafgivelse ($a_{h,M}$): 4,8 m/s²

Usikkerhed (K): 1,5 m/s²

BEMÆRK: De(n) angivne totalværdi(er) for vibration er målt i overensstemmelse med en standardtestmetode og kan anvendes til at sammenligne en maskine med en anden.

BEMÆRK: De(n) angivne totalværdi(er) for vibration kan også anvendes i en præliminær eksponeringsvurdering.

⚠ ADVARSEL: Vibrationsemissionen under den faktiske anvendelse af maskinen kan være forskellig fra de(n) angivne værdi(er), afhængigt af den måde hvorpå maskinen anvendes, især den type arbejdsemne der behandles.

⚠ ADVARSEL: Sørg for at identificere de sikkerhedsforskrifter til beskyttelse af operatøren, som er baseret på en vurdering af eksponering under de faktiske brugsforhold (med hensyntagen til alle dele i brugscyklussen, f.eks. de gange, hvor maskinen er slukket, og når den kører i tomgang i tilgift til afbrydertiden).

Overensstemmelseserklæringer

Kun for lande i Europa

Overensstemmelseserklæringerne er inkluderet i Bilag A i denne brugsanvisning.

SIKKERHEDSADVARSLER

Almindelige sikkerhedsregler for el-værktøj

⚠ ADVARSEL Læs alle sikkerhedsadvarsler, instruktioner, illustrationer og specifikationer, der følger med denne maskine. Hvis du ikke følger alle nedenstående instruktioner, kan det medføre elektrisk stød, brand og/eller alvorlig personskade.

Gem alle advarsler og instruktioner til fremtidig reference.

Ordet "el-værktøj" i advarslerne henviser til det netforsyede (netledning) el-værktøj eller batteriforsyede (akku) el-værktøj.

Sikkerhedsadvarsler for akku stiksav

1. **Hold maskinen i de isolerede håndtagsflader, når der udføres et arbejde, hvor det skærende tilbehør kan komme i kontakt med skjulte ledninger.** Skærende tilbehør, som kommer i kontakt med en strømførende ledning, kan bevirke, at udsatte metaldele på maskinen bliver strømførende, hvorved operatøren kan få elektrisk stød.
2. **Anvend spændestykker eller en anden praktisk måde til at fastspænde og støtte arbejdsemnet til en stabil flade.** Hvis arbejdsemnet holdes med hånden eller støttes mod kroppen, vil det være ustabil, hvilket kan medføre, at De mister kontrollen over det.
3. **Anvend altid sikkerhedsbriller eller beskyttelsesbriller.** Almindelige briller eller solbriller er IKKE sikkerhedsbriller.

4. **Undgå at save i søm.** Tjek arbejdsemnet for søm, og fjern dem, før arbejdet påbegyndes.
5. **Sav ikke i for store arbejdsemner.**
6. **Kontrollér, at der er korrekt afstand rundt om arbejdsemnet, før savningen foretages, så stiksavklingen ikke rammer gulvet, arbejdsbænken osv.**
7. **Hold godt fast i maskinen.**
8. **Sørg for, at stiksavklingen ikke kommer i kontakt med arbejdsemnet, før kontakten tændes.**
9. **Hold hænderne væk fra bevægelige dele.**
10. **Lad ikke maskinen køre.** Anvend kun maskinen, når den holdes i hænderne.
11. **Sluk altid for maskinen, og vent på, at stiksavklingen standser helt, før du fjerner stiksavklingen fra arbejdsemnet.**
12. **Undlad at berøre stiksavklingen eller arbejdsemnet umiddelbart efter anvendelse; De kan være ekstremt varme og kan forårsage forbrænding af huden.**
13. **Anvend ikke maskinen unødigt uden belastning.**
14. **Nogle materialer indeholder kemikalier, der kan være giftige.** Sørg for at undgå at indånde støv samt kontakt med huden. Overhold materialeleverandørens sikkerhedsdata.
15. **Anvend altid korrekt støvmaske/ånde-rætsvørn i henhold til det materiale og den anvendelse, De arbejder med.**

GEM DISSE FORSKRIFTER.

⚠ ADVARSEL: LAD IKKE bekvemmelighed eller kendskab til produktet (opnået gennem gentagen brug) forhindre, at sikkerhedsforskrifterne for produktet nøje overholdes. MISBRUG eller forsømmelse af at følge de i denne brugsvejledning givne sikkerhedsforskrifter kan medføre alvorlig personskade.

Vigtige sikkerhedsinstruktioner for akkuen

1. **Læs alle instruktioner og advarselsmærkater på (1) akku-opladeren, (2) akkuen og (3) produktet, som anvender akku.**
2. **Adskil eller ændr ikke akkuen.** Det kan muligvis resultere i en brand, overdreven varme eller eksplosion.
3. **Hold straks op med anvendelsen, hvis brugstiden er blevet stærkt afkortet.** Fortsat anvendelse kan resultere i risiko for overophedning, forbrændinger og endog eksplosion.
4. **Hvis De har fået elektrolytvæske i øjnene, skal De straks skylle den ud med rent vand og derefter øjeblikkeligt søge lægehjælp.** I modsat fald kan De miste synet.
5. **Vær påpasselig med ikke at komme til at kortslutte akkuen:**
 - (1) **Rør ikke ved terminalerne med noget ledende materiale.**
 - (2) **Undgå at opbevare akkuen i en beholder sammen med andre genstande af metal, for eksempel søm, mønter og lignende.**
 - (3) **Udsæt ikke akkuen for vand eller regn.**

Kortslutning af akkuen kan forårsage en kraftig øgning af strømmen, overophedning, mulige forbrændinger og endog værktøjstop.

- Opbevar og brug ikke maskinen og akkuen på steder, hvor temperaturen muligvis kan nå eller overstige 50 °C.
- Lad være med at brænde akkuen, selv ikke i tilfælde, hvor den har lidt alvorlig skade eller er fuldstændig udtjent. Akkuen kan eksplodere, hvis man forsøger at brænde den.
- Slå ikke søm i, skær ikke i, knus, kast, tab ikke akkuen og stød ikke akkuen mod en hård genstand. Sådanne adfærd kan muligvis resultere i en brand, overdreven varme eller eksplosion.
- Anvend ikke en beskadiget akku.
- De indbyggede litium-ion-batterier er underlagt lovkrav vedrørende farligt gods. Ved kommerciel transport, f.eks. af tredjeparts transportselskaber, skal særlige krav til forpakning og mærkning overholdes. Ved forberedelse af udstyret til forsendelse skal du kontakte en ekspert i farligt gods. Overhold også eventuel mere detaljeret national lovgivning. Tape eller tildæk åbne kontakter, og pak batteriet på en måde, så det ikke kan flytte sig rundt i pakningen.
- Når akkuen bortskaftes, skal du fjerne den fra maskinen og bortskaft den på et sikkert sted. Følg de lokale love vedrørende bortskaftelsen af batterier.
- Brug kun batterierne med de produkter, som Makita specificerer. Hvis batterierne installeres i ikke-kompatible produkter, kan det medføre brand, kraftig varme, eksplosion eller udsivning af elektrolyt.
- Hvis maskinen ikke skal bruges i længere tid ad gangen, skal du fjerne batteriet fra maskinen.
- Akkuen kan muligvis under og efter brug være varm, hvilket kan forårsage forbrændinger eller lavtemperaturforbrændinger. Vær påpasselig med håndtering af varme akkuer.
- Rør ikke terminalen på maskinen straks efter brug, da den bliver varm nok til at forårsage forbrændinger.
- Sørg for, at spåner, støv eller jord ikke sætter sig fast i akkuens terminaler, huller og riller. Det kan forårsage opvarmning, antændelse, sprængning og funktionsfejl i maskinen eller akkuen, hvilket kan medføre forbrændinger eller personskade.
- Medmindre maskinen understøtter brugen i nærheden af elektriske højspændingsledninger, skal du ikke anvende akkuen i nærheden af elektriske højspændingsledninger. Det kan muligvis medføre funktionsfejl på eller nedbrud af maskinen eller akkuen.
- Opbevar batteriet utilgængeligt for børn.

GEM DENNE BRUGSANVISNING.

⚠FORSIGTIG: Brug kun originale batterier fra Makita. Brug af uoriginale Makita-batterier, eller batterier som er blevet ændret, kan muligvis medføre brud på batteriet, hvilket kan forårsage brand, personskade eller beskadigelse. Det ugyldiggør også Makita-garantien for Makita-maskinen og opladeren.

Tips til opnåelse af maksimal akku-levetid

- Oplad akkuen, inden den er helt afladet. Stop altid værktøjet, og oplad akkuen, hvis De bemærker, at værktøjeffekten er aftagende.
- Genoplad aldrig en fuldt opladet akku. Overopladning vil afkorte akkuens levetid.
- Oplad akkuen ved stuetemperatur ved 10 °C - 40 °C. Lad altid en varm akku få tid til at køle af, inden den oplades.
- Når du ikke anvender akkuen, skal du fjerne den fra maskinen eller opladeren.
- Oplad akkuen, hvis De ikke skal bruge den i længere tid (mere end seks måneder).

FUNKTIONSBESKRIVELSE

⚠FORSIGTIG: Sørg altid for at maskinen er slukket, og at akkuen er taget ud, før der udføres justering eller kontrol af funktioner på maskinen.

Isætning eller fjernelse af akkuen

⚠FORSIGTIG: Sluk altid for værktøjet, før De monterer eller fjerner akkuen.

⚠FORSIGTIG: Hold værktøjet og akkuen fast ved montering eller fjernelse af akkuen. Hvis De ikke holder værktøjet og akkuen fast, kan de glide ud af hænderne på Dem og forårsage beskadigelse af værktøjet og akkuen eller personskade.

► Fig.1: 1. Rød indikator 2. Knap 3. Akku

Akkuen fjernes ved, at De trækker den ud af værktøjet, idet De skyder knappen på forsiden af akkuen i stilling.

For at montere akkuen skal du justere tungen på akkuen med rillen i huset og skubbe den på plads. Indsæt den hele vejen, indtil den låses på plads med et lille klik. Hvis du kan se den røde indikator, som vist i figuren, er den ikke helt låst.

⚠FORSIGTIG: Monter altid akkuen helt, indtil den røde indikator ikke længere er synlig. Hvis dette ikke gøres, kan den falde ud af værktøjet ved et uheld, hvorved De selv eller personer i nærheden kan komme til skade.

⚠FORSIGTIG: Brug ikke magt ved montering af akkuen. Hvis akkuen ikke glider på plads uden problemer, betyder det, at den ikke sættes i på korrekt vis.

Indikation af den resterende batteriladning

Tryk på kontrolknappen på akkuen for at få vist den resterende batteriladning. Indikatorlampen lyser i nogle sekunder.

► **Fig.2:** 1. Indikatorlamper 2. Kontrolknop

Indikatorlamper			Resterende ladning
Tændt	Slukket	Blinker	
■	□	▬	75% til 100%
■ ■ ■ ■			
■ ■ ■ ■	□		50% til 75%
■ ■ ■ ■	□ □		25% til 50%
■ ■ ■ ■	□ □ □ □		0% til 25%
▬	□ □ □ □		Genoplad batteriet.
■ ■ ■ ■	□ □ □ □	↑ ↓	Der er muligvis fejl i batteriet.

BEMÆRK: Afhængigt af brugsforholdene og den omgivende temperatur kan indikationen afvige en smule fra den faktiske ladning.

BEMÆRK: Den første indikatorlampe (længst mod venstre) vil blinke, når batteribeskyttelsessystemet aktiveres.

Beskyttelsessystem til værktøj/batteri

Maskinen er udstyret med et beskyttelsessystem til maskinen/batteriet. Dette system afbryder automatisk strømmen til motoren for at forlænge maskinens og batteriets levetid. Maskinen stopper automatisk under brugen, hvis maskinen eller batteriet udsættes for et af følgende forhold:

Overbelastningsbeskyttelse

Hvis batteriet bruges på en måde, der får det til at trække en unormalt høj strøm, stopper maskinen automatisk uden indikation. Sluk i så fald for maskinen, og stop den anvendelse, der medførte overbelastningen af maskinen. Tænd derefter for maskinen for at starte igen.

Beskyttelse mod overophedning

Hvis maskinen eller batteriet er overophedet, stopper maskinen automatisk, og lampen blinker. Lad i så fald maskinen og batteriet køle ned, før der tændes for maskinen igen.

Beskyttelse mod overafledning

Når batteriladningen er utilstrækkelig, stopper maskinen automatisk. Tag i så fald akkuen ud af maskinen, og oplad akkuen.

Beskyttelse mod andre årsager

Beskyttelsessystemet er også designet til andre årsager, der kan beskadige maskinen og giver maskinen mulighed for at stoppe automatisk. Benyt alle nedenstående trin for at fjerne årsagerne, når maskinen midlertidigt er blevet bragt til standsning eller sat ud af drift.

1. Sluk for maskinen, og tænd den derefter igen for at genstarte.
2. Genoplad batteriet/batterierne, eller udskift det/dem med genopladet batteri/genopladede batterier.
3. Lad maskinen og batteriet/batterierne køle ned.

Hvis der ikke sker nogen forbedring ved at gen-danne beskyttelsessystemet, kontaktes det lokale Makita-servicecenter.

Valg af skæremåde

Denne maskine kan anvendes med en roterende skæremåde eller i en lige linje (op og ned). Den roterende skæremåde kaster stiksavklingen fremad og øger skærehastigheden.

► **Fig.3:** 1. Omskifter til valg af skæremåde

Hvis du vil ændre skæremåden, skal du dreje omskifteren til valg af skæremåde til den ønskede skæremådeposition. Se tabellen for at vælge den egnede skæremåde.

Position	Skæremåde	Anvendelser
0	Lige skæremåde	Til skæring i almindeligt stål, rustfrit stål og plast. Til rene snit i træ og krydsfiner.
I	Skæremåde med lille penduludsving	Til skæring i almindeligt stål, aluminium og hårdt træ.
II	Skæremåde med middelstort penduludsving	Til skæring i træ og krydsfiner. Til hurtig skæring i aluminium og almindeligt stål.
III	Skæremåde med stort penduludsving	Til hurtig skæring i træ og krydsfiner.

Tænding af lampen foran

⚠FORSIGTIG: Kig aldrig direkte på lyskilden. Lad ikke lyset falde i Deres øjne.

Tryk på låsekontakten for at tænde lampen. Tryk på låsekontakten igen for at slukke lampen.

► **Fig.4:** 1. Låsekontakt 2. Lampe

BEMÆRKNING: Når maskinen er overophedet, blinker lampen. Køl maskinen helt ned, før du bruger maskinen igen.

BEMÆRK: Brug en tør klud til at tørre snavset af lampens linse. Pas på ikke at ridse lampens linse, da dette muligvis kan dæmpe belysningen.

Afbryderbetjening

Tryk på låsekontakten for at tænde for maskinen. Maskinen skifter til standbytilstand. For at starte maskinen skal du trykke på TIL/standby-kontakten i standbytilstand. For at stoppe maskinen skal du trykke på TIL/standby-kontakten igen. Maskinen skifter til standbytilstand. For at slukke for maskinen skal du trykke på låsekontakten i standbytilstand.

► **Fig. 5:** 1. Låsekontakt 2. TIL/standby-kontakt

BEMÆRK: Hvis maskinen efterlades i standbytilstand i 10 sekunder uden nogen betjening, slukker maskinen automatisk, og lampen går ud.

BEMÆRK: Du kan også stoppe og slukke for maskinen ved at trykke på låsekontakten, mens maskinen er i drift.

For at sænke lampens lysstyrke skal du trykke på låsekontakten og holde den nede, når du skifter til standbytilstand. Omkring 1 sekund efter at du begynder at trykke på låsekontakten, begynder lampens lysstyrke at falde, så slip låsekontakten, når du når den ønskede lysstyrke. Den sætter også maskinen i standbytilstand. Omkring 3 sekunder efter, at du begynder at trykke på låsekontakten, minimeres lampens lysstyrke, og derefter ændres lysstyrken ikke.

BEMÆRK: Lampens lysstyrke kan ikke justeres, mens maskinen er i standbytilstand. Sluk for maskinen for at mindske lampens lysstyrke.

BEMÆRK: Der er ingen hukommelsesfunktion for lampens lysstyrke. Hvis du slukker lampen og derefter tænder den, maksimeres lampens lysstyrke hver gang.

Hastighedsvælger

► **Fig. 6:** 1. Hastighedsvælger

Maskinens hastighed kan justeres ved at dreje på hastighedsvælgeren. Du kan opnå den højeste hastighed ved 6 og den laveste hastighed ved 1. Se tabellen for at vælge den korrekte hastighed til det arbejdsemne, der skal skæres. Den korrekte hastighed kan dog variere med arbejdsemnets type eller tykkelse. Generelt vil højere hastigheder give dig mulighed for at skære arbejdsemner hurtigere, men levetiden for stik-savklingen vil blive reduceret.

Arbejdsemne	Tal
Træ	4 - 6
Almindeligt stål	3 - 6
Rustfrit stål	3 - 4
Aluminium	3 - 6
Plastik	1 - 4

BEMÆRKNING: Hastighedsvælgeren kan kun drejes så langt som 6 og tilbage til 1. Undlad at tvinge den forbi 6 eller 1, da hastighedsjusteringsfunktionen muligvis ikke længere fungerer.

Elektronisk funktion

Maskinen er udstyret med elektroniske funktioner for nem betjening.

Blød start

Funktionen blød start minimerer startstød, og får maskinen til at starte problemfrit.

Konstant hastighedskontrol

Elektronisk hastighedskontrol til opnåelse af konstant hastighed. Det er muligt at få en pæn finish, fordi rotationshastigheden holdes konstant, selv under belastningsforhold.

Blød rotation uden belastning

Når hastighedsvælgeren er indstillet til "3" eller højere, reducerer maskinen automatisk hastigheden uden belastning for at reducere vibrationen og nemt justere stiksavklingen med skærelinjen. Når maskinen begynder at skære i arbejdsemnet, øges maskinens hastighed og når den forudindstillede hastighed.

BEMÆRK: Hvis temperaturen er lav, er denne funktion muligvis ikke tilgængelig. Denne funktion er muligvis heller ikke tilgængelig afhængigt af materialetypen.

BEMÆRK: Hvis hastigheden ikke falder efter skæring af arbejdsemnet, skal du slukke for maskinen og derefter tænde den igen.

Deaktivering eller aktivering af funktionen til blød rotation uden belastning

Følg nedenstående trin for at deaktivere eller aktivere funktionen til blød rotation uden belastning.

1. Sørg for, at maskinen er slukket.
2. Indstil hastighedsvælgeren til "1".
3. Tryk på låsekontakten for at tænde maskinen.
4. Drej hastighedsvælgeren til "6", og sæt den derefter tilbage til "1".

Lampen blinker to gange, når funktionen til blød rotation uden belastning er deaktiveret eller aktiveret. Udfør den samme procedure igen for at aktivere eller deaktivere denne funktion igen.

BEMÆRK: Hvis funktionen til blød rotation uden belastning er deaktiveret, blinker lampen to gange, når maskinen tændes.

BEMÆRK: Du kan også deaktivere eller aktivere funktionen til blød rotation uden belastning ved at ændre hastighedsvælgeren til "6" - "1" - "6".

Elektrisk bremse

Denne maskine er udstyret med en elektrisk bremse. Hvis maskinen konsekvent undlader at stoppe hurtigt, efter at afbryderknappen slippes, skal der udføres service på maskinen hos et Makita-servicecenter.

SAMLING

⚠FORSIGTIG: Sørg altid for at maskinen er slukket, og at akkuen er taget ud, før der udføres noget arbejde på maskinen.

Montering eller afmontering af stiksavklingen

⚠FORSIGTIG: Rens altid alle spåner eller fremmedlegemer, der klæber til stiksavklingen og/eller klingeholderen. Hvis dette ikke sker, kan det medføre en utilstrækkelig tilspænding af stiksavklingen, hvilket kan medføre alvorlig personskade.

⚠FORSIGTIG: Undlad at berøre stiksavklingen eller arbejdsemnet umiddelbart efter anvendelse. De kan være meget varme og forårsage forbrænding af huden.

⚠FORSIGTIG: Fastgør altid stiksavklingen ordentligt. Utilstrækkelig tilspænding af stiksavklingen kan forårsage brud på klingens eller alvorlig personskade.

⚠FORSIGTIG: Når du afmonterer stiksavklingen, skal du passe på ikke at skære fingrene på toppen af stiksavklingen eller på spidserne af arbejdsemnet.

Før du monterer stiksavklingen, skal du sørge for, at spændeåndtaget til stiksavklingen er i frigjort position. For at montere stiksavklingen skal du indsætte stiksavklingen (tænderne vender fremad) i stiksavklingeholderen, indtil den låses fast. Spændeåndtaget til stiksavklingen bevæger sig til den faste position af sig selv, og stiksavklingen er låst. Sørg for, at bagkanten af stiksavklingen passer ind i rullen. Træk let i stiksavklingen for at sikre, at stiksavklingen ikke falder af under anvendelse.

- **Fig.7:** 1. Spændeåndtag til stiksavklinge (fastgjort position) 2. Spændeåndtag til stiksavklinge (frigjort position)
- **Fig.8:** 1. Stiksavklingeholder 2. Spændeåndtag til stiksavklinge (frigjort position) 3. Stiksavklinge 4. Rulle

⚠FORSIGTIG: Undlad at åbne maskinåbneren for meget, da det ellers kan beskadige maskinen.

Hvis du vil afmontere stiksavklingen, skal du åbne maskinåbneren så langt frem, som den kan komme. Dette gør det muligt at frigøre stiksavklingen.

► **Fig.9:** 1. Stiksavklingeholder 2. Maskinåbner 3. Stiksavklinge

BEMÆRK: Hvis det er vanskeligt at afmontere stiksavklingen:

Drej omskifteren til valg af skæremåde til positionen "III", og tænd maskinen lidt flere gange, så stiksavklingeholderen bevæger sig til bunden.

Sørg for, at spændeåndtaget til stiksavklingen er i fastgjort position, når maskinen tændes.

Afmonter akkuen fra maskinen, før du monterer eller afmonterer stiksavklingen.

BEMÆRK: Smør regelmæssigt rullen.

Opbevaring af unbrakonøgle

Når unbrakonøglen ikke bruges, opbevares den som vist i figuren for at forhindre, at den bliver væk.

- **Fig.10:** 1. Sål 2. Unbrakonøgle

Dækplade

Brug dækpladen, når du skærer i dekorativ finér, plast osv. Den beskytter følsomme eller sarte overflader mod skader. Monter den i bunden af maskinens sål.

- **Fig.11:** 1. Dækplade 2. Sål

Antisplint-anordning

⚠FORSIGTIG: Antisplint-anordningen kan ikke anvendes, når der foretages skråsnit.

For splintfrie snit kan antisplint-anordningen anvendes. For at montere antisplint-anordningen skal du flytte maskinens sål hele vejen frem og montere den fra bunden af maskinens sål.

Hvis du bruger dækpladen, skal du montere antisplint-anordningen på dækpladen.

- **Fig.12:** 1. Sål 2. Antisplint-anordning

Støvdugning

Ekstraudstyr

Det anbefales at bruge støvmundstykket til at udføre rene skæringer.

For at fastgøre støvmundstykket på maskinen skal du indsætte støvmundstykkets krog i hullet i sålen.

- **Fig.13:** 1. Støvmundstykke 2. Sål

For at fastgøre støvmundstykket skal du stramme fastspændingsskruen foran på støvmundstykket. Støvmundstykket kan monteres på enten venstre eller højre side af sålen.

- **Fig.14:** 1. Fastspændingsskrue

Tilkobl derefter en Makita-støvsuger til støvmundstykket.

- **Fig.15:** 1. Støvmundstykke 2. Slange til støvsuger

ANVENDELSE

⚠FORSIGTIG: Sørg altid for, at sålen flugter med arbejdsemnet. Forsømmelse af dette kan resultere i, at stiksavklingen knækker, hvilket kan føre til alvorlig personskade.

⚠FORSIGTIG: Før maskinen meget langsomt fremad, når De skærer kurver eller ruller. Brug af magt på maskinen kan medføre en skæv skæreflade, og at stiksavklingen knækker.

Tænd for maskinen, uden at stiksavklingen har kontakt, og vent, indtil stiksavklingen opnår fuld hastighed. Læg derefter sålen fladet på arbejdsemnet, og bevæg forsigtigt maskinen fremad langs den tidligere markerede skærelinje.

- **Fig.16:** 1. Skærelinje 2. Sål

Skråsnit

⚠FORSIGTIG: Sørg altid for, at der er slukket for maskinen, og at akkuen er fjernet, før sålen vippes.

Når sålen er vippet, kan De foretage skråsnit i enhver vinkel mellem 0° og 45° (venstre eller højre).

► Fig.17

For at vippe sålen skal du løsne boltene på bunden af sålen med unbrakonøglen. Flyt sålen, så boltene er placeret i midten af den skrå åbning i sålen.

► Fig.18: 1. Unbrakonøgle 2. Bolt 3. Sål

Vip sålen, til den ønskede skråvinkel er opnået.

V-indsnittet på gearhuset angiver skråvinklen med gradinddelinger. Tilspænd derefter boltene forsvarligt for at fastgøre sålen.

► Fig.19: 1. Skrå åbning 2. Sål 3. Bolt
4. Gradinddelinger 5. V-indsnit 6. Gearhus

Snit i niveau med fronten

Løsn boltene i bunden af sålen med unbrakonøglen, og skub sålen hele vejen tilbage. Tilspænd derefter boltene for at fastgøre sålen.

► Fig.20: 1. Unbrakonøgle 2. Bolt 3. Sål

Udskæringer

Udskæringer kan foretages med en af to metoder: "Boring af et starthul" eller "Stikskæring".

Boring af et starthul

For interne udskæringer uden et indløbssnit fra kanten børes et starthul med en diameter på 12 mm eller derover. Indfør stiksavklingen i hullet for at starte snittet.

► Fig.21

Stikskæring

De behøver ikke at bore et starthul eller at foretage et indløbssnit, hvis De forsigtigt gør som følger.

► Fig.22

1. Vip værktøjet op på forkanten af sålen med spidsen af stiksavklingen placeret lige over overfladen af arbejdsemnet.
2. Tryk på maskinen, så forkanten af sålen ikke bevæger sig, når De tænder for maskinen, og sænk langsomt og forsigtigt bagenden af maskinen.
3. Når stiksavklingen trænger ind i arbejdsemnet, sænkes maskinens sålen langsomt ned på arbejdsemnets overflade.
4. Fuldfør snittet på normal vis.

Færdiggørelse af kanter

Hvis De vil beskære kanter eller foretage størrelsesjusteringer, skal De føre stiksavklingen forsigtigt langs de skarpe kanter.

► Fig.23

Skæring i metal

Ved skæring i metal bør De altid anvende et egnet kølemiddel (skæreolie). Hvis De ikke gør det, medfører det et betydeligt slid på stiksavklingen. Undersiden af arbejdsemnet kan smøres med fedt i stedet for at bruge et kølemiddel.

Parallelanslag

Ekstraudstyr

⚠FORSIGTIG: Sørg altid for, at der er slukket for maskinen, og at akkuen er fjernet, før tilbehør monteres eller fjernes.

Lige snit

Hvis De gentagne gange foretager snit af bredder på 160 mm eller mindre, sikrer brug af parallelanslaget hurtige, rene og lige snit.

► Fig.24: 1. Parallelanslag (støtteføringssæt)

For montering indsættes parallelanslaget i det firkanterede hul på siden af sålen med føringssættet vendende nedad. Før parallelanslaget til positionen for den ønskede skærebredde, og stram derefter boltene for at fastgøre det.

► Fig.25: 1. Unbrakonøgle 2. Bolt 3. Føringssæt
4. Parallelanslag (støtteføringssæt)

Cirkulære snit

Ved udskæring af cirkler eller buer med en radius på 170 mm eller derunder monteres parallelanslaget på følgende måde.

► Fig.26: 1. Parallelanslag (støtteføringssæt)

⚠FORSIGTIG: Undlad at berøre spidsen af den cirkulære føringssstift. Den skarpe spids på den cirkulære føringssstift kan forårsage personskade.

1. Indsæt parallelanslaget i det firkantede hul på siden af sålen med føringssættet vendende opad.
2. Indsæt den cirkulære føringssstift gennem et af de to huller på føringssættet. Skru knoppen med gevind på den cirkulære føringssstift for at fastgøre den cirkulære føringssstift.
- Fig.27: 1. Knop med gevind 2. Føringssæt
3. Parallelanslag (støtteføringssæt)
4. Cirkulær føringssstift 5. Bolt
3. Skub parallelanslaget til den ønskede skæreradius, og tilspænd boltene for at fastgøre det forsvarligt.

BEMÆRK: Brug altid stiksavklinger nr. B-17, B-18, B-26 eller B-27 ved skæring af cirkler eller buer.

Styreskinneadaptersæt

Ekstraudstyr

Når der skæres parallelt og med ens bredde eller ved lige snit, sikrer brug af styreskinne og styreskinneadapteren frembringelse af hurtige og rene snit. For at montere styreskinneadapteren skal du indsætte styrestangen så langt ind i det firkantede hul ind på maskinens sål, som den kan komme. Fastgør boltten forsvarligt med unbrakonøglen.

► **Fig.28:** 1. Unbrakonøgle 2. Styrestang 3. Bolt

Indsæt styrestangen i det firkantede hul ind på styreskinneadapteren, og fastgør skruen forsvarligt. Placer styreskinneadapteren på styreskinne.

► **Fig.29:** 1. Styreskinneadapter 2. Styreskinne 3. Skruer

BEMÆRKNING: Brug altid stiksavklinger nr. B-8, B-13, B-16, B-17 eller 58, når du bruger styreskinne og styreskinneadapteren.

VEDLIGEHOLDELSE

⚠FORSIGTIG: Vær altid sikker på, at værktøjet er slukket, og at akkuen er taget ud, inden De begynder at udføre inspektion eller vedligeholdelse.

BEMÆRKNING: Anvend aldrig benzin, rensebenzin, fortynder, alkohol og lignende. Det kan medføre misfarvning, deformation eller revner.

For at opretholde produktets SIKKERHED og PÅLIDELIGHED må reparation, vedligeholdelse eller justering kun udføres af et autoriseret Makita servicecenter eller fabrikksservicecenter med anvendelse af Makita reservedele.

EKSTRAUDSTYR

⚠FORSIGTIG: Det følgende tilbehør og ekstraudstyr er anbefalet til brug med Deres Makita maskine, der er beskrevet i denne brugsanvisning. Anvendelse af andet tilbehør eller ekstraudstyr kan udgøre en risiko for personskade. Anvend kun tilbehør og ekstraudstyr til det beskrevne formål.

Hvis De behøver hjælp ved valg af tilbehør eller ønsker yderligere informationer, bedes De kontakte Deres lokale Makita servicecenter.

- Stiksavklinger
- Unbrakonøgle 4
- Parallellanslagssæt (støtteføringssæt)
- Styreskinneadaptersæt
- Styreskinnesæt
- Antisplint-anordning
- Dækplade
- Støvmundstykkemontering
- Original Makita-akku og oplader

BEMÆRK: Nogle ting på denne liste kan være inkluderet i værktøjspakken som standardtilbehør. Det kan være forskellige fra land til land.

SPECIFIKĀCIJAS

Modelis:		JV001G
Gājienu garums		26 mm
Gājienu skaits minūtē		800–3 500 min ⁻¹
Asmens veids		B veids
Maks. zāģēšanas jauda	Koks	135 mm
	Mīksts tērauds	10 mm
	Alumīnijs	20 mm
Kopējais garums (ar BL4025)		283 mm
Nominālais spriegums		Līdzstrāva 36 V–40 V maks.
Neto svars		2,6–2,9 kg

- Nepārtrauktās izpētes un izstrādes programmas dēļ šeit uzrādītās specifikācijas var tikt mainītas bez brīdinājuma.
- Atkarībā no valsts specifikācijas var atšķirties.
- Svārs var būt atšķirīgs atkarībā no papildierīces (-ēm), tostarp akumulatora kasetnes. Tabulā ir attēlota vieglākā un smagākā kombinācija atbilstoši EPTA procedūrai 01/2014.

Piemērotā akumulatora kasetne un lādētājs

Akumulatora kasetne	BL4020 / BL4025 / BL4040
Lādētājs	DC40RA / DC40RB / DC40RC

- Daži no iepriekš norādītajiem lādētājiem un akumulatora kasetnēm var nebūt pieejami atkarībā no jūsu mītnes reģiona.

▲BRĪDINĀJUMS: Izmantojiet vienīgi iepriekš norādītās akumulatora kasetnes un lādētājus. Cita tipa akumulatora kasetņu un lādētāju izmantošana var radīt traumu un/vai aizdegšanās risku.

Paredzētā lietošana

Šis darbarīks ir paredzēts koka, plastmasas un metāla materiālu zāģēšanai.

Trokšņa līmenis

Tipiskais A svērtais trokšņa līmenis noteikts saskaņā ar EN62841-2-11:

Skaņas spiediena līmeni (L_{pA}): 87 dB (A)

Skaņas jaudas līmeni (L_{WA}): 98 dB (A)

Mainīgums (K): 3 dB (A)

PIEZĪME: Paziņotā trokšņa emisijas vērtība noteikta atbilstoši standarta pārbaudes metodei, un to var izmantot, lai salīdzinātu vienu darbarīku ar citu.

PIEZĪME: Paziņoto trokšņa emisijas vērtību arī var izmantot iedarbības sākotnējā novērtējumā.

▲BRĪDINĀJUMS: Lietojiet ausu aizsargus.

▲BRĪDINĀJUMS: Trokšņa emisija patiesos darba apstākļos var atšķirties no paziņotās vērtības atkarībā no darbarīka izmantošanas veida un jo īpaši atkarībā no apstrādājamā materiāla veida.

▲BRĪDINĀJUMS: Lai aizsargātu lietotāju, nosakiet drošības pasākumus, kas pamatoti ar iedarbību reālos darba apstākļos (ņemot vērā visus ekspluatācijas cikla posmus, piemēram, laiku, kamēr darbarīks ir izslēgts un kad darbojas tukšgaitā, kā arī palaides laiku).

Vibrācija

Vibrācijas kopējā vērtība (trīsasu vektora summa)

noteikta atbilstoši EN62841-2-11:

Darba režīms: plātņu zāģēšana

Vibrācijas emisija ($a_{h,B}$): 4,6 m/s²

Mainīgums (K): 2,5 m/s²

Darba režīms: skārda lokšņu griešana

Vibrācijas emisija ($a_{h,M}$): 4,8 m/s²

Mainīgums (K): 1,5 m/s²

PIEZĪME: Paziņotā kopējā vibrācijas vērtība noteikta atbilstoši standarta pārbaudes metodei, un to var izmantot, lai salīdzinātu vienu darbarīku ar citu.

PIEZĪME: Paziņoto kopējo vibrācijas vērtību arī var izmantot iedarbības sākotnējā novērtējumā.

▲BRĪDINĀJUMS: Vibrācijas emisija patiesos darba apstākļos var atšķirties no paziņotās vērtības atkarībā no darbarīka izmantošanas veida un jo īpaši atkarībā no apstrādājamā materiāla veida.

▲BRĪDINĀJUMS: Lai aizsargātu lietotāju, nosakiet drošības pasākumus, kas pamatoti ar iedarbību reālos darba apstākļos (ņemot vērā visus ekspluatācijas cikla posmus, piemēram, laiku, kamēr darbarīks ir izslēgts un kad darbojas tukšgaitā, kā arī palaides laiku).

Atbilstības deklarācijas

Tikai Eiropas valstīm

Atbilstības deklarācijas šajā lietošanas rokasgrāmatā ir iekļautas kā A pielikums.

DROŠĪBAS BRĪDINĀJUMI

Vispārīgi elektrisko darbarīku drošības brīdinājumi

▲BRĪDINĀJUMS Izlasiet visus drošības brīdinājumus, norādījumus un tehniskos datus un izpētiet ilustrācijas, kas iekļautas šā elektriskā darbarīka komplektā. Neievērojot visus tālāk minētos noteikumus, iespējams elektriskās strāvas triecienu, aizdegšanās un/vai smagu traumu risks.

Glabājiet visus brīdinājumus un norādījumus, lai varētu tajos ieskatīties turpmāk.

Termins „elektrisks darbarīks” brīdinājumos attiecas uz tādu elektrisko darbarīku, ko darbina ar elektrību (ar vadu), vai tādu, ko darbina ar akumulatoru (bez vada).

Drošības brīdinājumi bezvada figūrzāģa lietošanai

1. Strādājot turiet mehānisko darbarīku aiz izolētājam satveršanas virsmām, ja griezējinstrumenti varētu saskarties ar neredzamu elektroinstalāciju. Griezējinstrumentam saskaroties ar vadu zem sprieguma, spriegums var tikt pārnest uz mehāniskā darbarīka metāla daļām, un, iespējams, radīt operatoram elektrotraumu.
2. Ar skavām vai citā praktiskā veidā nostipriniet apstrādājamo materiālu un atbalstiet pret stabilu platformu. Turot materiālu ar roku vai pie sava ķermeņa, tas ir nestabilā stāvoklī, un jūs varat zaudēt kontroli pār to.
3. Vienmēr lietojiet aizsargbrilles. Parastās brilles vai saulesbrilles NAV aizsargbrilles.
4. Negrieziet naglas. Pirms sākt darbu pārbaudiet, vai apstrādājamajā materiālā nav naglas, un tās izņemiet.
5. Negrieziet pārāk lielu apstrādājamo materiālu.
6. Pirms zāģēšanas pārbaudiet, vai apstrādājamo materiālu ir pietiekams attālums, lai figūrzāģa asmens nepieskartos grīdai, darbagaldam u. c.

7. Darbarīku turiet cieši.
8. Pirms slēdža ieslēgšanas pārliecinieties, ka figūrzāģa asmens nepieskaras apstrādājamajam materiālam.
9. Netuviniet rokas kustīgajām daļām.
10. Neatstājiet darbarīku ieslēgtu. Darbarīku darbiniet vienīgi tad, ja turat to rokās.
11. Pirms figūrzāģa asmens izņemšanas no apstrādājamā materiāla vienmēr jāizslēdz darbarīks un jānogaida, līdz asmens pavisam apstājas.
12. Nepieskarieties figūrzāģa asmenim vai apstrādājamajam materiālam tūlīt pēc darba veikšanas; tie var būt ļoti karsti un apdedzināt ādu.
13. Lieki nedarbiniet darbarīku bez slodzes.
14. Daži materiāli satur ķīmiskas vielas, kas var būt toksiskas. Izvairieties no putekļu ieelpošanas un to nokļūšanas uz ādas. Ievērojiet materiāla piegādātāja drošības datus.
15. Vienmēr izmantojiet materiālam un konkrētām gadījumam piemērotu putekļu masku/respiratoru.

SAGLABĀJIET ŠOS NORĀDĪJUMUS.

▲BRĪDINĀJUMS: NEPIEĻAUJIET to, ka labu iemaņu vai izstrādājuma labas pārziņāšanas (darbarīku atkārtoti ekspluatējot) rezultātā vairs stingri neievērojat šī izstrādājuma drošības noteikumus. NEPAREIZI LIETOJOT darbarīku vai neievērojot šajā instrukciju rokasgrāmatā minētos drošības noteikumus, var tikt gūtas smagas traumas.

Svarīgi drošības norādījumi par akumulatora kasetni

1. Pirms akumulatora lietošanas izlasiet visus norādījumus un brīdinājumus, kuri attiecas uz (1) akumulatora lādētāju, (2) akumulatoru un (3) ierīci, kurā tiek izmantots akumulators.
2. Akumulatora kasetni nedrīkst ne pārveidot, ne izjaukt. Citādi var tikt izraisīta aizdegšanās, pārmerīgs karstums vai sprādziens.
3. Ja akumulatora darbības laiks kļūva ievērojami īsāks, nekavējoties pārtrauciet to izmantot. Citādi, tas var izraisīt pārkarsējumu, uzliesmojumu vai pat sprādzienu.
4. Ja elektrolīts nonāk acīs, izskalojiet tās ar tīru ūdens un nekavējoties griezieties pie ārsta. Tas var izraisīt redzes zaudēšanu.
5. Neradiet īssavienojumu akumulatora kasetnē:
 - (1) Nepieskarieties spailēm ar elektrību vadošiem materiāliem.
 - (2) Neuzglabājiet akumulatoru kasetni kopā ar citiem metāla priekšmetiem, tādiem kā naglas, monētas u. c.
 - (3) Nepakļaujiet akumulatora kasetni ūdens vai lietus iedarbībai.Akumulatora īssavienojums var radīt spēcīgu strāvas plūsmu, pārkarsānu, uzliesmojumu un pat sabojāt akumulatoru.
6. Neglabājiet neizmantojiet darbarīku un akumulatora kasetni vietās, kur temperatūra var sasniegt vai pārsniegt 50 °C (122 °F).

7. Nededziniet akumulatora kasetni, pat ja tā ir stipri bojāta vai pilnībā nolietota. Akumulatora kasetne ugunī var eksplodēt.
8. Akumulatora kasetni nedrīkst naglot, griezt, saspīest, mest vai nometst, kā arī pa to nedrīkst sist ar cietu priekšmetu. Šādas darbības var izraisīt aizdegšanos, pārmērīgu karstumu vai sprādzienu.
9. Neizmantojiet bojātu akumulatoru.
10. Uz izmantotajiem litiņa jonu akumulatoriem attiecas likumdošanas prasības par bīstamiem izstrādājumiem.
Komerציālā transportēšanā, ko veic, piemēram, trešās puses, transporta uzņēmumi, jāievēro uz iesaiņojuma un marķējuma norādītās īpašās prasības.
Lai izstrādājumu sagatavotu nosūtīšanai, jāsaziņās ar bīstamo materiālu speciālistu. Ievērojiet arī citus attiecināmos valsts normatīvus.
Valējus kontaktus nosedziet ar līmlenti vai citādi pārklājiet, bet akumulatoru iesaiņojiet tā, lai sainītas nevarētu izkustēties.
11. Lai utilizētu akumulatora kasetni, izņemiet to no darbarīka un likvidējiet drošā vietā. Ievērojiet vietējos noteikumus par akumulatora likvidēšanu.
12. Izmantojiet šos akumulatorus tikai ar izstrādājumiem, kuros norādījis Makita. Ievietojot šos akumulatorus nesaderīgos izstrādājumos, var rasties ugunsgrēks, pārmērīgs karstums, tie var uzsprāgt vai no tiem var iztecēt elektrolīts.
13. Ja darbarīks netiks lietots ilgu laiku, no tā jāizņem akumulators.
14. Lietošanas laikā vai pēc tās akumulatora kasetne var uzkrāt siltumu, kas var izraisīt apdegumus vai zemas temperatūras apdegumus. Ar karstu akumulatora kasetni apejieties rūpīgi.
15. Nepieskarieties darbarīka izvadam uzreiz pēc lietošanas, jo tas var būt sakarsis un izraisīt apdegumus.
16. Neļaujiet akumulatora kasetnes spaiļēs, atverēs un rievās uzkrāties skaidām, putekļiem vai netīrumiem. Tas var izraisīt sasilšanu, aizdegšanos, sprādzienu un instrumenta vai akumulatora kasetnes nepareizu darbību, un lietotājs var gūt apdegumus vai ievainojumus.
17. Neizmantojiet akumulatora kasetni augstsprieguma līniju tuvumā, izņemot gadījumus, kad darbarīks ir piemērots lietošanai augstsprieguma līniju tuvumā. Citādi darbarīks vai akumulatora kasetne var sākt darboties nepareizi vai tikt sabojāti.
18. Glabājiet akumulatoru bērniem nepieejamā vietā.

SAGLABĀJIET ŠOS NORĀDĪJUMUS.

⚠UZMANĪBU: Lietojiet tikai oriģinālos Makita akumulatorus. Ja lietojat neoriģinālus Makita akumulatorus vai pārveidotus akumulatorus, tie var uzsprāgt un izraisīt aizdegšanos, traumas un materiālos zaudējumus. Tiks anulēta arī Makita darbarīka un lādētāja garantija.

Ieteikumi akumulatora kalpošanas laika pagarināšanai

1. Uzlādējiet akumulatora kasetni, pirms tā ir pilnībā izlādējusies. Vienmēr, kad ievērojat, ka darbarīka darba jauda zudusi, apturiet darbarīku un uzlādējiet akumulatora kasetni.
2. Nekad neuzlādējiet pilnībā uzlādētu akumulatora kasetni. Pārmērīga uzlāde saīsina akumulatora kalpošanas laiku.
3. Uzlādējiet akumulatora kasetni istabas temperatūrā 10 °C - 40 °C. Karstai akumulatora kasetnei pirms uzlādes ļaujiet atdzist.
4. Kad akumulatora kasetne netiek izmantota, izņemiet to no darbarīka vai lādētāja.
5. Uzlādējiet litiņa jonu akumulatora kasetni, ja to ilgstoši nelietosit (vairāk nekā sešus mēnešus).

FUNKCIJU APRAKSTS

⚠UZMANĪBU: Pirms darbarīka regulēšanas vai tā darbības pārbaudes vienmēr pārliecinieties, ka darbarīks ir izslēgts un akumulatora kasetne ir izņemta.

Akumulatora kasetnes uzstādīšana un izņemšana

⚠UZMANĪBU: Vienmēr pirms akumulatora kasetnes uzstādīšanas vai noņemšanas izslēdziet darbarīku.

⚠UZMANĪBU: Uzstādot vai izņemot akumulatora kasetni, darbarīku un akumulatora kasetni turiet cieši. Ja darbarīku un akumulatora kasetni netur cieši, tie var izkrist no rokām un radīt bojājumus darbarīkam un akumulatora kasetnei, kā arī izraisīt ievainojumus.

- **Att. 1:** 1. Sarkanās krāsas indikators 2. Poga 3. Akumulatora kasetne

Lai izņemtu akumulatora kasetni, izvelciet to no darbarīka, pārbīdot kasetnes priekšpusē esošo pogu.

Lai uzstādītu akumulatora kasetni, salāgojiet akumulatora kasetnes mēlīti ar rievu ietvarā un iebīdiet to vietā. Ievietojiet to līdz galam, līdz tā ar klikšķi nofiksējas. Ja redzams attēlā parādītais sarkanās krāsas indikators, tas nozīmē, ka tas nav pilnīgi nofiksēts.

⚠UZMANĪBU: Vienmēr ievietojiet akumulatora kasetni tā, lai sarkanais indikators nebūtu redzams. Pretējā gadījumā tā var nejauši izkrist no darbarīka un izraisīt jums vai apkārtējiem traumas.

⚠UZMANĪBU: Neievietojiet akumulatora kasetni ar spēku. Ja kasetne neslīd ietvarā viegli, tā nav pareizi ielikta.

Atlikušās akumulatora jaudas indikators

Nospiediet akumulatora kasetnes pārbaudes pogu, lai pārbaudītu akumulatora atlikušo uzlādes līmeni. Indikatori iedegsies uz dažām sekundēm.

► **Att.2:** 1. Indikatora lampas 2. Pārbaudes poga

Indikatora lampas			Atlikusī jauda
lededzies	Izslēgts	Mirgo	
			No 75% līdz 100%
			No 50% līdz 75%
			No 25% līdz 50%
			No 0% līdz 25%
			Uzlādējiet akumulatoru.
			Iespējama akumulatora kļūme.

PIEZĪME: Reālā jauda var nedaudz atšķirties no norādītās atkarībā no lietošanas apstākļiem un apkārtējās temperatūras.

PIEZĪME: Akumulatora aizsardzības sistēmas darbības laikā mirgo pirmais (kreisais malējais) indikators.

Darbarīka/akumulatora aizsardzības sistēma

Darbarīkam ir darbarīka/akumulatora aizsardzības sistēma. Šī sistēma automātiski izslēdz strāvas padevi motoram, lai pagarinātu darbarīka un akumulatora darbību. Lietošanas laikā darbarīks automātiski pārstās darboties, ja darbarīku vai akumulatoru pakļaus kādam no šādiem apstākļiem.

Aizsardzība pret pārslodzi

Ja akumulatoru lieto tā, ka tas patērē pārmērīgi lielu strāvas daudzumu, darbarīks automātiski pārstāj darboties bez jebkādas norādes. Šādā gadījumā izslēdziet darbarīku un pārtrauciet darbību, kas izraisīja darbarīka pārslodzi. Tad ieslēdziet darbarīku, lai atsāktu darbu.

Aizsardzība pret pārkaršanu

Ja darbarīks vai akumulators ir pārkaris, darbarīks automātiski izslēdzas un sāk mirgot lampa. Šādā gadījumā ļaujiet darbarīkam un akumulatoram atdzist un tikai tad atkal ieslēdziet darbarīku.

Aizsardzība pret akumulatora pārmērīgu izlādi

Ja akumulatora jaudas līmenis ir zems, darbarīks automātiski pārstāj darboties. Šajā gadījumā akumulatoru izņemiet no darbarīka un uzlādējiet.

Aizsardzība pret citiem cēloņiem

Aizsardzības sistēma ir paredzēta arī pret citiem cēloņiem, kas varētu radīt darbarīka bojājumus, un nodrošina automātisku darbarīka apturēšanu. Ja darbarīka darbība ir īslaicīgi apstājusies vai tas pārstājis darboties, veiciet visas tālāk norādītās darbības, lai novērstu cēloņus.

1. Izsēdziet un ieslēdziet darbarīku, lai to no jauna iedarbinātu.
2. Uzlādējiet akumulatoru(-s) vai nomainiet to(-s) ar uzlādētu(-iem) akumulatoru(-iem).
3. Ļaujiet darbarīkam un akumulatoram(-iem) atdzist.

Ja pēc aizsardzības sistēmas atjaunošanas nav uzlabojumu, sazinieties ar vietējo Makita tehniskās apkopes centru.

Zāģēšanas režīma izvēle

Šo instrumentu var izmantot riņķveida kustības vai taisnvirziena (augšup, lejup) zāģēšanai. Zāģējot riņķveida trajektorijā, asmens tiek spiests uz priekšu, palielinot zāģēšanas ātrumu.

► **Att.3:** 1. Zāģēšanas darbības maiņas svira

Lai mainītu zāģēšanas režīmu, pagrieziet zāģēšanas režīma maiņas sviru vēlamā zāģēšanas režīma stāvoklī. Lai izvēlētos pareizo zāģēšanas režīmu, skatiet tabulu.

Stāvoklis	Zāģēšanas darbība	Lietojums
0	Zāģēšana taisnā līnijā	Miksta tērauda, nerūsējošā tērauda un plastmasas griešanai. Precīziem griezumiem kokā un finierī.
I	Neliela griešana ekscentra režīmā	Miksta tērauda, alumīnija un cietkoksnes griešanai.
II	Vidēja lieluma ekscentra griešana	Koka un finiera zāģēšanai. Ātrai iegriešanai alumīnijā un mīkstā tēraudā.
III	Liela ekscentra griešana	Ātrai iegriešanai kokā un finierī.

Priekšējās lampas ieslēgšana

⚠UZMANĪBU: Neskatieties gaismā, neļaujiet tās avotam iespīdēt acīs.

Lai ieslēgtu lampu, nospiediet bloķēšanas slēdzi. Lai izslēgtu lampu, vēlreiz nospiediet bloķēšanas slēdzi.

► **Att.4:** 1. Bloķēšanas slēdzis 2. Lampa

IEVĒRĪBA! Ja darbarīks ir pārkaris, lampiņa mirgo. Pirms atsākat darbu, pilnībā atdzesējiet darbarīku.

PIEZĪME: Ar sausu lupatīņu notīriet netīrumus no lampas lēcas. Izvairieties saskrāpēt lampas lēcu, jo tādējādi tiek samazināts apgaismojums.

Slēdža darbība

Lai ieslēgtu darbarīku, nospiediet bloķēšanas slēdzi. Darbarīks pārslēdzas gaidstāves režīmā. Lai ieslēgtu darbarīku, gaidstāves režīmā nospiediet iesl./gaidstāves slēdzi. Lai apturētu darbarīku, vēlreiz nospiediet iesl./gaidstāves slēdzi. Darbarīks pārslēdzas gaidstāves režīmā. Lai izslēgtu darbarīku, gaidstāves režīmā nospiediet bloķēšanas slēdzi.

► **Att.5:** 1. Bloķēšanas slēdzis 2. Iesl./gaidstāves slēdzis

PIEZĪME: Ja ar darbarīku gaidstāves režīmā 10 sekundes netiek veiktas nekādas darbības, tas automātiski izslēdzas un lampa izdziest.

PIEZĪME: Darbarīku var arī apturēt un izslēgt, tā darbības laikā nospiežot bloķēšanas slēdzi.

Lai samazinātu lampas spīgtumu, turiet nospiestu bloķēšanas slēdzi, pagriežot to gaidstāves režīmā. Apmēram 1 sekundi pēc tam, kad nospiests bloķēšanas slēdzis, lampas spīgtums sāk samazināties. Atļaidiet bloķēšanas slēdzi, kad ir sasniegts vēlamo spīgtums. Tas arī pārslēdz darbarīku gaidstāves režīmā. Apmēram 3 sekundes pēc tam, kad nospiests bloķēšanas slēdzis, lampas spīgtums sasniedz minimumu un vairs nemainās.

PIEZĪME: Lampas spīgtumu nevar regulēt, kamēr darbarīks ir gaidstāves režīmā. Izslēdziet darbarīku, lai samazinātu lampas spīgtumu.

PIEZĪME: Lampas spīgtumam nav atmiņas funkcijas. Izslēdzot un pēc tam ieslēdzot lampu, tā katreiz ieslēgsies maksimālajā spīgtumā.

Ātruma regulēšanas ciparrīpa

► **Att.6:** 1. Ātruma regulēšanas ciparrīpa

Pagriežot ātruma regulēšanas ciparrīpu, var regulēt darbarīka ātrumu. Lielākais ātrums ir 6. pozīcijā, bet mazākais ātrums ir 1. pozīcijā.

Lai izvēlētos attiecīgā apstrādājamā materiāla zāģēšanai atbilstošu ātrumu, skatiet tabulu. Atbilstošais ātrums tomēr var atšķirties atkarībā no apstrādājamā materiāla veida vai biežuma. Kopumā ar lielāku ātrumu apstrādājamo materiālu var sažāģēt ātrāk, taču samazinās figūrāža asmens darbūms.

Apstrādājamais materiāls	Cipars
Koks	4 – 6
Mīksts tērauds	3 – 6
Nerūsošais tērauds	3 – 4
Alumīnijs	3 – 6
Plastmasa	1 – 4

IEVĒRĪBAI: Ātruma regulēšanas ciparrīpu var griezt tikai diapazonā no 6 līdz 1. Lai nesabojātu ātruma regulēšanas funkcijas darbību, nemēģiniet ar spēku pagriezt tālāk aiz 6 vai 1.

Elektroniskā funkcija

Lai atvieglotu lietošanu, darbarīks ir aprīkots ar elektroniskām funkcijām.

Laidena ieslēgšana

Laidena ieslēgšana mazina iedarbināšanas trīcieni, un darbarīks uzsāk darbību vienmērīgi.

Nemainīga ātruma uzturēšana

Ātruma elektroniskā vadība nemainīga ātruma nodrošināšanai. Nodrošina iespēju iegūt labi apstrādātu virsmu, jo apgriezīgu ātrums tiek saglabāts nemainīgs pat lielas slodzes apstākļos.

Laidena rotācija bez slodzes

Kad ātruma regulēšanas ciparrīpa ir pagriezta uz "3" vai lielākā ātrumā pozīcijā, darbarīks automātiski samazina bezslodzes darbības ātrumu, lai mazinātu vibrācijas un atvieglotu figūrāža asmens savietošanu ar zāģēšanas līniju. Tiklīdz darbarīks sāk zāģēt apstrādājamo materiālu, darbarīka ātrums palielinās un sasniedz iestatīto ātrumu.

PIEZĪME: Zemā temperatūrā šī funkcija var nebūt pieejama. Šī funkcija var arī nebūt pieejama atkarībā no apstrādājamā materiāla veida.

PIEZĪME: Ja pēc apstrādājamā materiāla sažāģēšanas ātrums nesamazinās, izslēdziet darbarīku un pēc tam to atkal ieslēdziet.

Laidenās rotācijas funkcijas bez slodzes atspējošana vai iespējošana

Lai atspējotu vai iespējotu laidenās rotācijas funkciju bez slodzes, veiciet tālāk norādītās darbības.

1. Pārbaudiet, vai darbarīks ir izslēgts.
2. Iestatiet ātruma regulēšanas ciparrīpu pozīcijā "1".
3. Lai ieslēgtu darbarīku, nospiediet bloķēšanas slēdzi.
4. Pagriežiet ātruma regulēšanas ciparrīpu uz "6" un pēc tam iestatiet to atpakaļ uz "1".

Lampīna divas reizes nomirgo, kad laidenās rotācijas funkcija bez slodzes tiek atspējota vai iespējota. Lai atkal iespējotu vai atspējotu šo funkciju, veiciet to pašu procedūru vēlreiz.

PIEZĪME: Ja laidenās rotācijas funkcija bez slodzes ir atspējota, tad, ieslēdzot darbarīku, lampīna divas reizes nomirgo.

PIEZĪME: Iespējams arī atspējot vai iespējot laidenās rotācijas funkciju bez slodzes, pagriežot ātruma regulēšanas ciparrīpu no pozīcijas "6" uz "1" un tad atkal uz "6".

Elektrobremze

Darbarīks ir aprīkots ar elektrobremzi. Ja darbarīks regulāri neapstājas uzreiz pēc slēdža mēlītes atlaišanas, nododiet darbarīku Makita apkopes centrā, lai to salabotu.

MONTĀŽA

⚠UZMANĪBU: Pirms darbarīka regulēšanas vai apkopes vienmēr pārlicinieties, ka darbarīks ir izslēgts un akumulatora kasetne ir izņemta.

Finierzāģa asmens uzstādīšana vai noņemšana

⚠UZMANĪBU: Vienmēr notīriet skaidas vai netīrumus, kas pieķērušies figūrzāģa asmenim un/vai tā turētājam. Pretējā gadījumā figūrzāģa asmens var kļūt vaļīgs un radīt smagas traumas.

⚠UZMANĪBU: Nepieskarieties finierzāģa asmenim vai apstrādātajam materiālam tūlīt pēc apstrādes. Tie var būt ļoti karsti un apdedzināt ādu.

⚠UZMANĪBU: Vienmēr stingri nostipriniet figūrzāģa asmeni. Nepietiekama figūrzāģa asmens nostiprināšana var izraisīt asmens salūšanu vai smagu traumu.

⚠UZMANĪBU: Izņemot finierzāģa asmeni, uzmanieties, lai nesavainotu pirkstus ar figūrzāģa asmens augšpusi vai apstrādājamā priekšmeta malām.

Pirms figūrzāģa asmens uzstādīšanas vienmēr pārlicinieties, vai asmens skavas svira ir atbrīvotā pozīcijā. Lai uzstādītu figūrzāģa asmeni, ievietojiet asmeni (ar zobiem uz priekšu) figūrzāģa asmens turētājā, līdz tas nofiksējas. Figūrzāģa asmens fiksatora svira pati no sevis pārvietojas fiksētā pozīcijā, un figūrzāģa asmens ir nofiksēts. Pārlicinieties, vai figūrzāģa asmens aizmugurējā mala ir ievietota rullītī. Viegli pavelciet figūrzāģa asmeni, lai pārbaudītu, vai figūrzāģa asmens ekspluatācijas laikā nenokritīs.

► **Att.7:** 1. Figūrzāģa asmens skavas svira (fiksēta pozīcija) 2. Figūrzāģa asmens skavas svira (atbrīvota pozīcija)

► **Att.8:** 1. Finierzāģa asmens turētājs 2. Figūrzāģa asmens skavas svira (atbrīvota pozīcija) 3. Finierzāģa asmens 4. Rullītis

⚠UZMANĪBU: Neatveriet darbarīka atvērēju pārk tālu, lai nesabojātu darbarīku.

Lai noņemtu figūrzāģa asmeni, atveriet darbarīka atvērēju līdz galam. Tādējādi figūrzāģa asmeni var atbrīvot.

► **Att.9:** 1. Finierzāģa asmens turētājs 2. Darbarīka atvērējs 3. Finierzāģa asmens

PIEZĪME: Ja ir grūti izņemt figūrzāģa asmeni, rīkojieties, kā aprakstīts tālāk.

Pagrieziet zāģēšanas režīma maiņas sviru pozīcijā "III" un vairākas reizes uz īsu brīdi ieslēdziet darbarīku tā, lai finierzāģa asmens turētājs pārvietotos līdz lejai.

Gādājiet, lai finierzāģa asmens stiprinājuma svira būtu fiksētā stāvoklī, kad ieslēdzat darbarīku.

Pirms figūrzāģa asmens uzstādīšanas un noņemšanas izņemiet no darbarīka akumulatora kasetni.

PIEZĪME: Regulāri eļļojiet veltnīti.

Sešstūru uzgriežņu atslēgas uzglabāšana

Kad sešstūru uzgriežņu atslēga netiek lietota, uzglabājiet to, kā parādīts zīmējumā, lai to nepazaudētu.

► **Att.10:** 1. Pamatne 2. Sešstūru uzgriežņatslēga

Pārsega plāksne

Izmantojiet pārsega plāksni, zāģējot dekoratīvu finieri, plastmasu u. tml. Tā pasargā jutīgas vai trauslas virsmas no bojājumiem. Uzstādiet to instrumenta pamatnes apakšā.

► **Att.11:** 1. Pārsega plāksne 2. Pamatne

Pretskabargu ierīce

⚠UZMANĪBU: Pretskabargu ierīci nevar izmantot, veicot slīpu zāģēšanu.

Lai zāģējot neuzrautu skaidas, var izmantot skaidu uzraušanas aizsargu. Lai uzstādītu skaidu uzraušanas aizsargu, pārbīdīet darbarīka pamatni līdz galam uz priekšu un ievietojiet ierīci no darbarīka pamatnes aizmugures. Izmantojot pārsega plāksni, uzstādiet pretskabargu ierīci uz pārsega plāksnes.

► **Att.12:** 1. Pamatne 2. Skaidu uzraušanas aizsargs

Putekļu savākšana

Papildu piederumi

Putekļsūcēja uzgalis ieteicams, lai veiktu tīras zāģēšanas darbības.

Lai instrumentam uzstādītu putekļsūcēja uzgali, ievietojiet putekļsūcēja uzgala āķi pamatnes atverē.

► **Att.13:** 1. Putekļsūcēja uzgalis 2. Pamatne

Lai nostiprinātu putekļsūcēja uzgali, pieskrūvējiet saspiedējskrūvi, kas atrodas putekļsūcēja uzgala priekšpusē. Putekļsūcēja uzgali var uzstādīt vai nu pamatnes kreisajā, vai labajā pusē.

► **Att.14:** 1. Saspiedējskrūve

Tad pievienojiet Makita putekļsūcēju putekļsūcēja uzgalim.

► **Att.15:** 1. Putekļsūcēja uzgalis 2. Putekļsūcēja šļūtene

EKSPLUATĀCIJA

⚠UZMANĪBU: Pamatni vienmēr turiet cieši pie apstrādājamā materiāla. Ja netur cieši, asmens var salūzt un radīt smagu traumu.

⚠UZMANĪBU: Zāģējot izliekumus vai spirāles, darbarīku virziet ļoti lēni. Spiežot darbarīku, zāģējuma virsma var kļūt slīpa, bet finierzāģa asmens — salūzt.

Ieslēdziet darbarīku, kad figūrzāģa asmens ir brīvs, un sagaidiet, līdz tas uzņem pilnu ātrumu. Tad pilnībā atbalstiet pamatni uz apstrādājamā priekšmeta un uzmanīgi virziet instrumentu pa iepriekš uzzīmēto zāģēšanas līniju.

► **Att.16:** 1. Zāģēšanas līnija 2. Pamatne

Slīpā zāģēšana

⚠UZMANĪBU: Pirms pamatnes noliekšanas vienmēr pārbaudiet, vai darbarīks ir izslēgts un akumulatora kasetne ir izņemta.

Kad pamatne savvērtā, iespējams veikt slīpu griezumumu jebkurā leņķī starp 0° un 45° (pa kreisi vai pa labi).

► **Att.17**

Lai pamatni savvērtu, ar sešstūra atslēgu atskrūvējiet skrūvi, kas atrodas pamatnes apakšā. Pavirziet pamatni tā, lai skrūve atrastos pamatnes slīpās zāģēšanas iešķēluma centrā.

► **Att.18:** 1. Sešstūru uzgriežņu atslēga 2. Skrūve 3. Pamatne

Sasveriet pamatni, līdz sasniegts vēlamais leņķis. Motora korpusa ķīļa formas ierobs parāda slīpuma leņķi atbilstoši iedaļām. Tad stingri pievelciet skrūvi, lai nostiprinātu pamatni.

► **Att.19:** 1. Slīpuma sprauga 2. Pamatne 3. Skrūve 4. Iedaļas 5. Ķīļa (V) formas ierobs 6. Ierīces korpus

Priekšdaļas zāģējumi

Ar sešstūru atslēgu atļaidiet skrūvi pamatnes apakšā un pārbīdīdiet pamatni līdz galam atpakaļ. Tad pieskrūvējiet skrūvi, lai nostiprinātu pamatni.

► **Att.20:** 1. Sešstūru uzgriežņatslēga 2. Skrūve 3. Pamatne

Izgriezumi

Izzāģējumi izdarāmi divos veidos. "Sākuma atveres izurbšana" vai "iegremdēšanas zāģējums".

Sākuma urbums

Lai zāģētu materiāla vidū bez ievada zāģējuma no malas, iepriekš izurbiet sākuma urbumu vismaz 12 mm diametrā. Finierzāģa asmeni ievietojiet šajā atverē, lai sāktu zāģēt.

► **Att.21**

Iegremdēšanas griezumums

Sākuma urbums vai ievada zāģējums nav nepieciešams tad, ja rīkosities šādi.

► **Att.22**

1. Darbarīku sasveriet augšup uz pamatnes priekšējās malas, finierzāģa asmens galam atrodoties tieši virs apstrādājamā materiāla virsmas.
2. Darbarīku piespiediet tā, lai pamatnes priekšējā mala nekustētos, darbarīku ieslēdzot, tad lēni un uzmanīgi nolaidiet darbarīka aizmuguri.
3. Finierzāģa asmenim iegriezoties apstrādājamajā materiālā, lēni nolaidiet darbarīka pamatni uz materiāla virsmas.
4. Zāģējiet kā parasti.

Malu apstrāde

Lai nolīdzinātu malas vai pielāgotu kontūras, finierzāģa asmeni viegli pārlaidiet gar zāģējuma malām.

► **Att.23**

Metāla zāģēšana

Zāģējot metālu, vienmēr izmantojiet piemērotu dzesēšanas šķidrums (zāģēšanas eļļu). Ja to neizmanto, finierzāģa asmens var nozīmīgi nolietoties. Dzesēšanas šķidruma lietošanas vietā var izziest apstrādājamā materiāla apakšējo malu.

Garenzāģēšanas ierobežotājs

Papildu piederumi

⚠UZMANĪBU: Pirms papildpiederumu uzstādīšanas vai noņemšanas vienmēr pārbaudiet, vai darbarīks ir izslēgts un akumulatora kasetne ir izņemta.

Taisni zāģējumi

Atkārtoti zāģējot līdz 160 mm platumā, izmantojiet garenzāģēšanas ierobežotāju, lai griezumums būtu ātrs, tīrs un taisns.

► **Att.24:** 1. Garenzāģēšanas ierobežotājs (vadotnes lineāls)

Lai uzstādītu, zāģējuma vadotni ar leju vērstu vadotnes barjeru ievietojiet taisnstūra atverē pamatnes sānos. Zāģējuma vadotni iebīdīdiet līdz vēlamajam zāģēšanas platumā stāvoklim, tad pievelciet skrūvi, lai nostiprinātu.

► **Att.25:** 1. Sešstūru uzgriežņu atslēga 2. Skrūve 3. Garenzāģēšanas vadotne 4. Garenzāģēšanas ierobežotājs (vadotnes lineāls)

Apļveida griezumumi

Zāģējot aplus vai lokus ar rādiusu līdz 170 mm, zāģējuma vadotni uzstādiē šādi.

► **Att.26:** 1. Garenzāģēšanas ierobežotājs (vadotnes lineāls)

⚠UZMANĪBU: Nepieskarities apļa zāģēšanas vadtapas galam. Asais apļa zāģēšanas vadtapas gals var radīt traumas.

1. Zāģējuma vadotni ar augšup vērstu vadotnes barjeru ievietojiet taisnstūra atverē pamatnes sānos.
2. Ievietojiet apļa zāģēšanas vadtapu kādā no divām vadotnes barjerās atverēm. Uzskrūvējiet vītņoto rokturi uz apļa zāģēšanas vadtapas, lai nostiprinātu apļa zāģēšanas vadtapu.
- **Att.27:** 1. Vītņotais rokturis 2. Garenzāģēšanas vadotne 3. Garenzāģēšanas ierobežotājs (vadotnes lineāls) 4. Apļa zāģēšanas vadtapa 5. Skrūve
3. Iebīdīdiet zāģējuma vadotni līdz vēlamajam zāģēšanas rādiusam un pievelciet skrūvi, lai to nostiprinātu.

PIEZĪME: Zāģējot aplus vai līknes, vienmēr izmantojiet finierzāģa asmeņus Nr. B-17, B-18, B-26 vai B-27.

Vadsliedes pārejas komplekts

Papildpiederumi

Veicot paralēlu un viena platuma vai taisnu zāgēšanu, virzošās sliedes un vadsliedes pārejas izmantošana nodrošinās ātru un tīru griezumu veidošanu. Lai uzstādītu vadsliedes pāreju, ievietojiet lineāla stieni pamatnes četrstūra atverē līdz galam. Ar sešstūra atslēgu stingri pievelciet skrūvi.

► **Att.28:** 1. Sešstūru uzgriežņu atslēga 2. Lineāla stienis 3. Skrūve

Ievietojiet lineāla stieni vadsliedes pārejas četrstūra atverē un cieši pievelciet skrūvi. Novietojiet vadsliedes pāreju uz virzošās sliedes.

► **Att.29:** 1. Vadsliedes pāreja 2. Virzošā sliede 3. Skrūve

IEVĒRĪBAI: Izmantojot virzošo sliedi un vadsliedes pāreju, vienmēr izmantojiet figūrzāga asmeņus nr. B-8, B-13, B-16, B-17 vai 58.

APKOPE

⚠UZMANĪBU: Pirms darbarīka pārbaudes vai apkopes vienmēr pārliecinieties, ka darbarīks ir izslēgts un akumulatora kasetne ir izņemta.

IEVĒRĪBAI: Nekad neizmantojiet gāzoliņu, benzīnu, atšķaidītāju, spirtu vai līdzīgus šķidrumus. Tas var radīt izbalēšanu, deformāciju vai plaisas.

Lai saglabātu izstrādājuma DROŠU un UZTICAMU darbību, remontdarbus, apkopi un regulēšanu uzticiet veikt tikai Makita pilnvarotam vai rūpnīcas apkopes centram, un vienmēr izmantojiet tikai Makita rezerves daļas.

PAPILDU PIEDERUMI

⚠UZMANĪBU: Šādi piederumi un papildierīces tiek ieteiktas lietošanai ar šajā rokasgrāmatā aprakstīto Makita darbarīku. Izmantojot citus piederumus vai papildierīces, var tikt radīta trauma gūšanas bīstamība. Piederumu vai papildierīci izmantojiet tikai paredzētajam mērķim.

Ja jums vajadzīga palīdzība vai precīzāka informācija par šiem piederumiem, vērsieties savā tuvākajā Makita apkopes centrā.

- Figūrzāga asmeņi
- Sešstūru uzgriežņatslēga 4
- Garenzāgēšanas ierobežotāja (vadotnes lineāla) komplekts
- Vadsliedes pārejas komplekts
- Vadotnes sliedes komplekts
- Pretskabargu ierīce
- Pārsega plāksne
- Putekšsūcēja uzgaļa ierīce
- Makita oriģinālais akumulators un lādētājs

PIEZĪME: Daži sarakstā norādītie izstrādājumi var būt iekļauti instrumenta komplektācijā kā standarta piederumi. Tie dažādās valstīs var būt atšķirīgi.

SPECIFIKACIJOS

Modelis:		JV001G
Smūgio ilgis		26 mm
Smūgių per minutę		800–3 500 min ⁻¹
Geležties tipas		B tipas
Maks. pjovimo galia	Medis	135 mm
	Mažaanglis plienas	10 mm
	Aliuminis	20 mm
Bendrasis ilgis (su BL4025)		283 mm
Nominali įtampa		Nuolatinė 36 V – 40 V maks.
Grynasis svoris		2,6–2,9 kg

- Atliekame tęstinius tyrimus ir nuolatos tobuliname savo gaminius, todėl čia pateikiamos specifikacijos gali būti keičiamos be įspėjimo.
- Skirtingose šalyse specifikacijos gali skirtis.
- Svoris gali priklausyti nuo priedo (-ų), įskaitant akumuliatoriaus kasetę. Lengviausias ir sunkiausias deriniai pagal EPTA 2014 m. sausio mėn. procedūrą yra parodyti lentelėje.

Tinkama akumuliatoriaus kasetė ir (arba) įkroviklis

Akumuliatoriaus kasetė	BL4020 / BL4025 / BL4040
Įkroviklis	DC40RA / DC40RB / DC40RC

- Atsižvelgiant į gyvenamosios vietos regioną, kai kurios pirmiau nurodytos akumuliatoriaus kasetės ir įkrovikliai gali būti neprieinami.

⚠️ ĮSPĖJIMAS: Naudokite tik akumuliatoriaus kasetes ir įkroviklius, kurie nurodyti anksčiau. Naudojant bet kurias kitas akumuliatoriaus kasetes ir įkroviklius, gali kilti sužeidimo ir gaisro pavojus.

Numatytoji paskirtis

Šis įrankis skirtas medienai, plastikui ir metalui pjauti.

Triukšmas

Įprastas triukšmo A lygis, nustatytas pagal EN62841-2-11:

Garso slėgio lygis (L_{pA}): 87 dB (A)

Garso galios lygis (L_{WA}): 98 dB (A)

Paklaida (K): 3 dB (A)

PASTABA: Paskelbta (-os) triukšmo reikšmė (-ės) nustatyta (-os) pagal standartinį testavimo metodą ir jį galima naudoti vienam įrankiui palyginti su kitu.

PASTABA: Paskelbta (-os) triukšmo reikšmė (-ės) taip pat gali būti naudojama (-os) norint preliminariai įvertinti triukšmo poveikį.

⚠️ ĮSPĖJIMAS: Dėvėkite ausų apsaugą.

⚠️ ĮSPĖJIMAS: Faktiškai naudojant elektrinį įrankį, keliamo triukšmo dydis gali skirtis nuo paskelbtos (-ų) reikšmės (-ių), priklausomai nuo būdų, kuriais yra naudojamas šis įrankis, ir ypač nuo to, kokio tipo ruošinys apdirbamas.

⚠️ ĮSPĖJIMAS: Siekdami apsaugoti operatorių, būtinai įvertinkite saugos priemones, remdamiesi vibracijos poveikio įvertinimu esant faktinėms naudojimo sąlygoms (atsižvelgdami į visas darbo ciklo dalis, pavyzdžiui, ne tik kiek laiko įrankis veikia, bet ir kiek kartų jis yra išjungiamas bei kai jis veikia be apkravų).

Vibracija

Vibracijos bendroji vertė (trašio vektoriaus suma) nustatyta pagal EN62841-2-11 standartą:

Darbo režimas: lentų pjovimas

Vibracijos emisija ($a_{h,B}$): 4,6 m/s²

Paklaida (K): 2,5 m/s²

Darbo režimas: metalo ląkštų pjovimas

Vibracijos emisija ($a_{h,M}$): 4,8 m/s²

Paklaida (K): 1,5 m/s²

PASTABA: Paskelbta (-os) vibracijos bendroji (-osios) reikšmė (-ės) nustatyta (-os) pagal standartinį testavimo metodą ir ji galima naudoti vienam įrankiui palyginti su kitu.

PASTABA: Paskelbta (-os) vibracijos bendroji (-osios) reikšmė (-ės) taip pat gali būti naudojama (-os) norint preliminariai įvertinti vibracijos poveikį.

⚠️ ĮSPĖJIMAS: Faktiškai naudojant elektrinį įrankį, keliamos vibracijos dydis gali skirtis nuo paskelbtos (-ų) reikšmės (-ių), priklausomai nuo būdų, kuriais yra naudojamas šis įrankis, ir ypač nuo to, kokio tipo ruošinys apdirbamas.

⚠️ ĮSPĖJIMAS: Siekdami apsaugoti operatorių, būtinai įvertinkite saugos priemones, remdamiesi vibracijos poveikio įvertinimu esant faktinėms naudojimo sąlygoms (atsižvelgdami į visas darbo ciklo dalis, pavyzdžiui, ne tik kiek laiko įrankis veikia, bet ir kiek kartų jis yra išjungiamas bei kai jis veikia be apkravų).

Atitiktis deklaracijos

Tik Europos šalis

Atitiktis deklaracijos įtrauktos į šios naudojimo instrukcijos A priedą.

SAUGOS ĮSPĖJIMAI

Bendrieji įspėjimai dirbant elektriniais įrankiais

⚠️ ĮSPĖJIMAS Perskaitykite visus saugos įspėjimus, nurodymus, peržiūrėkite paveikslėlius ir technines sąlygas, pateiktas su šiuo elektriniu įrankiu. Nesilaikant toliau pateiktų nurodymų, galima patirti elektros šoką, sunkų sužalojimą ir (arba) sukelti gaisrą.

Išsaugokite visus įspėjimus ir instrukcijas, kad galėtumėte jas peržiūrėti ateityje.

Terminas „elektrinis įrankis“ pateiktuose įspėjimuose reiškia į maitinimo tinklą jungiamą (laidinį) elektrinį įrankį arba akumuliatoriaus maitinamą (belaidį) elektrinį įrankį.

Įspėjimai dėl belaidžio metalo pjūklelio saugos

1. Atlikdami darbus, kurių metu pjovimo dalys gali paliesti paslėptus laidus, laikykite elektrinį įrankį tik už izoliuotų, laikyti skirtų paviršių. Pjovimo antgaliai prisilietus prie laido, kuriuo teka elektros srovė, neizoliuotos metalinės elektrinio įrankio dalys gali sukelti elektros smūgį ir nutrenkti operatorių.
2. Ruošinį ant stabilios platformos tvirtinkite spaustuvais arba kitais parankiais būdais. Laikant ruošinį rankomis arba prispaudus prie kūno, jis yra nestabilus, todėl galite prarasti jo kontrolę.
3. Būtinai naudokite apsauginius akinius. Įprastiniai akiniai ar akiniai nuo saulės NĖRA apsauginiai akiniai.

4. Nepjaukite vinių. Prieš dirbdami apžiūrėkite, ar ruošinyje nėra vinių, ir jas išimkite.
5. Nepjaukite didelių matmenų ruošinio.
6. Prieš pjaudami patikrinkite, ar tarpas aplink ruošinį yra pakankamas, kad pjūklelis neįpjautų grindų, darbastalio ir pan.
7. Tvirtai laikykite įrankį.
8. Prieš įjungdami jungiklį patikrinkite, ar pjūklelis neličia ruošinio.
9. Žiūrėkite, kad rankos būtų kuo toliau nuo judamųjų dalių.
10. Nepalikite veikiančio įrankio. Įjungtas įrankis turi būti laikomas rankose.
11. Prieš patraukdami pjūklelį nuo ruošinio, būtinai išjunkite įrenginį ir palaukite, kol jis visiškai sustos.
12. Nelieskite pjūklelio arba ruošinio iškart po naudojimo; jie gali būti itin karšti ir nudeginti odą.
13. Be reikalo nenaudokite įrankio be apkravos.
14. Kai kuriose medžiagose yra chemikalų, kurie gali būti nuodingi. Saugokitės, kad neįkvėptumėte dulkių ir nesiliestumėte oda. Vadovaukitės medžiagų tiekėjo saugos duomenimis.
15. Atsižvelgdami į apdirbamą medžiagą ir darbo pobūdį, būtinai užsidėkite apsaugos nuo dulkių kaukę / respiratorių.

SAUGOKITE ŠIAS INSTRUKCIJAS.

⚠️ ĮSPĖJIMAS: NELEISKITE, kad patogumas ir gaminio pažinimas (įgyjamas pakartotinai naudojant) susilpnintų griežtą saugos taisyklių, taisytinių šiam gaminiui, laikymąsi. Dėl NETINKAMO NAUDOJIMO arba saugos taisyklių, kurios pateiktos šioje instrukcijoje, nesilaikymo galima rimtai susižeisti.

Svarbios saugos instrukcijos, taikomos akumuliatoriaus kasetei

1. Prieš naudodami akumuliatoriaus kasetę, perskaitykite visas instrukcijas ir perspėjimus ant (1) akumuliatorių įkroviklio, (2) akumuliatorių ir (3) akumuliatorių naudojančio gaminio.
2. Neardykite ir negadinkite akumuliatoriaus kasetės. Dėl to ji gali užsidegti, per daug įkaisti arba sprogti.
3. Jei įrankio darbo laikas žymiai sutrumpėjo, nedelsdami nutraukite darbą su įrankiu. Tai gali kelti perkaitimo, nudegimų ar net sprogdimo pavojų.
4. Jei elektrrolitas pateko į akis, plaukite jas tyru vandeniu ir nedelsdami kreipkitės į gydytoją. Gali kilti regėjimo praradimo pavojus.
5. Neužtrumpinkite akumuliatoriaus kasetės:
 - (1) Nelieskite kontaktų degiomis medžiagomis.
 - (2) Venkite laikyti akumuliatoriaus kasetę kartu su kitais metaliniais daiktais, pavyzdžiui, vinimis, monetomis ir pan.
 - (3) Saugokite akumuliatoriaus kasetę nuo vandens ir lietaus.

Trumpasis jungimas akumulatoriuje gali sukelti stiprią srovę, perkaitimą, galimus nudegimus ar net akumulatoriaus gedimą.

6. Nelaikykite ir nenaudokite įrankio ir akumulatoriaus kasetės vietose, kur temperatūra gali pasiekti ar viršyti 50 °C (122 °F).
7. Nedeginkite akumulatoriaus kasetės, net jei yra stipriai pažeista ar visiškai susidėvėjusi. Ugnyje akumulatoriaus kasetė gali sprogti.
8. Akumulatoriaus kasetės nekalkite, nepjausykite ir nemėtykite ir taip pat į ją netrankykite kietu daiktu. Taip elgiantis, ji gali užsidegti, per daug įkaisti arba sprogti.
9. Nenaudokite pažeisto akumulatoriaus.
10. Įdėtomis ličio jonų akumulatoriams taikomi Pavojingų prekių teisės akto reikalavimai. Komeracinis transportas, pvz., trečiųjų šalių, prekių vežimo atstovų, turi laikytis specialaus reikalavimo ant pakuotės ir ženklavimo. Norėdami paruošti siųstiną prekę, pasitarkite su pavojingų medžiagų specialistu. Be to, laikykitės galimai išsamesnių nacionalinių reglamentų. Užklijuokite juosta arba padenkite atvirus kontaktus ir supakuokite akumuliatorių taip, kad ji pakuotėje nejudėtų.
11. Kai išmetate akumulatoriaus kasetę, išimkite ją iš įrankio ir išmeskite saugioje vietoje. Vadovaukitės vietos reglamentais dėl akumuliatorių išmetimo.
12. Baterijas naudokite tik su „Makita“ nurodytais gaminiais. Baterijas įdėjus į netinkamus gaminius gali kilti gaisras, gaminyje pernelyg įkaisti, kilti sprogimas arba pratekėti elektrolitas.
13. Jei įrankis bus ilgą laiką nenaudojamas, akumuliatorių būtina išimti iš įrankio.
14. Darbo metu ir po akumulatoriaus kasetės gali būti įkaitusi ir dėl to nudeginti. Imdami akumulatoriaus kasetes, būkite atsargūs.
15. Tuojau pat po naudojimo nelieskite įrankio gnybtų, nes jie gali būti įkaitę tiek, kad nudegins.
16. Neleiskite, kad į akumulatoriaus kasetės gnybtus, angas ir griovelius patektų drožlių, dulkių ar žemių. Jos gali sukelti kaitimą, užsidegti, sprogti ir sukelti įrankio ar akumulatoriaus kasetės gedimą, dėl ko galima nusideginti ar susižaloti.
17. Jeigu įrankis nėra pritaikytas naudoti šalia aukštos įtampės elektros linijų, akumulatoriaus kasetės nenaudokite šalia aukštos įtampės elektros linijų. Dėl to gali sutrikti įrankio ar akumulatoriaus kasetės veikimas arba jie gali sugesti.
18. Laikykite akumuliatorių vaikams nepasiekiamoje vietoje.

SAUGOKITE ŠIAS INSTRUKCIJAS.

▲PERSPĖJIMAS: Naudokite tik originalų „Makita“ akumuliatorių. Neoriginalaus „Makita“ arba pakeisto akumulatoriaus naudojimas gali nulemti gaisrą, asmens sužalojimą ir pažeidimą. Tai taip pat panaikina „Makita“ suteikiamą „Makita“ įrankio ir įkroviklio garantiją.

Patarimai, ką daryti, kad akumuliatorių veikimą kuo ilgiau

1. Pakraukite akumulatoriaus kasetę prieš jai visiškai išsikraunant. Visuomet nustokite naudoti įrankį ir pakraukite akumulatoriaus kasetę, kai pastebite, kad įrankio galia sumažėjo.
2. Niekada nekraukite iki galo įkrautos akumulatoriaus kasetės. Perkraunant trumpėja akumulatoriaus eksploatacijos laikas.
3. Akumulatoriaus kasetę kraukite esant kambario temperatūrai 10 - 40 °C. Prieš pradėdami krauti, leiskite įkaitusiai akumulatoriaus kasetei atvėsti.
4. Kai akumulatoriaus kasetės nenaudojate, ją išimkite iš įrankio ar įkroviklio.
5. Įkraukite akumulatoriaus kasetę, jei jos nenaudojate ilgą laiką (ilgiau nei šešis mėnesius).

VEIKIMO APRAŠYMAS

▲PERSPĖJIMAS: Prieš pradėdami reguliuoti arba tikrinti įrankio veikimą, visuomet būtina išjunkite įrankį ir išimkite akumulatoriaus kasetę.

Akumulatoriaus kasetės uždėjimas ir nuėmimas

▲PERSPĖJIMAS: Prieš įdėdami arba išimdami akumulatoriaus kasetę, visada išjunkite įrankį.

▲PERSPĖJIMAS: Įdėdami arba išimdami akumulatoriaus kasetę, tvirtai laikykite įrankį ir akumulatoriaus kasetę. Jeigu įrankį ir akumulatoriaus kasetę laikysite netvirtai, jie gali išslįsti iš jūsų rankų, todėl įrankis ir akumulatoriaus kasetė gali būti sugadinti, o naudotojas sužalotas.

► **Pav.1:** 1. Raudonas sandariklis (indikatorius) 2. Mygtukas 3. Akumulatoriaus kasetė

Jei norite išimti akumulatoriaus kasetę, ištraukite ją iš įrankio, stumdami mygtuką, esantį kasetės priekyje.

Jei norite įdėti akumulatoriaus kasetę, ant akumulatoriaus kasetės esantį liežuvelį sutapdinkite su korpusu esančiu grioveliu ir įstumkite į jai skirtą vietą. Įstatykite iki pat galo, kad spragtelėdama užsifikuotų. Jeigu matote raudoną sandariklį (indikatorių), kaip parodyta paveikslėlyje, ji nėra visiškai užfiksuota.

▲PERSPĖJIMAS: Akumulatoriaus kasetę visada įkiškite iki galo, kol nebematysite raudono sandariklio (indikatoriaus) Priešingu atveju ji gali atsitiktinai iškristi iš įrankio ir sužeisti jus arba aplinkinius.

▲PERSPĖJIMAS: Nekiškite akumulatoriaus kasetės jėga. Jeigu kasetė sunkiai lenda, ją kiškite netinkamai.

Likusios akumulatoriaus galios rodymas

Paspauskite akumulatoriaus kasetės tikrinimo mygtuką, kad būtų rodoma likusi akumulatoriaus energija. Maždaug trims sekundėms užsidsęgs indikatorius lemputės.

► **Pav.2:** 1. Indikatorius lemputės 2. Tikrinimo mygtukas

Indikatorių lemputės			Likusi galia
Šviečia	Nešviečia	Blyksi	
■ ■ ■ ■	□ □ □ □	▬	75 - 100 %
■ ■ ■ □	□ □ □ □	▬	50 - 75 %
■ ■ □ □	□ □ □ □	▬	25 - 50 %
■ □ □ □	□ □ □ □	▬	0 - 25 %
▬ □ □ □	□ □ □ □	▬	Įkraukite akumulatorių.
■ ■ □ □	□ □ □ □	▬	Galimai įvyko akumulatoriaus veikimo triktis.
□ □ ■ ■	□ □ □ □	▬	

PASTABA: Rodmuo gali šiek tiek skirtis nuo faktinės energijos lygio – tai priklauso nuo naudojimo sąlygų ir aplinkos temperatūros.

PASTABA: Veikiant akumulatoriaus apsaugos sistemai ims mirksėti pirmoji (toliausiai kairėje) indikatoriaus lemputė.

Įrankio / akumulatoriaus apsaugos sistema

Įrankyje įrengta įrankio / akumulatoriaus apsaugos sistema. Ši sistema automatiškai atjungia variklio maitinimą, kad įrankis ir akumulatorius ilgiau veiktų. Įrankis automatiškai išsijungs darbo metu esant vienai iš toliau nurodytų įrankio arba akumulatoriaus darbo sąlygų:

Apsauga nuo perkrovos

Akumulatorių naudojant taip, kad susidaro neįprastai aukšta srovė, nepateikiant jokios indikacijos, įrankis automatiškai sustabdomas. Tokiu atveju išjunkite įrankį ir nutraukite darbą, dėl kurio įrankis buvo perkrautas. Tada įjunkite įrankį, kad jis būtų paleistas iš naujo.

Apsauga nuo perkaitimo

Kai įrankis ar akumulatorius perkaista, jis automatiškai išsijungia ir pradeda mirksėti lemputė. Esant šiai situacijai, leiskite įrankiui ir akumulatoriui atvėsti, prieš vėl jungdami įrankį.

Apsauga nuo visiško išekvojimo

Kai akumulatoriaus įkrovos lygis nepakankamas, įrankis automatiškai išsijungia. Tokiu atveju ištraukite akumulatorių iš įrankio ir įkraukite jį.

Apsauga nuo kitų sutrikimų

Apsaugos sistema taip pat apsaugo nuo kitų sutrikimų, galinčių pažeisti įrankį, todėl automatiškai jį išjungia. Įrankiui laikinai sustojus arba veikimo metu išsijungus, imkitės visų toliau nurodytų veiksmų ir pašalinkite sutrikimo priežastis.

1. Išjunkite įrankį, tada vėl įjunkite, kad paleistumėte iš naujo.
2. Įkraukite akumulatorių (-ius) arba jį (juos) pakeiskite įkrautu (-ais) akumulatoriumi (-iais).
3. Palaukite, kol įrankis ir akumulatorius (-iai) atvės.

Jei atstačius apsaugos sistemą veikimas nepagerėja, kreipkitės į vietos „Makita“ techninės priežiūros centrą.

Įjovimo režimo parinkimas

Su šiuo įrankiu galima pjauti lenktos arba tiesios linijos (aukštyn ir žemyn) įjovimo režimu. Pjaunant lenktos linijos įjovimo režimu pjūklelis stumiamas pirmyn ir tai padidina įjovimo greitį.

► **Pav.3:** 1. Įjovimo režimo perjungimo svirtelė

Įjovimo režimui pakeisti pasukite įjovimo režimo perjungimo svirtelę į reikiamo įjovimo režimo padėtį. Toliau pateikiama lentelė, kuri padės pasirinkti tinkamą įjovimo režimą.

Padėtis	Įjovimo režimas	Paskirtis
0	Tiesiaiegio įjovimo režimas	Skirtas mažangliam plienui, nerūdijančiam plienui ir plastikui pjauti. Skirtas medienai ir fanerai švariai pjauti.
I	Mažos amplitudės švytuoklinio įjovimo režimas	Skirtas mažangliam plienui, aliuminiui ir kietajai medienai pjauti.
II	Vidutinės amplitudės švytuoklinio įjovimo režimas	Skirtas medienai ir fanerai pjauti. Skirtas aliuminiui ir mažangliam plienui sparčiai pjauti.
III	Didelės amplitudės švytuoklinio įjovimo režimas	Skirtas medienai ir fanerai sparčiai pjauti.

Priekinės lemputės uždegimas

▲ **PERSPĖJIMAS:** Nežiūrėkite tiesiai į šviesą arba šviesos šaltinį.

Norėdami įjungti lemputę, paspauskite užrakinimo jungiklį. Norėdami išjungti lemputę, paspauskite užrakinimo jungiklį vėl.

► **Pav.4:** 1. Užrakinimo jungiklis 2. Lemputė

PASTABA: Įrankiui perkaitus, ima mirksėti lemputė. Palaukite, kol įrankis visiškai atvės, o paskui vėl tęskite darbą.

PASTABA: Purvą nuo lempos objektyvo nuvalykite sausu skudurėliu. Būkite atsargūs, kad nesubraižytumėte lempos objektyvo, nes pablogės apšvietimas.

Jungiklio veikimas

Norėdami įjungti įrankį, paspauskite užrakinimo jungiklį. Įrankis persijungia į budėjimo režimą. Norėdami paleisti įrankį, budėjimo režimu paspauskite įjungimo (budėjimo) jungiklį. Norėdami sustabdyti įrankį, dar kartą paspauskite įjungimo (budėjimo) jungiklį. Įrankis persijungia į budėjimo režimą. Norėdami išjungti įrankį, budėjimo režimu paspauskite užrakinimo jungiklį.

► **Pav.5:** 1. Užrakinimo jungiklis 2. Įjungimo (budėjimo) jungiklis

PASTABA: Jeigu prietaisui veikiant parengties režimui 10 sekundžių neatliekamas joks veiksmas, jis automatiškai išjungiamas ir lemputė užgessta.

PASTABA: Taip pat galite sustabdyti ir išjungti įrankį, paspausdami užrakinimo jungiklį, kol įrankis veikia.

Norėdami sumažinti lemputės šviesumą, paspauskite ir palaikykite užrakinimo jungiklį (perjungdami į budėjimo režimą). Praėjus maždaug 1 sekundei po užrakinimo jungiklio paspaudimo, lemputės šviesumas pradės mažėti. Pasiekę pageidaujamą šviesumą, atleiskite užrakinimo jungiklį. Be to, įrankis persijungs į budėjimo režimą. Praėjus maždaug 3 sekundėms nuo to momento, kai pradėsite spausti užrakinimo jungiklį, lemputės šviesumas bus sumažintas ir po to nebesikeis.

PASTABA: Įrankiu veikiant budėjimo režimu, lemputės šviesumo nustatyti nepavyks. Norėdami sumažinti lemputės šviesumą, išjunkite įrankį.

PASTABA: Lemputės šviesumas neįsimeinamas. Išjungus ir vėl įjungus lemputę, kaskart nustatomas didžiausias šviesumas.

Greičio reguliavimo ratukas

► **Pav.6:** 1. Greičio reguliavimo ratukas

Įrankio greitį galima reguliuoti sukant greičio reguliavimo ratuką. Nustačius ties 6, greitis bus didžiausias, o ties 1 – mažiausias.

Kaip išrinkti reikiamą ruošinio pjovimo greitį, žr. lentelėje. Vis dėlto tinkamas greitis gali priklausyti nuo ruošinio tipo ir storio. Kai greitis didesnis, ruošinys pjaunamas greičiau, tačiau taip sutrumpėja siaurapjūklio pjūklelio naudojimo laikas.

Ruošinys	Skaičius
Mediena	4–6
Mažaanglis plienas	3–6
Nerūdijantis plienas	3–4
Aliuminis	3–6
Plastikas	1–4

PASTABA: Greičio reguliavimo ratuką galima pasukti tik iki 6 ir atgal iki 1. Per jėgą nesukite jo toliau nei 6 ar 1, nes greičio reguliavimo funkcija gali nustoti veikti.

Elektroninė funkcija

Prietaise yra elektroninė funkcija paprastam naudojimui.

Švelnus paleidimas

Švelnus paleidimo funkcija maksimaliai sumažina paleidimo smūgį ir leidžia sklandžiai paleisti įrankį.

Pastovaus greičio kontrolė

Elektroninė greičio kontrolė skirta pastoviam greičiui užtikrinti. Galima tiksliai apdoroti paviršius, nes sukimosi greitis būna vienodas net esant didelei apkrovai.

Švelnus sukimasis be apkrovos

Kai greičio reguliavimo ratukas yra nustatytas ties „3“ arba aukštesne verte ir nėra apkrovos, greitis automatiškai sumažinamas, kad sumažėtų vibracija ir būtų galima lengvai sulygiuoti siaurapjūklio pjūklelį su pjovimo linija. Įrankiu pradėjus pjauti ruošinį, jo greitis ima didėti ir galiausiai pasiekia iš anksto nustatytą greitį.

PASTABA: Esant žemai temperatūrai, ši funkcija gali neveikti. Be to, ši funkcija gali neveikti atsižvelgiant į medžiagos tipą.

PASTABA: Jei greitis nesumažėja nupjovus ruošinį, išjunkite įrankį ir vėl jį įjunkite.

Švelnaus sukimosi be apkrovos išjungimas arba įjungimas

Norėdami išjungti arba įjungti švelnaus sukimosi be apkrovos funkciją, atlikite toliau nurodytus veiksmus.

1. Užtikrinkite, kad įrankis būtų išjungtas.
2. Greičio reguliavimo ratuką nustatykite ties „1“.
3. Norėdami įjungti įrankį, paspauskite užrakinimo jungiklį.
4. Pasukite greičio reguliavimo ratuką į „6“ padėtį, tada grąžinkite į „1“.

Kai švelnaus sukimosi be apkrovos funkcija išjungama arba įjungiama, lemputė sumirksi dukart. Norėdami vėl įjungti arba išjungti šią funkciją, dar kartą atlikite tą pačią procedūrą.

PASTABA: Jei švelnaus sukimosi be apkrovos funkcija išjungta, kai įrankis įjungiamas, lemputė sumirksi dukart.

PASTABA: Švelnaus sukimosi be apkrovos funkciją galite išjungti arba įjungti ir pakeisdami greičio reguliavimo ratuko nuostatą iš „6“ į „1“ ir vėl į „6“.

Elektrinis stabdiklis

Šiame įrankyje įrengtas elektrinis stabdiklis. Jeigu atleidus gaiduką įrankis nuolatos greitai neišsijungia, pristatykite jį į „Makita“ techninės priežiūros centrą, kad jį techniškai apžiūrėtų.

SURINKIMAS

⚠ PERSPĖJIMAS: Prieš darydami ką nors įrankiui visada patikrinkite, ar įrenginys išjungtas, o akumuliatorių kasetė – nuimta.

Siaurapjūklio geležtės įdėjimas arba išėmimas

⚠ PERSPĖJIMAS: Visada nuvalykite pjūvenas ar kitas medžiagas, prilipusias prie siaurapjūklio pjūklelio ir (arba) pjūklelio laikiklio. Kitaip siaurapjūklio pjūklelis bus blogai priveržtas ir dėl to žmonės gali būti smarkiai sužaloti.

⚠ PERSPĖJIMAS: Nelieskite siaurapjūklio geležtės arba ruošinio ką tik baigę pjauti. Jie gali būti labai įkaitę ir nudeginti odą.

⚠ PERSPĖJIMAS: Visada tvirtai priveržkite siaurapjūklio pjūklelį. Nepakankamai priveržus siaurapjūklį pjūklelį, šis gali lūžti arba galite sunkiai susižaloti.

⚠ PERSPĖJIMAS: Siaurapjūklio pjūklelį išimkite atsargiai, kad nesužeistumėte pirštų į jo viršutinę dalį arba ruošinio kraštus.

- Prieš montuodami siaurapjūklį pjūklelį, patikrinkite, ar pjūklelio spaustuvo svirtelė yra atlaisvinta. Norėdami įrengti siaurapjūklį pjūklelį, įstatykite jį (dantukas pirmyn) į pjūklelio laikiklį, kad užsifiksuotų. Siaurapjūklio pjūklelio prispaudimo svirtelė pati pajuda į fiksavimo padėtį ir siaurapjūklis užrakinamas. Užtikrinkite, kad galinis siaurapjūklis pjūklelio kraštas būtų tinkamai sumontuotas ant velenėlio. Šiek tiek patraukite siaurapjūklį pjūklelį, siekdami užtikrinti, kad jis darbo metu neiškristų.
- **Pav.7:** 1. Siaurapjūklis pjūklelio prispaudimo svirtelė (fiksavimo padėtis) 2. Siaurapjūklis pjūklelio prispaudimo svirtelė (atlaisvinimo padėtis)
- **Pav.8:** 1. Siaurapjūklis geležtės laikiklis 2. Siaurapjūklis pjūklelio prispaudimo svirtelė (atlaisvinimo padėtis) 3. Siaurapjūklis ašmenys 4. Velenėlis

⚠ PERSPĖJIMAS: Pernelyg neatidarykite įrankio atidarymo įtaiso, kad nesugestų įrankis.

- Norėdami išimti siaurapjūklį pjūklelį, atidarykite įrankio atidarymo įtaisą iki pat galo. Tuomet siaurapjūklis pjūklelis bus atlaisvintas.
- **Pav.9:** 1. Siaurapjūklis geležtės laikiklis 2. Įrankio atidarymo įtaisas 3. Siaurapjūklis ašmenys

PASTABA: Toliau nurodyta, ką daryti, jei sunku išimti siaurapjūklį pjūklelį.

Pasukite pjovimo režimo perjungimo svirtelę į padėtį „III“ ir kelis kartus lengvai įjunkite įrankį, kad siaurapjūklis pjūklelis pajudėtų į apačią.

Įjungdami įrankį užtikrinkite, kad siaurapjūklis pjūklelio prispaudimo svirtelė būtų fiksuotoje padėtyje.

Prieš montuodami ar nuimdami siaurapjūklį pjūklelį, išimkite akumuliatoriaus kasetę iš įrankio.

PASTABA: Ritinėlį retkarčiais sutepkite.

Šešiabriaunio rakto laikymas

Nenaudojamą šešiabriaunį raktą laikykite taip, kaip parodyta paveikslėlyje, kad nepamestumėte.

► **Pav.10:** 1. Pagrindas 2. Šešiabriaunis raktas

Dengiamoji plokštė

Naudokite dengiamąją plokštę prirėikus pjauti dekoratyvinę fanerą, plastiką ir pan. Ji saugo jautrius bei trapius paviršius nuo pažeidimų. Sumontuokite ją įrankio pagrindo apačioje.

► **Pav.11:** 1. Dengiamoji plokštė 2. Pagrindas

Nuo skilimo saugantis įtaisas

⚠ PERSPĖJIMAS: Nuo skilimo saugančio įtaiso negalima naudoti darant įstrižuosius pjūvius.

Norint atlikti švarius pjūvius be drožlių, galima naudoti nuo skilimo saugantį įtaisą. Jeigu norite įtaisyti nuo skilimo saugantį įtaisą, įrenginio pagrindą iki galo pastumkite pirmyn ir sumontuokite įtaisą iš įrenginio pagrindo apačios. Kai naudojate dengiamąją plokštę, nuo skilimo saugantį įtaisą montuokite ant dengiamosios plokštės.

► **Pav.12:** 1. Pagrindas 2. Nuo skilimo saugantis įtaisas

Dulkių ištraukimas

Pasirenkamas priedas

Tam, kad darbai būtų atliekami švariai, rekomenduojama naudoti dulkių ištraukimo antgalį.

Norėdami priveržti dulkių ištraukimo antgalį prie įrankio, įkiškite dulkių ištraukimo antgalio kablį į pagrindinę esančią kiauromę.

► **Pav.13:** 1. Dulkių ištraukimo antgalis 2. Pagrindas

Norėdami užfiksuoti dulkių ištraukimo antgalį, priveržkite prispaudimo sraigą (dulkių ištraukimo antgalio priekyje). Dulkių ištraukimo antgalį galima montuoti kairėje arba dešinėje pagrindo pusėje.

► **Pav.14:** 1. Prispaudimo sraigtas

Tada prie dulkių ištraukimo antgalio prijunkite „Makita“ dulkių siurbį.

► **Pav.15:** 1. Dulkių ištraukimo antgalis 2. Žarna (dulkių siurbliai)

NAUDOJIMAS

⚠ PERSPĖJIMAS: Pagrindą visada laikykite lygiai priglaustą prie ruošinio. Kitaip siaurapjūklis geležtė gali lūžti ir sunkiai sužaloti.

⚠ PERSPĖJIMAS: Darydami lenktus arba įviius pjūvius, įrankį stumkite labai lėtai. Jei įrankį stumsite per didelę jėgą, paviršius gali būti nelygiai nupjautas, o siaurapjūklis geležtė – lūžti.

Įjunkite įrankį. Siaurapjūklis pjūklelis neturi liesti ruošinio. Palaukite, kol siaurapjūklis pjūklelis pradės judėti visu greičiu. Po to padėkite pagrindą ant ruošinio ir atsargiai stumkite įrankį į priekį, išilgai iš anksto pažymėtos pjovimo linijos.

► **Pav.16:** 1. Pjovimo linija 2. Pagrindas

Istrižųjų pjūvių darymas

⚠ PERSPĖJIMAS: Prieš pakreipdami pagrindą, visada patikrinkite, ar įrankis išjungtas, o akumuliatoriaus kasetė išimta.

Pakreipus pagrindą, galima daryti bet kokio posvyrio – nuo 0° iki 45° (į kairę arba dešinę) – įstrižuosius pjūvius.
► Pav.17

Norėdami pakreipti pagrindą, šešiakampi raktu atsukite pagrindo apačioje esantį varžtą. Patraukite pagrindą taip, kad varžtas būtų pagrindo įstrižojo pjūvio plyšio centre.

► Pav.18: 1. Šešiabriaunis raktas 2. Varžtas 3. Pagrindas

Kreipkite pagrindą tol, kol gausite norimą įstrižąjį kampa. V formos įranta pavaros korpuse su padalomis rodo įstrižąjį kampa. Paskui prisukite varžtą, kad priveržtumėte pagrindą.

► Pav.19: 1. Įstrižojo pjūvio plyšys 2. Pagrindas 3. Varžtas 4. Padalos 5. V formos įranta 6. Pavaros korpusas

Tiesūs pjūviai iš priekio

Šešiabriauniu raktu atlaisvinkite varžtą pagrindo apačioje ir iki galo atitraukite pagrindą. Po to užveržkite varžtą, kad užfiksuotumėte pagrindą.

► Pav.20: 1. Šešiabriaunis raktas 2. Varžtas 3. Pagrindas

Išpjovos

Išpjovas galima daryti dviem būdais: išgręžiant pradinę skylę arba įleidžiamojo pjovimo būdu.

Pradinės skylės išgręžimas

Jei norite padaryti vidinę išpjovą be pradinės išpjovos iš krašto, reikia iš anksto išgręžti pradinę 12 mm arba didesnio skersmens skylę. Įkiškite siaurapjūklį geležtę į šią skylę ir pradėkite pjauti.

► Pav.21

Įleidžiamasis pjovimas

Jei tiksliai atliksite toliau nurodytus veiksmus, nereikės gręžti pradinės skylės arba daryti pradinės išpjovos.

► Pav.22

1. Atrėmę priekiniu pagrindo kraštu, pakreipkite įrankį į viršų taip, kad siaurapjūklį geležtės galiukas būtų šiek tiek virš ruošinio paviršiaus.
2. Spauskite įrankį tiek, kad priekinis pagrindo kraštas nepajudėtų, kai įjungsite įrankį ir lėtai nuleisite jo galą.
3. Kai siaurapjūklį geležtė įpjaus ruošinį, lėtai nuleiskite įrankio pagrindą ant ruošinio paviršiaus.
4. Pjūvį baikite įprastu būdu.

Kraštų apdaila

Norėdami apipjauti kraštus arba pakoreguoti matmenis, siaurapjūklį geležtę švelniai stumkite palei pjūvio kraštą.

► Pav.23

Metalo pjovimas

Pjaudami metalą, visada naudokite tinkamą aušinimo priemonę (pjovimo alyvą). Kitaip siaurapjūklį geležtę dėvėsies gerokai sparčiau. Sutepus ruošinio apačią, aušinimo priemonės nereikia.

Pjovimo kreipiklis

Pasirenkamas priedas

⚠ PERSPĖJIMAS: Prieš montuodami arba nuimdami priedus, visada patikrinkite, ar įrankis yra išjungtas, o akumuliatoriaus kasetė išimta.

Tiesūs pjūviai

Jei reikalingi keli pjūviai 160 mm arba mažesniu atstumu nuo krašto, naudokite pjovimo kreipiklį, kuris leidžia pjauti greitai, švariai ir tiesiai.

► Pav.24: 1. Pjovimo kreipiklis (kreipiamoji liniuotė)

Jei norite įtaisyti pjovimo kreipiklį, įkiškite jį į staciakampę angą pagrindo šone, laikydami kreipiamąją plokštelę nukreiptą žemyn. Pastumkite pjovimo kreipiklį iki reikiamo pjovimo pločio padėties, tada priveržkite jį varžtu.

► Pav.25: 1. Šešiabriaunis raktas 2. Varžtas 3. Kreipiamoji plokštelė 4. Pjovimo kreipiklis (kreipiamoji liniuotė)

Apskritiminiai pjūviai

Kai pjaunate apskritimu arba lanku, kurio spindulys 170 mm arba mažesnis, pjovimo kreipiklį įtaisykite toliau nurodytu būdu.

► Pav.26: 1. Pjovimo kreipiklis (kreipiamoji liniuotė)

⚠ PERSPĖJIMAS: Nelieskite žiedinio kreiptuvo kaiščio galiuko. Aštrus žiedinio kreiptuvo kaiščio galiukas gali sužaloti.

1. Įkiškite pjovimo kreipiklį į staciakampę angą pagrindo šone, laikydami kreipiamąją plokštelę nukreiptą aukštyn.
2. Įkiškite žiedinio kreiptuvo kaištį pro vieną iš dviejų kreiptuvo kiuramių. Užsukite rankenėlę su sriegiu ant žiedinio kreiptuvo kaiščio, kad šį užfiksuotumėte.
► Pav.27: 1. Rankenėlė su sriegiu 2. Kreipiamoji plokštelė 3. Pjovimo kreipiklis (kreipiamoji liniuotė) 4. Žiedinio kreiptuvo kaištis 5. Varžtas

3. Pjovimo kreipiklį pastumkite tiek, kad pjovimo spindulys būtų toks, kokio reikia, ir prisukite varžtą jam užfiksuoti.

PASTABA: Darydami apskritiminius arba lanko formos pjūvius, visada naudokite siaurapjūklį geležtes Nr. B-17, B-18, B-26 arba B-27.

Kreipiamosios juostos adapterio komplektas

Pasirenkamasis priedas

Jeigu darotė lygiagrečius ir vienodo pločio ar tiesius pjūvius ir naudojātės kreiptuvu arba kreipiamosios juostos adapteriu, pjausite greitai ir švariai. Jeigu norite įtaisyti kreipiamosios juostos adapterį, liniuotę kuo giliau įkiškite į keturkampę angą pagrinde. Su šešiabriauniu veržliarakčiu tvirtai priveržkite varžtą.

► **Pav.28:** 1. Šešiakampis veržliaraktis 2. Liniuotė 3. Varžtas

Į kreipiamosios juostos adapterio keturkampę angą įkiškite liniuotę. Ant kreiptuvo įtaisykite kreipiamosios juostos adapterį.

► **Pav.29:** 1. Kreipiamosios juostos adapteris
2. Kreiptuvas 3. Varžtas

PASTABA: Jei naudojātės kreipiamąja juosta ir kreipiamosios juostos adapteriu, būtinai įtaisykite šių numerių siaurapjūklį pjūklelius: B-8, B-13, B-16, B-17 arba 58.

TECHINĖ PRIEŽIŪRA

▲PERSPĖJIMAS: Visuomet įsitikinkite, ar įrankis yra išjungtas ir akumuliatoriaus kasetė yra nuimta prieš atlikdami apžiūrą ir priežiūrą.

PASTABA: Niekada nenaudokite gazolino, benzino, tirpiklio, spirito arba panašių medžiagų. Gali atsirasti išblukimų, deformacijų arba įtrūkimų.

Kad gaminys būtų SAUGUS ir PATIKIMAS, jį taisyti, apžiūrėti ar vykdyti bet kokią kitą priežiūrą ar derinimą turį įgalotasis kompanijos „Makita“ techninės priežiūros centras; reikia naudoti tik kompanijos „Makita“ pagamintas atsargines dalis.

PASIRENKAMI PRIEDAI

▲PERSPĖJIMAS: Šiuos papildomus priedus arba įtaisus rekomenduojama naudoti su šioje instrukcijoje nurodytu „Makita“ bendrovės įrankiu. Naudojant bet kokius kitus papildomus priedus arba įtaisus, gali kilti pavojus sužeisti žmones. Naudokite tik nurodytam tikslui skirtus papildomus priedus arba įtaisus.

Jeigu norite daugiau sužinoti apie tuos priedus, kreipkitės į artimiausią „Makita“ techninės priežiūros centrą.

- Siaurapjūklį ašmenys
- Šešiabriaunis raktas Nr. 4
- Kreiptuvo (kreipiamoji liniuotė) komplektas
- Kreipiamosios juostos adapterio komplektas
- Kreipiamosios pavažos komplektas
- Nuo skilimo saugantis įtaisas
- Dengiamoji plokštė
- Dulkių išleidimo antgalio įtaisas
- Originalus „Makita“ akumuliatorius ir įkroviklis

PASTABA: Kai kurie sąraše esantys priedai gali būti pateikti įrankio pakuotėje kaip standartiniai priedai. Jie įvairiose šalyse gali skirtis.

TEHNILISED ANDMED

Mudel:	JV001G	
Käigu pikkus	26 mm	
Käikude arv minutis	800–3 500 min ⁻¹	
Lehe tüüp	B-tüüp	
Max löikevõimekus	Puit	135 mm
	Karastamata teras	10 mm
	Alumiinium	20 mm
Üldpikkus (koos BL4025)	283 mm	
Nimipinge	Alalisvool 36 V – 40 V max	
Netokaal	2,6–2,9 kg	

- Meie pideva uuringu- ja arendusprogrammi tõttu võidakse tehnilisi andmeid muuta ilma sellest ette teatamata.
- Tehnilised andmed võivad riigiti erineda.
- Kaal võib erineda olenevalt lisaseadistest, kaasa arvatud akukassetist. Kergeim ja raskeim kombinatsioon EPTA-protseduuri 01/2014 kohaselt on toodud tabelis.

Sobiv akukassett ja laadija

Akukassett	BL4020 / BL4025 / BL4040
Laadija	DC40RA / DC40RB / DC40RC

- Mõned eespool loetletud akukassetid ja -laadijad ei pruugi olla teie riigis saadaval.

⚠HOIATUS: Kasutage ainult ülalpool loetletud akukassette ja laadureid. Muude akukassetide ja laadurite kasutamine võib tekitada vigastusi ja/või tulekahju.

Kavandatud kasutus

Tööriist on ette nähtud puit-, plast- ja metallmaterjalide saagimiseks.

Müra

Tüüpiline A-korrigeeritud müratase, määratud standardi EN62841-2-11 kohaselt:

Helirõhutase (L_{pA}): 87 dB (A)

Helivõimsuse tase (L_{WA}): 98 dB (A)

Määramatus (K): 3 dB (A)

MÄRKUS: Deklareeritud müra väärtust (väärtuseid) on mõõdetud kooskõlas standardse katsemeetodiga ning seda võib kasutada ühe seadme võrdlemiseks teisega.

MÄRKUS: Deklareeritud müra väärtust (väärtuseid) võib kasutada ka mürataseme esmaseks hindamiseks.

⚠HOIATUS: Kasutage kõrvakaitsmeid.

⚠HOIATUS: Müratase võib elektritööriista tegelikkuses kasutamise ajal erineda deklareeritud väärtus(t)est olenevalt tööriista kasutusviisidest ja eriti töödeldavast toorikust.

⚠HOIATUS: Rakendage operaatori kaitsmiseks kindlasti piisavaid ohutusabinõusid, mis põhinevad hinnangulisel müratasemel tegelikus tööolukorras (võttes arvesse tööperioodi kõiki osasid, näiteks korrad, kui seade lülitatakse välja ja seade töötab tühikäigul, lisaks tööajale).

Vibratsioon

Vibratsiooni koguväärtus (kolmeteljeliste vektorite summa) määratud standardi EN62841-2-11 kohaselt:

Töörežiim: laudade saagimine

Vibratsiooni emissioon ($a_{h,a}$): 4,6 m/s²

Määramatus (K): 2,5 m/s²

Töörežiim: lehtmaterjali lõikamine

Vibratsioon ($a_{h,M}$): 4,8 m/s²

Määramatus (K): 1,5 m/s²

MÄRKUS: Deklareeritud vibratsiooni koguväärtust (-väärtuseid) on mõõdetud kooskõlas standardse katsemeetodiga ning seda võib kasutada ühe seadme võrdlemiseks teisega.

MÄRKUS: Deklareeritud vibratsiooni koguväärtust (-väärtuseid) võib kasutada ka mürataseme esmaseks hindamiseks.

⚠HOIATUS: Vibratsioonitase võib elektritööriista tegelikkuses kasutamise ajal erineda deklareeritud väärtus(t)est olenevalt tööriista kasutusviisidest ja eriti töödeldavast toorikust.

⚠HOIATUS: Rakendage operaatori kaitsmiseks kindlasti piisavaid ohutusabinõusid, mis põhinevad hinnangulisel müratasemel tegelikus tööolukorras (võttes arvesse tööperioodi kõiki osasid, näiteks korrad, kui seade lülitatakse välja ja seade töötab tühikäigul, lisaks tööajale).

Vastavusdeklaratsioon

Ainult Euroopa riikide puhul

Vastavusdeklaratsioonid on selle juhendi A-lisas.

OHUTUSHOIATUSED

Üldised elektritööriistade ohutushoiatused

▲HOIATUS Lugege läbi kõik selle elektritööriistaga kaasas olevad ohutushoiatused, juhised, illustratsioonid ja tehnilised andmed. Alljärgnevate juhiste eiramine võib põhjustada elektrilöögi, süttimise ja/või raske kehavigastuse.

Hoidke edaspidisteks viideteks alles kõik hoiatused ja juhtnöörid.

Hoiatustes kasutatud termini „elektritööriist“ all peetakse silmas elektriga töötavaid (juhtmega) elektritööriistu või akuga töötavaid (juhtmeta) elektritööriistu.

Juhtmeta tikksae ohutusnõuded

1. Hoidke elektritööriista lõikamise ajal isoleeritud käepidemest, kui lõikeriist võib kokku puutuda peidetud juhtmetega. Voolu all oleva juhtmega kokkupuutesse sattunud lõiketera võib pingestada elektritööriista metalloosi ning põhjustada kasutajale elektrilöögi.
2. Kasutage klambreid või mõnda muud sobivat viisi töödeldava detaili kinnitamiseks ja toetamiseks stabiilsele alusele. Töödeldava detaili hoidmisel käega või vastu keha on detail ebastabiilses asendis ning võib põhjustada kontrolli kaotust.
3. Kasutage alati kaitseprille või ohutusprille. Tavalised prillid või päikesepriidid EI OLE kaitseprillid.
4. Vältige naeltesse sisselõikamist. Kontrollige, kas töödeldavas detailsis on naelu. Eemaldage need enne töö alustamist.
5. Ärge lõigake ülemõdulist detaili.
6. Enne lõikamist kontrollige piisava vaba ruumi olemasolu töödeldava detaili ümber, et tikksae leht ei tabaks pörandat, tööpinkki vms.
7. Hoidke tööriistast kindlalt kinni.
8. Veenduge enne lüliti sisselülitamist, et tikksae leht ei puutuks vastu töödeldavat detaili.
9. Hoidke käed liikuvatest osadest eemal.
10. Ärge jätke tööriista käima. Käivitage tööriist ainult siis, kui hoiate seda käes.
11. Enne tikksae lehe eemaldamist töödeldavast detailist lülitage tööriist alati välja ja oodake, kuni tikksae leht on lõplikult seiskunud.
12. Ärge puudutage tikksae lehte ega töödeldavat detaili vahetult pärast kasutamist, sest need võivad olla väga kuumad ja nahka põletada.
13. Ärge käitage tööriista tarbetult koormamata olekus.

14. Mõned materjalid võivad sisaldada mürgiseid aineid. Võtke meetmed tolmude sissehingamise ja nahaga kokkupuute vältimiseks. Järgige materjali tarnija ohutusteavet.
15. Kasutage alati õiget tolmumaski/respiraatorit, mis vastab materjalile ja rakendusele, millega töötate.

HOIDKE JUHEND ALLES.

▲HOIATUS: ÄRGE UNUSTAGE järgida toote ohutusnõudeid mugavuse või toote (korduskasutamise) saavutamise hea tundmise tõttu. VALE KASUTUS või kasutusjuhendi ohutuseeskirjade eiramine võib põhjustada tervisekahjustusi.

Akukassetiga seotud olulised ohutusjuhised

1. Enne akukassetti kasutamist lugege (1) akulaadimise, (2) aku ja (3) seadmel olevad juhtnöörid ja hoiatused läbi.
2. Ärge võtke akukassetti lahti ega muutke seda. See võib põhjustada tulekahju, liigset kuumust või plahvatusi.
3. Kui tööaeg järsult lüheneb, siis lõpetage kohe kasutamine. Edasise kasutamise tulemuseks võib olla ülekuumenemisoht, võimalikud põletused või isegi plahvatus.
4. Kui elektrolüüti satub silma, siis loputage silma puhta veega ja pöörduge koheselt arsti poole. Selline õnnetus võib põhjustada pimedaksjäämist.
5. Ärge tekitage akukassetis lühist:
 - (1) Ärge puutuge klemme elektrijuhtidega.
 - (2) Ärge hoidke akukassetti tööriistakassis koos metalliesemetega, nagu naelad, mündid jne.
 - (3) Ärge tehke akukassetti märjaks ega jätke seda vihma kätte.Aku lühis võib põhjustada tugevat elektrivoolu, ülekuumenemist, põletusi ning ka seadet tõsiselt kahjustada.
6. Ärge hoidke ega kasutage tööriista ja akukassetti kohtades, kus temperatuur võib tõusta üle 50 °C (122 °F).
7. Ärge põletage akukassetti isegi siis, kui see on saanud tõsiselt vigastada või on täiesti kulumine. Akukassett võib tules plahvatada.
8. Ärge naelutage, lõigake, muljuge, visake akukassetti ega laske sel kukkuda, samuti ärge lööge selle pihta kõva esemega. Selline tegevus võib põhjustada tulekahju, liigset kuumust või plahvatusi.
9. Ärge kasutage kahjustatud akut.
10. Sisalduvatele liitium-ioonakudele võivad kohalduda ohtlike kaupade õigusaktide nõuded. Kaubanduslikul transportimisel, näiteks kolmandate poolte või transpordiettevõtete poolt, tuleb järgida pakendil ja siltidel toodud erinõudeid. Transportimiseks ettevalmistamisel on vajalik pidada nõu ohtliku materjali ekspordiga. Samuti tuleb järgida võimalike riiklike regulatsioonide üksikasjalikumaid nõudeid. Katke teibiga või varjake avatud kontaktid ja pakendage aku selliselt, et see ei saaks pakendis liikuda.

11. Kasutuskõlbmatuks muutunud akukasseti kõrvaldamiseks eemaldage see tööriistast ja viige selleks ette nähtud kohta. Järgige kasutuskõlbmatuks muutunud aku kõrvaldamisel kohalikke eeskirju.
12. Kasutage akusid ainult Makita heaks kiidetud toodetega. Akude paigaldamine selleks mitte ettenähtud toodetele võib põhjustada süttimist, ülemäärast kuumust, plahvatamist või elektrolüüdi lekkimist.
13. Kui tööriista ei kasutata pika ajaperioodi jooksul, tuleb aku tööriistast eemaldada.
14. Kasutamise ajal ja pärast kasutamist võib akukassett kuumeneda, mis võib põhjustada põletusi või madala temperatuuri põletusi. Olge kuuma akukasseti kandmisel ettevaatlik.
15. Ärge puudutage tööriista klemmi kohe pärast kasutamist, sest see võib olla kuum ja põhjustada põletusi.
16. Hoidke akukasseti klemmid, avad ja sooned tükikestest, tolmust ja mullast puhtad. See võib põhjustada tööriista või aku ülekuumenemist, süttimist, purunemist ja talitlushäireid, mis võib lõppeda põletuste või kehavigastustega.
17. Kui tööriist ei kannata kasutamist kõrgepingeliinide lähedal, ärge kasutage akukasseti kõrgepingeliinide lähedal. Muidu võib tööriist või akukassett puruneda või sellel tõrge tekkida.
18. Hoidke akut lastele kättesaamatult.

HOIDKE JUHEND ALLES.

⚠ETTEVAATUST: Kasutage ainult Makita originaalakusid. Mitte Makita originaalakude või muudetud akude kasutamine võib põhjustada akude süttimise, kehavigastuse ja kahjustuse. Samuti muudab see kehtetuks Makita tööriista ja laadija Makita garantii.

Vihjeid aku maksimaalse kasutusaja tagamise kohta

1. Laadige akukassetti enne selle täielikku tühjenemist. Kui märkate, et tööriist töötab väiksema võimsusega, peatage töö ja laadige akukassetti.
2. Ärge laadige täielikult laetud akukassetti. Ülelaadimine lühendab akude kasutusiga.
3. Laadige akukassetti toatemperatuuril 10 °C - 40 °C. Enne laadimist laske kuumenenud akukassetil maha jahtuda.
4. Kui te ei kasuta parajasti akukassetti, eemaldage see tööriistast või laadurist.
5. Kui te ei kasuta akukassetti kauem kui kuus kuud, laadige see.

FUNKTSIONAALNE KIRJELDUS

⚠ETTEVAATUST: Kandke alati hoolt selle eest, et tööriist oleks enne reguleerimist ja kontrollimist välja lülitatud ja akukassett eemaldatud.

Akukasseti paigaldamine või eemaldamine

⚠ETTEVAATUST: Lülitage tööriist alati enne akukasseti paigaldamist või eemaldamist välja.

⚠ETTEVAATUST: Akukasseti paigaldamisel või eemaldamisel tuleb tööriista ja akukassetti kindlalt paigal hoida. Kui tööriista ja akukassetti ei hoita kindlalt paigal, võivad need käest libiseda ning kahjustada tööriista ja akukassetti või põhjustada kehavigastusi.

► **Joon.1:** 1. Punane näidik 2. Nupp 3. Akukassett

Akukasseti eemaldamiseks libistage see tööriista küljest lahti, vajutades kasseti esiküljel paiknevat nuppu alla.

Akukasseti paigaldamiseks joondage akukasseti keel korpuse soonega ja libistage kassett oma kohale. Sisestage see terve-nisti, kuni see lukustub klõpsuga oma kohale. Kui näete joonisel näidatud punast näidikut, pole see täielikult lukustunud.

⚠ETTEVAATUST: Paigaldage akukassett alati täies ulatuses nii, et punast osa ei jääks näha.



















Muidu võib adapter juhuslikult tööriistast välja kukkuda ning põhjustada teile või läheduses viibivatele isikutele vigastusi.

⚠ETTEVAATUST: Ärge rakendage akukasseti paigaldamisel jõudu. Kui kassett ei lähe kergesti sisse, pole see õigesti paigaldatud.

Aku jääkmahutavuse näit

Akukasseti järelejäänud mahutavuse kontrollimiseks vajutage kontrollimise nuppu. Märgulambid süttivad mõneks sekundiks.

► **Joon.2:** 1. Märgulambid 2. Kontrollimise nupp

Märgulambid			Jääkmahutavus
 Pöleb	 Ei põle	 Viigub	
			75 - 100%
			50 - 75%
			25 - 50%
			0 - 25%
			Laadige akut.
			Akul võib olla tõrge.
			

MÄRKUS: Näidatud mahutavus võib veidi erineda tegelikust mahutavusest olenevalt kasutustingimustest ja ümbritseva keskkonna temperatuurist.

MÄRKUS: Esimene (taga vasakul asuv) märgutuli vilgub, kui akukaitsesüsteem töötab.

Tööriista/aku kaitsesüsteem

Tööriist on varustatud tööriista või aku kaitsesüsteemiga. Süsteem lülitab mootori automaatselt välja, et pikendada tööriista ja aku tööd. Tööriist seiskub käitamise ajal automaatselt, kui tööriista või aku kohta kehtib üks järgmistest tingimustest.

Ülekoormuskaitse

Kui akut kasutatakse viisil, mis nõuab akust tavatult palju voolu, seiskub tööriist ilma mingi näiduta. Sellises olukorras lülitage tööriist välja ja lõpetage tegevus, mis põhjustas tööriista ülekoormuse. Seejärel lülitage tööriist taaskäivitamiseks uuesti sisse.

Ülekuumenemiskaitse

Kui tööriist või aku on ülekuumenenud, peatub tööriist automaatselt ja lamp vilgub. Sellisel juhul laske tööriistal ja akul maha jahtuda, enne kui tööriista uuesti sisse lülitate.

Ülelaadimiskaitse

Kui aku laetuse tase ei ole piisav, seiskub tööriist automaatselt. Sellisel juhul eemaldage aku seadmest ja laadige täis.

Kaitse muude põhjuste korral

Kaitsesüsteem on mõeldud ka muude põhjuste jaoks, mis võivad tööriista kahjustada, ja võimaldab tööriistal automaatselt seiskuda. Kui tööriist on ajutiselt peatatud või seiskunud, toimige põhjuste kõrvaldamiseks järgnevalt.

1. Lülitage tööriist välja ja seejärel taaskäivitamiseks uuesti sisse.
2. Laadige akut (akusid) või asendage aku (akud).
3. Laske tööriistal ja akul (akudel) jahtuda.

Kui kaitsesüsteemi taastamisega ei õnnestu olukorda parandada, võtke ühendust kohaliku Makita hoolduskeskusega.

Lõikeviisi valimine

Seda tööriista saab kasutada ringja või otsesuunas (üles ja alla) lõikemeetodiga. Ringjas lõikemeetod tõukab tikksae lehte edasi ja suurendab lõikekiirust.

► **Joon.3:** 1. Lõikemeetodi muutmise hoob

Lõikemeetodi muutmiseks seadke lõikemeetodi muutmise hoob soovitud lõikemeetodi asendisse. Sobiva lõikemeetodi valimisel juhenduge tabelist.

Asend	Lõikemeetod	Rakendused
0	Otsesuunas lõikamine	Karastamata terase ja plastide lõikamiseks. Puidu ja vineeri puhaslõikamiseks.
I	Väikese orbiidiga lõikemeetod	Karastamata terase, alumiiniumi ja lehtpuidu lõikamiseks.
II	Keskmise orbiidiga lõikemeetod	Puidu ja vineeri lõikamiseks. Alumiiniumi ja karastamata terase kiireks lõikamiseks.
III	Suure orbiidiga lõikemeetod	Puidu ja vineeri kiireks lõikamiseks.

Eesmise lambi süütamine

ÄETTEVAATUST: Äрге vaadake otse valgusse ega valgusallikat.

Lambi sisselülitamiseks vajutage lukustuslülitit. Lambi väljalülitamiseks vajutage taas lukustuslülitit.

► **Joon.4:** 1. Lukustuslülitit 2. Lamp

TÄHELEPANU: Kui tööriist on üle kuumenenud, vilgub tuli. Laske tööriistal enne uuesti kasutamist täielikult maha jahtuda.

MÄRKUS: Pühkige lamp kuiva lapiga puhtaks. Olge seda tehes ettevaatlik, et lambi läätse mitte kriimustada, sest muidu võib valgustus väheneda.

Lüliti funktsioneerimine

Tööriista sisselülitamiseks vajutage lukustuslülitit. Tööriist lülitub ooterežiimi. Tööriista käivitamiseks vajutage ooterežiimis SISSE/ooterežiimi lüliti. Tööriista seiskamiseks vajutage uuesti SISSE/ooterežiimi lüliti. Tööriist lülitub ooterežiimi. Tööriista väljalülitamiseks vajutage ooterežiimis lukustuslülitit.

► **Joon.5:** 1. Lukustuslülitit 2. SISSE/ooterežiimi lüliti

MÄRKUS: Kui ooterežiimis oleva tööriistaga 10 sekundi jooksul ühtegi toimingut ei tehta, siis lülitub tööriist automaatselt välja ja lamp kustub.

MÄRKUS: Tööriista on võimalik seisata ja välja lülitada, kui vajutada töötaval seadmehel lukustuslülitit.

Lambi ereduse vähendamiseks vajutage ja hoidke ooterežiimi lülitamise ajal all lukustuslülitit. Umbes 1 sekund pärast lukustuslülitit vajutamist hakkab lambi erudus vähenema, seega laske lukustuslülitit soovitud ereduse saavutamisel lahti. See lülitab ka tööriista ooterežiimi. Umbes 3 sekundit pärast lukustuslülitit vajutamist väheneb lambi erudus miinimumini ja ei muutu pärast seda.

MÄRKUS: Lambi eredust ei saa muuta, kui tööriist on ooterežiimis. Lambi ereduse vähendamiseks lülitage tööriist välja.

MÄRKUS: Lambi ereduse mälufunktsiooni ei ole. Kui lülitate lambi välja ja seejärel sisse, süttib lamp alati maksimaalse eredusega.

Kiirusregulaator

► Joon.6: 1. Kiirusregulaator

Tööriista kiirust saab reguleerida kiirusregulaatorit keerates. Suurim kiirus on sättega „6“ ja väiksem kiirus sättega „1“.

Juhinduge töödeldava detaili jaoks sobiva kiiruse valimisel tabelist. Sobiv kiirus võib olenevalt töödeldava detaili tüübist või paksusest siiski erineda. Tavaliselt võimaldab suurem kiirus küll lõigata töödeldavat detaili kiiremini, ent samas lüheneb sellisel juhul kasutatava tikksae lehe kasutusiga.

Töödeldav detail	Number
Puit	4–6
Karastamata teras	3–6
Roostevaba teras	3–4
Alumiinium	3–6
Plast	1–4

TÄHELEPANU: Kiirusregulaatorit saab keerata ainult kuni 6-ni ja tagasi kuni 1-ni. Ärge keerake ketast jõuga üle 6 või 1, muidu võib kiiruse reguleerimise funktsioon rikki minna.

Elektrooniline funktsioon

Tööriist on varustatud lihtsama kasutamise jaoks elektrooniliste funktsioonidega.

Sujuvkäivitus

Sujuvkäivituse funktsioon minimeerib käivitamisel taga-silööki ja võimaldab tööriistal sujuvalt käivituda.

Püsikiiruse juhtimine

Elektrooniline kiiruse juhtimine püsikiiruse saavutamiseks. Võimaldab täpset viimistlemist, kuna pöörlemiskiirus püsib ühtlasena ka koormuse tingimustes.

Koormuseta sujupöörlemine

Kui kiirusregulaator on seatud väärtusele „3“ või kõrgemale väärtusele, vähendab tööriist koormuse puudumisel automaatselt kiirust, et vähendada vibratsiooni ja joondada tikksae leht hõlpsalt lõikejoonega. Kui tööriist hakkab töödeldavat detaili lõikama, suureneb tööriista kiirus ja saavutab eelseadistatud kiiruse.

MÄRKUS: Madala temperatuuri korral ei pruugi see funktsioon kasutatav olla. See funktsioon ei pruugi sõltuvalt materjali tüübist samuti saadaval olla.

MÄRKUS: Kui kiirus ei vähene pärast töödeldava detaili lõikamist, lülitage tööriist välja ja seejärel uuesti sisse.

Koormuseta sujupöörlemise funktsiooni inaktiveerimine või aktiveerimine

Koormuseta sujupöörlemise funktsiooni inaktiveerimiseks või aktiveerimiseks toimige alljärgnevalt.

1. Veenduge, et tööriist oleks välja lülitatud.
2. Seadistage kiirusregulaator sättele „1“.
3. Tööriista sisselülitamiseks vajutage lukustuslülitit.
4. Keerake kiirusregulaator sättele „6“ ja seejärel tagasi sättele „1“.

Koormuseta sujupöörlemise funktsiooni inaktiveerimisel või aktiveerimisel vilgub lamp kaks korda. Funktsiooni uuesti aktiveerimiseks või inaktiveerimiseks korrake sama protseduuri.

MÄRKUS: Kui koormuseta sujupöörlemise funktsioon on inaktiveeritud, vilgub lamp tööriista sisselülitamisel kaks korda.

MÄRKUS: Koormuseta sujupöörlemise funktsiooni saab inaktiveerida ja aktiveerida, viies kiirusregulaatori asenditesse „6“ - „1“ - „6“.

Elektriline pidur

Tööriistal elektriline pidur. Kui tööriist ei peatu järpeledevalt kohe pärast lülitit päästiku vabastamist, viige see hoolduseks Makita teeninduskeskusesse.

KOKKUPANEK

⚠ETTEVAATUST: Kandke alati hoolt selle eest, et tööriist oleks enne igasuguseid hooldustöid välja lülitatud ja akukassett eemaldatud.

Tikksae lehe paigaldamine või eemaldamine

⚠ETTEVAATUST: Puhastage tikksae leht ja/või saelehe hoidja alati kõikidest nende külge jäänud laastudest ja võorkehadedest. Selle nõude eiramise tagajärjeks võib olla tikksae lehe ebapiisav pingutamine, mis võib põhjustada tõsiseid kehavigastusi.

⚠ETTEVAATUST: Ärge puudutage tikksae lehte ega töödeldavat detaili vahetult pärast töö tegemist. Need võivad olla väga kuumad ja põletada teie nahka.

⚠ETTEVAATUST: Pingutage tikksae leht alati tugevalt. Tikksae lehe ebapiisav pingutamine võib põhjustada lehe purunemise või raske kehavigastuse.

⚠ETTEVAATUST: Olge tikksae lehe eemaldamisel ettevaatlik, et mitte vigastada sõrmi tikksae lehe otsa või töödeldava detaili teravate servadega.

Enne tikksae lehe paigaldamist veenduge, et tikksae lehe klambri hoob oleks avatud asendis.

Tikksae lehe paigaldamiseks tuleb tikksae leht sisetada (hambad eespool) tikksae lehe hoidikusse, kuni leht lukustub. Tikksae lehe klambri hoob liigub ise fikseeritud asendisse ja tikksae leht lukustub. Kontrollige, kas tikksae lehe tagumine serv fikseerus rullikusse. Tõmmake kergelt tikksae lehte, veendumaks, et see töötamise ajal küljest ära ei kukuks.

- ▶ **Joon.7:** 1. Tikksae lehe klambri hoob (fikseeritud asend) 2. Tikksae lehe klambri hoob (vabastatud asend)
- ▶ **Joon.8:** 1. Tikksae lehe hoidja 2. Tikksae lehe klambri hoob (vabastatud asend) 3. Tikksae leht 4. Rullik

⚠ETTEVAATUST: Ärge avage tööriista vabastajat ülemäära, sest vastasel korral võib tööriist kahjustada saada.

Tikksae lehe eemaldamiseks avage tööriista vabastajat nii palju ettepoole, kui see läheb. See võimaldab tikksae lehe vabastada.

- ▶ **Joon.9:** 1. Tikksae lehe hoidja 2. Tööriista vabastaja 3. Tikksae leht

MÄRKUS: Kui tikksae lehte on keeruline eemaldada:

Keerake lõikemeetodi muutmise hoob asendisse „III“ ja lülitage tööriist mitu korda lühidalt sisse, nii et tikksae lehe hoidik liiguks alla.

Veenduge, et tikksae lehe klambri hoob oleks tööriista sisselülitamisel fikseeritud asendis.

Enne tikksae lehe paigaldamist või eemaldamist eemaldage akukassett tööriista küljest.

MÄRKUS: Määrige rullikut vahetevahel.

Kuuskantvõtme hoiulepanek

Kui kuuskantvõtit ei kasutata, siis pange see joonisel näidatud viisil hoiule, et vältida selle ära kadumist.

- ▶ **Joon.10:** 1. Tald 2. Kuuskantvõti

Katteplaat

Dekoratiivvineeri, plasti jms lõikamisel kasutage katteplaati. See kaitseb tundlikke või õrnu pindu kahjustuste eest. Paigaldage see tööriista talla põhjale.

- ▶ **Joon.11:** 1. Katteplaat 2. Tald

Pinnuliseks muutmise vastane seadis

⚠ETTEVAATUST: Pinnuliseks muutmise vastast seadist ei saa kasutada kaldlõigetegemisel.

Pindude tekke vältimiseks lõikamisel võib kasutada pinnuliseks muutmise vastast seadist. Pinnuliseks muutmise vastase seadise paigaldamiseks viige tööriista tald võimalikult ette ja paigaldage seadis tööriista talla alt kohale.

Katteplaati kasutades paigaldage pinnuliseks muutmise vastane seadis katteplaadile.

- ▶ **Joon.12:** 1. Tald 2. Pinnuliseks muutmise vastane seadis

Tolmu eemaldamine

Valikuline tarvik

Puhaste lõigete tegemiseks on soovitat kasutada tolmuotsakut.

Tolmuotsaku paigaldamiseks tööriista külge sisestage tolmuotsaku konks tallas olevasse avasse.

- ▶ **Joon.13:** 1. Tolmuotsak 2. Tald

Tolmuotsaku kinnitamiseks pingutage tolmuotsaku ees paiknevat pitskruvi. Tolmuotsaku saab paigaldada kas talla vasakule või paremale küljele.

- ▶ **Joon.14:** 1. Pitskruvi

Seejärel ühendage tolmuotsakule Makita tolmuimeja.

- ▶ **Joon.15:** 1. Tolmuotsak 2. Tolmuimeja voolik

TÖÖRIISTA KASUTAMINE

⚠ETTEVAATUST: Tald peab alati toetuma töödeldavale detailile. Muidu võib tikksae leht puruneda ja põhjustada tõsise vigastuse.

⚠ETTEVAATUST: Juhtige tööriista kaarjaid või ringlõikeid tehes edasi väga aeglaselt. Tööriista jõuga edasi sundimise tagajärjel võib lõikepind olla kaldus ning tikksae leht puruneda.

Lülitage tööriist sisse ilma, et tikksae leht millegagi kokku puutuks, ja oodake, kuni tikksae leht saavutab täiskiruse. Seejärel toetage tald töödeldavale detailile ja liigutage tööriista pikki ettemärgitud lõikejoont ettevaatlikult ettepoole.

- ▶ **Joon.16:** 1. Lõikejoon 2. Tald

Kaldlõikamine

⚠ETTEVAATUST: Enne aluse kallutamist peab tööriist olema kindlasti välja lülitatud ja akukassett kere küljest eemaldatud.

Saate kaldu seatud tallaga teha kaldlõikeid iga nurga all vahemikus 0° kuni 45° (vasak või parem).

- ▶ **Joon.17**

Talla kallutamiseks keerake talla all paiknev polt kuuskantvõtmega lahti. Nihutage tald niimoodi, et polt asetseks tallas oleva kaldservalise pilu keskel.

- ▶ **Joon.18:** 1. Kuuskantvõti 2. Polt 3. Tald

Kallutage tald soovitud kaldnurga saavutamiseni. Ülekande korpusel V-säik näitab kaldnurka kraadides. Pingutage seejärel talla kinnitamiseks polti kindlat.

- ▶ **Joon.19:** 1. Kaldservaline pilu 2. Tald 3. Polt 4. Kraadid 5. V-säik 6. Ülekande korpus

Tasalõiked talla esiservaga

Keerake kuuskantvõtmega talla all olevat polti lahti-poolle ja libistage tald võimalikult taha. Seejärel pingutage talla kinnitamiseks polti.

- ▶ **Joon.20:** 1. Kuuskantvõti 2. Polt 3. Tald

Väljalõiked

Väljalõikeid saab teha kahel meetodil: lähteava puurimine või sukelduslõikamine.

Lähteava puurimine

Puurige enne 12 mm või suurema diameetriga lähteava selliste seesmistete väljalõigete jaoks, mille puhul te ei tee servast algavat sisseviivat lõiget. Sisestage tikksae leht lõikamise alustamiseks sellesse avasse.

► **Joon.21**

Sukelduslõikamine

Lähteava ei ole vaja puurida ega sisseviivat lõiget teha, kui toimite ettevaatlikult järgmiselt.

► **Joon.22**

1. Kallutage tööriist üles talla eesmisele servale selliselt, et tikksae lehe tipp paikneks parajasti töödeldava detaili pinna kohal.
2. Suruge tööriistale selliselt, et talla esiserv ei liiguks, kui tööriista sisse lülitate, ja laske tööriista tagumine ots aeglaselt allapoole.
3. Kui tikksae leht tungib töödeldavasse detaili, laske tööriista tald aeglaselt alla töödeldava detaili pinnale.
4. Lõpetage lõikamine tavalisel viisil.

Servade viimistlemine

Liigutage tikksae lehte servade viimistlemiseks või mõõtmete parandamiseks kergelt piki lõigatud servasid.

► **Joon.23**

Metalli lõikamine

Kasutage metalli lõikamisel alati sobivat jahutusainet (metallitõõtusõli). Selle nõude eiramise tagajärjel kulub tikksae leht oluliselt rohkem. Jahutusvedeliku kasutamine asemel võib määrada töödeldava detaili alumist poolt.

Piire

Valikuline tarvik

⚠ETTEVAATUST: Enne tarvikute lisamist või eemaldamist peab tööriist olema kindlasti välja lülitatud ja akukassett kere küljest eemaldatud.

Sirged lõiked

Pidevalt 160 mm või väiksemaid laiusi lõigates tagab lõikejuhtjoonlaua kasutamine lõikamisel kiire, puhta ja sirge tulemuse.

► **Joon.24:** 1. Piire (juhtjoonlaud)

Sisestage lõikejuhtjoonlaud paigaldamiseks talla küljel olevasse ristkülikukujulisse avasse selliselt, et juhtjoonlaua juhik oleks suunatud alla. Libistage lõikejuhtjoonlaud soovitud lõikelaiuse asendisse ning pingutage selle kinnitamiseks seejärel polti.

► **Joon.25:** 1. Kuuskantvõti 2. Polt 3. Piirdejuhik 4. Piire (juhtjoonlaud)

Ringikujulised lõiked

Paigaldage lõikejuhtjoonlaud järgmiselt, kui lõikate 170 mm või väiksema raadiusega ringe või kaari.

► **Joon.26:** 1. Piire (juhtjoonlaud)

⚠ETTEVAATUST: Ärge puudutage ringjuhiku tihvti otsa. Ringjuhiku tihvti terav ots võib põhjustada vigastusi.

1. Sisestage lõikejuhtjoonlaud talla küljel olevasse ristkülikukujulisse avasse selliselt, et juhtjoonlaua juhik oleks suunatud üles.
2. Sisestage ringjuhiku tihvt läbi ühe piirdejuhikus olevast kahest august. Ringjuhiku tihvti kinnitamiseks keerake keermesnupp ringjuhiku tihvtile.
- **Joon.27:** 1. Keermesnupp 2. Piirdejuhik 3. Piire (juhtjoonlaud) 4. Ringjuhiku tihvt 5. Polt
3. Libistage juhtjoonlaud soovitud lõikeraadiusele ja pingutage selle kohale kinnitamiseks polti.

MÄRKUS: Kasutage ringe või kaari lõigates alati tikksae lehti nr B-17, B-18, B-26 või B-27.

Juhtpiirde adapteri komplekt

Lisatarvik

Paralleelselt ja ühtlase laiusena lõigete korral või sirgelt lõikamisel tagab juhtpiirde ning juhtpiirde adapteri kasutamine kiired ja laitmatud lõiked. Toimige juhtpiirde adapteri paigaldamiseks järgmiselt: sisestage joonlaud võimalikult sügavale alusel olevasse nelinurksesse avasse. Fikseerige polt kuuskantvõtme abil korralikult.

► **Joon.28:** 1. Kuuskantvõti 2. Joonlaud 3. Polt

Sisestage joonlaud juhtpiirde adapteri nelinurksesse avasse ja fikseerige kruvi korralikult. Pange juhtpiirde adapter juhtpiirdele.

► **Joon.29:** 1. Juhtpiirde adapter 2. Juhtpiire 3. Kruvi

TÄHELEPANU: Juhtpiirde ja juhtpiirde adapteri kasutamisel tuleb alati kasutada tikksae lehte, mille number on B-8, B-13, B-16, B-17 või 58.

HOOLDUS

⚠ETTEVAATUST: Enne kontroll- või hooldustoimingute tegemist kandke alati hoolt selle eest, et tööriist oleks välja lülitatud ja akukassett korpuse küljest eemaldatud.

TÄHELEPANU: Ärge kunagi kasutage bensiini, vedeldit, alkoholi ega midagi muud sarnast. Selle tulemuseks võib olla luitumine, deformatsioon või pragunemine.

Toote OHUTUSE ja TÖÖKINDLUSE tagamiseks tuleb vajalikud remonttööd ning muud hooldus- ja reguleerimistööd lasta teha Makita volitatud teeninduskeskustes või tehase teeninduskeskustes. Alati tuleb kasutada Makita varuosi.

VALIKULISED TARVIKUD

⚠ETTEVAATUST: Neid tarvikuid ja lisaseadiseid on soovitatav kasutada koos Makita tööriistaga, mille kasutamist selles kasutusjuhendis kirjeldatakse. Muude tarvikute ja lisaseadiste kasutamisega kaasneb vigastada saamise oht. Kasutage tarvikuid ja lisaseadiseid ainult otstarbekohaselt.

Saate vajaduse korral kohalikust Makita teeninduskeskusest lisateavet nende tarvikute kohta.

- Tikksae lehed
- Kuuskantvõti 4
- Lõikejuhtjoonlaua (juhikmõõtlaua) komplekt
- Juhtpiirde adapteri komplekt
- Juhtrööpa komplekt
- Pinnuliseks muutumise vastane seadis
- Katteplaat
- Tolmuotsaku komplekt
- Makita algupärane aku ja laadija

MÄRKUS: Mõned nimekirjas loetletud tarvikud võivad kuuluda standardvarustusse ning need on lisatud tööriista pakendisse. Need võivad riigiti erineda.

ТЕХНИЧЕСКИЕ ХАРАКТЕРИСТИКИ

Модель:		JV001G
Длина хода		26 мм
Ходов в минуту		800 - 3 500 мин ⁻¹
Тип пильного полотна		Тип В
Макс. производительность резки	Дерево	135 мм
	Мягкая сталь	10 мм
	Алюминий	20 мм
Общая длина (с BL4025)		283 мм
Номинальное напряжение		36 В – 40 В пост. тока макс.
Масса нетто		2,6 - 2,9 кг

- Благодаря нашей постоянно действующей программе исследований и разработок указанные здесь технические характеристики могут быть изменены без предварительного уведомления.
- Технические характеристики могут различаться в зависимости от страны.
- Масса может отличаться в зависимости от дополнительного оборудования. Обратите внимание, что блок аккумулятора также считается дополнительным оборудованием. В таблице представлены комбинации с наибольшим и наименьшим весом в соответствии с процедурой EPTA 01/2014.

Подходящий блок аккумулятора и зарядное устройство

Блок аккумулятора	BL4020 / BL4025 / BL4040
Зарядное устройство	DC40RA / DC40RB / DC40RC

- В зависимости от региона проживания некоторые блоки аккумуляторов и зарядные устройства, перечисленные выше, могут быть недоступны.

⚠ОСТОРОЖНО: Используйте только перечисленные выше блоки аккумуляторов и зарядные устройства. Использование других блоков аккумуляторов и зарядных устройств может привести к травме и/или пожару.

Назначение

Данный инструмент предназначен для распиливания древесных, пластмассовых и металлических материалов.

Шум

Типичный уровень взвешенного звукового давления (A), измеренный в соответствии с EN62841-2-11:
 Уровень звукового давления (L_{р,дл}): 87 дБ (A)
 Уровень звуковой мощности (L_{вмд}): 98 дБ (A)
 Погрешность (K): 3 дБ (A)

ПРИМЕЧАНИЕ: Заявленное значение распространения шума измерено в соответствии со стандартной методикой испытаний и может быть использовано для сравнения инструментов.

ПРИМЕЧАНИЕ: Заявленное значение распространения шума можно также использовать для предварительных оценок воздействия.

⚠ОСТОРОЖНО: Используйте средства защиты слуха.

⚠ОСТОРОЖНО: Распространение шума во время фактического использования электроинструмента может отличаться от заявленного значения в зависимости от способа применения инструмента и в особенности от типа обрабатываемой детали.

⚠ОСТОРОЖНО: Обязательно определите меры безопасности для защиты оператора, основанные на оценке воздействия в реальных условиях использования (с учетом всех этапов рабочего цикла, таких как выключение инструмента, работа без нагрузки и включение).

Вибрация

Суммарное значение вибрации (сумма векторов по трем осям), определенное в соответствии с EN62841-2-11:

Рабочий режим: резка панелей

Распространение вибрации ($a_{h,b}$): 4,6 м/с²

Погрешность (K): 2,5 м/с²

Рабочий режим: резка листового металла

Распространение вибрации ($a_{h,m}$): 4,8 м/с²

Погрешность (K): 1,5 м/с²

ПРИМЕЧАНИЕ: Заявленное общее значение распространения вибрации измерено в соответствии со стандартной методикой испытаний и может быть использовано для сравнения инструментов.

ПРИМЕЧАНИЕ: Заявленное общее значение распространения вибрации можно также использовать для предварительных оценок воздействия.

⚠ОСТОРОЖНО: Распространение вибрации во время фактического использования электроинструмента может отличаться от заявленного значения в зависимости от способа применения инструмента и в особенности от типа обрабатываемой детали.

⚠ОСТОРОЖНО: Обязательно определите меры безопасности для защиты оператора, основанные на оценке воздействия в реальных условиях использования (с учетом всех этапов рабочего цикла, таких как выключение инструмента, работа без нагрузки и включение).

Декларации о соответствии

Только для европейских стран

Декларации о соответствии включены в Приложение А к настоящему руководству по эксплуатации.

МЕРЫ БЕЗОПАСНОСТИ

Общие рекомендации по технике безопасности для электроинструментов

⚠ОСТОРОЖНО Ознакомьтесь со всеми инструкциями по технике безопасности, указаниями, иллюстрациями и техническими характеристиками, прилагаемыми к данному электроинструменту. Несоблюдение всех приведенных далее инструкций может привести к поражению электрическим током, возгоранию и/или тяжелым травмам.

Сохраните брошюру с инструкциями и рекомендациями для дальнейшего использования.

Термин "электроинструмент" в предупреждениях относится ко всему инструменту, работающему от сети (с проводом) или на аккумуляторах (без провода).

Правила техники безопасности при эксплуатации аккумулятораного лобзика

1. Если при выполнении работ существует риск контакта режущего инструмента со скрытой электропроводкой, держите электроинструмент за специально предназначенные изолированные поверхности. Контакт с проводом под напряжением приведет к тому, что металлические детали инструмента также будут под напряжением. Это может стать причиной поражения оператора электрическим током.
2. Для фиксации разрезаемой детали на устойчивой поверхности используйте зажимы или другие соответствующие приспособления. Никогда не держите распиливаемые детали в руках и не прижимайте их к телу, так как это не обеспечит устойчивого положения детали и может привести к потере контроля над инструментом.
3. Обязательно надевайте защитные очки или защитную маску для лица. Обычные или солнцезащитные очки НЕ ЯВЛЯЮТСЯ защитными очками.
4. Избегайте попадания режущего инструмента на гвозди. Перед пилением осмотрите деталь и убедитесь в отсутствии гвоздей.
5. Не распиливайте детали, превышающие допустимый размер.
6. Убедитесь в наличии свободного пространства вокруг распиливаемой детали, чтобы полотно ножовочной пилы не уперлось в пол, верстак и т. п.
7. Крепко держите инструмент.
8. Перед включением убедитесь в том, что полотно ножовочной пилы не касается обрабатываемой детали.
9. Руки должны находиться на расстоянии от движущихся деталей.
10. Не оставляйте работающий инструмент без присмотра. Включайте инструмент только тогда, когда он находится в руках.
11. Перед извлечением полотна ножовочной пилы из обрабатываемой детали обязательно выключайте инструмент и дожидаетесь полного прекращения его движения.
12. Не прикасайтесь к полотну ножовочной пилы или обрабатываемой детали сразу после работы: они могут быть очень горячими и обжечь кожу.
13. Без необходимости не эксплуатируйте инструмент без нагрузки.
14. Некоторые материалы могут содержать токсичные химические вещества. Примите соответствующие меры предосторожности, чтобы избежать вдыхания или контакта с кожей таких веществ. Соблюдайте требования, указанные в паспорте безопасности материала.
15. Обязательно используйте соответствующую пылезащитную маску/респиратор для защиты дыхательных путей от пыли разрезаемых материалов.

СОХРАНИТЕ ДАННЫЕ ИНСТРУКЦИИ.

⚠ОСТОРОЖНО: НЕ ДОПУСКАЙТЕ, чтобы удобство или опыт эксплуатации данного устройства (полученный от многократного использования) доминировали над строгим соблюдением правил техники безопасности при обращении с этим устройством. **НЕПРАВИЛЬНОЕ ИСПОЛЬЗОВАНИЕ** инструмента или несоблюдение правил техники безопасности, указанных в данном руководстве, может привести к тяжелой травме.

Важные правила техники безопасности для работы с аккумуляторным блоком

1. Перед использованием аккумуляторного блока прочитайте все инструкции и предупреждающие надписи на (1) зарядном устройстве, (2) аккумуляторном блоке и (3) инструменте, работающем от аккумуляторного блока.
2. Не разбирайте блок аккумулятора и не меняйте его конструкцию. Это может привести к пожару, перегреву или взрыву.
3. Если время работы аккумулятора блока значительно сократилось, немедленно прекратите работу. В противном случае, может возникнуть перегрев блока, что приведет к ожогам и даже к взрыву.
4. В случае попадания электролита в глаза промойте их обильным количеством чистой воды и немедленно обратитесь к врачу. Это может привести к потере зрения.
5. Не замыкайте контакты аккумуляторного блока между собой:
 - (1) Не прикасайтесь к контактам какими-либо токопроводящими предметами.
 - (2) Не храните аккумуляторный блок в контейнере вместе с другими металлическими предметами, такими как гвозди, монеты и т. п.
 - (3) Не допускайте попадания на аккумуляторный блок воды или дождя.Замыкание контактов аккумуляторного блока между собой может привести к возникновению большого тока, перегреву, возможным ожогам и даже поломке блока.
6. Не храните и не используйте инструмент и аккумуляторный блок в местах, где температура может достигать или превышать 50 °C (122 °F).
7. Не бросайте аккумуляторный блок в огонь, даже если он сильно поврежден или полностью вышел из строя. Аккумуляторный блок может взорваться под действием огня.
8. Запрещено вбивать гвозди в блок аккумулятора, резать, ломать, бросать, ронять блок аккумулятора или ударять его твердым предметом. Это может привести к пожару, перегреву или взрыву.
9. Не используйте поврежденный аккумуляторный блок.

10. Входящие в комплект литий-ионные аккумуляторы должны эксплуатироваться в соответствии с требованиями законодательства об опасных товарах.

При коммерческой транспортировке, например, третьей стороной или экспедитором, необходимо нанести на упаковку специальные предупреждения и маркировку.

В процессе подготовки устройства к отправке обязательно проконсультируйтесь со специалистом по опасным материалам. Также соблюдайте местные требования и нормы. Они могут быть строже.

Закройте или закрепите разомкнутые контакты и упакуйте аккумулятор так, чтобы он не перемещался по упаковке.

11. Для утилизации блока аккумулятора извлеките его из инструмента и утилизируйте безопасным способом. Выполняйте требования местного законодательства по утилизации аккумулятора блока.
12. Используйте аккумуляторы только с продукцией, указанной Makita. Установка аккумуляторов на продукцию, не соответствующую требованиям, может привести к пожару, перегреву, взрыву или утечке электролита.
13. Если инструментом не будут пользоваться в течение длительного периода времени, извлеките аккумулятор из инструмента.
14. Во время и после использования блок аккумулятора может нагреваться, что может стать причиной ожогов или низкотемпературных ожогов. Будьте осторожны при обращении с горячим блоком аккумулятора.
15. Не прикасайтесь к контактам инструмента сразу после использования, поскольку они могут быть достаточно горячими, чтобы вызвать ожоги.
16. Не допускайте наложения на контакты, отверстия и пазы блока аккумулятора опилок, пыли или земли. Это может стать причиной перегрева, возгорания, взрыва или неисправности инструмента или блока аккумулятора, что может привести к ожогам или травмам.
17. Если инструмент не рассчитан на использование вблизи высоковольтных линий электропередач, не используйте блок аккумулятора вблизи высоковольтных линий электропередач. Это может привести к неисправности, поломке инструмента или блока аккумулятора.
18. Храните аккумулятор в недоступном для детей месте.

СОХРАНИТЕ ДАННЫЕ ИНСТРУКЦИИ.

⚠ВНИМАНИЕ: Используйте только фирменные аккумуляторные батареи Makita.

Использование аккумуляторных батарей, не произведенных Makita, или батарей, которые были подвергнуты модификациям, может привести к взрыву аккумулятора, пожару, травмам и повреждению имущества. Это также автоматически аннулирует гарантию Makita на инструмент и зарядное устройство Makita.

Советы по обеспечению максимального срока службы аккумулятора

1. Заряжайте блок аккумуляторов перед его полной разрядкой. Обязательно прекратите работу с инструментом и зарядите блок аккумуляторов, если вы заметили снижение мощности инструмента.
2. Никогда не подзаряжайте полностью заряженный блок аккумуляторов. Перезарядка сокращает срок службы аккумулятора.
3. Заряжайте блок аккумуляторов при комнатной температуре в 10 - 40 °C (50 - 104 °F). Перед зарядкой горячего блока аккумуляторов дайте ему остыть.
4. Если блок аккумулятора не используется, извлеките его из инструмента или зарядного устройства.
5. Зарядите ионно-литиевый аккумуляторный блок, если вы не будете пользоваться инструментом длительное время (более шести месяцев).

ОПИСАНИЕ РАБОТЫ

ВНИМАНИЕ: Перед регулировкой или проверкой функций инструмента обязательно убедитесь, что он выключен и его аккумуляторный блок снят.

Установка или снятие блока аккумуляторов

ВНИМАНИЕ: Обязательно выключайте инструмент перед установкой и извлечением аккумуляторного блока.

ВНИМАНИЕ: При установке и извлечении аккумуляторного блока крепко удерживайте инструмент и аккумуляторный блок. Если не соблюдать это требование, они могут выскользнуть из рук, что приведет к повреждению инструмента, аккумуляторного блока и травмированию оператора.

► **Рис. 1:** 1. Красный индикатор 2. Кнопка 3. Блок аккумулятора

Для снятия аккумуляторного блока нажмите кнопку на лицевой стороне и извлеките блок.

Для установки блока аккумулятора совместите выступ блока аккумулятора с пазом в корпусе и задвиньте его на место. Устанавливайте блок до упора, чтобы он зафиксировался с небольшим щелчком. Если вы видите красный индикатор, как показано на рисунке, он не зафиксирован полностью.








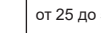





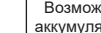

ВНИМАНИЕ: Обязательно устанавливайте блок аккумулятора до конца, чтобы красный индикатор не был виден. В противном случае блок аккумулятора может выпасть из инструмента и нанести травму вам или другим людям.

ВНИМАНИЕ: Не прилагайте чрезмерных усилий при установке аккумуляторного блока. Если блок не движется свободно, значит он вставлен неправильно.

Индикация оставшегося заряда аккумулятора

Нажмите кнопку проверки на аккумуляторном блоке для проверки заряда. Индикаторы загорятся на несколько секунд.

► **Рис. 2:** 1. Индикаторы 2. Кнопка проверки

Индикаторы			Уровень заряда
 Горит	 Выкл.	 Мигает	
			от 75 до 100%
			от 50 до 75%
			от 25 до 50%
			от 0 до 25%
			Зарядите аккумуляторную батарею.
			Возможно, аккумуляторная батарея неисправна.

ПРИМЕЧАНИЕ: В зависимости от условий эксплуатации и температуры окружающего воздуха индикация может незначительно отличаться от фактического значения.

ПРИМЕЧАНИЕ: Первая (дальняя левая) индикаторная лампа будет мигать во время работы защитной системы аккумулятора.

Система защиты инструмента/аккумулятора

На инструменте предусмотрена система защиты инструмента/аккумулятора. Она автоматически отключает питание двигателя для продления срока службы инструмента и аккумулятора. Инструмент автоматически остановится во время работы в следующих случаях:

Защита от перегрузки

Если из-за способа эксплуатации аккумулятор потребляет очень большое количество тока, он автоматически остановится без включения каких-либо индикаторов. В этом случае выключите инструмент и прекратите работу, повлекшую перегрузку инструмента. Затем включите инструмент для перезапуска.

Защита от перегрева

При перегреве инструмента или аккумулятора инструмент автоматически останавливается, подсветка начинает мигать. В этом случае дайте инструменту/аккумулятору остыть перед повторным включением.

Защита от переразрядки

При истощении емкости аккумулятора инструмент автоматически останавливается. В этом случае извлеките аккумулятор из инструмента и зарядите его.

Защита от других неполадок

Система защиты также обеспечивает защиту от других неполадок, способных повредить инструмент, и обеспечивает автоматическую остановку инструмента. В случае временной остановки или прекращения работы инструмента выполните все перечисленные ниже действия для устранения причины остановки.

1. Выключите и снова включите инструмент для его перезапуска.
2. Зарядите аккумулятор(ы) или замените его(их) заряженным(и).
3. Дайте инструменту и аккумулятору (аккумуляторам) остыть.

Если после возврата системы защиты в исходное состояние ситуация не изменится, обратитесь в сервисный центр Makita.

Выбор действия резки

Данный инструмент может управляться таким образом, чтобы производить резку по орбитальной или прямолинейной траектории (вверх и вниз). Резка по орбитальной траектории создает осевое давление на полотно ножовочной пилы и повышает скорость резки.

► **Рис.3:** 1. Рычаг переключения резки

Для изменения режима резания поверните рычаг переключения режимов резания в положение, соответствующее нужному режиму резания. Для выбора подходящего режима резания см. таблицу.

Положение	Действие резки	Применение
0	Прямолинейная резка	Для резки мягкой, нержавеющей стали и пластмассы. Для чистовых резов в дереве и фанере.
I	Резка с небольшим радиусом	Для резки мягкой стали, алюминия и твердого дерева.
II	Резка со средним радиусом	Для резки дерева и фанеры. Для быстрой резки алюминия и мягкой стали.
III	Резка с большим радиусом	Для быстрой резки дерева и фанеры.

Включение передней лампы

ВНИМАНИЕ: Не смотрите непосредственно на свет или источник света.

Для включения лампы нажмите на блокировочный переключатель. Для выключения лампы нажмите на блокировочный переключатель повторно.

- **Рис.4:** 1. Блокировочный переключатель
2. Лампа

ПРИМЕЧАНИЕ: При перегреве инструмента начинает мигать лампа. Перед возобновлением работы полностью остудите инструмент.

ПРИМЕЧАНИЕ: Для удаления пыли с линзы лампы используйте сухую ткань. Не допускайте возникновения царапин на линзе лампы, так как это приведет к снижению освещенности.

Действие выключателя

Для включения инструмента нажмите на блокировочный переключатель. Инструмент переходит в режим ожидания. Чтобы запустить инструмент, нажмите на переключатель ВКЛ/ожидание в режиме ожидания. Для остановки инструмента нажмите на переключатель ВКЛ/ожидание повторно. Инструмент переходит в режим ожидания. Для выключения инструмента нажмите на блокировочный переключатель в режиме ожидания.

- **Рис.5:** 1. Блокировочный переключатель
2. Переключатель ВКЛ/ожидание

ПРИМЕЧАНИЕ: Если инструмент находится в режиме ожидания более 10 секунд, он автоматически выключится, а лампа погаснет.

ПРИМЕЧАНИЕ: Вы также можете остановить и выключить инструмент, нажав на блокировочный переключатель в процессе работы.

Для уменьшения яркости лампы нажмите и удерживайте блокировочный переключатель при переключении в режим ожидания. Примерно через 1 секунду после начала нажатия на блокировочный переключатель яркость лампы начнет уменьшаться, и при достижении желаемой яркости отпустите блокировочный переключатель. При этом инструмент также переключается в режим ожидания. Примерно через 3 секунды после начала нажатия на блокировочный переключатель яркость лампы станет минимальной и прекратит меняться.

ПРИМЕЧАНИЕ: При нахождении инструмента в режиме ожидания яркость лампы регулироваться не может. Для уменьшения яркости лампы выключите инструмент.

ПРИМЕЧАНИЕ: Функция запоминания яркости лампы отсутствует. Каждый раз при выключении и повторном включении лампы она будет загораться с максимальной яркостью.

Регулятор скорости

► Рис.6: 1. Регулятор скорости

Обороты инструмента можно регулировать положением регулятора скорости. Максимальной скорости соответствует положение 6, а минимальной — 1. См. таблицу, чтобы выбрать надлежащую скорость для обрабатываемой детали. Однако надлежащая скорость может быть разной в зависимости от типа или толщины обрабатываемой детали. Как правило, более высокие скорости позволяют резать обрабатываемые детали быстрее, но срок службы полотна ножовочной пилы при этом сокращается.

Обрабатываемая деталь	Цифра
Дерево	4 - 6
Мягкая сталь	3 - 6
Нержавеющая сталь	3 - 4
Алюминий	3 - 6
Пластмасса	1 - 4

ПРИМЕЧАНИЕ: Диск регулировки скорости можно поворачивать только до цифры 6 и обратно до 1. Не пытайтесь силой повернуть регулятор за пределы значений 6 или 1, так как это может привести к отказу функции регулирования частоты вращения фрезы.

Электронная функция

Для простоты эксплуатации инструмент оснащен электронными функциями.

Плавный запуск

Функция плавного запуска минимизирует пусковой удар и смягчает запуск инструмента.

Контроль постоянной скорости

Электронное управление скоростью инструмента для достижения постоянной скорости. Возможность получения тонкой отделки, поскольку скорость вращения держится на постоянном уровне даже в условиях нагрузки.

Плавное вращение без нагрузки

Если на регулировочном диске выставлено значение "3" или больше, то инструмент автоматически снижает скорость при отсутствии нагрузки для уменьшения вибрации и простоты совмещения полотна ножовочной пилы с линией разреза. Как только инструмент начнет резать обрабатываемую деталь, его скорость увеличится и достигнет заданного значения.

ПРИМЕЧАНИЕ: При низкой температуре эта функция может быть недоступна. Кроме того, данная функция может быть недоступна в зависимости от типа материала.

ПРИМЕЧАНИЕ: Если после разрезания обрабатываемой детали скорость не уменьшается, выключите инструмент и включите его снова.

Выключение или включение функции плавного вращения без нагрузки

Для выключения или включения функции плавного вращения без нагрузки выполните указанные ниже действия.

1. Убедитесь, что инструмент выключен.
2. Установите регулятор скорости в положение "1".
3. Для включения инструмента нажмите на блокировочный переключатель.
4. Поверните регулятор скорости до "6", а затем снова установите его на "1".

Лампа мигает дважды при отключении или включении функции плавного вращения без нагрузки. Для повторного включения или отключения данной функции выполните ту же процедуру еще раз.

ПРИМЕЧАНИЕ: Если функция плавного вращения без нагрузки отключена, то лампа мигает дважды при включении инструмента.

ПРИМЕЧАНИЕ: Вы также можете выключить или включить функцию плавного вращения без нагрузки, изменив положение диска регулировки скорости на "6" - "1" - "6".

Электрический тормоз

Этот инструмент оснащен электрическим тормозом. Если после отпускания триггерного переключателя не происходит быстрой остановки инструмента, отправьте инструмент в сервисный центр Makita для обслуживания.

СБОРКА

ВНИМАНИЕ: Перед проведением каких-либо работ с инструментом обязательно убедитесь, что инструмент отключен, а блок аккумулятора снят.

Установка или снятие полотна ножовочной пилы

ВНИМАНИЕ: Обязательно удалите все опилки или инородные частицы, прилипшие к полотну ножовочной пилы и/или держателю полотна. Несоблюдение данного требования может привести к недостаточной затяжке полотна ножовочной пилы и серьезной травме.

ВНИМАНИЕ: Не прикасайтесь к полотну ножовочной пилы или детали сразу после окончания работы. Они могут быть очень горячими и причинить ожог.

ВНИМАНИЕ: Всегда прочно закрепляйте полотно ножовочной пилы. Недостаточная затяжка полотна ножовочной пилы может привести к его полному или серьезной травме.

ВНИМАНИЕ: При снятии полотна ножовочной пилы соблюдайте осторожность, чтобы не повредить пальцы верхней частью полотна ножовочной пилы или кромками детали.

Перед установкой полотна ножовочной пилы убедитесь, что рычаг зажима полотна ножовочной пилы находится в разомкнутом положении.

Для установки полотна ножовочной пилы вставьте его в держатель полотна (зубьями вперед) до защелкивания. Рычаг зажима полотна ножовочной пилы самостоятельно переместится в положение фиксации, и полотно ножовочной пилы будет зафиксировано. Убедитесь, что тыльная сторона полотна ножовочной пилы вошла в ролик. Слегка потяните за полотно ножовочной пилы с целью убедиться в том, что оно не выпадет во время работы.

► **Рис.7:** 1. Рычаг зажима полотна ножовочной пилы (в зафиксированном положении)
2. Рычаг зажима полотна ножовочной пилы (в разомкнутом положении)

► **Рис.8:** 1. Держатель полотна ножовочной пилы
2. Рычаг зажима полотна ножовочной пилы (в разомкнутом положении)
3. Полотно ножовочной пилы 4. Ролик

ВНИМАНИЕ: Не раскрывайте приспособление для открывания инструмента слишком широко, т.к. это может привести к повреждению инструмента.

Для снятия полотна ножовочной пилы раскройте приспособление для открывания инструмента вперед до упора. Это позволяет освободить полотно ножовочной пилы.

► **Рис.9:** 1. Держатель полотна ножовочной пилы
2. Приспособление для открывания инструмента 3. Полотно ножовочной пилы

ПРИМЕЧАНИЕ: В случае возникновения трудностей при снятии полотна ножовочной пилы:

Поверните рычаг переключения режимов резания в положение "III" и ненадолго включите инструмент несколько раз, чтобы полотно ножовочной пилы переместилось в нижнюю точку.

При включении инструмента убедитесь в том, что рычаг зажима полотна ножовочной пилы находится в зафиксированном положении.

Перед установкой или снятием полотна ножовочной пилы извлеките блок аккумулятора из инструмента.

ПРИМЕЧАНИЕ: Иногда смазывайте ролик.

Хранение шестигранного ключа

Когда шестигранный ключ не используется, храните его, как показано на рисунке, чтобы не потерять.

► **Рис.10:** 1. Основание 2. Шестигранный ключ

Крышка

При резке строганого шпона, пластмасс и пр. используйте крышку. Она защищает чувствительные или критичные поверхности от повреждения. Ее следует прикреплять к нижней поверхности основания инструмента.

► **Рис.11:** 1. Крышка 2. Основание

Устройство против раскалывания

ВНИМАНИЕ: При осуществлении резки со скосом устройство против раскалывания использовать нельзя.

Для предотвращения раскалывания в процессе резки можно использовать устройство против раскалывания. Чтобы установить устройство против раскалывания, сдвиньте основание инструмента вперед до упора и прикрепите его с нижней стороны основания инструмента.

Если вы используете крышку, установите устройство против раскалывания на крышку.

► **Рис.12:** 1. Основание 2. Устройство против раскалывания

Сбор пыли

Дополнительные принадлежности

Для выполнения операций чистого резания рекомендуется использовать пылесборный патрубок.

Для крепления пылесборного патрубка к инструменту вставьте фиксатор пылесборного патрубка в отверстие основания.

► **Рис.13:** 1. Пылесборный патрубок 2. Основание

Для фиксации пылесборного патрубка затяните зажимной винт, расположенный с его лицевой стороны. Пылесборный патрубок может устанавливаться как с левой, так и с правой стороны основания.

► **Рис.14:** 1. Зажимной винт

Затем подсоедините к пылесборному патрубку пылесос Makita.

► **Рис.15:** 1. Пылесборный патрубок 2. Шланг для пылесоса

ЭКСПЛУАТАЦИЯ

ВНИМАНИЕ: Обязательно держите основание на одном уровне с деталью. Несоблюдение данного требования может привести к поломке полотна ножовочной пилы и серьезной травме.

ВНИМАНИЕ: Продвигайте инструмент очень медленно при резке по кривой или при перемещении по вертикали. Если к инструменту приложить усилие, это может привести к появлению искривленной поверхности и повреждению полотна ножовочной пилы.

Включите инструмент таким образом, чтобы полотно ножовочной пилы не соприкасалось ни с чем, и дождитесь момента, когда оно наберет максимальную скорость. Затем ровно расположите основание на обрабатываемой детали и плавно переместите инструмент вперед вдоль предварительно намеченной линии разреза.

► **Рис.16:** 1. Линия разреза 2. Основание

Резка под скосом

⚠ВНИМАНИЕ: Прежде чем наклонить основание, убедитесь, что инструмент отключен, а блок аккумулятора извлечен.

При наклоненном основании вы можете выполнять резку со скосом под любым углом в диапазоне от 0° до 45° (влево или вправо).

► **Рис.17**

Чтобы наклонить основание, ослабьте болт внизу основания с помощью шестигранного ключа. Переместите основание таким образом, чтобы болт располагался по центру конического гнезда в основании.

► **Рис.18:** 1. Шестигранный ключ 2. Болт 3. Основание

Наклоните основание до достижения нужного угла скоса. V-образная выемка в корпусе редуктора указывает угол скоса по шкале. Затем надежно затяните болт для фиксации основания.

► **Рис.19:** 1. Коническое гнездо 2. Основание 3. Болт 4. Шкала 5. V-образная выемка 6. Корпус редуктора

Прямые разрезы заподлицо

Ослабьте болт внизу основания с помощью шестигранного ключа и сдвиньте основание назад до упора. Затем затяните болт для фиксации основания.

► **Рис.20:** 1. Шестигранный ключ 2. Болт 3. Основание

Вырезы

Вырезы могут производиться любым из двух способов: “сверление начального отверстия” или “врезание”.

Сверление начального отверстия

Для внутренних вырезов без начального врезания с края, высверлите предварительно отверстие диаметром 12 мм или более. Вставьте полотно ножовочной пилы в это отверстие для начала резки.

► **Рис.21**

Врезание

Вам не нужно будет сверлить начальное отверстие или делать врезку, если вы аккуратно сделаете следующее.

► **Рис.22**

1. Поднимите инструмент за передний край основания, расположив острие полотна ножовочной пилы непосредственно над поверхностью обрабатываемой детали.

2. Надавите на инструмент, чтобы передний край основания не сдвинулся, когда вы включите инструмент, и медленно опустите заднюю часть.

3. По мере врезания полотна ножовочной пилы в обрабатываемую деталь, опускайте основание инструмента на поверхность обрабатываемой детали.

4. Завершите вырез обычным образом.

Обработка краев

Для обработки краев или размерной регулировки, слегка проведите полотном ножовочной пилы по вырезанным краям.

► **Рис.23**

Резка металла

При резке металла всегда пользуйтесь подходящей охлаждающей жидкостью (масло для резки). Несоблюдение данного требования приведет к значительному износу полотна ножовочной пилы. Вместо использования охлаждающего вещества можно смазать обратную поверхность обрабатываемой детали.

Направляющая планка

Дополнительные принадлежности

⚠ВНИМАНИЕ: Перед установкой или снятием дополнительных принадлежностей выключите инструмент и извлеките блок аккумулятора.

Прямые разрезы

При многократной резке в глубину до 160 мм или менее, использование направляющей планки позволит добиться быстрых, чистых, прямых разрезов.

► **Рис.24:** 1. Направляющая планка (направляющая линейка)

Для установки направляющей планки вставьте ее в квадратное отверстие сбоку основания, при этом направляющая линейка должна смотреть вниз. Сдвиньте направляющую планку на необходимую ширину резки, после чего затяните болт для фиксации планки.

► **Рис.25:** 1. Шестигранный ключ 2. Болт 3. Направляющая линейка 4. Направляющая планка (направляющая линейка)

Круговые вырезы

При резке кругов или дуг радиусом в 170 мм или менее, установите направляющую планку следующим образом.

► **Рис.26:** 1. Направляющая планка (направляющая линейка)

⚠ВНИМАНИЕ: Не прикасайтесь к концу штифта круговой направляющей. Острый конец штифта круговой направляющей может причинить травму.

1. Вставьте направляющую планку в квадратное отверстие сбоку основания, при этом направляющая линейка должна смотреть вверх.

2. Вставьте штифт круговой направляющей через любое из двух отверстий в направляющей линейке. Навинтите поворотную рукоятку с внутренним резьбовым отверстием на штифт круговой направляющей для фиксации последнего.

► **Рис.27:** 1. Резьбовая рукоятка 2. Направляющая линейка 3. Направляющая планка (направляющая линейка) 4. Штифт круговой направляющей 5. Болт

3. Сдвиньте направляющую планку до нужного радиуса резки и затяните болт для ее фиксации на этом месте.

ПРИМЕЧАНИЕ: При вырезке кругов или дуг всегда пользуйтесь полотнами ножовочной пилы № В-17, В-18, В-26 или В-27.

Комплект адаптера для шины цепной пилы

Дополнительные принадлежности

При параллельной резке, резке деталей одной ширины и резке по прямой использование адаптера для шины цепной пилы обеспечит получение быстрых, чистых разрезов. Для установки адаптера для шины цепной пилы вставьте линейку в квадратное отверстие основания до упора. Крепко закрутите болт шестигранным ключом.

► **Рис.28:** 1. Шестигранный ключ 2. Линейка 3. Болт

Вставьте линейку в квадратное отверстие адаптера для шины цепной пилы и плотно затяните болт. Установите адаптер для шины цепной пилы на шину цепной пилы.

► **Рис.29:** 1. Адаптер для шины цепной пилы 2. Направляющий рельс 3. Винт

ПРИМЕЧАНИЕ: При использовании шины цепной пилы и адаптера для шины цепной пилы обязательно используйте полотна ножовочных пил № В-8, В-13, В-16, В-17 или 58.

ОБСЛУЖИВАНИЕ

ВНИМАНИЕ: Перед проведением проверки или работ по техобслуживанию всегда проверяйте, что инструмент выключен, а блок аккумуляторов снят.

ПРИМЕЧАНИЕ: Запрещается использовать бензин, растворители, спирт и другие подобные жидкости. Это может привести к обесцвечиванию, деформации и трещинам.

Для обеспечения БЕЗОПАСНОСТИ и НАДЕЖНОСТИ оборудования ремонт, любое другое техобслуживание или регулировку необходимо производить в уполномоченных сервис-центрах Makita или сервис-центрах предприятия с использованием только сменных частей производства Makita.

ДОПОЛНИТЕЛЬНЫЕ ПРИНАДЛЕЖНОСТИ

ВНИМАНИЕ: Данные принадлежности или приспособления рекомендуются для использования с инструментом Makita, указанным в настоящем руководстве. Использование других принадлежностей или приспособлений может привести к получению травмы. Используйте принадлежность или приспособление только по указанному назначению.

Если вам необходимо содействие в получении дополнительной информации по этим принадлежностям, свяжитесь с вашим сервис-центром Makita.

- Полотна ножовочных пил
- Шестигранный ключ 4
- Комплект направляющей планки (направляющей линейки)
- Комплект адаптера для шины цепной пилы
- Комплект направляющего рельса
- Устройство против раскалывания
- Крышка
- Сопло для пыли в сборе
- Оригинальный аккумулятор и зарядное устройство Makita

ПРИМЕЧАНИЕ: Некоторые элементы списка могут входить в комплект инструмента в качестве стандартных приспособлений. Они могут отличаться в зависимости от страны.

Makita Europe N.V. Jan-Baptist Vinkstraat 2,
3070 Kortenberg, Belgium

Makita Corporation 3-11-8, Sumiyoshi-cho,
Anjo, Aichi 446-8502 Japan

www.makita.com

885982B980
EN, SV, NO, FI, DA,
LV, LT, ET, RU
20221031