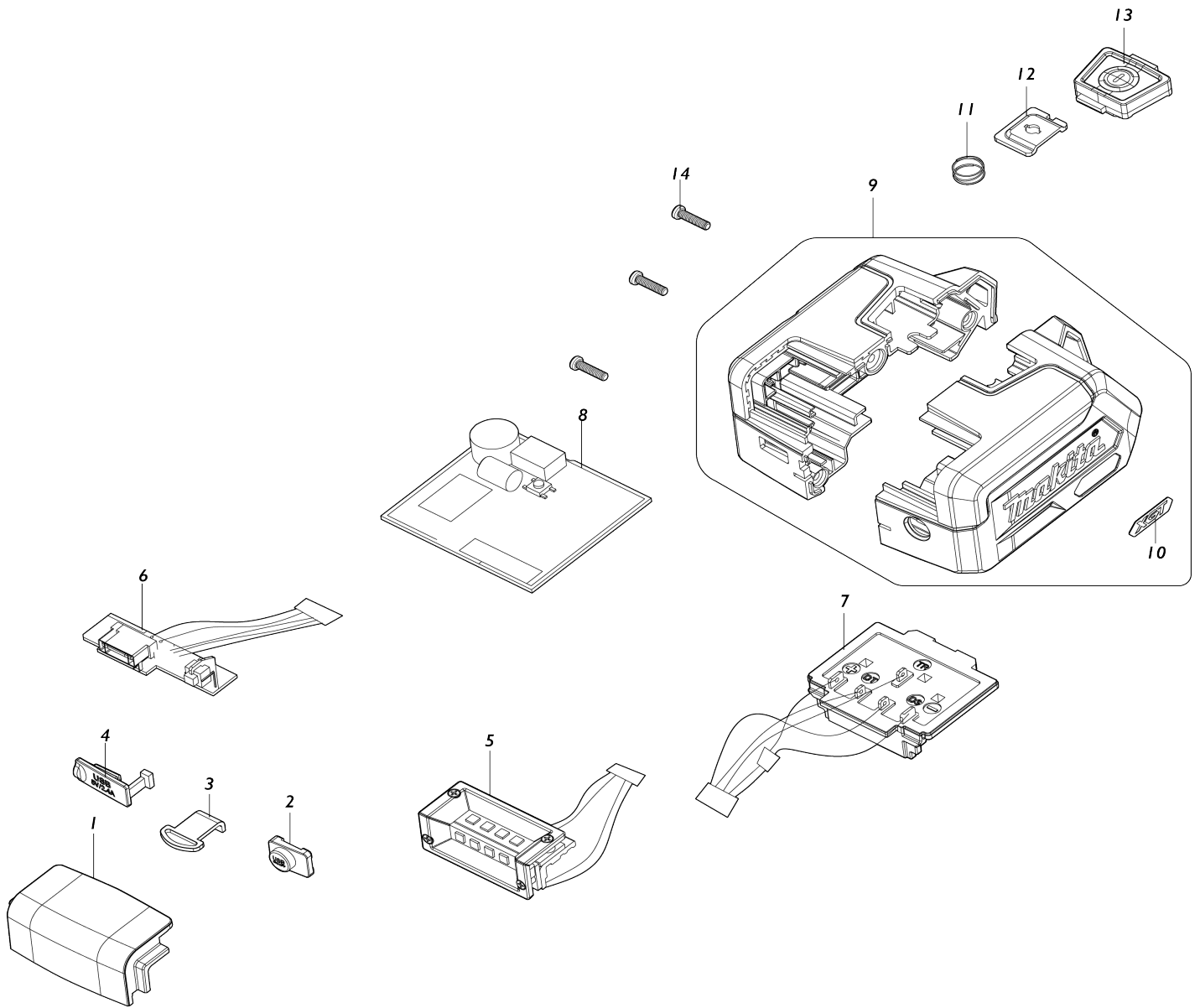


# Model No. ML011G CORDLESS WORKLIGHT



Model No.ML011G CORDLESS WORKLIGHT

Item No.	Parts No.	Description	Interchangability	Q'ty	New/Old	Note1	Note2
001	GM00002458	LENS		1			
002	GM00002459	USB SWITCH BUTTON		1			
003	GM00002460	STRAP HOOK		1			
004	GM00002461	USB COVER		1			
005	GM00002462	LED PCBA ASSY		1			
006	GM00002463	USB PCBA ASSY		1			
007	GM00002464	BATTERY HOLDER ASSY		1			
008	GM00002465	MAIN PCBA ASSY		1			
009	GM00002466	BODY ASSY BLUE		1			
D10		INC. 10					
010	GM00002496	XGT LABEL		1			
011	GM00002468	SWITCH SPRING		1			
012	GM00002469	SWITCH SPRING BRACKET		1			
013	GM00002470	SWITCH ASSY		1			
014	GM00001012	SCREW 3X12 PB BLACK ZN		3			
A01	GM00002457	LAMP SHADE		1			

Please state Parts No. when your order.

Print Date 26.10.2023