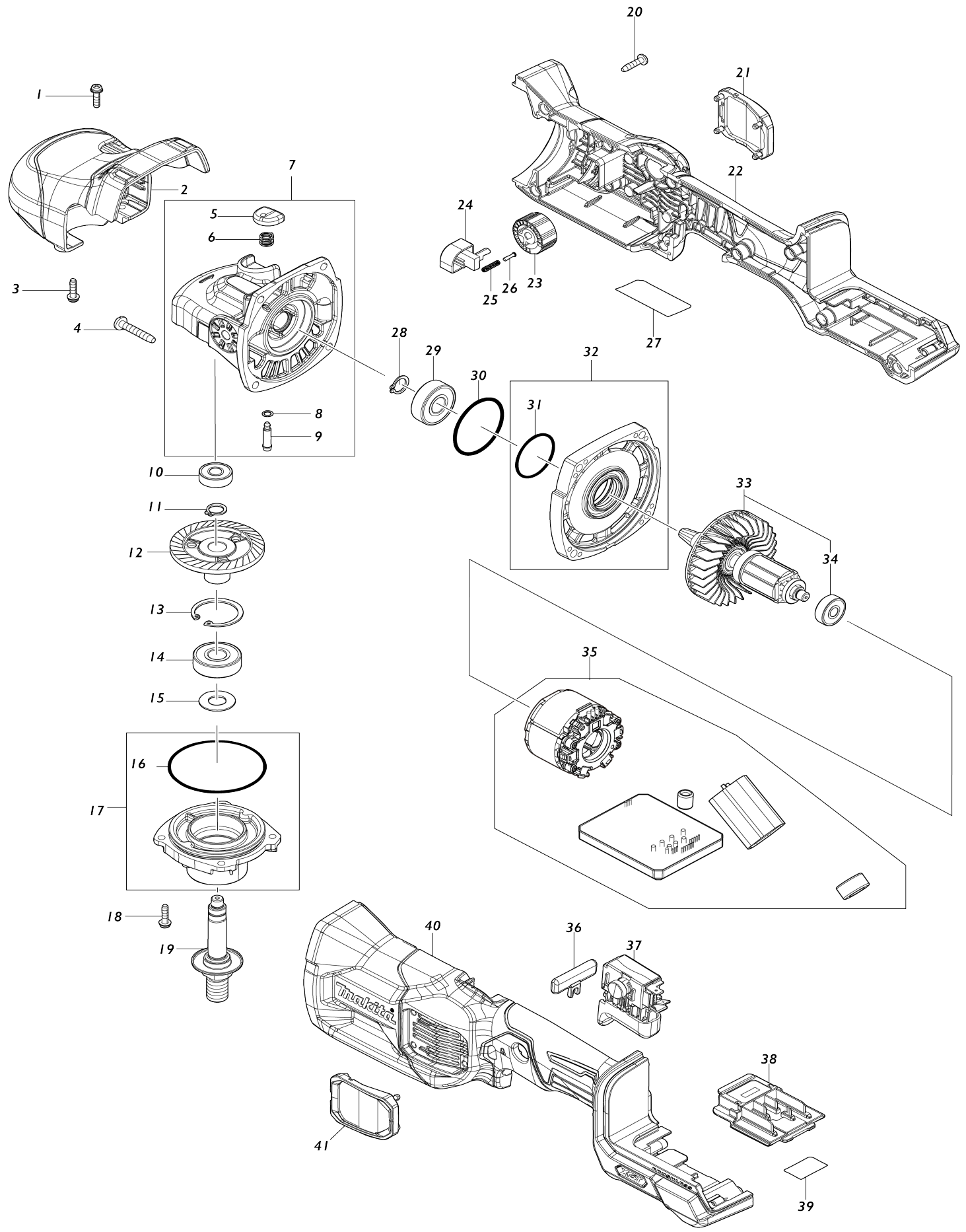


Model No. PV001G 180MM CORDLESS POLISHER



Model No.PV001G 180MM CORDLESS POLISHER

Item No.	Parts No.	Description	Interchangability	Q'ty	New/Old	Note1	Note2
001	911128-8	P.H.SCREW M4X16 WITH WR		2			
002	413F66-1	HEAD COVER		1			
003	911128-8	P.H.SCREW M4X16 WITH WR		2			
004	266173-1	TAPPING SCREW 5X30		4			
005	412234-7	PIN CAP		1			
006	233072-2	COMPRESSION SPRING 8		1			
007	136628-9	GEAR HOUSING ASS'Y		1			
C10	263002-9	RUBBER PIN 4		1			
D10		INC. 5,6,8,9					
008	213960-9	O RING 5		1			
009	256546-6	SHOULDER PIN 4		1			
010	210029-0	BALL BEARING 608ZZ		1			
011	961052-5	RETAINING RING (EXT) S-12		1			
012	227953-0	SPIRAL BEVEL GEAR 52		1			
013	962151-6	RETAINING RING R-32		1			
014	211106-1	BALL BEARING 6201LLB		1			
015	267113-2	FLAT WASHER 12		1			
016	213654-6	O RING 60		1			
017	136629-7	BEARING BOX ASS'Y		1			
D10		INC. 16					
018	911128-8	P.H.SCREW M4X16 WITH WR		4			
019	141J24-8	SPINDLE COMPLETE		1			
020	265995-6	TAPPING SCREW 4X18		10			
021	422871-9	DUST COVER		1			
022	183V37-5	MOTOR HOUSING SET		1			
C10	263005-3	RUBBER PIN 6		2			
C20	8005T5-8	XGT LOGO LABEL		1			
D10		INC. 40					
023	271472-8	DIAL 28		1			
024	620415-1	SUB CONTROLLER		1			
025	233002-3	COMPRESSION SPRING 3		1			
026	255058-6	RIVET 2		1			
027	8115Y5-8	PV001G NAME PLATE		1			
028	961052-5	RETAINING RING (EXT) S-12		1			
029	211137-0	BALL BEARING 6201LLU		1			
030	213842-5	O-RING 40		1			
031	213459-4	O RING 32		1			
032	136630-2	GEAR HOUSING COVER ASS'Y		1			
D10		INC. 31					
033	519738-1	ROTOR ASS'Y		1			
D10		INC. 34					
034	210023-2	BALL BEARING 627DDW		1			
035	629B09-1	STATOR COMPLETE		1			
036	458972-7	LOCK OFF BUTTON		1			
037	650020-0	SWITCH C3JR-4B-2L		1			
038	632P65-6	TERMINAL UNIT		1			
039	8116A3-0	PV001G SERIAL NO. LABEL		1			

040	183V37-5	MOTOR HOUSING SET		1		
C10	263005-3	RUBBER PIN 6		2		
C20	8005T5-8	XGT LOGO LABEL		1		
D10		INC. 22				
041	422871-9	DUST COVER		1		
A01	262542-4	SLEEVE 18		1		
A02	413F67-9	LOOP HANDLE		1		
A03	743053-3	PAD 165		1		
A04	192629-7	WOOL PAD 180		1		
A05	266171-5	HEX. SOCKET HEAD BOLT M8X25		2		
A06	783204-6	HEX. WRENCH 6		1		
A07	158237-4	GRIP 36 COMPLETE		1		
A08	422871-9	DUST COVER		2		
F23	191D53-5	WOOL PAD 180 SET		1		

Please state Parts No. when your order.

Print Date 10/26/2023