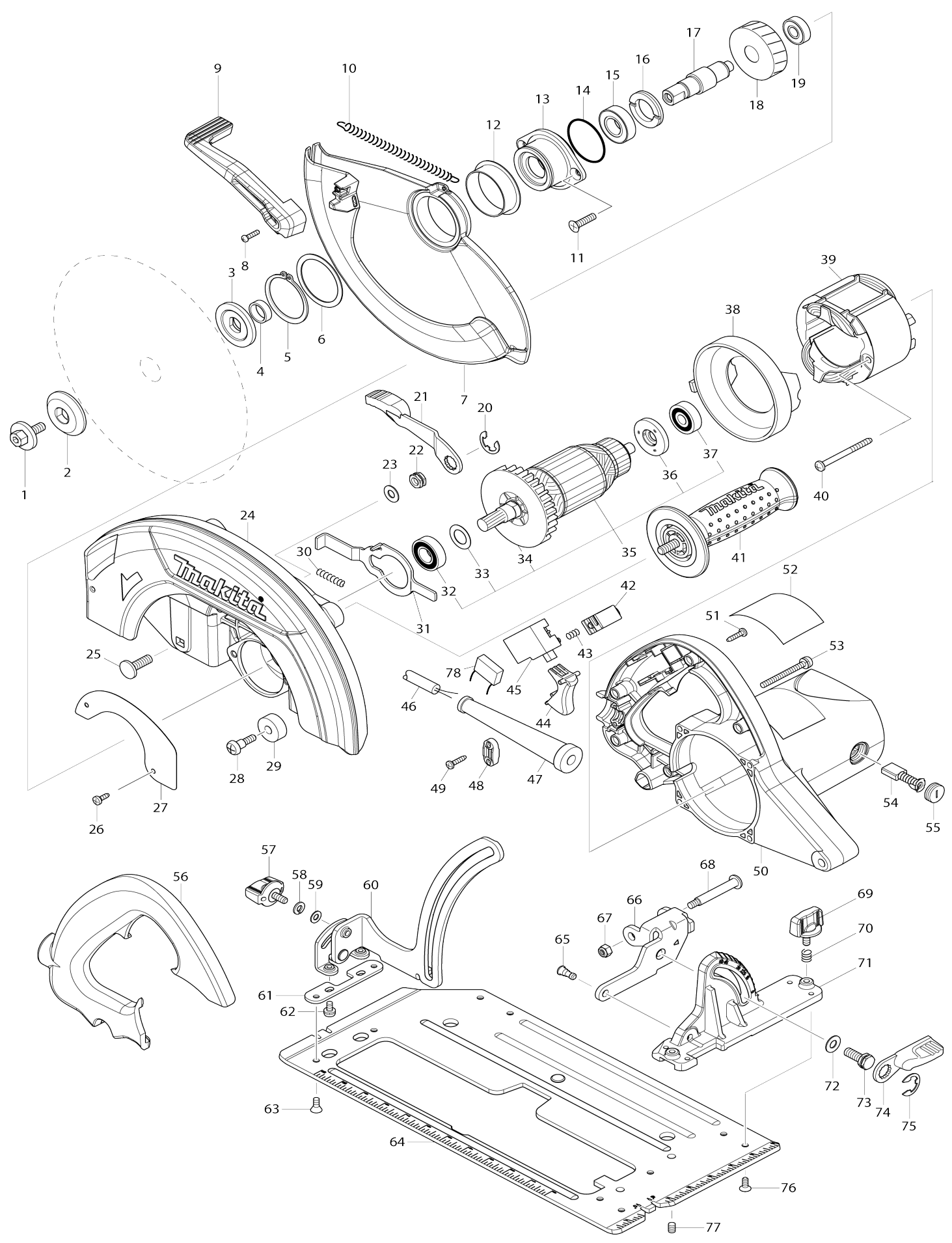


Model No.HS0600 260MM CIRCULAR SAW



Model No.HS0600 260MM CIRCULAR SAW

| Item No. | Parts No. | Description | Interchangability | Q'ty | New/Old | Note1 | Note2 |
|----------|-----------|--------------------------------|-------------------|------|---------|-------|-------|
| 001 | 251519-4 | HEX.SOCKET HEX.BOLT M8X25 | | 1 | | | |
| 002 | 224325-0 | OUTER FLANGE 45 | | 1 | | | |
| 003 | 224326-8 | INNER FLANGE 45 | | 1 | | | |
| 004 | 257279-6 | RING 17 | | 1 | | | |
| 005 | 961202-2 | RETAINING RING S-45 | | 1 | | | |
| 006 | 267219-6 | FLAT WASHER 45 | | 1 | | | |
| 007 | 319527-2 | SAFETY COVER | | 1 | | | |
| 008 | 265178-8 | PAN HEAD SCREW M4X16 | | 1 | | | |
| 009 | 272258-3 | LEVER 37 | | 1 | | | |
| 010 | 232356-5 | TENSION SPRING 6 | | 1 | | | |
| 011 | 265031-8 | + COUNTERSUNK HEAD SCREW M6X20 | | 2 | | | |
| 012 | 457317-6 | SPACER | | 1 | | | |
| 013 | 319529-8 | BEARING BOX | | 1 | | | |
| 014 | 213560-5 | O RING 44 | | 1 | * | | |
| 014-1 | 213676-6 | O RING 53 | X | 1 | | | |
| 015 | 210301-0 | BALL BEARING 6003DDW | | 1 | | | |
| 016 | 285809-3 | BEARING RETAINER 23-36 | | 1 | | | |
| 017 | 326877-8 | SPINDLE | | 1 | | | |
| 018 | 226523-2 | HELICAL GEAR 39 | | 1 | | | |
| 019 | 210141-6 | BALL BEARING 6000DDW | | 1 | | | |
| 020 | 257953-6 | BOW STOP RING E-12 | | 1 | | | |
| 021 | 271432-0 | LEVER 107 | | 1 | | | |
| 022 | 252199-9 | HEX. NUT M8-13 | | 1 | | | |
| 023 | 941201-0 | FLAT WASHER 8 | | 1 | | | |
| 024 | 144284-1 | BLADE CASE COMPLETE | | 1 | | | |
| C10 | 213459-4 | O RING 32 | | 1 | | | |
| 025 | 266396-1 | FLATHEAD SQUARENECKBOLT M8X24 | | 1 | | | |
| 026 | 266026-4 | TAPPING SCREW BIND CT 4X12 | | 2 | | | |
| 027 | 347123-6 | COVER PLATE | | 1 | | | |
| 028 | 251518-6 | + PAN HEAD SCREW M6 | | 1 | | | |
| 029 | 262007-6 | RUBBER RING 8 | | 1 | | | |
| 030 | 233264-3 | COMPRESSION SPRING 5 | | 1 | | | |
| 031 | 344844-1 | SHAFT LOCK | | 1 | | | |
| 032 | 211236-8 | BALL BEARING 6002DDW | | 1 | | | |
| 033 | 267164-5 | FLAT WASHER 15 | | 1 | | | |
| 034 | 240003-4 | FAN 80 | | 1 | | | |
| 035 | 516818-4 | ARMATURE ASS'Y 220V | | 1 | | | |
| D10 | | INC. 32-34,36,37 | | | | | |
| 036 | 681630-2 | INSULATION WASHER | | 1 | | | |
| 037 | 211066-7 | BALL BEARING 6200LLB | | 1 | | | |
| 038 | 417114-2 | BAFFLE PLATE | | 1 | | | |
| 039 | 596208-7 | FIELD ASS'Y 220V | | 1 | | | |
| C10 | 654020-2 | RING TERMINAL | | 2 | | | |
| C20 | 654502-4 | CONNECTOR P-2 | | 2 | | | |
| 040 | 266044-2 | TAPPING SCREW 5X60 | | 2 | | | |
| 041 | 144285-9 | GRIP 36 COMPLETE | | 1 | | | |

| | | | | | | |
|-------|----------|-------------------------------|---|---|---|--|
| 042 | 417117-6 | LOCK-OFF BUTTON | | 1 | | |
| 043 | 233284-7 | COMPRESSION SPRING 5 | | 1 | | |
| 044 | 417115-0 | SWITCH LEVER | | 1 | | |
| 045 | 651984-1 | SWITCH TG71B-2 | | 1 | | |
| 046 | 665865-3 | POWER SUPPLY CORD 1.0-2-2.5 | | 1 | | |
| 047 | 682564-2 | CORD GUARD | | 1 | | |
| 048 | 687124-5 | STRAIN RELIEF | | 1 | | |
| 049 | 266326-2 | TAPPING SCREW 4X18 | | 2 | | |
| 050 | 151848-4 | MOTOR HOUSING COMPLETE | | 1 | | |
| C10 | 643653-8 | BRUSH HOLDER 6.5-13.5 | | 2 | | |
| 051 | 266326-2 | TAPPING SCREW 4X18 | | 5 | | |
| 052 | 852Y38-9 | HS0600 NAME PLATE | | 1 | | |
| 053 | 911273-9 | PAN HEAD SCREW M5X50 | | 4 | | |
| 054 | 181044-0 | CARBON BRUSH CB-153 | | 1 | | |
| 055 | 643650-4 | BRUSH HOLDER CAP 6.5-13.5 | | 2 | | |
| 056 | 417118-4 | HANDLE COVER | | 1 | | |
| 057 | 265798-8 | THUMB SCREW M6X14 | | 1 | | |
| 058 | 942151-2 | SPRING WASHER 6 | | 1 | * | |
| 058-1 | 253428-3 | SPRING WASHER 6 | O | 1 | * | |
| 059 | 941151-9 | FLAT WASHER 6 | | 1 | | |
| 060 | 144253-2 | DEPTH GUIDE COMPLETE | | 1 | | |
| 061 | 347124-4 | PLATE | | 1 | | |
| 062 | 251212-0 | + FLAT HEAD SCREW M5X13 | | 2 | | |
| 063 | 912202-5 | COUNTERSUNK HEAD SCREW M5 X8 | | 2 | | |
| 064 | 347134-1 | BASE | | 1 | | |
| 065 | 256351-1 | SHOULDER PIN 6-7 | | 1 | | |
| 066 | 347122-8 | ANGULAR GUIDE | | 1 | | |
| 067 | 252014-7 | HEX. LOCK NUT M6-10 | | 1 | | |
| 068 | 251528-3 | + PAN HEAD SCREW M6 | | 1 | | |
| 069 | 265798-8 | THUMB SCREW M6X14 | | 1 | | |
| 070 | 233376-2 | COMPRESSION SPRING 8 | | 1 | | |
| 071 | 319528-0 | ANGULAR PLATE | | 1 | | |
| 072 | 941201-0 | FLAT WASHER 8 | | 1 | | |
| 073 | 251520-9 | HEX. BOLT M8X20 | | 1 | | |
| 074 | 272253-3 | LEVER 56 | | 1 | | |
| 075 | 257953-6 | BOW STOP RING E-12 | | 1 | | |
| 076 | 912212-2 | COUNTERSUNK HEAD SCREW M5 X12 | | 5 | | |
| 077 | 266208-8 | H.S.SET SCREW(CUP POINT)M6X8 | | 2 | | |
| 078 | 645190-8 | NOISE SUPPRESSOR | | 1 | | |
| A01 | 164367-1 | GUIDE RULE | | 1 | | |
| A02 | 410047-0 | WRENCH HOLDER 5.6 | | 1 | | |
| A03 | B-12859 | TCT SAW BLADE 270X18TX30 | | 1 | | |
| A04 | 783204-6 | HEX. WRENCH 6 | | 1 | | |
| A05 | 198263-1 | DUST NOZZLE SET | | 1 | | |
| F01 | 194367-7 | GUIDE RAIL 3000 SET | | 1 | | |
| F02 | 194368-5 | GUIDE RAIL 1400 SET | | 1 | | |
| F04 | 194416-0 | SHEET 10000 SET | | 1 | | |
| F05 | 194417-8 | RUBBER SHEET 10000 SET | | 1 | | |
| F06 | 194418-6 | POSITION SHEET 1400 SET | | 1 | | |
| F08 | 194910-2 | POSITION SHEET 1900 SET | | 1 | | |

| | | | | | | | |
|-----|----------|------------------------------|--|---|---|--|--|
| F10 | 194925-9 | GUIDE RAIL 1900 SET | | 1 | | | |
| F12 | 196664-7 | BEVEL GUIDE SET | | 1 | * | | |
| F15 | 198570-2 | GUIDE RAIL ADAPTER F SET(EU) | | 1 | | | |
| F17 | 199140-0 | GUIDE RAIL 1000 SET | | 1 | | | |
| F18 | 199141-8 | GUIDE RAIL 1500 SET | | 1 | | | |

Please state Parts No. when your order.

Print Date 25.10.2023