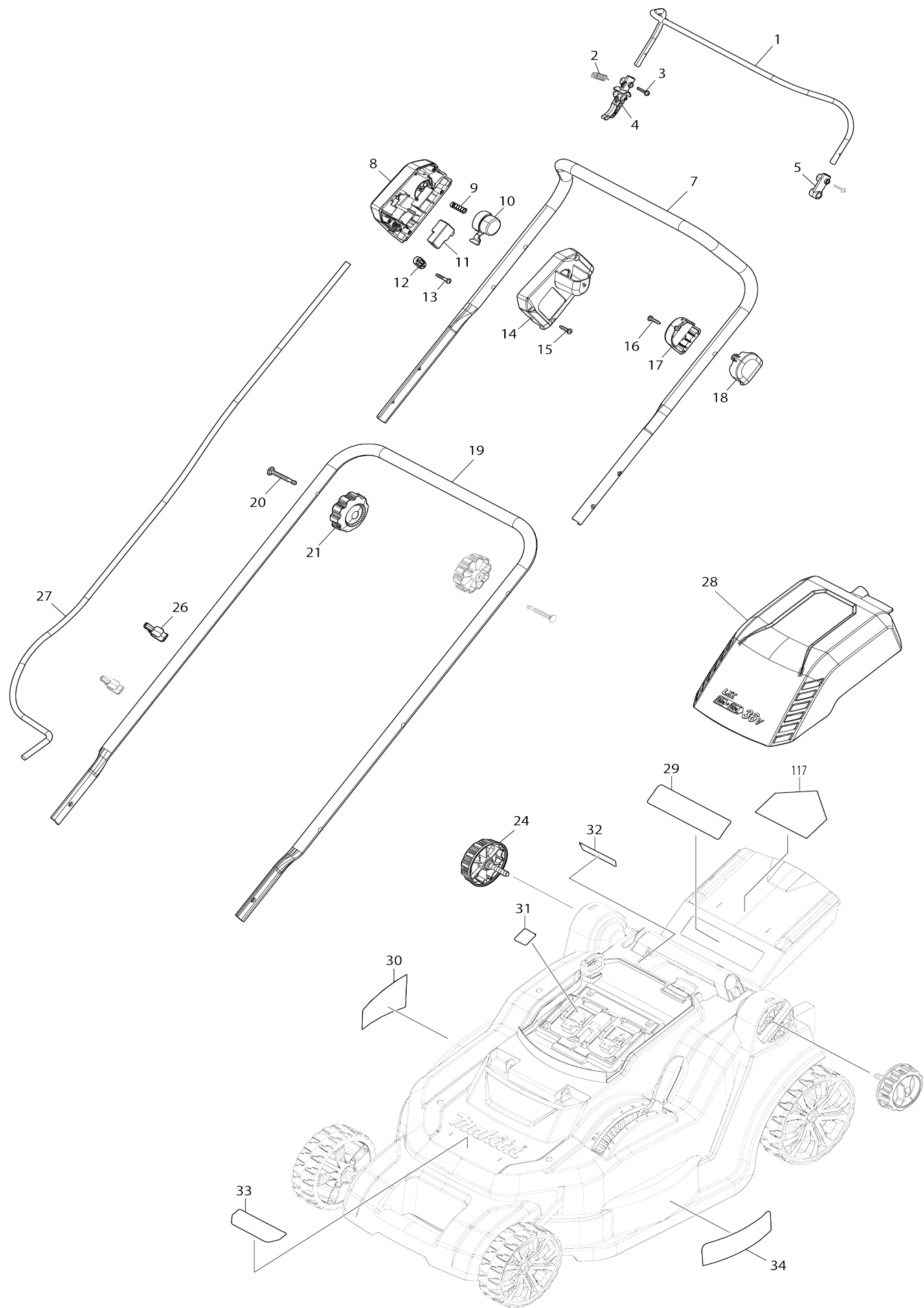
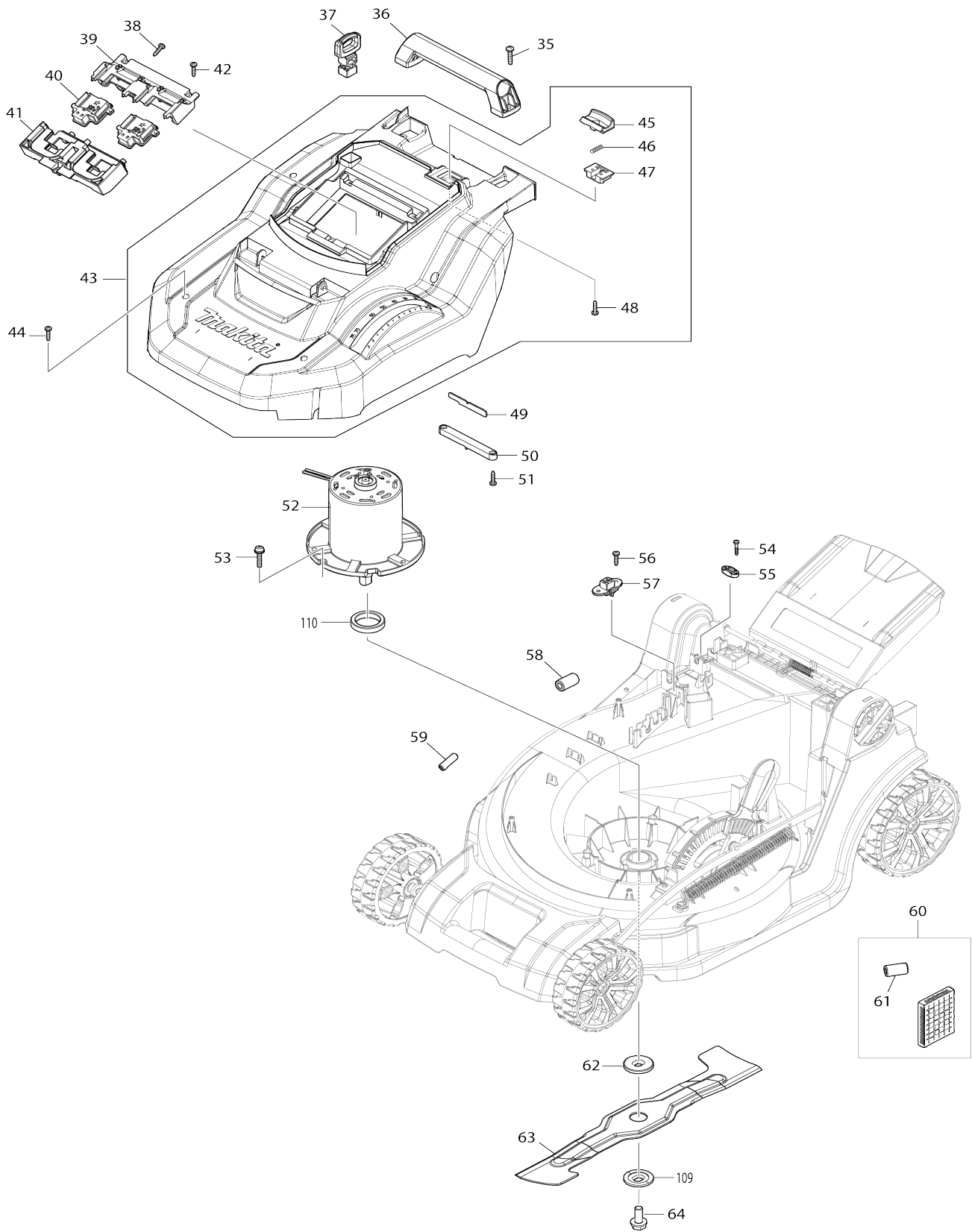


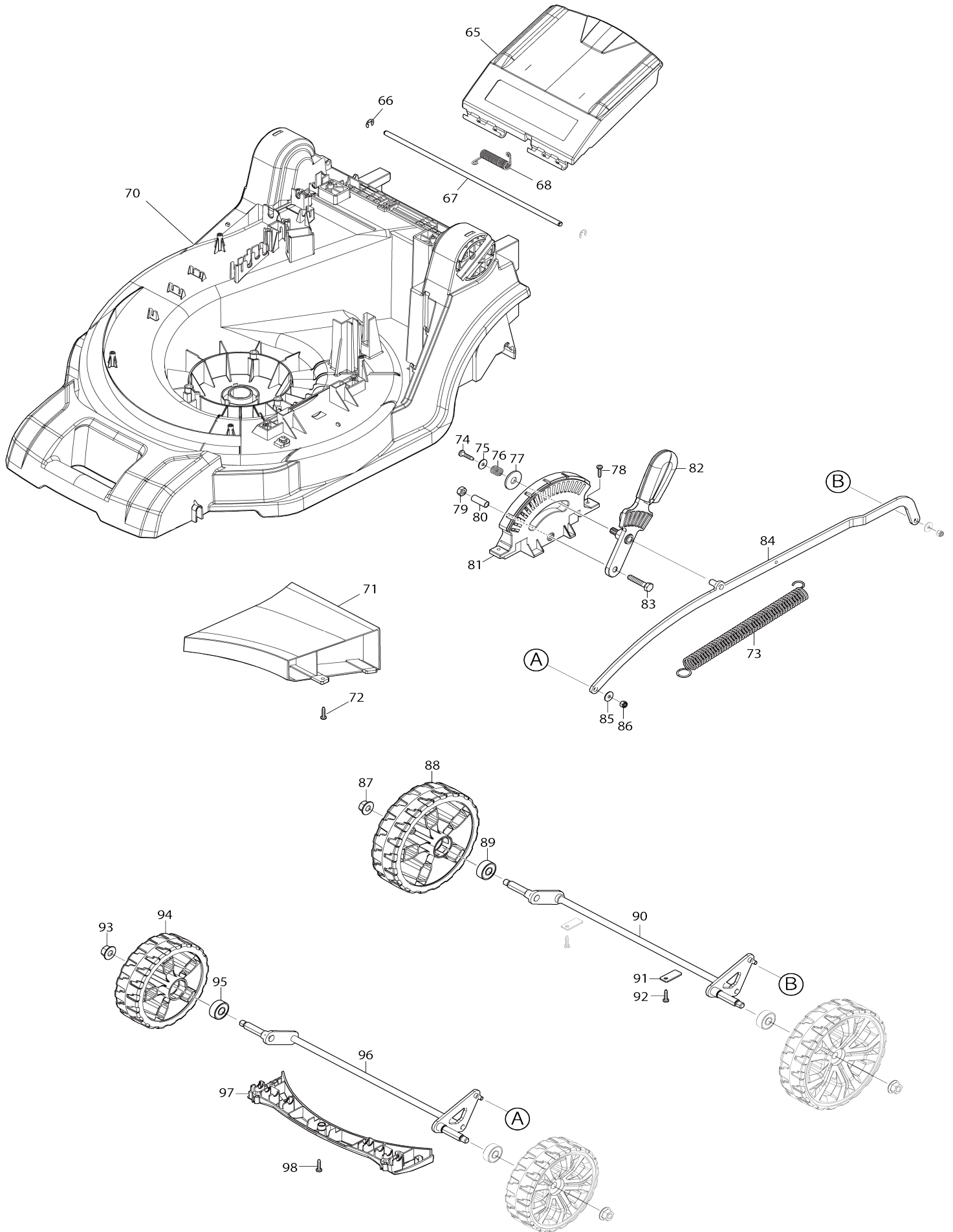
Model No.DLM432 430MM CORDLESS LAWN MOWER



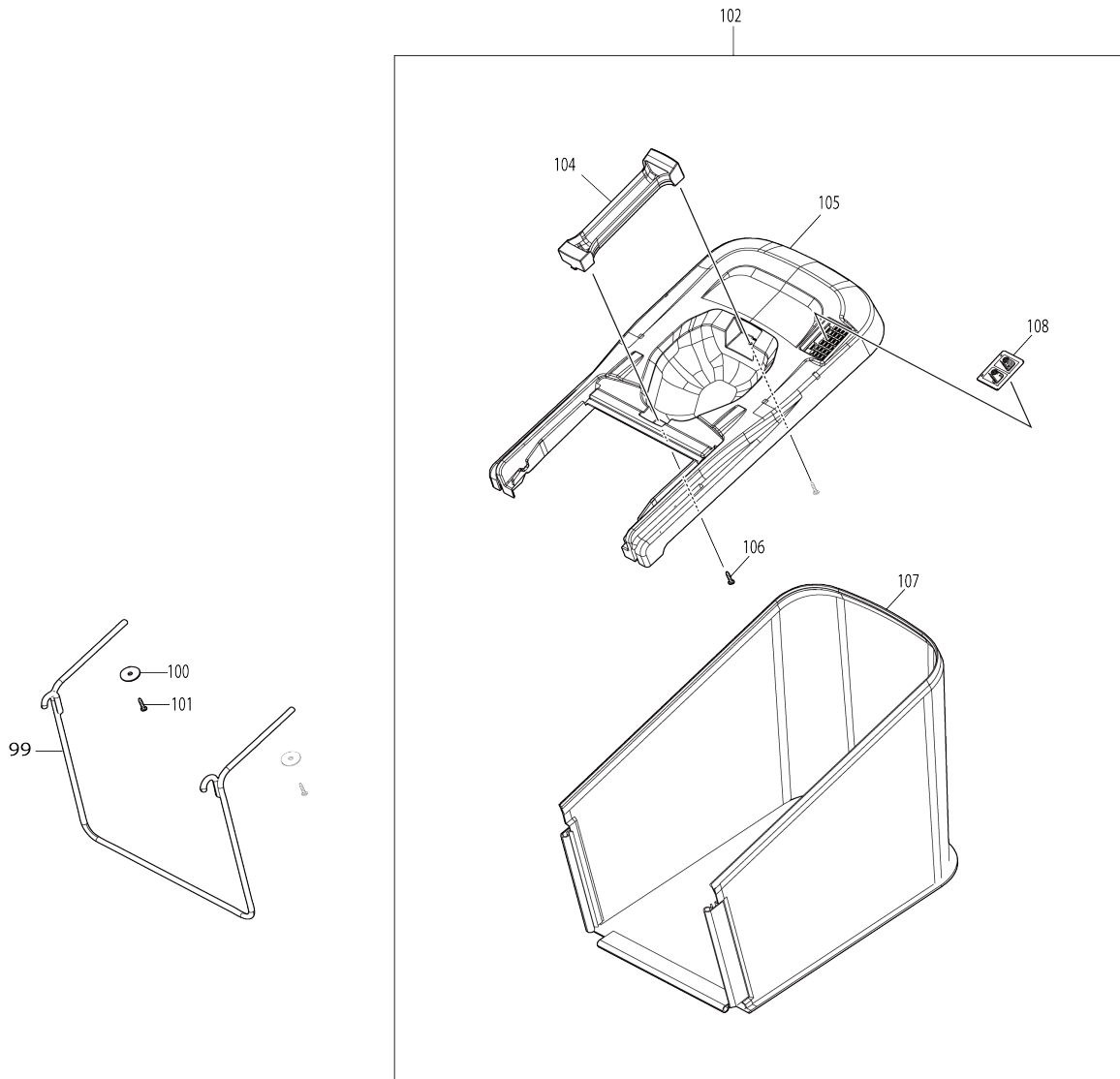
# Model No.DLM432 430MM CORDLESS LAWN MOWER



# Model No.DLM432 430MM CORDLESS LAWN MOWER



Model No.DLM432 430MM CORDLESS LAWN MOWER



Model No.DLM432 430MM CORDLESS LAWN MOWER

Item No.	Parts No.	Description	Interchangeability	Q'ty	New/Old	Note1	Note2
F01-1	191K57-9	TOOL HANGER SET	<	1			
001	326636-0	SWITCH LEVER		1			
002	231876-6	TENSION SPRING 9		1			
003	911138-5	P.H.SCREW M4X20 WITH WR		2			
004	455075-8	LEVER		1			
005	455078-2	ARM		1			
007	143510-5	UPPER PIPE COMPLETE		1			
008	459804-1	SWITCH BOX		1			
009	233068-3	COMPRESSION SPRING 6		1			
010	455074-0	SWITCH BUTTON		1			
011	650730-9	SWITCH TG72BD-6		1			
012	687124-5	STRAIN RELIEF		1			
013	265999-8	TAPPING SCREW 4X25		2	*		
013-1	265B73-4	TAPPING SCREW 4X25	O	2			
014	140N15-0	SWITCH BOX COVER COMPLETE K		1			
C10	890374-5	INDICATION LABEL		1			
015	266326-2	TAPPING SCREW 4X18		4	*		
015-1	265B67-9	TAPPING SCREW 4X18	O	4			
016	266326-2	TAPPING SCREW 4X18		1	*		
016-1	265B67-9	TAPPING SCREW 4X18	O	1			
017	456352-1	SWITCH LEVER CASE COVER		1			
018	456351-3	SWITCH LEVER CASE		1			
019	326635-2	LOWER PIPE		1			
020	265A14-4	CUP H. SQUARE NECK BOLT M6X50		2			
021	264070-5	THUMB NUT M6		2			
024	266729-0	THUMB SCREW M8X35		2			
026	459809-1	HOLDER		2			
027	660393-3	POWER SUPPLY CORD		1	*		
027-1	660396-7	POWER SUPPLY CORD	O	1	*		
027-2	660393-3	POWER SUPPLY CORD	O	1			
028	140N21-5	BATTERY COVER COMPLETE E		1	*		
C10	8005W1-7	CAUTION LABEL		1	*		
028-1	1410K1-7	BATTERY COVER COMPLETE E	O	1			
C10	8075Y8-8	CAUTION LABEL		1			
029	890375-3	CAUTION LABEL		1	*		
029-1	8075Y7-0	CAUTION LABEL	O	1			
030	856L50-3	DLM432 NAME PLATE		1			
031	856L57-9	DLM432 SERIAL NO. LABEL		1			
032	8005W9-1	INDICATION LABEL		1			
033	8005W4-1	INDICATION LABEL		1			
034	8005W5-9	INDICATION LABEL		1			
035	266459-3	TAPPING SCREW 5X25		2	*		
035-1	265D56-6	TAPPING SCREW 5X25	O	2			
036	273675-0	GRIP A		1			
037	643890-4	KEY		1			
038	266326-2	TAPPING SCREW 4X18		3	*		

038-1	265B67-9	TAPPING SCREW 4X18	O	3			
039	183N35-1	TERMINAL HOUSING SET		1			
C10	263005-3	RUBBER PIN 6		4			
D10		INC. 41					
040	644809-6	TERMINAL		2			
041	183N35-1	TERMINAL HOUSING SET		1			
C10	263005-3	RUBBER PIN 6		4			
D10		INC. 39					
042	266326-2	TAPPING SCREW 4X18		3	*		
042-1	265B67-9	TAPPING SCREW 4X18	O	3			
043	127387-6	COWLING M ASSEMBLY		1			
D10		INC. 45-48					
044	266326-2	TAPPING SCREW 4X18		4	*		
044-1	265B67-9	TAPPING SCREW 4X18	O	4			
045	453250-0	LOCK LEVER		1			
046	233173-6	COMPRESSION SPRING 4		1	*		
046-1	LC233173-6	COMPRESSION SPRING 4	O	1	*		
046-2	233173-6	COMPRESSION SPRING 4	O	1			
047	453251-8	LOCK LEVER SUPPORT		1			
048	266326-2	TAPPING SCREW 4X18		2	*		
048-1	265B67-9	TAPPING SCREW 4X18	O	2			
049	620B91-3	LED CIRCUIT		1			
050	455070-8	LED COVER		1			
051	266326-2	TAPPING SCREW 4X18		2	*		
051-1	265B67-9	TAPPING SCREW 4X18	O	2			
052	629A18-4	DC MOTOR		1	*		
052-1	629A18-4	DC MOTOR	O	1	*		
052-2	629C53-4	DC MOTOR	<	1			
053	266774-5	+ PAN HEAD SCREW M6X30 WIT H WR		3	*		
053-1	266774-5	+ PAN HEAD SCREW M6X30 WIT H WR	O	3	*		
053-2	265D69-7	+PAN HEAD SCREW M6X30 WITH WRM	O	3			
054	265999-8	TAPPING SCREW 4X25		2	*		
054-1	265B73-4	TAPPING SCREW 4X25	O	2			
055	687124-5	STRAIN RELIEF		1			
056	266326-2	TAPPING SCREW 4X18		2	*		
056-1	265B67-9	TAPPING SCREW 4X18	O	2			
057	638946-6	LEAD UNIT		1			
060	632P20-8	CONTROLLER UNIT		1	*		
C10	654208-4	RECEPTACLE		1	*		
060-1	632U27-4	CONTROLLER UNIT	<	1			
C10	654199-9	RECEPTACLE		1			
062	224444-2	INNER FLANGE 40		1			
063	191D43-8	BLADE 430 SET		1			
064	266731-3	HEX. BOLT M10X25		1			
065	140S15-0	REAR FLAP COMPLETE		1	*		
D10		INC. 29					
065-1	1410K0-9	REAR FLAP COMPLETE	O	1			
D10		INC. 29					
066	LC961018-5	STOP RING (EXT) E-5		2	*		

066-1	961018-5	STOP RING E-5	O	2		
067	259067-7	ROD 6		1		
068	LC233597-6	TORSION SPRING 8		1	*	
068-1	233597-6	TORSION SPRING 8	O	1		
070	459780-9	DECK		1	*	
C10	346544-9	PLATE NUT M8		2	*	
C20	931302-2	HEX. NUT M6		3	*	
070-1	413T64-9	DECK	S	1		
C10	346544-9	PLATE NUT M8		2		
C20	931302-2	HEX. NUT M6		3		
071	412272-9	UNDER COVER		1		
072	266326-2	TAPPING SCREW 4X18		3	*	
072-1	265B67-9	TAPPING SCREW 4X18	O	3		
073	LC231875-8	TENSION SPRING 16		1	*	
073-1	231875-8	TENSION SPRING 16	O	1		
074	266326-2	TAPPING SCREW 4X18		1	*	
074-1	265B67-9	TAPPING SCREW 4X18	O	1		
075	LC267102A7	FLAT WASHER 4		1	*	
075-1	267102-7	FLAT WASHER 4	O	1	*	
075-2	253607-3	FLAT WASHER 4	O	1		
076	LC231297-2	COMPRESSION SPRING 9		1	*	
076-1	231297-2	COMPRESSION SPRING 9	O	1		
077	LC253808A3	FLAT WASHER 9		1	*	
077-1	253808-3	FLAT WASHER 9	O	1		
078	266326-2	TAPPING SCREW 4X18		2	*	
078-1	265B67-9	TAPPING SCREW 4X18	O	2		
079	931302-2	HEX. NUT M6		1		
080	LC257670A8	SLEEVE 6		1	*	
080-1	257670-8	SLEEVE 6	O	1		
081	453255-0	ADJUST PLATE		1		
082	459099-6	CHANGE LEVER		1		
083	LC921352-5	HEX.BOLT M6X30		1	*	
083-1	921352-5	HEX. BOLT M6X30	O	1		
084	346543-1	CONNECTING ROD		1		
085	LC941101-4	FLAT WASHER 5		2	*	
085-1	941101-4	FLAT WASHER 5	O	2		
086	252103-8	HEX. LOCK NUT M5-8		2		
087	LC252145-2	COLLARED HEX. NUT M8		2	*	
087-1	252145-2	COLLARED HEX NUT M8	O	2		
088	459101-5	REAR WHEEL		2		
089	LC210070-3	BALL BEARING 6200ZZ		2	*	
089-1	210070-3	BALL BEARING 6200ZZ	O	2	*	
089-2	210303-6	BALL BEARING 6200ZZ	O	2		
090	165669-8	REAR SHAFT		1	*	
090-1	162C97-6	REAR SHAFT	<	1		
091	LC346545-7	PLATE		2	*	
091-1	346545-7	PLATE	O	2		
092	266326-2	TAPPING SCREW 4X18		2	*	
092-1	265B67-9	TAPPING SCREW 4X18	O	2		
093	LC252145-2	COLLARED HEX. NUT M8		2	*	
093-1	252145-2	COLLARED HEX NUT M8	O	2		
094	459100-7	FRONT WHEEL		2		

095	LC210070-3	BALL BEARING 6200ZZ		2	*		
095-1	210070-3	BALL BEARING 6200ZZ	O	2	*		
095-2	210303-6	BALL BEARING 6200ZZ	O	2			
096	165668-0	FRONT SHAFT		1	*		
096-1	162C68-3	FRONT SHAFT	O	1			
097	456353-9	FRONT COVER		1			
098	266326-2	TAPPING SCREW 4X18		5	*		
098-1	265B67-9	TAPPING SCREW 4X18	O	5			
099	327409-4	REAR BAG ROD		1	*		
099-1	327411-7	REAR BAG ROD	S	1			
100	267438-4	FLAT WASHER 5		2			
101	266326-2	TAPPING SCREW 4X18		2	*		
101-1	265B67-9	TAPPING SCREW 4X18	O	2			
102	127386-8	REAR BAG ASSEMBLY M		1	*		
D10		INC. 104-108					
102-1	127392-3	REAR BAG ASSEMBLY M	S	1			
D10		INC. 104-108					
104	273676-8	GRIP B		1			
105	459807-5	REAR BAG COVER		1			
106	266326-2	TAPPING SCREW 4X18		2	*		
106-1	265B67-9	TAPPING SCREW 4X18	O	2	*		
106-2	266326-2	TAPPING SCREW 4X18	O	2			
107	162680-1	REAR BAG		1			
108	459806-7	INDICATOR M		1			
109	224445-0	OUTER FLANGE 40		1			
A01	782210-8	SOCKET WRENCH 17		1			

Please state Parts No. when your order.

Print Date 05/10/2024