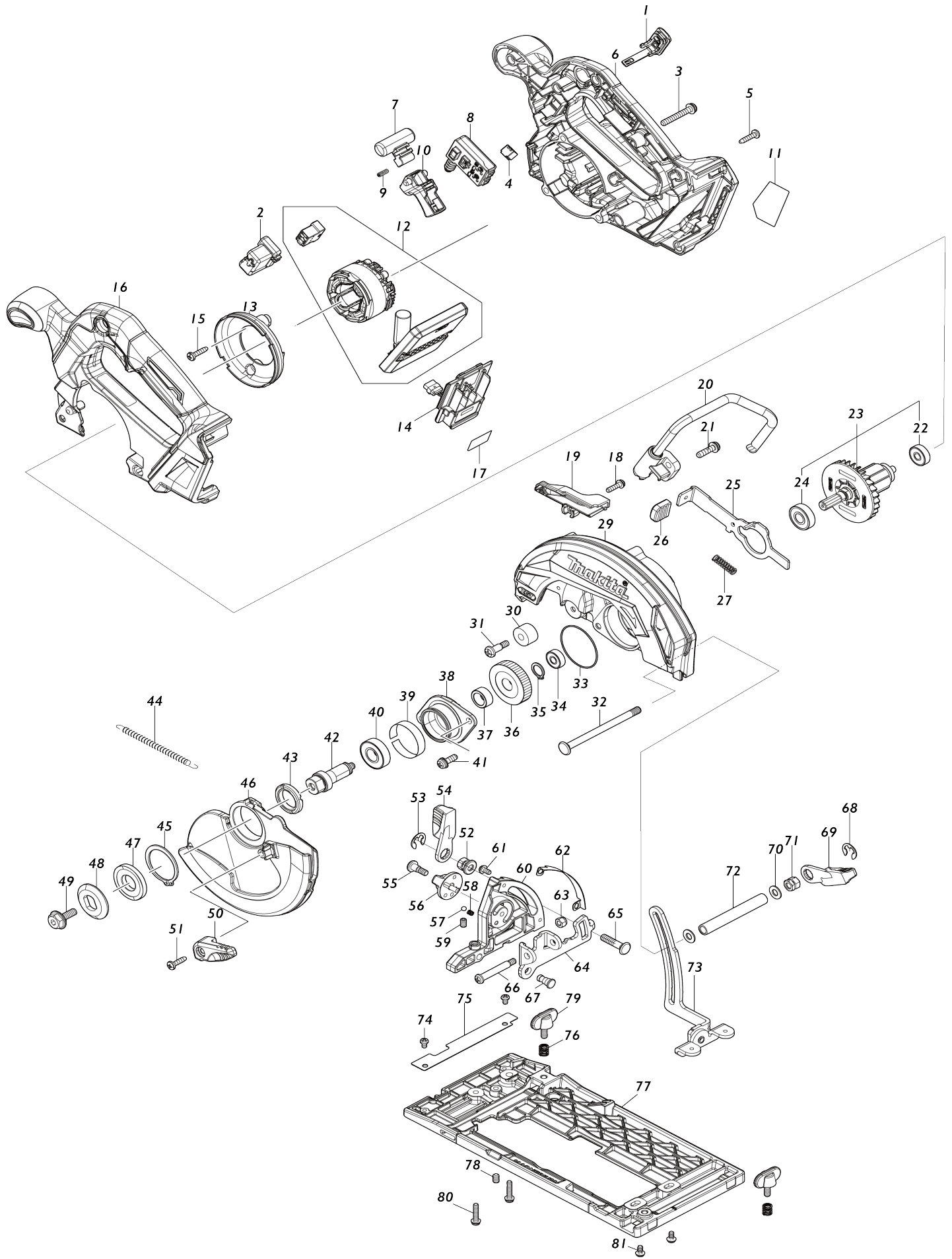


# Model No.HS012G 165MM CORDLESS CIRCULAR SAW



Model No.HS012G 165MM CORDLESS CIRCULAR SAW

Item No.	Parts No.	Description	Interchangability	Q'ty	New/Old	Note1	Note2
001	140G30-2	CAP COMPLETE		1			
C10	213A05-9	O-RING16		1			
002	459256-6	HOLDER		1			
003	911258-5	PAN HEAD SCREW M5X35		3			
004	620936-3	LED CIRCUIT		1			
005	265995-6	TAPPING SCREW 4X18		8			
006	136839-6	MOTOR HOUSING ASSEMBLY		1			
C10	263005-3	RUBBER PIN 6		1			
007	419704-7	LOCK OFF BUTTON		1			
008	650008-0	SWITCH C3XB-1LPSPM		1	*		
008-1	650039-9	SWITCH C3XB-1LPSPM	O	1			
009	231433-0	COMPRESSION SPRING 4		1			
010	413N46-5	SWITCH LEVER		1			
011	8586D6-4	HS012G NAME PLATE		1			
012	629B81-3	STATOR COMPLETE		1			
013	413N45-7	BAFFLE PLATE		1			
014	632P65-6	TERMINAL UNIT		1			
015	265995-6	TAPPING SCREW 4X18		2			
016	136840-1	HANDLE COVER ASSEMBLY		1			
C10	263005-3	RUBBER PIN 6		1			
017	8586E4-5	HS012G SERIAL NO. LABEL		1			
018	911128-8	P.H.SCREW M4X16 WITH WR		1			
019	455483-3	DUCT		1			
020	122D67-3	HOOK ASSEMBLY		1			
021	911233-1	PAN HEAD SCREW M5X20		2			
022	210022-4	BALL BEARING 626DDW		1			
023	519778-9	ROTOR ASSEMBLY		1			
D10		INC. 22,24					
024	211491-2	BALL BEARING 609DDW		1			
025	346837-4	SHAFT LOCK		1			
026	286039-9	CAP		1			
027	233117-6	COMPRESSION SPRING 6		1			
029	183Y42-0	BLADE CASE SET		1			
C10	213953-6	O RING 24		1			
C20	8007R2-2	XGT LOGO LABEL		1			
030	262552-1	RUBBER SLEEVE 6		1			
031	265115-2	+ PAN HEAD SCREW M5		1			
032	266194-3	FLAT HEAD SCREW M6X90		1			
033	213565-5	O RING 42		1			
034	210206-4	BALL BEARING 606ZZ		1			
035	961052-5	RETAINING RING (EXT) S-12		1			
036	227A40-1	HELICAL GEAR 52		1			
037	257349-1	SLEEVE 12		1			
038	319212-7	BEARING BOX		1			
039	347B30-5	THICKNESS RING 34		1			
040	211131-2	BALL BEARING 6001DDW		1			
041	911223-4	PAN HEAD SCREW M5X16		2			

042	326459-6	SPINDLE		1		
043	285845-9	BEARING RETAINER 19-29		1		
044	231878-2	TENSION SPRING 4		1		
045	961152-1	RETAINING RING (EXT) S-34		1		
046	312D77-0	SAFETY COVER		1		
047	224593-5	INNER FLANGE 35		1		
048	224409-4	OUTER FLANGE 35		1		
049	266924-2	HEX. SOCKET HEX. BOLT M6X18		1		
050	271474-4	LEVER 37		1		
051	266034-5	TAPPING SCREW CT 4X16		1		
052	252320-0	HEX. NUT M6		1		
053	257982-9	BOW STOP RING E-8		1		
054	271446-9	LEVER 45		1		
055	251370-2	+ PAN HEAD SCREW M5		1		
056	413N47-3	DIAL 27		1		
057	216008-6	STEEL BALL 4		1		
058	233314-4	COMPRESSION SPRING 4		1		
059	266436-5	H.S.SET SCREW(FLAT POINT)M5X 8		1		
060	312D78-8	ANGULAR PLATE		1		
061	251358-2	+ PAN HEAD SCREW M4X8		2		
062	347A92-7	BEVEL GUIDE		1		
063	252103-8	HEX. LOCK NUT M5-8		1		
064	347A90-1	ANGULAR GUIDE		1		
065	266309-2	CAP SQUARE NECK BOLT M6X26		1		
066	265056-2	+ PAN HEAD SCREW M5		1		
067	256511-5	SHOULDER PIN 6-7		1		
068	257982-9	BOW STOP RING E-8		1		
069	271446-9	LEVER 45		1		
070	941151-9	FLAT WASHER 6		2		
071	264103-6	HEX. NUT M6		1		
072	332126-3	PIPE 6		1		
073	162C19-6	DEPTH GUIDE COMPLETE		1		
074	911102-6	PAN HEAD SCREW M4X6		2		
075	347A93-5	TOP GUIDE		1		
076	231456-8	COMPRESSION SPRING 7		2		
077	312D76-2	BASE		1		
078	266436-5	H.S.SET SCREW(FLAT POINT)M5X 8		1		
079	265720-5	THUMB SCREW M5X14		2		
080	911138-5	P.H.SCREW M4X20 WITH WR		2		
081	265648-7	PAN HEAD SCREW M4X8		2		
A01	783203-8	HEX. WRENCH 5		1		
A02	196961-1	DUST NOZZLE SET		1		
C10	911128-8	P.H.SCREW M4X16 WITH WR		1		
A03	B-62985	TCT BLADE165X25T WOOD EFFIC UT		1		
A04	164095-8	GUIDE RULE		1		
F01	199140-0	GUIDE RAIL 1000 SET		1		
F23	198885-7	GUIDE RAIL CONNECTOR SET(EU )		1		

Please state Parts No. when your order.

Print Date 10/27/2023