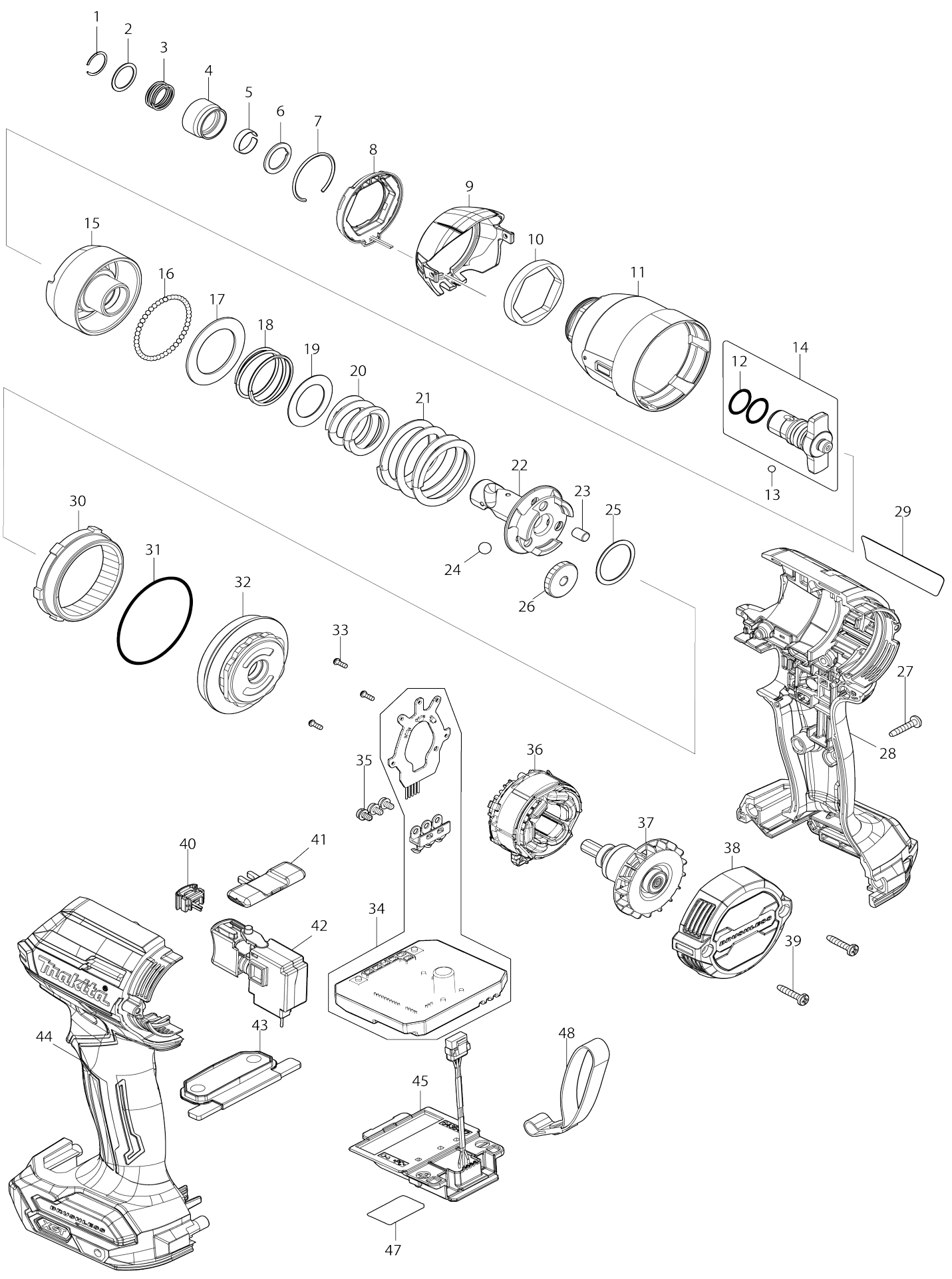


Model No.TD002G CORDLESS IMPACT DRIVER



Model No.TD002G CORDLESS IMPACT DRIVER

| Item No. | Parts No. | Description | Interchangability | Q'ty | New/Old | Note1 | Note2 |
|----------|-----------|----------------------------|-------------------|------|---------|-------|-------|
| 001 | 231952-6 | RING SPRING 12 | | 1 | | | |
| 002 | 267101-9 | FLAT WASHER 14 | | 1 | | | |
| 003 | 232592-3 | COMPRESSION SPRING 14 | | 1 | | | |
| 004 | 327989-0 | BIT SLEEVE | | 1 | | | |
| 005 | 232692-9 | LEAF SPRING | | 1 | | | |
| 006 | 253496-6 | FLAT WASHER 13 | | 1 | | | |
| 007 | 232751-9 | RING SPRING 27 | | 1 | | | |
| 008 | 620H90-1 | LED CURCUIT | | 1 | | | |
| 009 | 413L58-6 | HAMMER CASE COVER | | 1 | | | |
| 010 | 422874-3 | SPONGE SHEET | | 1 | | | |
| 011 | 141J66-2 | HAMMER CASE COMPLETE | | 1 | | | |
| 012 | 213166-9 | O RING 12.5 | | 2 | | | |
| 013 | 216001-0 | STEEL BALL 3.5 | | 2 | | | |
| 014 | 136936-8 | ANVIL M ASSEMBLY | | 1 | | | |
| D10 | | INC. 12 | | | | | |
| 015 | 327985-8 | HAMMER | | 1 | | | |
| 016 | 216015-9 | STEEL BALL 2.4 | | 45 | | | |
| 017 | 253559-8 | FLAT WASHER 26 | | 1 | | | |
| 018 | 232750-1 | COMPRESSION SPRING 26 | | 1 | | | |
| 019 | 253560-3 | FLAT WASHER 19 | | 1 | | | |
| 020 | 232749-6 | COMPRESSION SPRING 20 | | 1 | | | |
| 021 | 232748-8 | COMPRESSION SPRING 31 | | 1 | | | |
| 022 | 327984-0 | SPINDLE | | 1 | | | |
| 023 | 256A12-9 | PIN 5 | | 3 | | | |
| 024 | 216013-3 | STEEL BALL 6 | | 2 | | | |
| 025 | 267283-7 | FLAT WASHER 21 | | 1 | | | |
| 026 | 227956-4 | SPUR GEAR 24 | | 3 | | | |
| 027 | 266130-9 | TAPPING SCREW BIND PT 3X16 | | 8 | | | |
| 028 | 183V61-8 | HOUSING SET | | 1 | | | |
| C10 | 263005-3 | RUBBER PIN 6 | | 2 | | | |
| C20 | 252126-6 | HEX. LOCK NUT M4-7 | | 2 | | | |
| C30 | 8007R2-2 | XGT LOGO LABEL | | 1 | | | |
| D10 | | INC. 44 | | | | | |
| 029 | 858P41-4 | TD002G NAME PLATE | | 1 | | | |
| 030 | 227957-2 | INTERNAL SPUR GEAR 56 | | 1 | | | |
| 031 | 213A18-0 | O-RING 45 | | 1 | | | |
| 032 | 141J65-4 | BEARING BOX COMPLETE | | 1 | | | |
| 033 | 266490-9 | TAPPING SCREW PT 2X6 | | 3 | | | |
| 034 | 620H91-9 | CONTROLLER | | 1 | | | |
| 035 | 652069-6 | FLAT HEAD SCREW M3X6 | | 3 | | | |
| 036 | 629464-5 | STATOR | | 1 | | | |
| 037 | 619748-9 | ROTOR | | 1 | | | |
| 038 | 413G19-6 | REAR COVER | | 1 | | | |
| 039 | 266130-9 | TAPPING SCREW BIND PT 3X16 | | 2 | | | |
| 040 | 632T17-1 | SWITCH UNIT | | 1 | | | |
| 041 | 455053-8 | F/R CHANGE LEVER | | 1 | | | |
| 042 | 651442-7 | SWITCH C3JR-1A-1 | | 1 | | | |
| | | | | | | | |

| | | | | | | |
|-----|-----------|-------------------------------|--|---|--|--|
| 043 | 141L82-6 | SWITCH PLATE COMPLETE | | 1 | | |
| 044 | 183V61-8 | HOUSING SET | | 1 | | |
| C10 | 263005-3 | RUBBER PIN 6 | | 2 | | |
| C20 | 252126-6 | HEX. LOCK NUT M4-7 | | 2 | | |
| C30 | 8007R2-2 | XGT LOGO LABEL | | 1 | | |
| D10 | | INC. 28 | | | | |
| 045 | 632P49-4 | TERMINAL UNIT | | 1 | | |
| 047 | 858P42-2 | TD002G SERIAL NO.LABEL | | 1 | | |
| A01 | 266622-8 | + TRUSS HEAD SCREW M4X12 | | 1 | | |
| A02 | 346317-0 | HOOK | | 1 | | |
| A11 | 784044-5 | +BIT2-50 | | 1 | | |
| A04 | 412393-7 | BATTERY COVER | | 1 | | |
| A05 | ***DC40RA | DC40RA FAST CHARGER | | 1 | | |
| D10 | | COMPO-PARTS | | | | |
| A06 | 191B36-3 | BATTERY BL4025 SET | | 2 | | |
| A07 | 821883-3 | PLASTIC CASE | | 1 | | |
| C10 | 458362-4 | LATCH | | 2 | | |
| C20 | 413G37-4 | LATCH | | 1 | | |
| A08 | 8057F0-7 | TD002GD202 PLASTIC CASE LABEL | | 2 | | |

Please state Parts No. when your order.

Print Date 27/10/2023