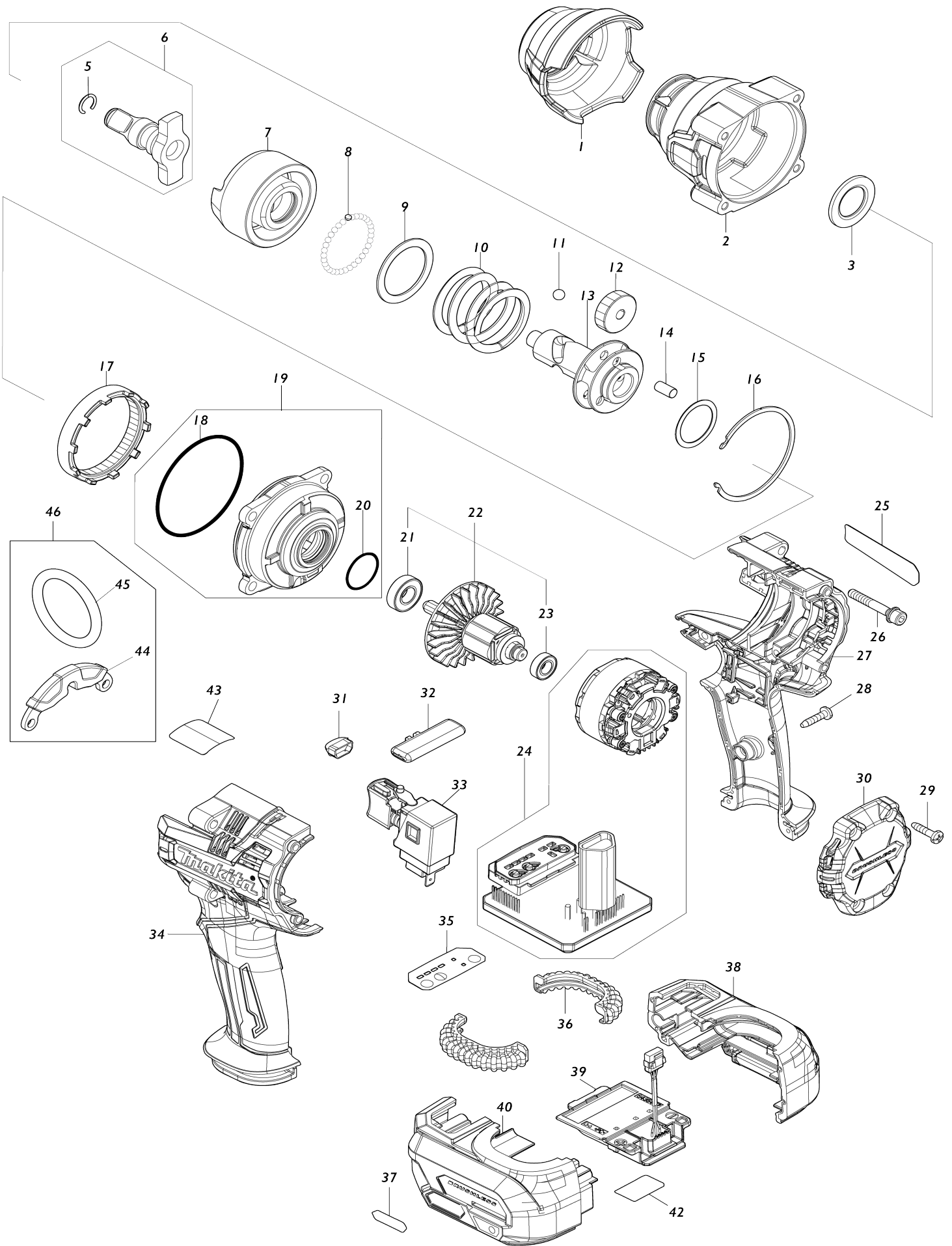


Model No.TW007G CORDLESS IMPACT WRENCH



Model No.TW007G CORDLESS IMPACT WRENCH

Item No.	Parts No.	Description	Interchangability	Q'ty	New/Old	Note1	Note2
001	422709-8	BUMPER		1			
002	141A99-3	HAMMER CASE COMPLETE		1	*		
002-1	141U36-7	HAMMER CASE COMPLETE	<	1			
003	253481-9	FLAT WASHER 20		1			
005	231907-1	RING SPRING 10		1			
006	136410-6	ANVIL E ASSY		1			
D10		INC. 5					
007	327804-8	HAMMER		1			
008	216001-0	STEEL BALL 3.5		33			
009	267340-1	FLAT WASHER 32		1			
010	232708-0	COMPRESSION SPRING 34		1			
011	216007-8	STEEL BALL 6.4		2			
012	227891-6	SPUR GEAR 28		3			
013	327805-6	SPINDLE		1			
014	256211-7	PIN 6		3			
015	267494-4	FLAT WASHER 25		1	*		
015-1	267127-1	FLAT WASHER 26	O	1			
016	347832-7	RETAINER		1			
017	227892-4	INTERNAL SPUR GEAR 65		1			
018	213709-7	O RING 63		1			
019	136420-3	INTERNAL GEAR CASE ASSY		1			
D10		INC. 18,20					
020	213961-7	O RING 22		1			
021	210069-8	BALL BEARING 6900DDW		1			
022	519691-1	ROTOR ASSY		1			
D10		INC. 21,23					
023	210261-6	BALL BEARING 688LLB		1			
024	629A72-8	STATOR COMPLETE		1			
025	811F51-2	TW007G NAME PLATE		1			
026	251476-6	H.S.H.BOLT M5X35 WITH WR		4	*		
026-1	265D13-4	H.S.H.BOLT M5X35 WITH WRM	<	4			
027	183S74-1	HOUSING SET		1			
D10		INC. 34					
028	266326-2	TAPPING SCREW 4X18		7			
029	266326-2	TAPPING SCREW 4X18		4			
030	413602-7	REAR COVER		1			
031	620F48-8	LED CIRCUIT		1			
032	413603-5	F/R CHANGE LEVER		1			
033	140U03-9	SWITCH COMPLETE		1			
C10	424774-3	SWITCH COVER		1			
034	183S74-1	HOUSING SET		1			
D10		INC. 27					
035	8012S9-8	SWITCH LABEL		1			
036	424773-5	CUSHION RUBBER		2	*		
036-1	422A56-3	CUSHION RUBBER	<	2			
037	8005T5-8	XGT LOGO LABEL		1			
038	183S77-5	BATTERY HOUSING SET		1			

C10	263005-3	RUBBER PIN 6		2		
C20	252126-6	HEX. LOCK NUT M4-7		2		
D10		INC. 40				
039	632R99-1	TERMINAL UNIT		1		
040	183S77-5	BATTERY HOUSING SET		1		
C10	263005-3	RUBBER PIN 6		2		
C20	252126-6	HEX. LOCK NUT M4-7		2		
D10		INC. 38				
042	811F57-0	TW007G SERIAL NO. LABEL		1		
A01	251314-2	+ SCREW M4X12		1		
A02	346949-3	HOOK		1		
F01	191G67-2	EXTENSION HANDLE SET		1		
A03	821551-8	CONNECTOR PLASTIC CASE (TYP E3)		1		
C10	453974-8	LATCH		4		
A04	835K85-1	INNER TRAY		1		
A07	412393-7	BATTERY COVER		2	*	
A07-1	412393-7	BATTERY COVER	<	1		
A08	***DC40RA	DC40RA FAST CHARGER		1		
D10		COMPO-PARTS				
A09	191B26-6	BATTERY BL4040 SET		2		

Please state Parts No. when your order.

Print Date 27/10/2023