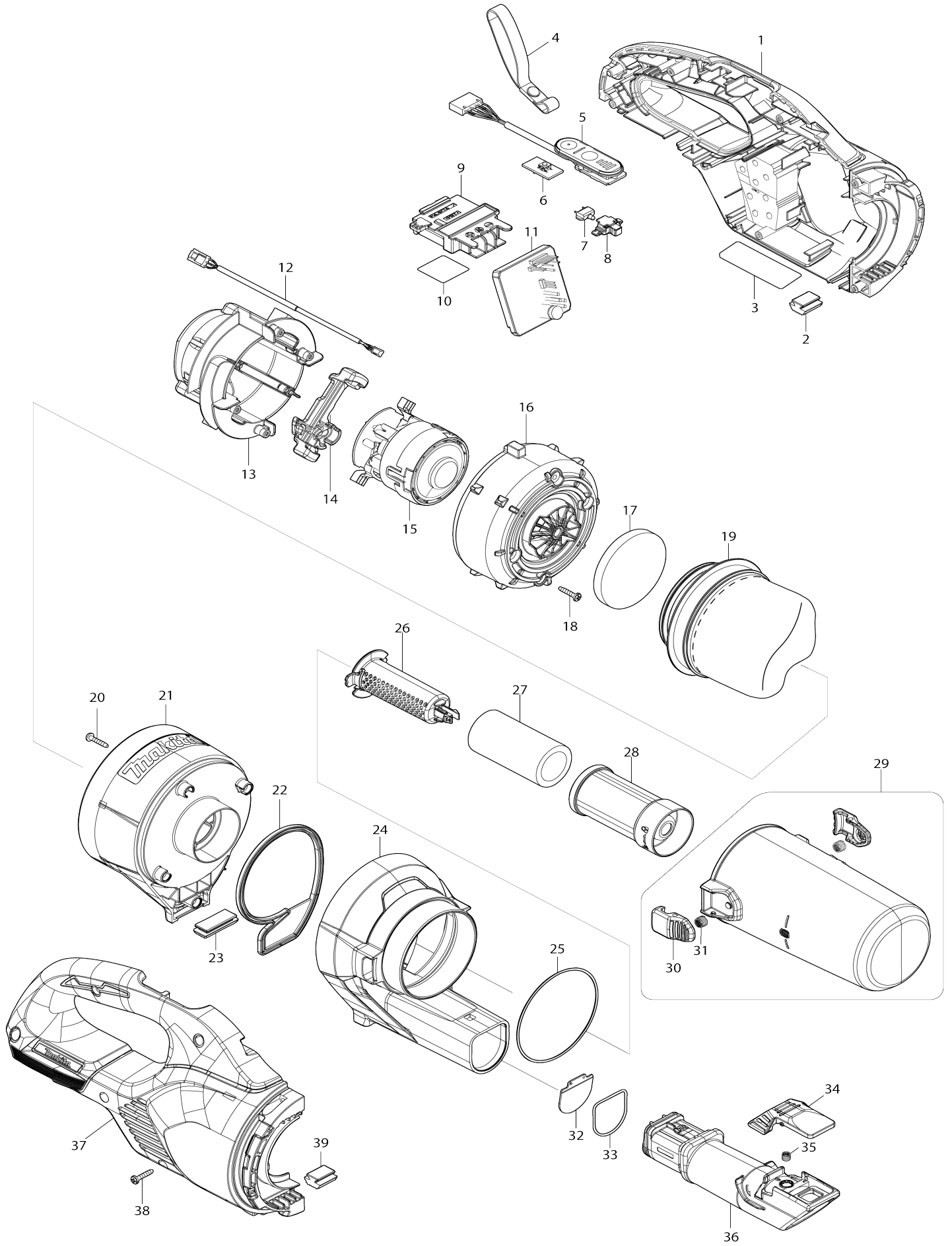


Model No.DCL286F CORDLESS CLEANER



Model No.DCL286F CORDLESS CLEANER

Item No.	Parts No.	Description	Interchangability	Q'ty	New/Old	Note1	Note2
001	183Y66-6	HOUSING SET		1			
C10	263005-3	RUBBER PIN 6		2			
C20	422974-9	SPONGE SHEET		2			
D10		INC. 2,37,39					
002	422460-0	RUBBER PLATE		1			
003	8588M1-9	DCL286F NAME PLATE		1			
004	163400-6	HANDSTRAP		1			
005	141B54-1	INDICATION CIRCUIT COMPLETE		1			
006	620E74-1	SWITCH UNIT		1			
007	620E82-2	LED CIRCUIT		1			
008	141H09-2	LED CASE COMPLETE		1			
009	643874-2	TERMINAL		1			
010	8588N3-2	DCL286F SERIAL NO. LABEL		1			
011	620L20-6	CONTROLLER		1			
C10	688163-8	LINE FILTER		1			
012	632S32-9	LEAD UNIT		1			
013	141E55-7	MOTOR COVER R COMPLETE		1			
C10	263002-9	RUBBER PIN 4		4			
014	422723-4	MOTOR COVER SEAL		1			
015	629B87-1	MOTOR ASSEMBLY		1			
016	413645-9	MOTOR COVER F		1			
017	422909-0	SPONGE SHEET 62		1			
018	266429-2	TAPPING SCREW 3X16		4			
019	1910C7-9	HIGH PERFORMANCE FILTER SET		1			
020	266429-2	TAPPING SCREW 3X16		4			
021	413H34-6	FILTER HOUSING		1			
022	422884-0	SEAL		1			
023	422885-8	RUBBER PLATE		1			
024	413H35-4	FRONT HOUSING		1			
025	213884-9	O RING 72		1			
026	413H21-5	MESH PIPE		1			
027	422908-2	SPONGE FILTER		1			
028	413H29-9	PREFILTER		1			
029	136713-8	DUST BOX ASSEMBLY		1			
D10		INC. 30,31					
030	459106-5	STOPPER		2			
031	232460-0	COMPRESSION SPRING 7		2			
032	422886-6	VALVE		1			
033	213837-8	O-RING 29		1			
034	413H20-7	LEVER		1			
035	232485-4	COMPRESSION SPRING 5		1			
036	413H36-2	INLET		1			
037	183Y66-6	HOUSING SET		1			
C10	263005-3	RUBBER PIN 6		2			
C20	422974-9	SPONGE SHEET		2			
D10		INC. 1,2,39					
038	266429-2	TAPPING SCREW 3X16		7			

039	422460-0	RUBBER PLATE		1		
A01	127827-4	NOZZLE ASSEMBLY		1		
C10	268208-4	PIN 3		4		
C20	451410-8	ROLLER		4		
C30	422963-4	WIPER		1		
A02	413859-0	SASH NOZZLE		1		
A03	459355-4	NOZZLE HOLDER		1		
A04	459356-2	PIPE		1		
F18	1911L1-0	CLEANER STAND SET		1		
A05	***DC18RC	DC18RC FAST CHARGER		1		
D10		COMPO-PARTS				
A06	197280-8	BATTERY BL1850B SET		1		
A07	450128-8	BATTERY COVER		1		
001	183Y52-7	HOUSING SET		1		
021	413H18-4	FILTER HOUSING		1		
024	413H19-2	FRONT HOUSING		1		
036	413H25-7	INLET		1		
037	183Y52-7	HOUSING SET		1		
A01	127825-8	NOZZLE ASSEMBLY		1		
A02	413770-6	SASH NOZZLE		1		
A03	459354-6	NOZZLE HOLDER		1		
A04	459353-8	PIPE		1		
001	183Y67-4	HOUSING SET		1		
021	413H37-0	FILTER HOUSING		1		
024	413H38-8	FRONT HOUSING		1		
036	413H39-6	INLET		1		
037	183Y67-4	HOUSING SET		1		
A01	127828-2	NOZZLE ASSEMBLY		1		
A02	413809-5	SASH NOZZLE		1		
A03	459038-6	NOZZLE HOLDER		1		
A04	458942-6	PIPE		1		

Please state Parts No. when your order.

Print Date 10/24/2023