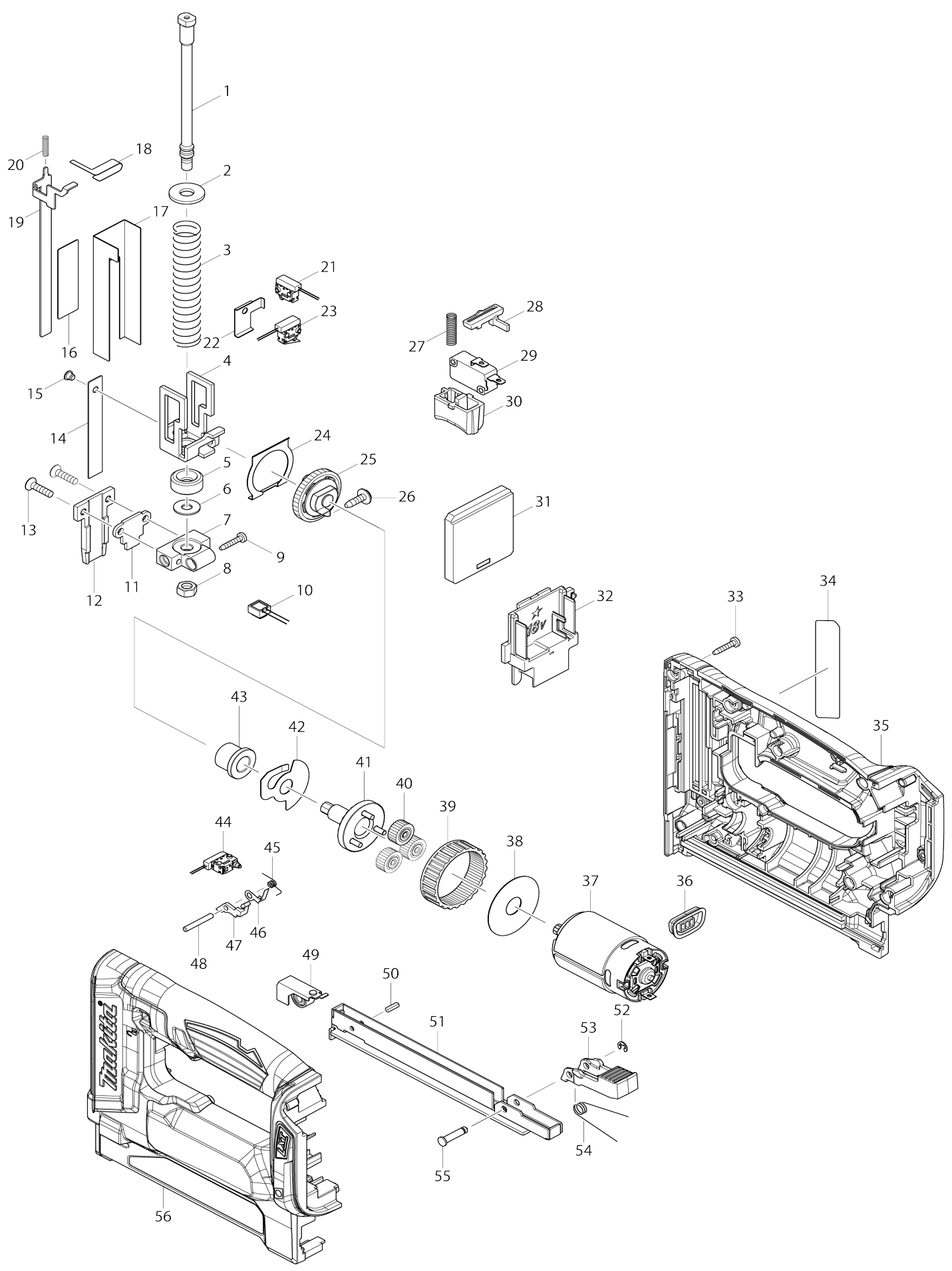


Model No.DST112 CORDLESS STAPLER



Model No.DST112 CORDLESS STAPLER

Item No.	Parts No.	Description	Interchangability	Q'ty	New/Old	Note1	Note2
001	326731-6	GUIDE BOLT		1			
002	253762-1	FLAT WASHER 8		1			
003	232297-5	COMPRESSION SPRING 13		1			
004	347023-0	HAMMER		1			
005	424099-5	CUSHION		1			
006	253804-1	FLAT WASHER 6		1			
007	319425-0	HOLDER		1	*		
007-1	319425-0	HOLDER	O	1			
008	931302-2	HEX. NUT M6		1			
009	266130-9	TAPPING SCREW BIND PT 3X16		1	*		
010	620507-6	LED CIRCUIT		1			
011	347037-9	SET PLATE		1			
012	326738-2	DRIVER GUIDE		1			
013	251487-1	H.SOCKET C.S.HEAD SCREW M4X16		2			
014	347034-5	DRIVER		1			
015	256318-9	FLAT FILLISTER HD. PIN 4		1			
016	347038-7	UPPER PLATE		1			
017	347036-1	GUIDE PLATE		1			
018	232300-2	LEAF SPRING		1			
019	347042-6	CONTACT ARM		1	*		
019-1	347316-5	CONTACT ARM	<	1			
020	232296-7	COMPRESSION SPRING 3		1	*		
020-1	232337-9	COMPRESSION SPRING 3	<	1			
021	632G60-2	SWITCH UNIT		1			
022	347039-5	SLIDE PLATE		1	*		
022-1	347121-0	SLIDE PLATE	<	1			
023	632G61-0	SWITCH UNIT		1			
024	347040-0	GEAR PLATE		1			
025	143770-9	SPUR GEAR 43 COMPLETE		1			
026	266901-4	TAPPING SCREW 4X14		1			
027	232299-1	COMPRESSION SPRING 5		1			
028	456799-9	TRIGGER LOCK		1			
029	650681-6	SWITCH D3V-16-3A5		1	*		
029-1	632J09-0	SWITCH UNIT	S	1	*		
029-2	632M82-8	SWITCH UNIT	<	1			
030	456797-3	TRIGGER		1	*		
030-1	457303-7	TRIGGER	S	1			
031	620506-8	CONTROLLER		1	*		
031-1	620824-4	CONTROLLER	<	1			
032	643860-3	TERMINAL		1			
033	266130-9	TAPPING SCREW BIND PT 3X16		11			
034	852D83-8	DST112 NAME PLATE		1			
035	183D97-9	HOUSING SET		1	*		
C10	263005-3	RUBBER PIN 6		2	*		
D10		INC. 56					
035-1	183D97-9	HOUSING SET	<	1			
C10	263005-3	RUBBER PIN 6		2			

D10		INC. 56				
036	143778-3	INDICATOR PANEL COMPLETE		1		
037	629209-1	DC MOTOR		1		
038	267053-4	FLAT WASHER 12		1		
039	227166-3	INTERNAL GEAR 69		1		
040	221961-3	SPUR GEAR 27		3		
041	143777-5	SPUR GEAR 7 COMPLETE		1		
042	345773-1	ANTI BACK PLATE		1		
043	214059-3	PLANE BEARING 10		1		
044	632G60-2	SWITCH UNIT		1		
045	232298-3	TORTION SPRING 3		1		
046	347041-8	SLIP PLATE		1		
047	456796-5	SWITCH PLATE		1		
048	256221-4	PIN 3		1		
049	143780-6	SPIRAL SPRING COMPLETE		1		
050	951051-5	SPRING PIN 3-8		1		
051	161467-8	SUB MAGAZINE		1		
052	961017-7	STOP RING E-3		1		
053	456798-1	LEVER		1		
054	232301-0	TORSION SPRING 7		1		
055	268029-4	PIN 4		1		
056	183D97-9	HOUSING SET		1	*	
C10	263005-3	RUBBER PIN 6		2	*	
D10		INC. 35				
056-1	183D97-9	HOUSING SET	<	1		
C10	263005-3	RUBBER PIN 6		2		
D10		INC. 35				
A01	195246-2	SAFETY GOGGLE		1	*	
A02	251314-2	+ SCREW M4X12		1		
A03	346317-0	HOOK		1		
F01	197731-1	ADJUSTER SET		1		
C10	231323-7	COMPRESSION SPRING 9		1		
C20	265127-5	+ PAN HEAD SCREW M4X4		1		
C30	450702-2	ADJUSTER		1		
C40	450774-7	LOCK SLEEVE		1		
C50	450775-5	ADJUSTER BASE		1		
A04	821550-0	CONNECTOR PLASTIC CASE (TYP E2)		1		
C10	453974-8	LATCH		4		
A05	838582-0	INNER TRAY		1		
A06	809E22-5	DST112ZJ INDICATION LABEL		1		
A07	809E23-3	DST112ZJ PLASTIC CASE LABEL		2		
A06	809E24-1	DST112RFJ INDICATION LABEL		1		
A07	809E25-9	DST112RFJ PLASTIC CASE LABEL		2		
A08	***DC18RC	DC18RC FAST CHARGER		1		
D10		COMPO-PARTS				
A09	450128-8	BATTERY COVER		1		
A10	197600-6	BATTERY BL1830B SET		2	*	
A10-1	197600-6	BATTERY BL1830B SET	O	2		

Please state Parts No. when your order.

Print Date 10/25/2023