

TELESTEPS



No.1 in telescopic work tools



COMBI LINE

Freestanding or leaning, you decide.





TWO IS BETTER THAN ONE

Free standing and leaning telescopic ladder, all in one.

Our Combi Line is just like it sounds a combination ladder, a free-standing ladder that you can easily transform into a leaning ladder. This makes Combi Line ideal if you need a multi-purpose ladder for all different types of situations.

ERGONOMIC AND SAFE

To be and feel safe on a ladder is our highest priority, that's why we have lot of build in safety features. The red tabs are a clear indicator when the rungs are locked and safe to climb. Our new 80 mm wide and level rungs with grooved channels gives you great grip and is very comfortable to stand on also for longer periods of time.

The patented triangular tubes make the ladder stronger and more flex resistant thanks to our engineering. The shape also makes a perfect grip for your hand when climbing up and down the ladder. Like all our ladders Combi Line is equipped with both rubber tops and feet all to avoid slipping.

FLEXIBLE AND EASY TO USE

The very nature of telescoping ladders makes them easy to transport in almost any vehicle but more importantly easy to carry back and forth the working site even when you need to use an elevator or if there is lack of space.

The newly developed Autolift makes it even easier to carry Combi Line, especially when you often move the ladder during your workday.

In just a couple of seconds you can transform Combi Line from a free-standing ladder into a leaning ladder. Just push the buttons on the back side of the ladder and pull the bottom rungs upwards until you can attach our Easy Lock to the above rung. Done.

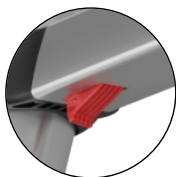


IT'S ALL IN THE DETAILS

A ladder is a ladder they say. But we know that it is the small details that makes the big difference.

SAFE LOCKING

Red indicator tabs to ensure your safety every time.



ERGONOMIC

Wide and level rungs to minimize slipping and reduce fatigue.



SAFER RUNGS

Rungs with grooved channels to disperse dirt.



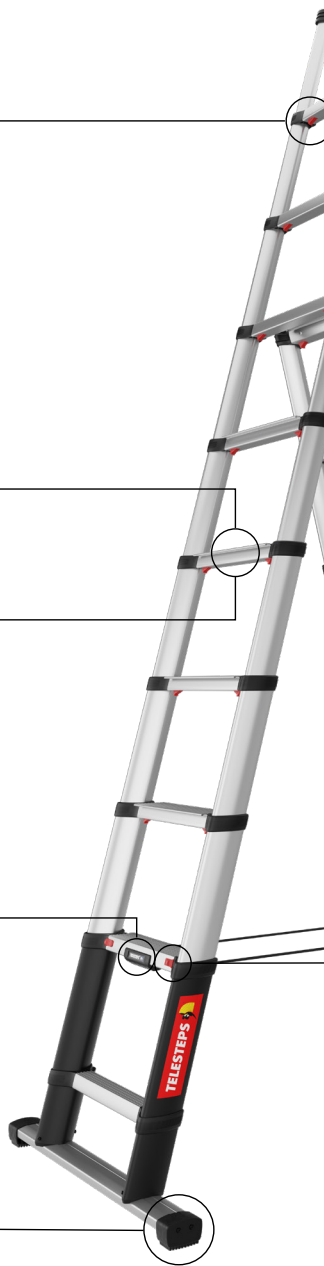
INTEGRATED HANDLE

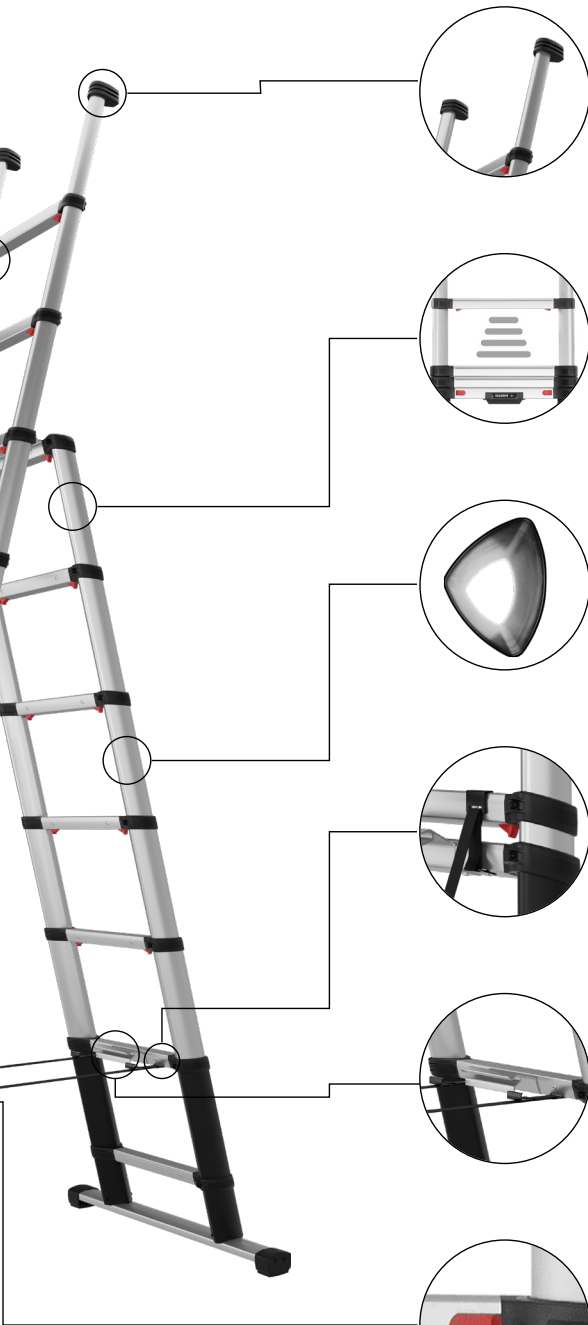
The Combi Line has an integrated handle making it very easy to carry.



RUBBER FEET

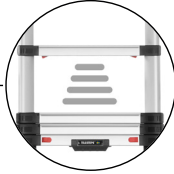
Maximizing surface contact to avoid slipping.





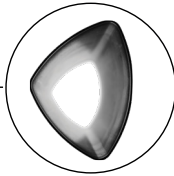
RUBBER TOP SECTION

Works individually on uneven surfaces.
Avoids sliding and damaging walls.



SLOW CLOSE SYSTEM

Controlled closing to avoid pinching fingers.



TRIANGULAR DESIGN

Twist and flex resistant by nature.



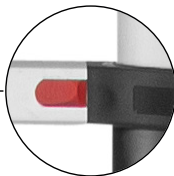
EASY LOCK

2 ladders in 1 – Easy to transform from standing ladder to a leaning ladder.



AUTOLIFT

Connecting front and back side of the ladder, when lifting.



SMART & SAFE UNLOCKING

2 push buttons on each side for closing the ladder.

Autostep® - Automatic unlocking system when closing the ladder.

TWO SIZES

Our Combi Line is available in two different heights.



COMBI LINE 2,3

Art. No.	72423-681
Tread width	80 mm
Working height	3,1 m
Length, closed	0,73 m
Width	0,68 m
Weight	14,1 kg
Max load	150 kg
Max users	1

COMBI LINE 3,0

Art. No.	72430-681
Tread width	80 mm
Working height	3,8 m
Length, closed	0,79 m
Width	0,75 m
Weight	19,5 kg
Max load	150 kg
Max users	1

ACCESSORIES

Our accessories makes your everyday work a bit easier.

To further improve our products and personalize them to your specific needs we have a number of accessories to choose from.



TOOL TRAY

This small but handy accessory allows you to place tools, screws, electrical instruments and other equipment's, on a practical tray while you are working.

Art. No. 9202-101



MAINTENANCE KIT

To even extend the functionality and secure the safety of your ladder we have created a maintenance kit including a cleaning sponge and a microfiber towel.

Art. No. 9205-101



WALL MOUNT

The perfect wall mount to store and keep your Telesteps ladder safe. With Telesteps stylish wall mount, you can be sure to find your ladder at the same place each time – without taking up space.

Art. No. 9195-601



SPARE PARTS

Our high quality makes the products last a long time. Very long time. This might causes parts to wear out and sometimes have to be replaced. Read more at our website telesteps.com.



Many years ago we created an icon in the world of ladders and today we are recognized as the world leader in telescopic work tools. With our R&D and world class production based in Sweden, our brand and products are renowned for its quality and design by our users worldwide, ensuring we always put safety and quality first.



Telesteps AB, Box 362, 573 24 Tranås, Sweden
info@telesteps.com | www.telesteps.com