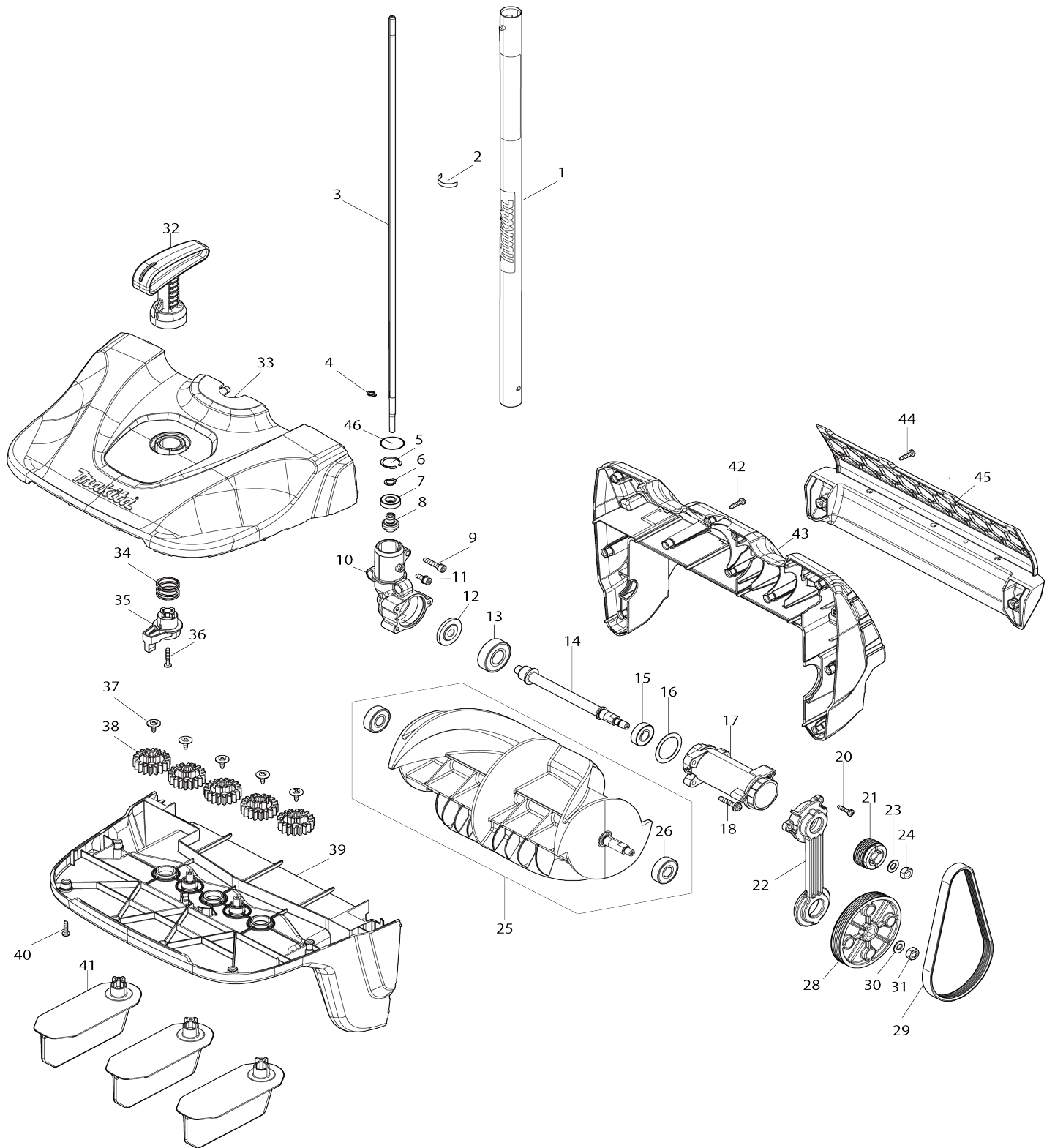


# Model No.SN400MP SNOW BLOWER ATTACHMENT



Model No.SN400MP SNOW BLOWER ATTACHMENT

Item No.	Parts No.	Description	Interchangability	Q'ty	New/Old	Note1	Note2
001	141V64-8	SHAFT PIPE COMPLETE A		1			
C10	819312-8	MAKITA LOGO LABEL		1			
C20	8078L1-9	CAUTION LABEL		1			
002	814A82-0	DATE CODE LABEL		1			
003	327D90-5	SHAFT A		1			
004	961003-8	RETAINING RING S-7		1			
005	962112-6	RETAINING RING R-22		1			
006	961006-2	RETAINING RING S-10		1			
007	210167-8	BALL BEARING 6900LLB		1			
008	227B51-2	SPIRAL BEVEL GEAR 15		1			
009	922241-7	HEX. SOCKET HEAD BOLT M5X25		1			
010	312F24-3	GEAR CASE		1			
011	922218-2	H.S.H.BOLT M5X14 WITH WR		1			
012	227B52-0	SPIRAL BEVEL GEAR 29		1			
013	210239-9	BALL BEARING 6203DDW		1			
014	327D54-9	SPINDLE		1			
015	210205-6	BALL BEARING 6001ZZ		1			
016	253618-8	FLAT WASHER 30		1			
017	4130C0-6	PIPE		1			
018	265E12-2	P.H.SCREW MX28 WITH WG		3			
020	266326-2	TAPPING SCREW 4X18		3			
021	222214-3	V-PULLEY 5-34.6		1			
022	137214-9	INNER HOUSING ASS'Y		1			
C10	263002-9	RUBBER PIN 4		1			
C20	263005-3	RUBBER PIN 6		1			
023	941202-8	FLAT WASHER 8		1			
024	931402-8	HEX. NUT M8		1			
025	137213-1	SHOVEL ASS'Y		1			
D10		INC. 26					
026	210118-1	BALL BEARING 6201DDW		2			
028	222215-1	V-PULLEY 5-95.5		1			
029	225113-8	V BELT 5-457		1			
030	941202-8	FLAT WASHER 8		1			
031	252070-7	HEX. LOCK NUT M8-13		1			
032	4130B8-3	HANDLE		1			
033	1410C2-9	TOP HOUSING COMPLETE		1			
C10	8078L8-5	INDICATION LABEL		1			
034	232705-6	COMPRESSION SPRING 22		1			
035	4130B9-1	ADJUSTR LINK A		1			
036	266374-1	TAPPING SCREW 4X25		1			
037	265B00-1	TAPPING SCREW FLANGE 4X12		5			
038	4130C1-4	ADJUSTR LINK B		5			
039	4130B2-5	UPPER HOUSING		1			
040	266326-2	TAPPING SCREW 4X18		6			
041	4130B6-7	FIN		3			
042	266326-2	TAPPING SCREW 4X18		11			
043	1410C3-7	LOWER HOUSING COMPLETE		1			

C10	8078L9-3	INDICATION LABEL		1		
044	266326-2	TAPPING SCREW 4X18		4		
045	4130B4-1	UNDER COVER		1		
046	213953-6	O RING 24		1		
A01	422A15-7	CAP 24		1		
A02	424434-7	CAP 24		2		
A03	783202-0	HEX. WRENCH 4		1		

Please state Parts No. when your order.

Print Date 27/08/2024