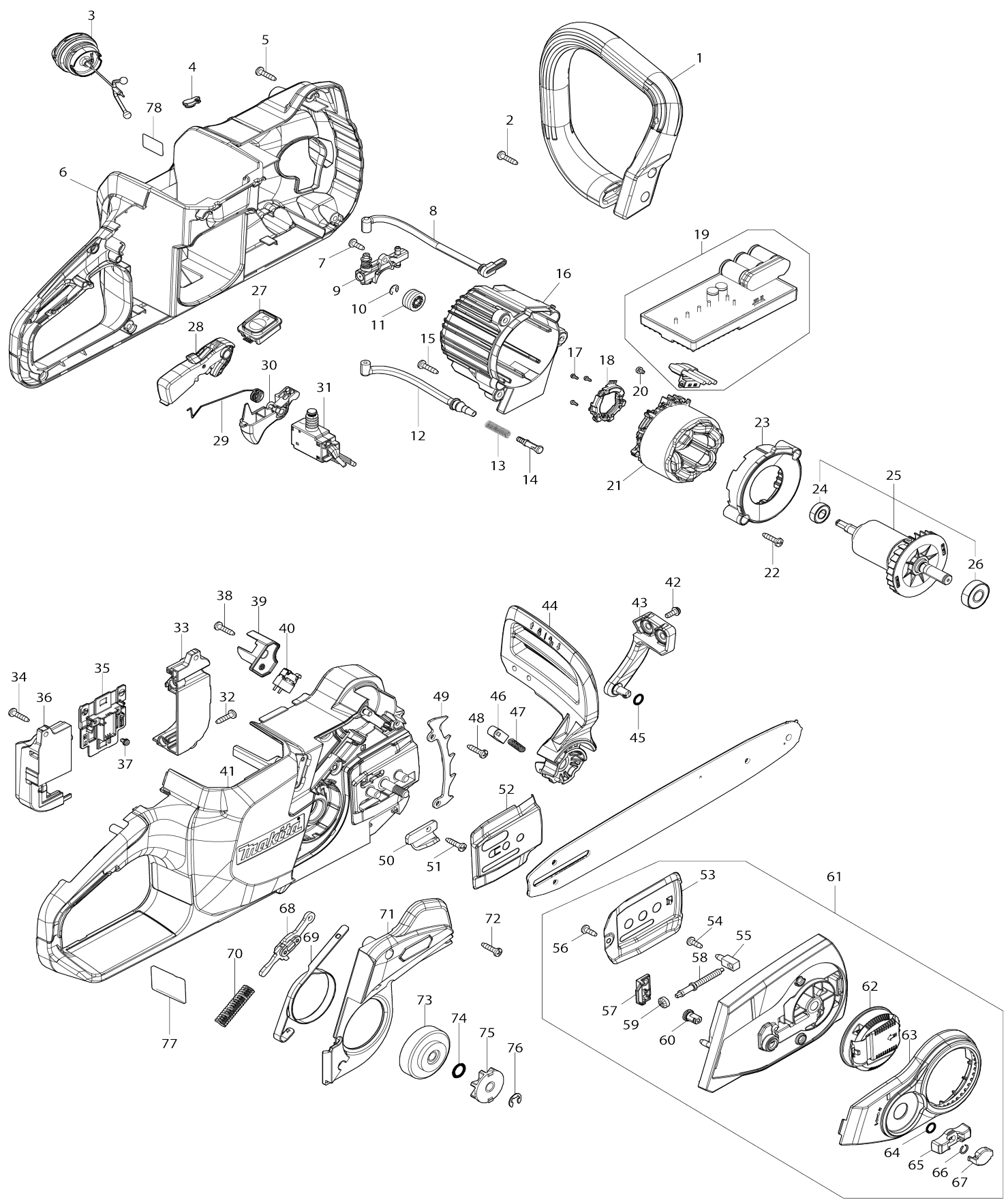


Model No. UC021G 300MM CORDLESS CHAIN SAW



Model No. UC021G 300MM CORDLESS CHAIN SAW

| Item No. | Parts No. | Description | Interchangeability | Q'ty | New/Old | Note1 | Note2 |
|----------|-----------|-------------------------|--------------------|------|---------|-------|-------|
| 001 | 413W79-4 | FRONT HANDLE | | 1 | | | |
| 002 | 266326-2 | TAPPING SCREW 4X18 | | 4 | | | |
| 003 | 122A77-2 | TANK CAP ASSEMBLY | | 1 | | | |
| C10 | 213A30-0 | O-RING 29.5 | | 1 | | | |
| 004 | 422467-6 | CAP | | 1 | | | |
| 005 | 266326-2 | TAPPING SCREW 4X18 | | 9 | | | |
| 006 | 1830U4-5 | HOUSING SET | | 1 | | | |
| C10 | 8074U1-8 | CAUTION LABEL | | 1 | | | |
| D10 | | INC. 4,41 | | | | | |
| 007 | 266427-6 | TAPPING SCREW 4X12 | | 1 | | | |
| 008 | 422B10-3 | OIL TUBE 3-134 | | 1 | | | |
| 009 | 140L95-4 | OIL PUMP COMPLETE | | 1 | | | |
| 010 | 961011-9 | STOP RING E-4 | | 1 | | | |
| 011 | 226884-0 | WORM GEAR | | 1 | | | |
| 012 | 422B09-8 | OIL TUBE 3-114 | | 1 | | | |
| 013 | 231975-4 | SPRING | | 1 | | | |
| 014 | 452666-6 | NIPPLE | | 1 | | | |
| 015 | 266326-2 | TAPPING SCREW 4X18 | | 3 | | | |
| 016 | 413W73-6 | MOTOR HOUSING | | 1 | | | |
| 017 | 652119-7 | PAN HEAD SCREW M2X6 | | 3 | | | |
| 018 | 632V15-7 | SENSOR UNIT | | 1 | | | |
| 019 | 620N62-2 | CONTROLLER | | 1 | | | |
| 020 | 652069-6 | FLAT HEAD SCREW M3X6 | | 3 | | | |
| 021 | 629C60-7 | STATOR | | 1 | | | |
| 022 | 266326-2 | TAPPING SCREW 4X18 | | 2 | | | |
| 023 | 413W74-4 | BAFFLE PLATE | | 1 | | | |
| 024 | 210016-9 | BALL BEARING 698ZZ | | 1 | | | |
| 025 | 519840-0 | ROTOR ASSEMBLY | | 1 | | | |
| D10 | | INC. 24,26 | | | | | |
| 026 | 210059-1 | BALL BEARING 6000DDW | | 1 | | | |
| 027 | 620N64-8 | SWITCH CIRCUIT COMPLETE | | 1 | | | |
| 028 | 141V01-2 | LOCK OFF LEVER COMPLETE | | 1 | | | |
| 029 | 232850-7 | TORSION SPRING 10 | | 1 | | | |
| 030 | 413C93-0 | SWITCH LEVER | | 1 | | | |
| 031 | 650048-8 | SWITCH C3JR-4B-PAND6-1 | | 1 | | | |
| 032 | 266326-2 | TAPPING SCREW 4X18 | | 2 | | | |
| 033 | 1830H3-6 | TERMINAL BOX SET | | 1 | | | |
| C10 | 263005-3 | RUBBER PIN 6 | | 2 | | | |
| D10 | | INC. 36 | | | | | |
| 034 | 266326-2 | TAPPING SCREW 4X18 | | 3 | | | |
| 035 | 632V23-8 | TERMINAL UNIT | | 1 | | | |
| 036 | 1830H3-6 | TERMINAL BOX SET | | 1 | | | |
| C10 | 263005-3 | RUBBER PIN 6 | | 2 | | | |
| D10 | | INC. 33 | | | | | |
| 037 | 652031-1 | PAN HEAD SCREW M3X6 | | 2 | | | |
| 038 | 266326-2 | TAPPING SCREW 4X18 | | 1 | | | |
| 039 | 413W72-8 | MICRO SWITCH GUARD | | 1 | | | |
| | | | | | | | |

| | | | | | |
|-----|-----------|-----------------------------|---|--|--|
| 040 | 650057-7 | SWITCH D2SW-P01L30-3M-C2(S) | 1 | | |
| 041 | 1830U4-5 | HOUSING SET | 1 | | |
| C10 | 8074U1-8 | CAUTION LABEL | 1 | | |
| D10 | | INC. 4,6 | | | |
| 042 | 911118-1 | PAN HEAD SCREW M4X12 | 2 | | |
| 043 | 413W82-5 | FRONT HAND GUARD RETAINER | 1 | | |
| 044 | 413W68-9 | FRONT HAND GUARD | 1 | | |
| 045 | 213594-8 | O RING 7 | 1 | | |
| 046 | 313398-9 | HAND GUARD GUIDE | 1 | | |
| 047 | 234210-9 | COMPRESSION SPRING 3 | 1 | | |
| 048 | 266326-2 | TAPPING SCREW 4X18 | 2 | | |
| 049 | 347925-0 | SPIKE BUMPER | 1 | | |
| 050 | 347924-2 | CHAIN CATCHER | 1 | | |
| 051 | 266326-2 | TAPPING SCREW 4X18 | 1 | | |
| 052 | 347C01-8 | GUIDE PLATE | 1 | | |
| 053 | 347C02-6 | GUIDE PLATE R | 1 | | |
| 054 | 266427-6 | TAPPING SCREW 4X12 | 2 | | |
| 055 | 327D00-2 | ADJUST PIN | 1 | | |
| 056 | 266427-6 | TAPPING SCREW 4X12 | 1 | | |
| 057 | 413W88-3 | COVER | 1 | | |
| 058 | 327C99-1 | ADJUST SCREW | 1 | | |
| 059 | 227496-2 | STRAIGHT BEVEL GEAR 14 | 1 | | |
| 060 | 227B20-3 | STRAIGHT BEVEL GEAR 14 | 1 | | |
| 061 | 137157-5 | SPROCKET COVER ASS'Y | 1 | | |
| D10 | | INC. 53-60,62-67 | | | |
| 062 | 162D07-9 | NUT COMPLETE | 1 | | |
| 063 | 413W85-9 | NUT COVER | 1 | | |
| 064 | 213011-8 | O RING 7 | 1 | | |
| 065 | 413W87-5 | DIAL 40 | 1 | | |
| 066 | 232788-6 | RING SPRING 7 | 1 | | |
| 067 | 413W89-1 | CAP | 1 | | |
| 068 | 141E60-4 | LINK PLATE COMPLETE | 1 | | |
| 069 | 347922-6 | BRAKE BAND COMPLETE | 1 | | |
| 070 | 232452-9 | COMPRESSION SPRING 7 | 1 | | |
| 071 | 137076-5 | BRAKE COVER ASSEMBLY | 1 | | |
| 072 | 266326-2 | TAPPING SCREW 4X18 | 3 | | |
| 073 | 162979-4 | BRAKE DRUM | 1 | | |
| 074 | 213060-5 | O RING 10 | 1 | | |
| 075 | 227905-1 | SPROCKET 7 | 1 | | |
| 076 | 961013-5 | STOP RING E-7 | 1 | | |
| 077 | 8144J1-4 | UC021G NAME PLATE | 1 | | |
| 078 | 8144J2-2 | UC021G SERIAL NO.LABEL | 1 | | |
| A01 | 191T86-6 | GUIDE BAR 12 SET | 1 | | |
| A02 | 413G23-5 | GUIDE BAR CASE 360 | 1 | | |
| A03 | 199897-3 | OIL VESSEL SET | 1 | | |
| A04 | 191T90-5 | SAW CHAIN 12 SET | 1 | | |
| A05 | 782023-7 | WRENCH 13-16 | 1 | | |
| A06 | 412393-7 | BATTERY COVER | 1 | | |
| A07 | ***DC40RA | DC40RA FAST CHARGER | 1 | | |
| D10 | | COMPO-PARTS | | | |
| A08 | 191L47-8 | BATTERY BL4050F SET | 1 | | |

Please state Parts No. when your order.

Print Date 03/22/2024