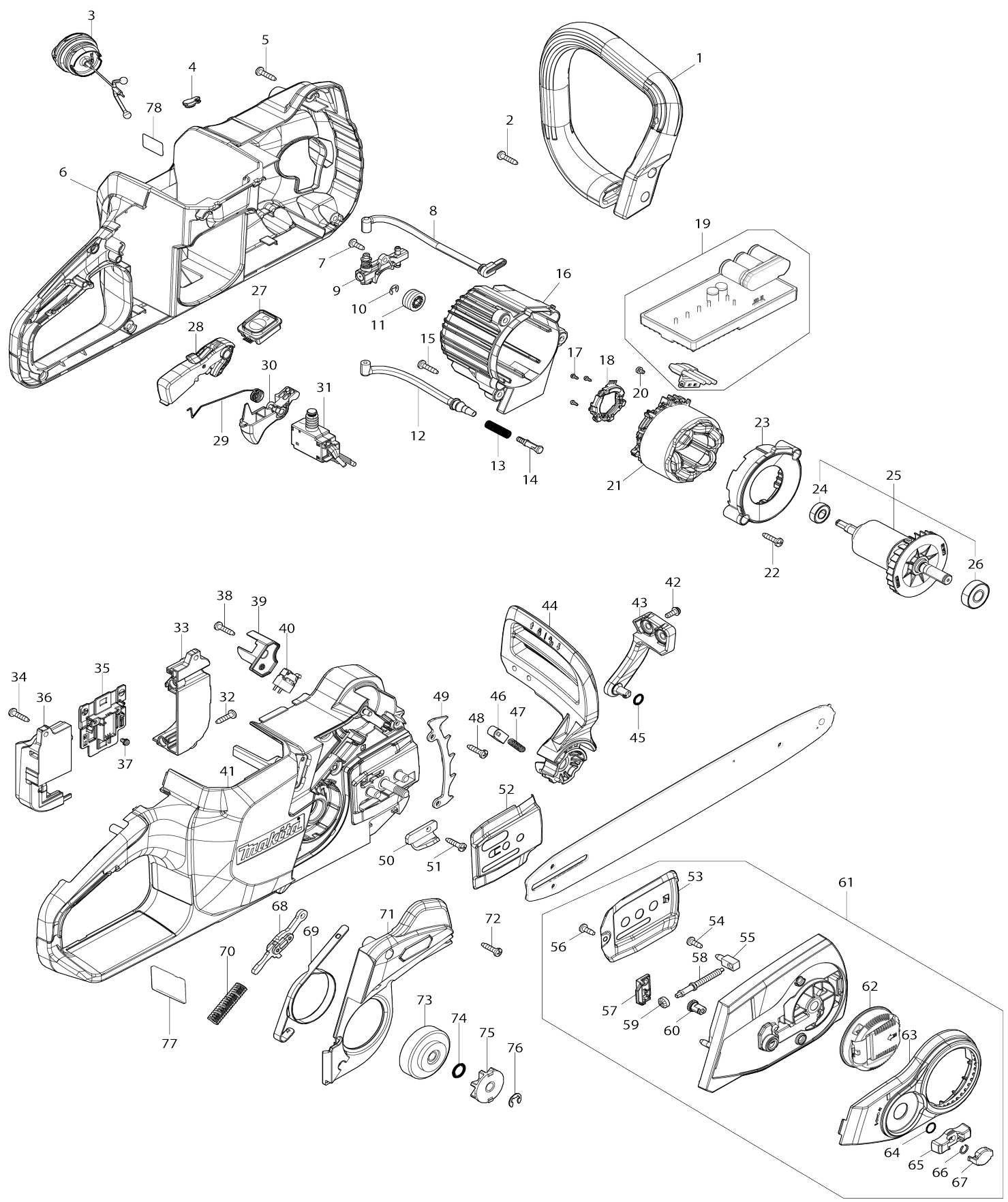


Model No. UC022G 350MM CORDLESS CHAIN SAW



Model No. UC022G 350MM CORDLESS CHAIN SAW

Item No.	Parts No.	Description	Interchangeability	Q'ty	New/Old	Note1	Note2
001	413W79-4	FRONT HANDLE		1			
002	266326-2	TAPPING SCREW 4X18		4			
003	122A77-2	TANK CAP ASSEMBLY		1			
C10	213A30-0	O-RING 29.5		1			
004	422467-6	CAP		1			
005	266326-2	TAPPING SCREW 4X18		9			
006	1830U4-5	HOUSING SET		1			
C10	8074U1-8	CAUTION LABEL		1			
D10		INC. 4,41					
007	266427-6	TAPPING SCREW 4X12		1			
008	422B10-3	OIL TUBE 3-134		1			
009	140L95-4	OIL PUMP COMPLETE		1			
010	961011-9	STOP RING E-4		1			
011	226884-0	WORM GEAR		1			
012	422B09-8	OIL TUBE 3-114		1			
013	231975-4	SPRING		1			
014	452666-6	NIPPLE		1			
015	266326-2	TAPPING SCREW 4X18		3			
016	413W73-6	MOTOR HOUSING		1			
017	652119-7	PAN HEAD SCREW M2X6		3			
018	632V15-7	SENSOR UNIT		1			
019	620N62-2	CONTROLLER		1			
020	652069-6	FLAT HEAD SCREW M3X6		3			
021	629C60-7	STATOR		1			
022	266326-2	TAPPING SCREW 4X18		2			
023	413W74-4	BAFFLE PLATE		1			
024	210016-9	BALL BEARING 698ZZ		1			
025	519840-0	ROTOR ASSEMBLY		1			
D10		INC. 24,26					
026	210059-1	BALL BEARING 6000DDW		1			
027	620N64-8	SWITCH CIRCUIT COMPLETE		1			
028	141V01-2	LOCK OFF LEVER COMPLETE		1			
029	232850-7	TORSION SPRING 10		1			
030	413C93-0	SWITCH LEVER		1			
031	650048-8	SWITCH C3JR-4B-PAND6-1		1			
032	266326-2	TAPPING SCREW 4X18		2			
033	1830H3-6	TERMINAL BOX SET		1			
C10	263005-3	RUBBER PIN 6		2			
D10		INC. 36					
034	266326-2	TAPPING SCREW 4X18		3			
035	632V23-8	TERMINAL UNIT		1			
036	1830H3-6	TERMINAL BOX SET		1			
C10	263005-3	RUBBER PIN 6		2			
D10		INC. 33					
037	652031-1	PAN HEAD SCREW M3X6		2			
038	266326-2	TAPPING SCREW 4X18		1			
039	413W72-8	MICRO SWITCH GUARD		1			

040	650057-7	SWITCH D2SW-P01L30-3M-C2(S)	1		
041	1830U4-5	HOUSING SET	1		
C10	8074U1-8	CAUTION LABEL	1		
D10		INC. 4,6			
042	911118-1	PAN HEAD SCREW M4X12	2		
043	413W82-5	FRONT HAND GUARD RETAINER	1		
044	413W68-9	FRONT HAND GUARD	1		
045	213594-8	O RING 7	1		
046	313398-9	HAND GUARD GUIDE	1		
047	234210-9	COMPRESSION SPRING 3	1		
048	266326-2	TAPPING SCREW 4X18	2		
049	347925-0	SPIKE BUMPER	1		
050	347924-2	CHAIN CATCHER	1		
051	266326-2	TAPPING SCREW 4X18	1		
052	347C01-8	GUIDE PLATE	1		
053	347C02-6	GUIDE PLATE R	1		
054	266427-6	TAPPING SCREW 4X12	2		
055	327D00-2	ADJUST PIN	1		
056	266427-6	TAPPING SCREW 4X12	1		
057	413W88-3	COVER	1		
058	327C99-1	ADJUST SCREW	1		
059	227496-2	STRAIGHT BEVEL GEAR 14	1		
060	227B20-3	STRAIGHT BEVEL GEAR 14	1		
061	137157-5	SPROCKET COVER ASS'Y	1		
D10		INC. 53-60,62-67			
062	162D07-9	NUT COMPLETE	1		
063	413W85-9	NUT COVER	1		
064	213011-8	O RING 7	1		
065	413W87-5	DIAL 40	1		
066	232788-6	RING SPRING 7	1		
067	413W89-1	CAP	1		
068	141E60-4	LINK PLATE COMPLETE	1		
069	347922-6	BRAKE BAND COMPLETE	1		
070	232452-9	COMPRESSION SPRING 7	1		
071	137076-5	BRAKE COVER ASSEMBLY	1		
072	266326-2	TAPPING SCREW 4X18	3		
073	162979-4	BRAKE DRUM	1		
074	213060-5	O RING 10	1		
075	227905-1	SPROCKET 7	1		
076	961013-5	STOP RING E-7	1		
077	8144K3-7	UC022G NAME PLATE	1		
078	8144K4-5	UC022G SERIAL NO.LABEL	1		
A01	191T87-4	GUIDE BAR 14 SET	1		
A02	413G23-5	GUIDE BAR CASE 360	1		
A03	199897-3	OIL VESSEL SET	1		
A04	191T91-3	SAW CHAIN 14 SET	1		
A05	782023-7	WRENCH 13-16	1		

Please state Parts No. when your order.

Print Date 03/22/2024