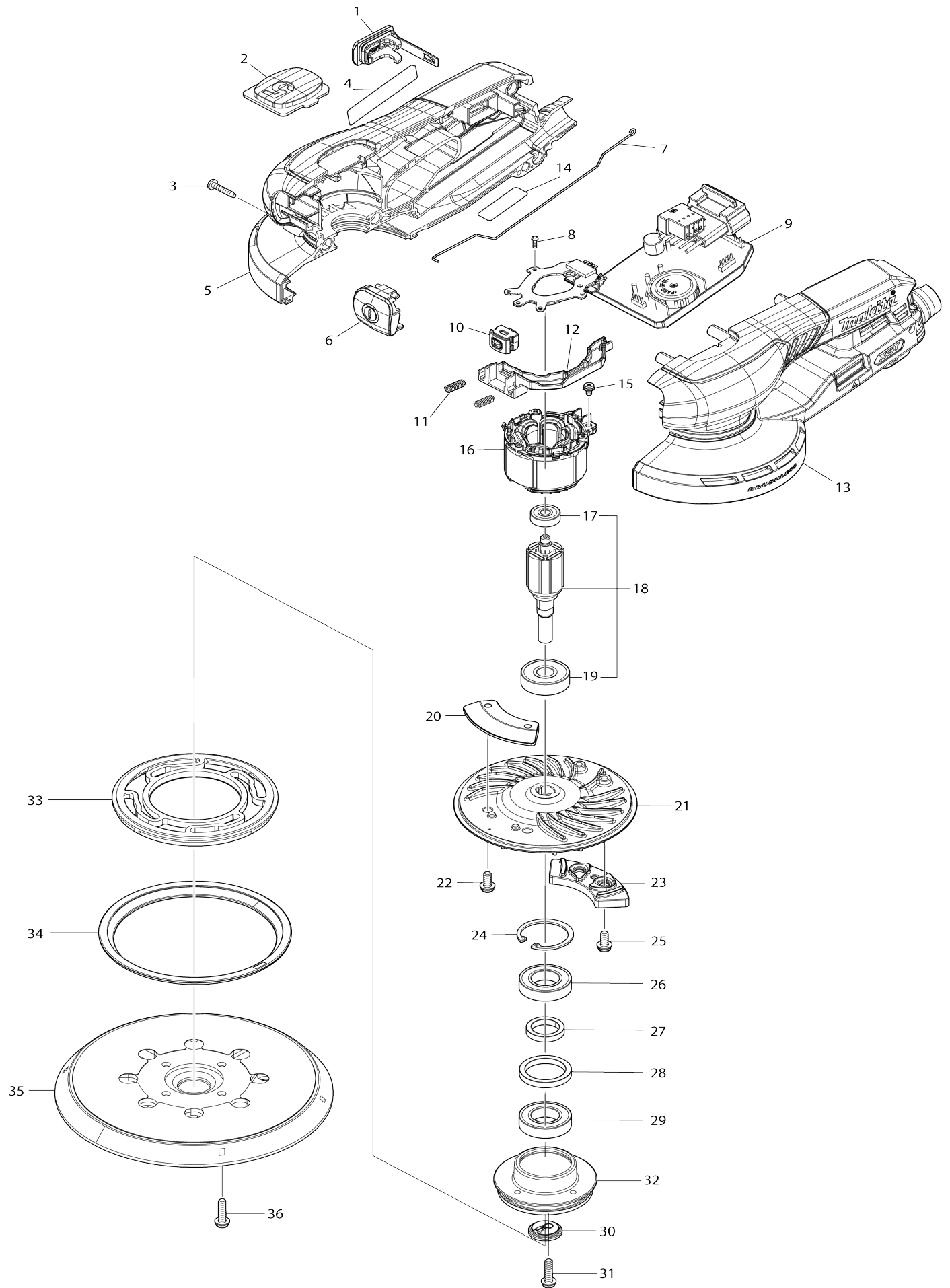


Model No. BO002CG BP RANDOM ORBIT SANDER



Model No.BO002CG BP RANDOM ORBIT SANDER

Item No.	Parts No.	Description	Interchangability	Q'ty	New/Old	Note1	Note2
001	140F99-0	CAP COMPLETE		1			
C10	213A05-9	O-RING16		1			
002	413Y41-1	INDICATION PLATE		1			
003	266429-2	TAPPING SCREW 3X16		7			
004	8145S3-9	BO002CG NAME PLATE		1			
005	1830M5-7	HOUSING SET		1			
C10	252126-6	HEX. LOCK NUT M4-7		2			
005		INC. 13					
006	413Y40-3	SWITCH BUTTON		1			
007	327D45-0	EARTH WIRE		1			
008	266490-9	TAPPING SCREW PT 2X6		3			
009	620P00-6	CONTROLLER		1			
C10	638A87-4	CONNECTOR UNIT		1			
010	632L84-8	SWITCH UNIT		1			
011	233436-0	COMPRESSION SPRING 3		2			
012	413Y39-8	SWITCH HOLDER		1			
013	1830M5-7	HOUSING SET		1			
C10	252126-6	HEX. LOCK NUT M4-7		2			
013		INC. 5					
014	8145S5-5	BO002CG SERIAL NO. LABEL		1			
015	652069-6	FLAT HEAD SCREW M3X6		3			
016	629C61-5	STATOR		1			
017	210035-5	BALL BEARING 625DDW		1			
018	519843-4	ROTOR ASS'Y		1			
018		INC. 17,19					
019	211092-6	BALL BEARING 629DDW		1			
020	313521-6	UPPER BALANCE WEIGHT		1			
021	240250-7	FAN 98		1			
022	911111-5	PAN HEAD SCREW M4X10 WITH W		2			
023	313522-4	LOWER BALANCE WEIGHT		1			
024	962106-1	RETAINING RING R-28		1			
025	911111-5	PAN HEAD SCREW M4X10 WITH W		2			
026	211244-9	BALL BEARING 6902LLU		1			
027	257868-7	RING 15		1			
028	257A34-2	RING 22		1			
029	211244-9	BALL BEARING 6902LLU		1			
030	313518-5	RETAINER		1			
031	911128-8	P.H.SCREW M4X16 WITH WR		1			
032	312F10-4	BEARING BOX		1			
033	424131-5	BRAKE RING		1			
034	422B47-0	RUBBER GUARD		1			
035	1914J3-0	PAD150 SET		1			
036	911128-8	P.H.SCREW M4X16 WITH WR		4			
A01	122G32-0	DUST BAG ASSY		1			
A02	154553-2	ARM BAND COMPLETE		1	*		
A02-1	194679-8	ARM BAND COMPLETE SET	O	1			

A03	413Y47-9	FRONT CUFF 22		1		
A04	D-78726	NET SANDING DISC 150MM A120		1		
A05	D-78760	PAD SAVER DISC 150MM		1		
A06	1914H3-6	BATTEY ADAPTER SET		1		
A06		COMPO-PARTS				
A08	327D66-2	TOOL HANGER		1		
A09	251291-8	+ SCREW M4X8		1		
F01	1914H3-6	BATTEY ADAPTER SET		1		
F02	1914H5-2	BATTEY ADAPTER SET		1		
F03	1914H7-8	PROTECTION COVER SET		1		
F04	1914H8-6	HARNESS SET		1		
F05	1914J3-0	PAD150 SET		1		

Please state Parts No. when your order.

Print Date 11/15/2024