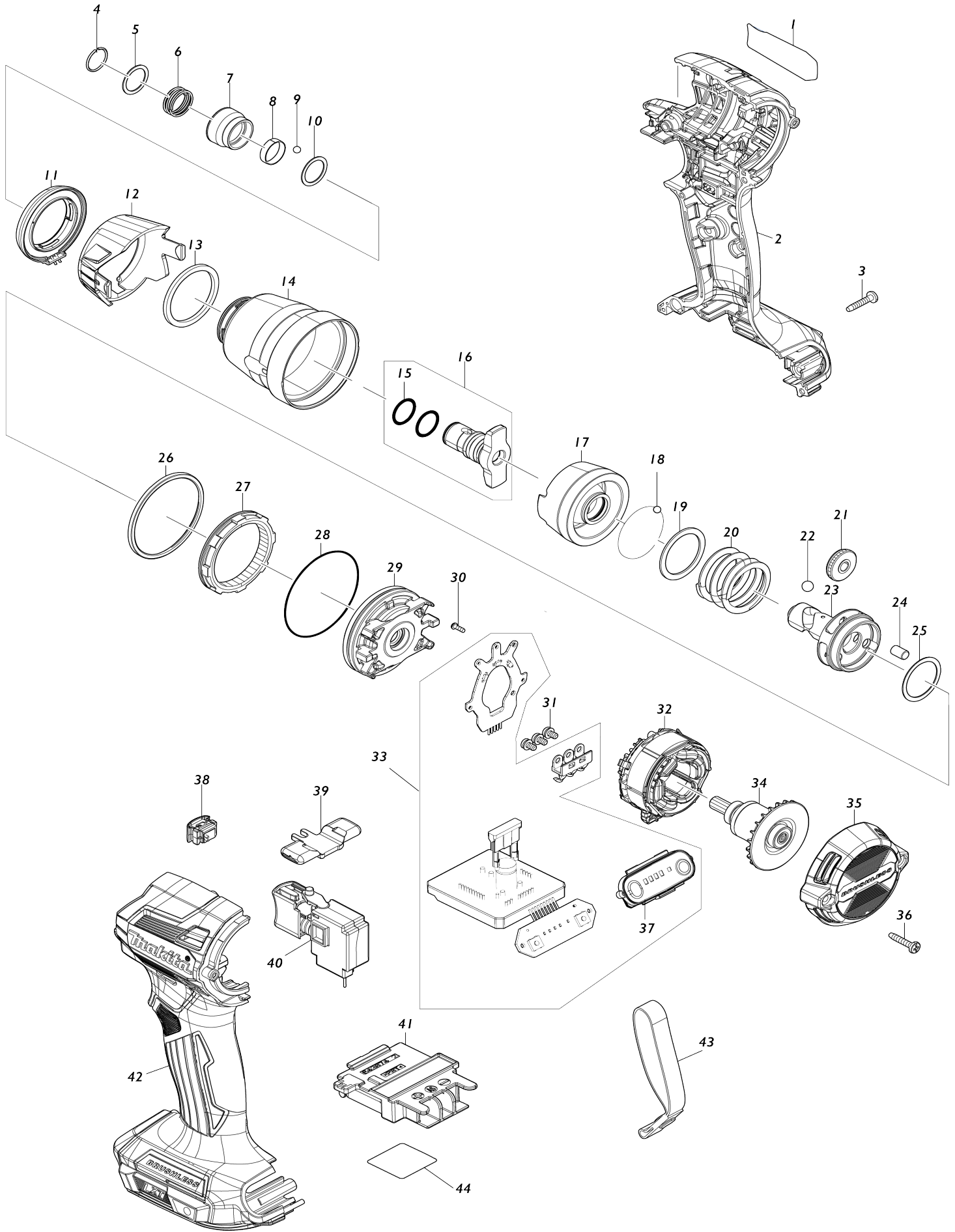


Model No.DTD173 CORDLESS IMPACT DRIVER



Model No.DTD173 CORDLESS IMPACT DRIVER

Item No.	Parts No.	Description	Interchangability	Q'ty	New/Old	Note1	Note2
001	8587H1-8	DTD173 NAME PLATE		1			
002	183X60-2	HOUSING SET		1			
C10	263005-3	RUBBER PIN 6		2			
C20	252126-6	HEX. LOCK NUT M4-7		2			
D10		INC. 42					
003	266429-2	TAPPING SCREW 3X16		7			
004	231952-6	RING SPRING 12		1			
005	253575-0	FLAT WASHER 13		1			
006	232592-3	COMPRESSION SPRING 14		1			
007	327B23-8	BIT SLEEVE		1			
008	232800-2	LEAF SPRING		1			
009	216040-0	STEEL BALL 3.5		2			
010	253575-0	FLAT WASHER 13		1			
011	620L50-7	LED CIRCUIT		1			
012	413P70-0	HAMMER CASE COVER		1			
013	422A14-9	SPONGE SHEET		1			
014	141P11-3	HAMMER CASE COMPLETE		1			
015	213166-9	O RING 12.5		2			
016	136888-3	ANVIL N ASSEMBLY		1			
D10		INC. 15					
017	327B72-5	HAMMER		1			
018	216040-0	STEEL BALL 3.5		24			
019	267175-0	FLAT WASHER 24		1			
020	232459-5	COMPRESSION SPRING 24B		1			
021	227350-0	SPUR GEAR 22		3			
022	216011-7	STEEL BALL 5.6		2			
023	327B71-7	SPINDLE		1			
024	268311-1	PIN 5		3			
025	267283-7	FLAT WASHER 21		1			
026	422688-0	SEAL		1			
027	227882-7	INTERNAL GEAR 51		1			
028	213623-7	O RING 46		1			
029	141P12-1	BEARING BOX COMPLETE		1			
030	266490-9	TAPPING SCREW PT 2X6		3			
031	652069-6	FLAT HEAD SCREW M3X6		3			
032	629217-2	STATOR		1			
033	539261-0	CONTROLLER ASSEMBLY		1			
D10		INC. 37					
034	619678-4	ROTOR		1			
035	413P71-8	REAR COVER		1			
036	266429-2	TAPPING SCREW 3X16		2			
037	539263-6	SWITCH PLATE ASSEMBLY		1			
038	632U37-1	SWITCH UNIT		1			
039	413P74-2	F/R CHANGE LEVER		1			
040	651442-7	SWITCH C3JR-1A-1		1			
041	643874-2	TERMINAL		1			
042	183X60-2	HOUSING SET		1			

C10	263005-3	RUBBER PIN 6		2		
C20	252126-6	HEX. LOCK NUT M4-7		2		
D10		INC. 2				
044	8587H5-0	DTD173 SERIAL NO. LABEL		1		
A01	266622-8	+ TRUSS HEAD SCREW M4X12		1		
A02	346317-0	HOOK		1		
A04	450128-8	BATTERY COVER		1		
A05	***DC18RC	DC18RC FAST CHARGER		1		
D10		COMPO-PARTS				
A06	197280-8	BATTERY BL1850B SET		2		
A09	821550-0	CONNECTOR PLASTIC CASE (TYP E2)		1		
C10	453974-8	LATCH		4		
A10	837670-0	INNER TRAY		1		
A06	197600-6	BATTERY BL1830B SET		2		

Please state Parts No. when your order.

Print Date 08/05/2024