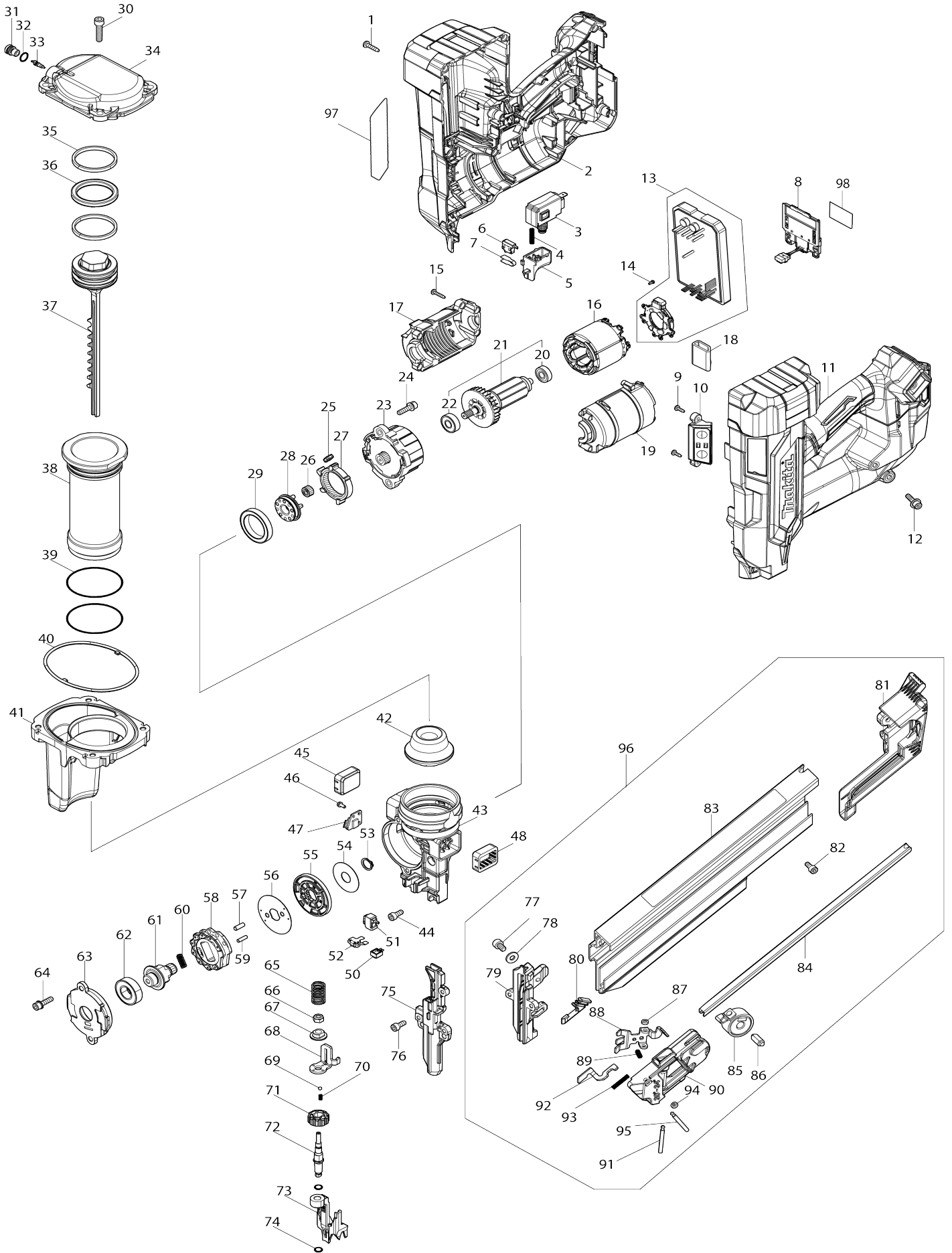


# Model No. BN001G Cordless Framing Nailer



# Model No.BN001G Cordless Framing Nailer

Item No.	Parts No.	Description	Interchangeability	Q'ty	New/Old	Note1	Note2
001	265995-6	Binding head tapping screw 4X18		12			
002	1831P4-6	Housing set		1	*		
C10	263005-3	Rubber pin 6		2	*		
C20	263032-0	Rubber pin 4		2	*		
002		INC. 11			*		
002-1	1831P4-6	Housing set	O	1			
C10	263005-3	Rubber pin 6		2			
C20	263032-0	Rubber pin 4		2			
002-1		INC. 11					
003	650060-8	Switch C3JR-5BM-PAND-2		1			
004	232848-4	Compression spring 4		1			
005	413X17-2	Trigger		1			
006	632V61-0	Switch unit		1			
007	232964-2	Leaf spring		1			
008	632P65-6	Terminal unit		1			
009	266007-8	Binding head tapping screw 3X10		2			
010	620S71-1	SWITCH CIRCUIT COMPLETE		1			
011	1831P4-6	Housing set		1	*		
C10	263005-3	Rubber pin 6		2	*		
C20	263032-0	Rubber pin 4		2	*		
011		INC. 2			*		
011-1	1831P4-6	Housing set	O	1			
C10	263005-3	Rubber pin 6		2			
C20	263032-0	Rubber pin 4		2			
011-1		INC. 2					
012	265E40-7	HEX.SOCKET HEAD SHOULDER BOLT		1			
013	620R94-3	CONTROLLER		1			
014	652119-7	Pan head screw M2X6		6			
015	266130-9	Binding head tapping screw 3X16		5			
016	629D03-5	STATOR		1			
017	1831P9-6	Motor housing set		1			
017		INC. 19					
018	685722-9	Sponge		1			
019	1831P9-6	Motor housing set		1			
019		INC. 17					
020	210169-4	Ball bearing 607LLB		1			
021	519892-1	Rotor assembly		1	*		
021		INC. 20,22			*		
021-1	519946-4	ROTOR ASS'Y	O	1			
021-1		INC. 20,22					
022	210223-4	Ball bearing 608ZZ		1			
023	122H96-0	GEAR ASSEMBLY		1			
024	265853-6	Hex. socket head bolt M5X18		2			
025	422B18-7	Gear cushion		4			
026	227B54-6	Spur gear 13		5			

027	227B41-5	Internal gear 44		1		
028	141U61-8	Carrier complete		1		
029	211423-9	Ball bearing 6806DDW		1		
030	922342-1	Hex. socket head bolt M6X25		4		
031	327D23-0	Valve cap		1		
032	213007-9	O-ring 8		1		
033	243138-0	Valve core		1		
034	312E84-9	Top cap		1		
035	413X16-4	Slide ring		2		
036	213A70-8	X-ring 40		1	*	
036-1	213B05-5	X-RING 40	<	1		
037	141U59-5	Driver complete		1		
038	327D22-2	Cylinder		1		
039	213663-5	O-ring 55		2		
040	422B15-3	Seal ring		1		
041	141U65-0	Chamber complete		1		
042	422B14-5	Front cushion		1		
043	312E81-5	Nose		1		
044	251490-2	Hex. socket head bolt M5X14 WR		3		
045	422B16-1	Side cushion		1		
046	265173-8	Pan head screw M3X8		2		
047	620S90-7	SENSOR CIRCUIT		1	*	
047-1	620S90-7	SENSOR CIRCUIT	O	1		
048	422B16-1	Side cushion		1		
050	620R02-4	LED circuit		1		
051	137163-0	Switch assembly		1		
052	232843-4	Leaf spring		1		
053	961053-3	Retaining ring (EXT) S-13		1		
054	253595-4	Flat washer 14		1		
055	141U60-0	Holder complete		1		
056	347C07-6	Pin cover		1		
057	256A54-3	Pin 5		8		
058	327F05-4	LIFTER		1		
059	256A01-4	PIN 3.5		1		
060	232846-8	Compression spring 4		1		
061	327D05-2	Lifter shaft		1		
062	211236-8	Ball bearing 6002DDW		1		
063	312E82-3	Lifter cap		1		
064	265D66-3	Hex. socket head bolt M5X20 WG		2		
065	232847-6	Compression spring 12		1		
066	264027-6	Hex. lock nut M6-10		1		
067	327D17-5	Adjuster sleeve		1		
068	347C06-8	Contact arm		1		
069	216001-0	Steel ball 3.5		1		
070	232417-1	Compression spring 3		1		
071	413X07-5	Adjuster dial		1		
072	327D20-6	Adjuster shaft		1		
073	313673-3	CONTACT TOP		1		
074	213A98-6	O RING 5		2	*	
074-1	213005-3	O-ring 5	O	2		
075	313503-8	Driver guide		1		

076	265D55-8	Hex. socket head bolt M5X12		2		
077	265915-0	Hex. socket head bolt M6X10		1		
078	267214-6	Flat washer 6		1		
079	313504-6	Under driver guide		1		
080	422B13-7	Pusher cushion		1		
081	413X12-2	Magazine cap		1		
082	922212-4	Hex. socket head bolt M5X12		1		
083	1411D9-8	MAGAZINE COMPLETE		1		
C10	8076T9-7	Caution label		1		
084	347C08-4	Nail rail		1		
085	141U43-0	Spiral spring complete		1		
086	256428-2	Shoulder pin 5-8		1		
087	262054-7	Urethane ring 3		1		
088	347C10-7	Pusher		1		
089	234084-8	Compression spring 3		1		
090	413X13-0	Pusher lever		1		
091	256A57-7	Pin 4		1		
092	347C09-2	Lock plate		1		
093	233339-8	Compression spring 3		1		
094	262054-7	Urethane ring 3		1		
095	256A57-7	Pin 4		1		
096	122H94-4	MAGAZINE ASSEMBLY		1		
096		INC. 77-95				
097	8152L8-5	Name plate BN001G		1		
098	8152M0-8	Serial No. label BN001G		1		
A01	141X57-7	Hook assembly		1		
A02	265D55-8	Hex. socket head bolt M5X12		3		
A03	347C14-9	Hook		1		
A04	4133Y2-4	NOSE ADAPTER		1		
A05	783202-0	Hex. wrench 4		1		
A06	821943-1	Plastic case		1		
C10	162271-8	Latch		2		
A07	836532-9	Inner tray		1		
F01	1914P1-6	Extended capacity magazine set		1	*	
F01-1	1917P3-0	EXTENDED CAPACITY MAGAZINE SET	<	1		
F02	1916P4-2	Nose adapter set		1		

Please state Parts No. when your order.

Print Date 02/25/2026